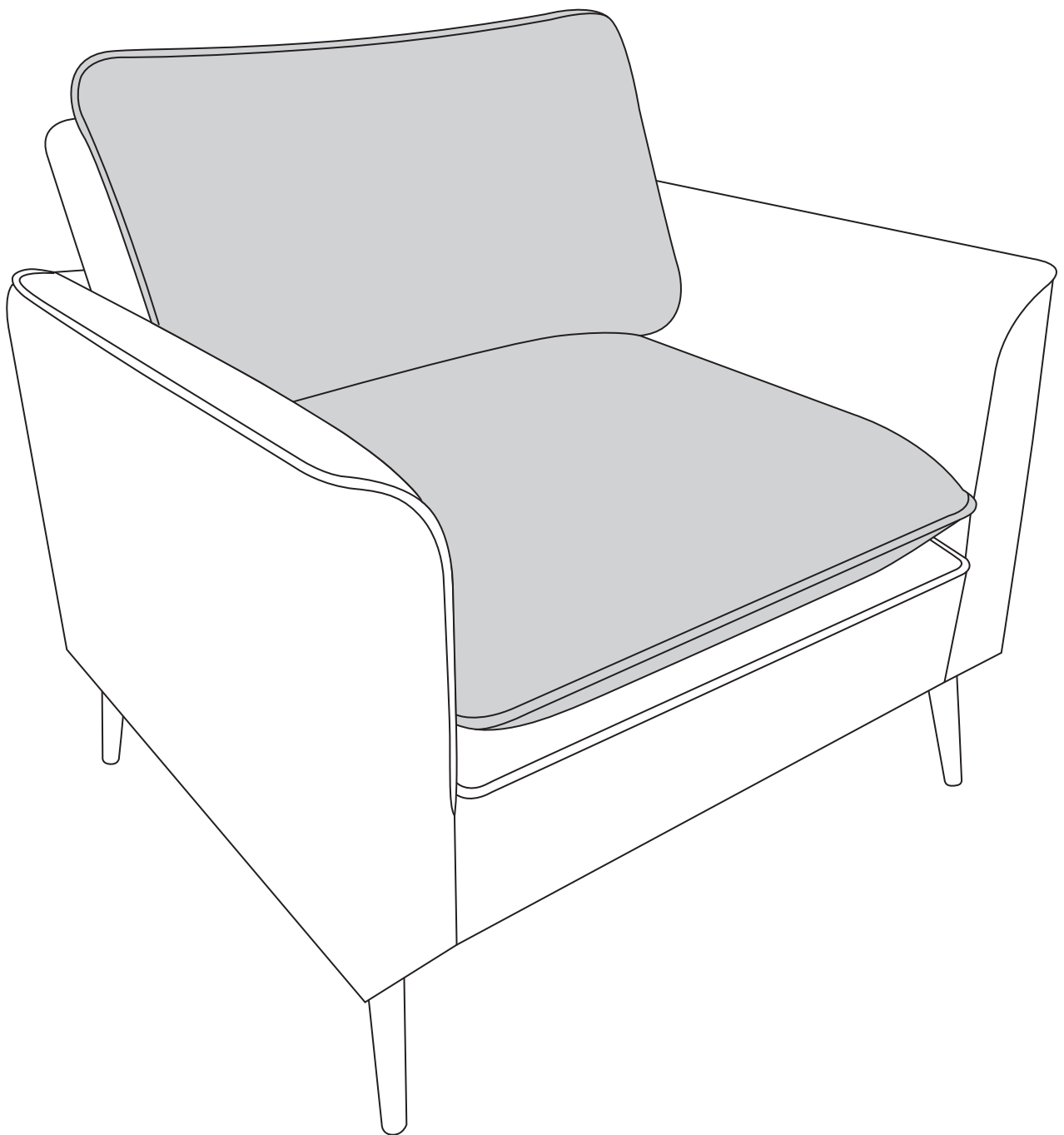


# Assembly Instructions



## Assembly Instructions

### ASSEMBLY REQUIREMENT

**1 PERSON ASSEMBLY | 30 MINUTES ASSEMBLY TIME (APPROXIMATE)**

**TOOLS REQUIRED: ALLEN WRENCHES (PROVIDED)**

### ASSEMBLY REQUIREMENT

1. Remove all packaging materials, staples and packing straps from the carton.
2. Refer to Parts Checklist and ensure they are complete before you start assembling .

### TIPS FOR ASSEMBLY

1. Allow ample room for assembly and in close proximity to where product will be placed.
2. Assemble the product on a surface that does not scratch or damage the exterior and finish of the furniture.
3. During assembly, do not over-tighten any fittings as this may cause damage.
4. **DO NOT USE POWER TOOLS TO ASSEMBLE THIS PRODUCT.**
5. Do not sit or stand on the partially assembled product, only use the product for which it is intended.

### CARE AND USE

- Recommended for indoor and residential use only.
- Wipe with a soft, dry cloth. DO not use harsh abrasives or household cleaners as they may damage the finish.
- Check all the fittings periodically and re-tighten as necessary. Do not use the product if any of the parts is damaged or broken.

### **Accent Chairs Limited Warranty**

**The accent chairs are warranted from the date of purchase against failure due to material and workmanship as follows**

1 YEAR on component parts including screws, pillow and armrests.

1 YEAR on Upholstery fabric and foam against wear and deterioration.

To make a warranty claim, please contact us, provide model number, proof of purchase description of the problem.

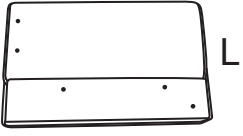
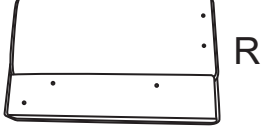
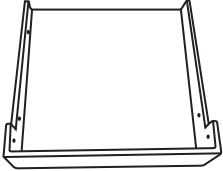
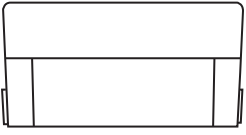
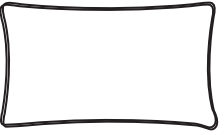







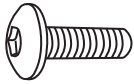
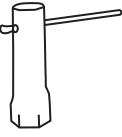

#### **At it's option we will:**

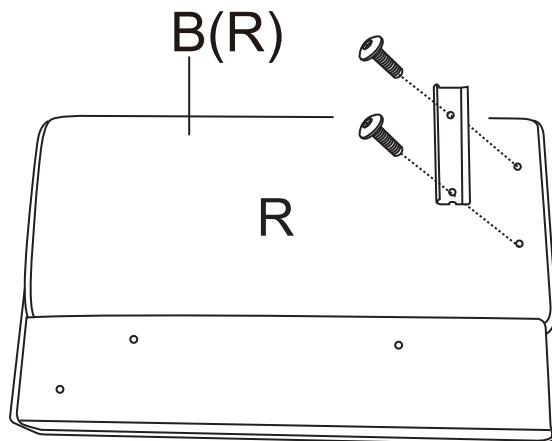
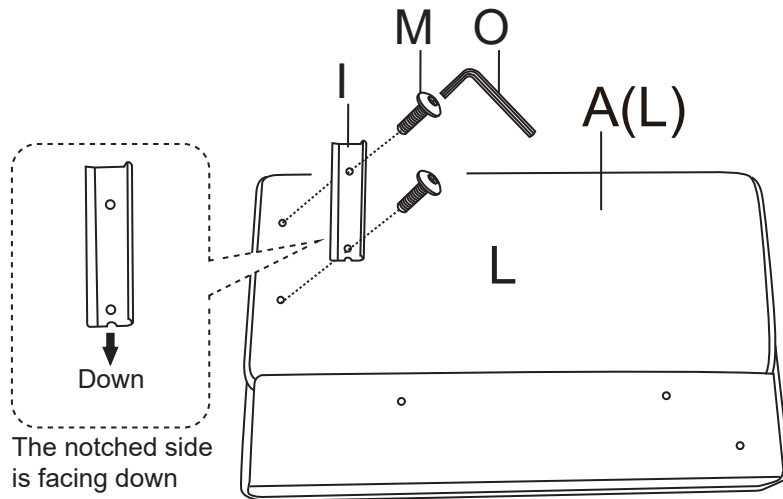
- a) Supply compatible components of current manufacture.
- b) Send a new product if necessary, customer must return the original product to the warehouse. Return freight will be paid by us.

#### **RETURN POLICY**

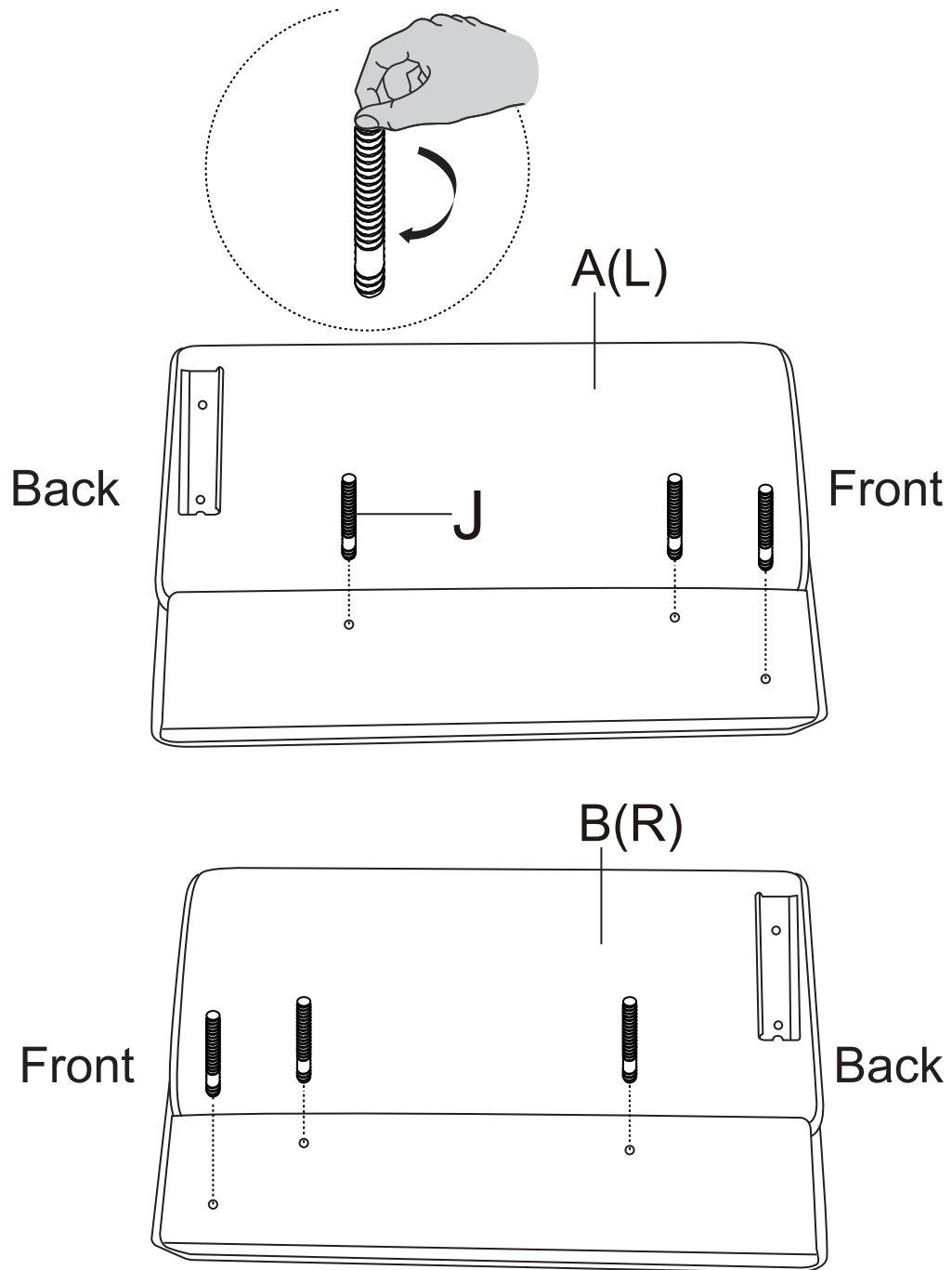
Customers can request to return the item within 30 days of receiving it. Return freight will be paid by us.

PARTS CHECKLIST

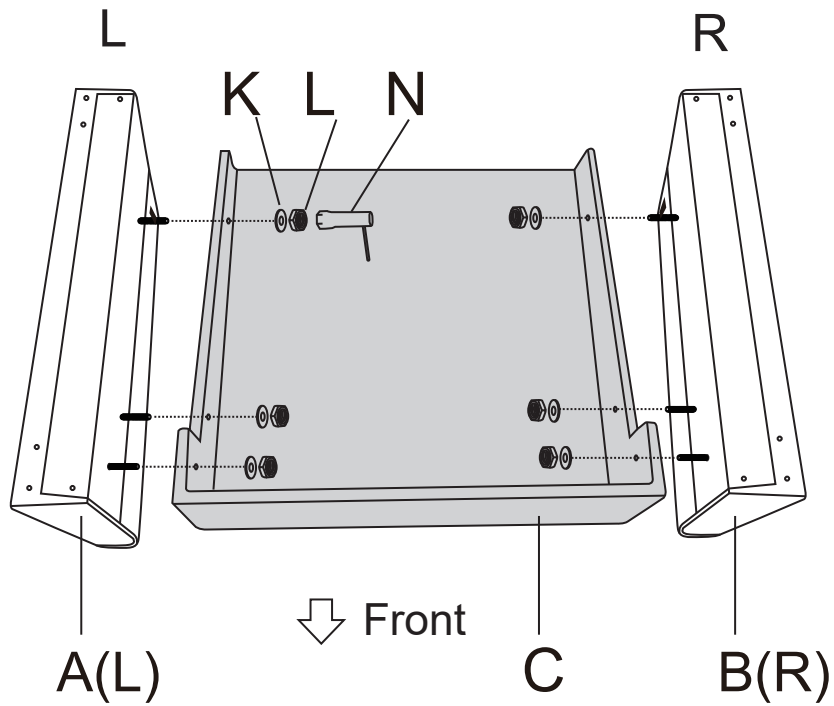
 Ax1	 Bx1	 Cx1	 Dx1	 Ex1
 Fx1	 Gx2pcs	 Hx2pcs	 Ix2pcs	 Jx6pcs
 Kx6pcs	 Lx6pcs	 Mx16pcs	 Nx1	 Ox1



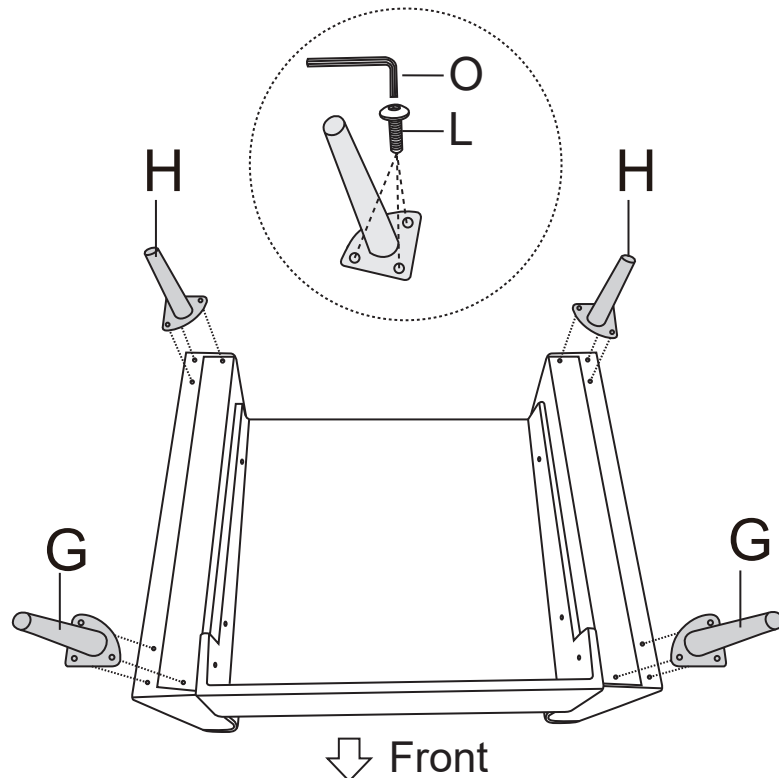
**Step 1:** Attach Slot Ix2(The notched side is facing down) to the Left Armrest A and Right Armrest B with Screws Mx4 by Allen Wrench O.



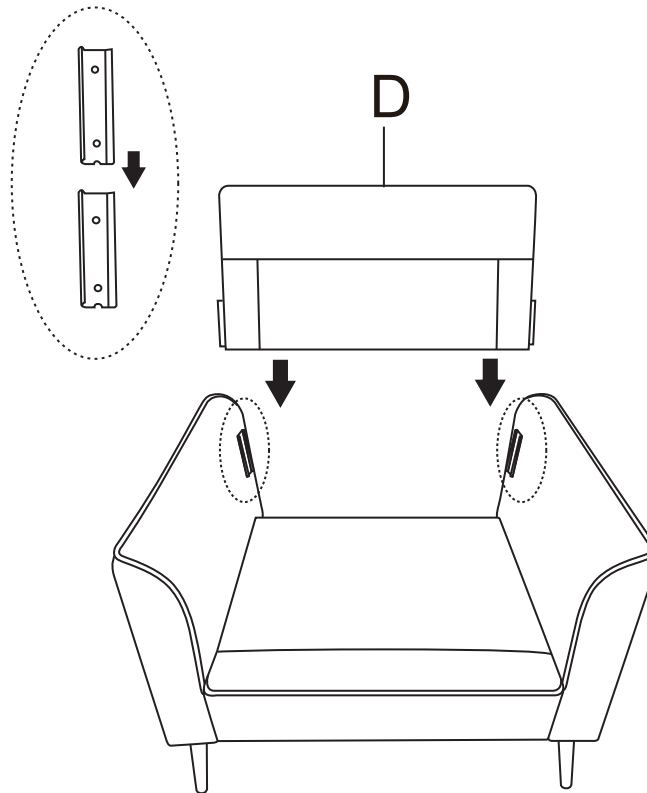
**Step 2:** Attach Screws **Jx6** to the Left Armrest **A** and Right Armrest **B** with hand as picture. The shorter end is facing down.



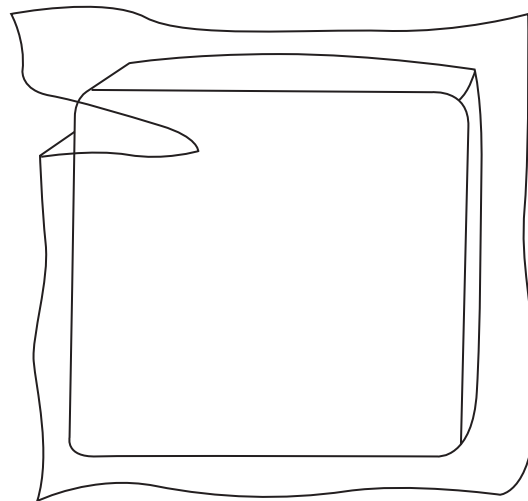
**Step 3 :** Attach Seat **C** to the Left Armrest **A** and Right Armrest **B** with Gasket **Kx6** and Nut **Lx6** by Socket Wrench **N** as the picture.



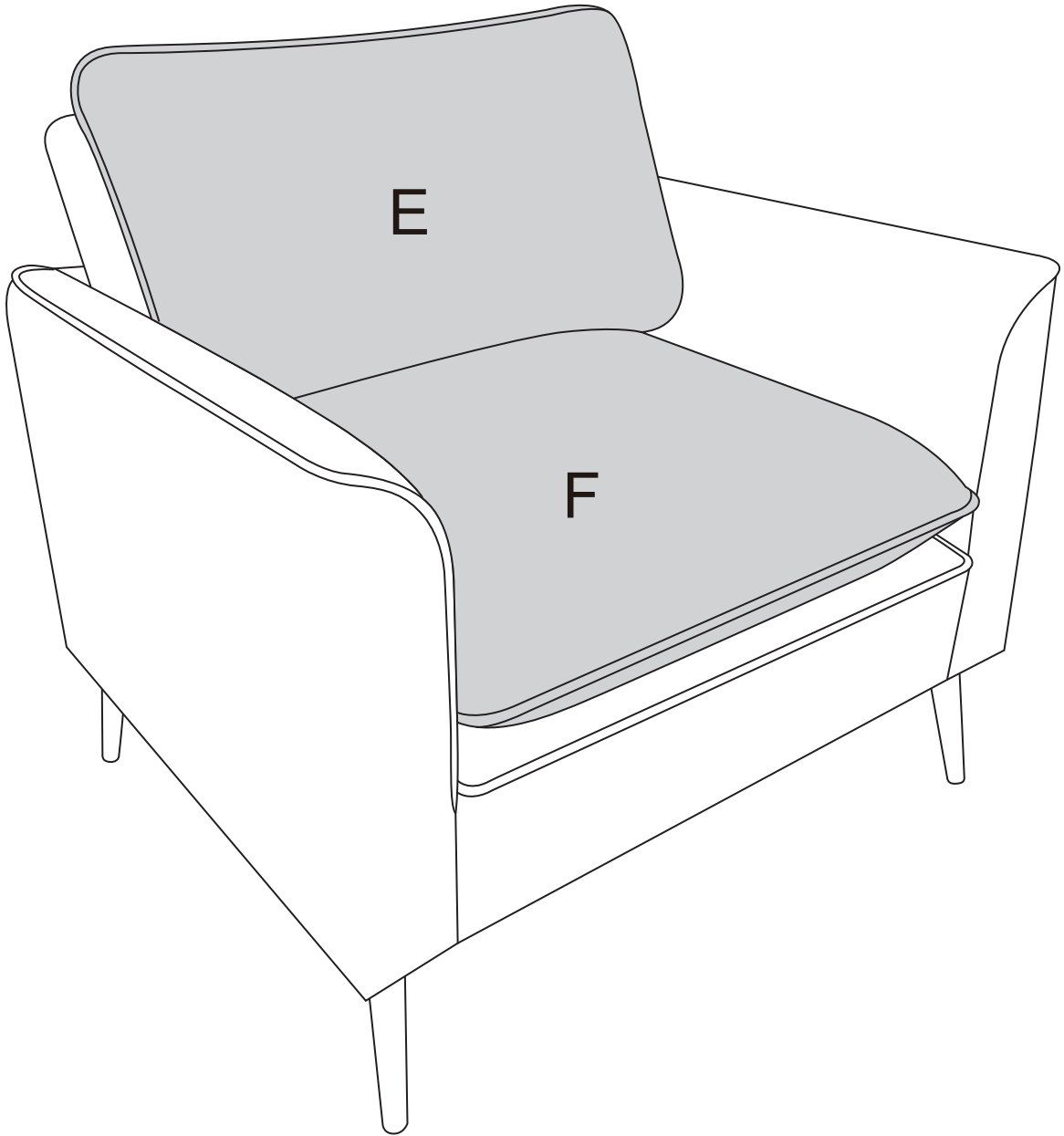
**Step 4 :** Attach Foreleg **Gx2** and Hind Leg **Hx2** with Screws **Mx12** by Allen Wrench **O**.



**Step 5:** Attach the Backrest **D** to the armrest with the slots as picture.



**Step 6:** Take out the Back Cushion **E** and Seat Cushion **F** from the package, knock it to restore the foam inside, the marks on the cushion will gradually disappear itself in 48 hours.



**Step 7:** Put the cushion on the sofa.  
Now, enjoy your new sofa!