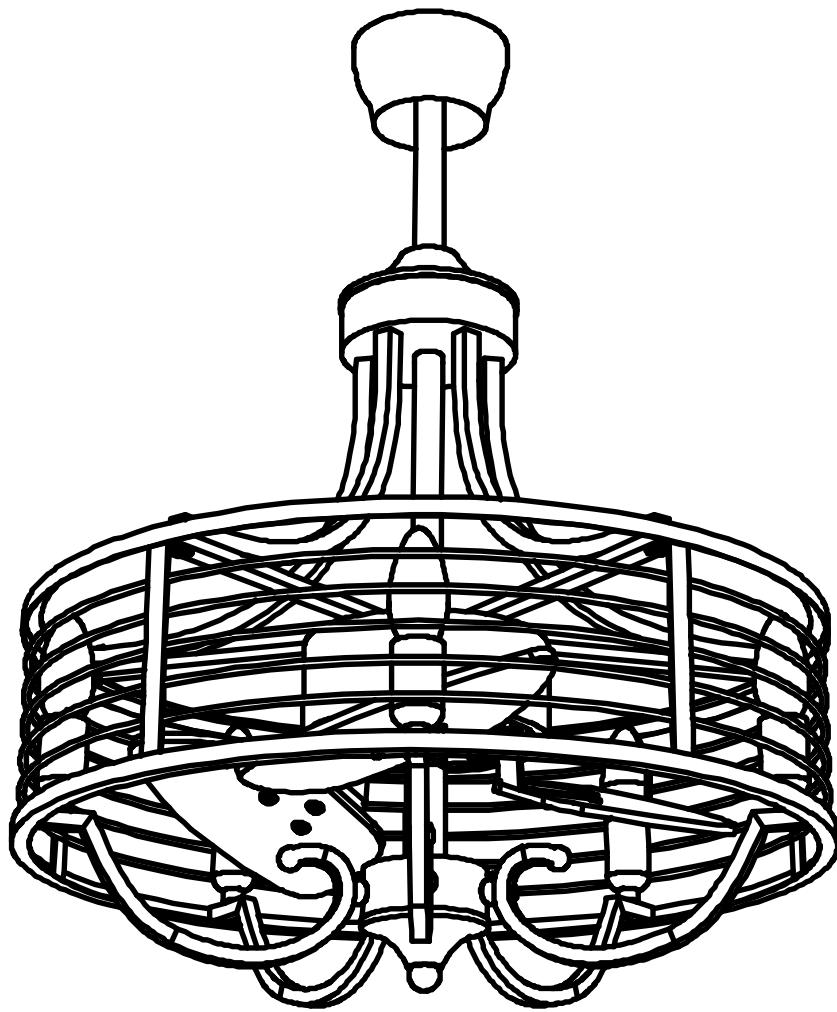


---

# Ceiling Fan With Light

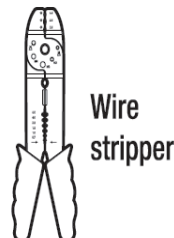
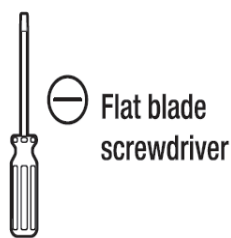
## User Manual



## SAFTY RULES

1. Before starting, turn off the power to the fan at the main circuit panel to reduce the risk of electric shock.
2. All wiring must comply with local or national electrical codes and should be installed by a qualified electrician.
3. When handling fan parts with sharp edges, gloves may be necessary to avoid personal injury.
4. Ensure the installation site allows clear space for the blades to rotate and at least 7 feet (2.13 meters) of clearance between the floor and the tips of the fan blades. Mount the fan so that the tips of the blades are at least 18 inches (45.72 centimeters) from walls or other upright structures.
5. **WARNING:** Only mount the fan to an outlet box marked acceptable for fan support, and use the provided mounting screws. Most outlet boxes for lighting fixtures are unsuitable for fan support and may need replacement. Consult a qualified electrician if unsure.
6. The outlet box and ceiling support structure must be securely mounted and capable of supporting at least 45 kilograms.
7. Be cautious when working around or cleaning the fan to avoid personal injury or damage to the fan and other items.
8. Use a dry dust cloth or lightly dampened cloth for cleaning the fan or fan blades. Do not use water or detergents.
9. After making electrical connections, carefully push the spliced conductors upward into the outlet box. Spread the wires apart with the grounded conductor and equipment-grounding conductor on one side of the outlet box.
10. Electrical diagrams are for reference only.
11. The fan can be installed in indoor spaces or in covered outdoor areas such as patios, screened porches, and sunrooms.

## TOOLS REQUIRED



This manual is designed to make it as easy as possible for you to assemble, install, operate and maintain your ceiling fan.

## Materials

### ⚠ WARNING

Before you start putting together your ceiling fan, be sure to check out the section on the correct wiring process for your fan (page 4). If you're not confident in your wiring skills or don't have enough experience, it's a good idea to have a licensed electrician install your fan for you

The wiring outlet box and box connectors should meet the specifications outlined in the local building code. For the minimum wire, a 3-conductor (2-wire with ground) of the appropriate size must be used as per the guidelines.

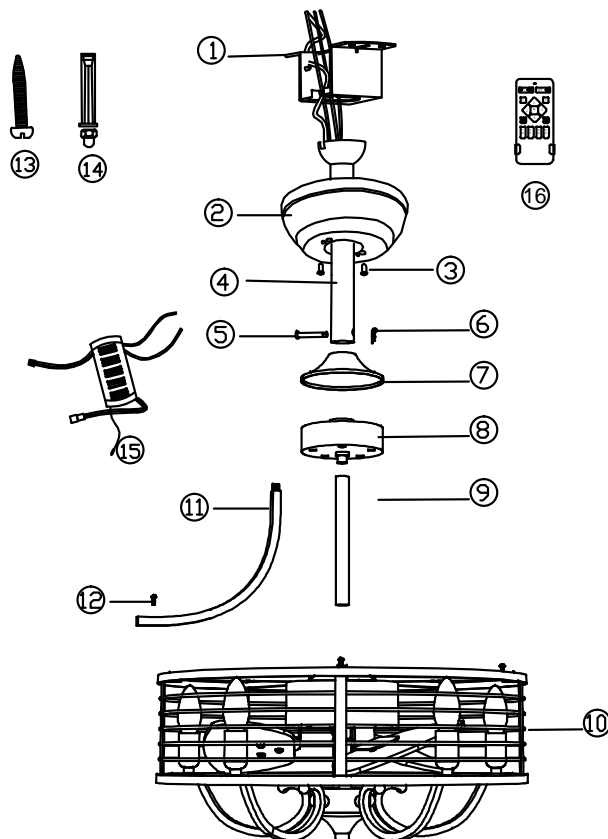
<u>Installed Wire Length</u>	<u>Wire Size A.W.G</u>
Up to 50 ft	14
50-100 ft	12

Note: Put loose parts into a small container to prevent loss. If you lose any parts, please contact a nearby hardware store.

## Package Includes

Check to see that you have received the following parts:

Note: Some parts are already installed on the fan, not all scattered



1. Mounting Bracket
2. Canopy
3. Canopy Screws
4. 5 & 8 inches Downrod
5. Cross Pin
6. Clamp Pin
7. Splice Closure
8. Box
9. link lever
10. Motor Body
11. Lamp arm
12. Lamp arm screw
13. Self tapping screw
14. Expansion Screws
15. Receiver
16. Hand-held Remote

# INSTALL THE FAN

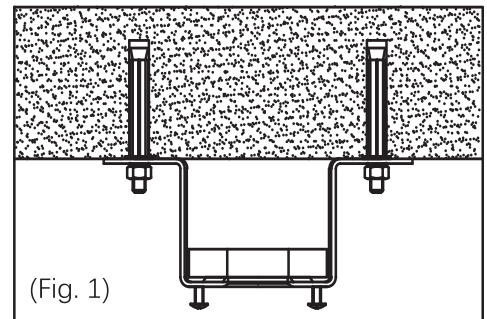
Tools Required: Phillips Screwdriver, Pair of Pliers, Straight slot screwdriver, Adjustable Wrench, Step Ladder and Wire Cutters.

## INSTALL THE MOUNTING BRACKET

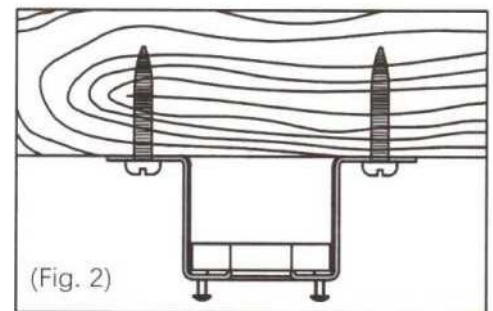
For your own safety and to prevent damage, please make sure that the blade has a clearance of 7 feet (2.13 meters) from the floor and 18 inches (45.72 centimeters) from any wall or obstacle at the hanging location.

If a CUL listed mounting box does not exist there, please follow the instructions below:

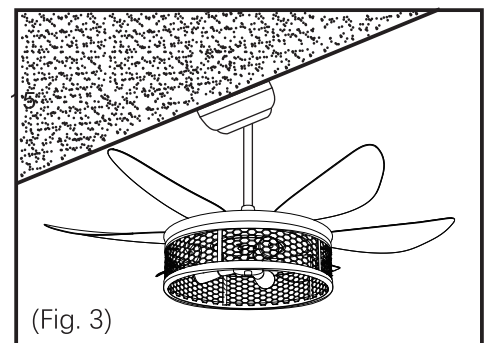
1. For the concrete ceiling: start by marking the location for it. Next, drill two holes in the ceiling to help secure the ceiling bracket using the two expansion screws provided. Finally, fasten the mounting bracket to the building strture using the two expansion screws provided, and tighten them securely. (Fig. 1)



2. For the wood ceiling: start by marking the location for the ceiling fan. Then, use the four wood screws provided to securely attach the mounting bracket to the building structure. (Fig.2)



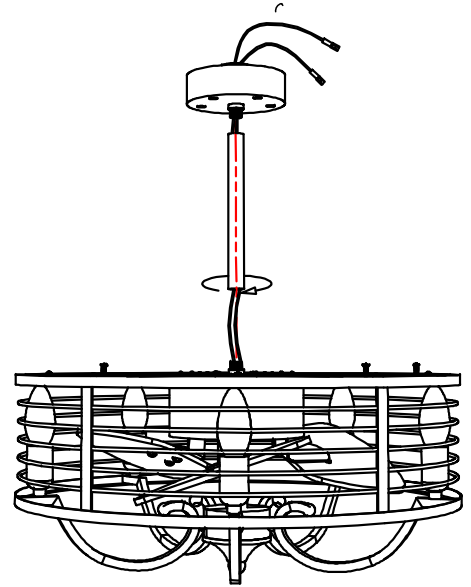
3. Please see Fig.3 for instructions on how to mount when the ceiling is angled at a maximum of 15 degrees.



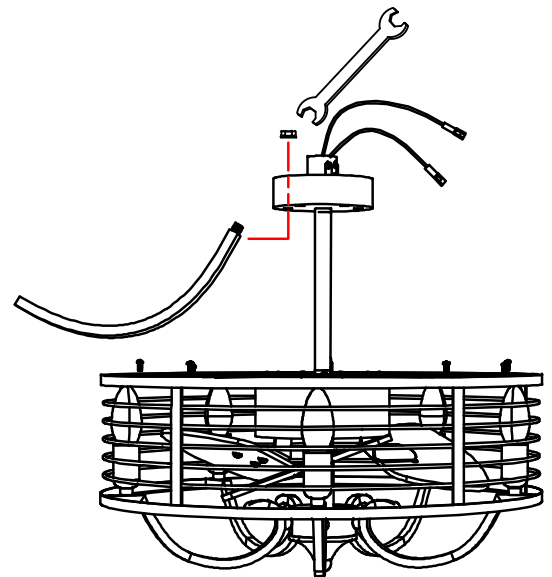
NOTE: The hanger installed must be capable of supporting a weight of 45 kg or more.

# How to Install Your Ceiling Fan

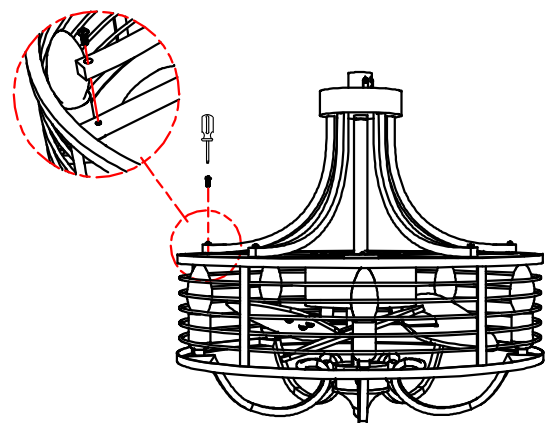
1. After threading the fittings through the wires in turn, Twist the connecting rod clockwise with the box and secure it



2. Thread the light arm through the box and secure it with a nut



3. Fix the lamp arm with screws

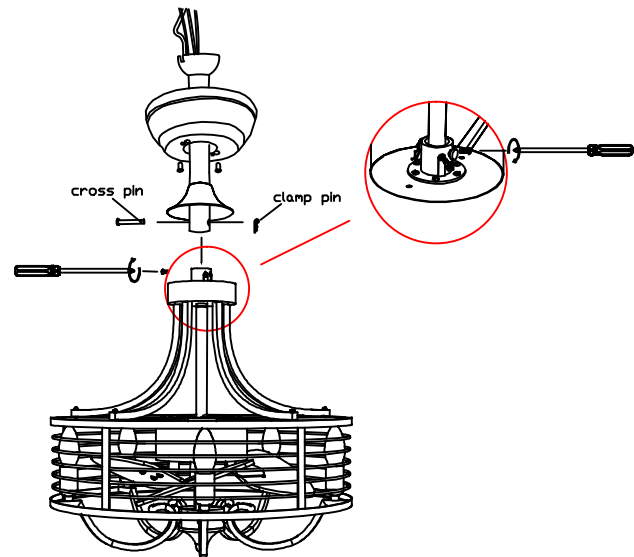


## INSTALL THE DOWNROD

Make sure you switch off the power before you begin.

Here's how to properly install your fan:

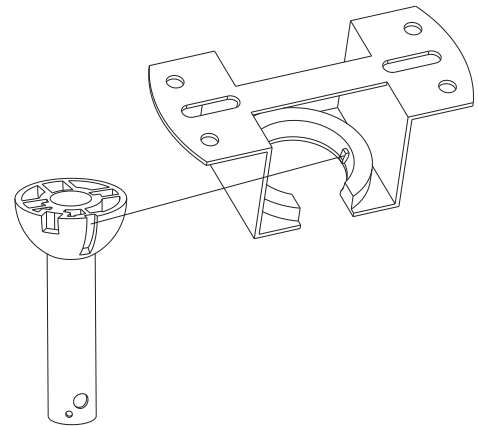
1. Take off the locking pin and hitch pin from the downrod.
2. Place the downrod assembly into the canopy and coupling cover, and carefully guide the motor wires through the downrod assembly.
3. Loosen the two set screws in the downrod coupling.
4. Insert the downrod into the coupling, then install the coupling lock pin through both the coupling and downrod. Slide the hitch pin into the cross pin until it clicks into place. Tighten the set screws in the coupling. Finally, slide the coupling cover over the downrod coupling.



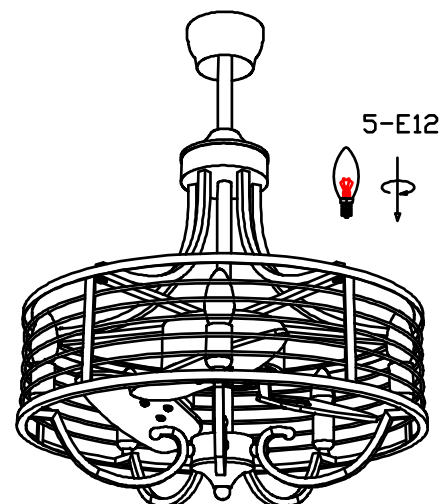
## CHANGE DOWNROD (OPT)

The Ceiling Fan comes with an 8-inch standard downrod that's preassembled and attached to the hanger ball. For low ceilings, we've also included a shorter 4-inch downrod. If you require a different downrod length, here's what you can do:

1. Remove the set screw to loosen the downrod.
2. Slide the downrod off and take out the pin.
3. Reinstall the pin into the extended downrod and attach the downrod to the hanging bracket.
4. Secure the ball to the downrod by reinstalling the set screw.

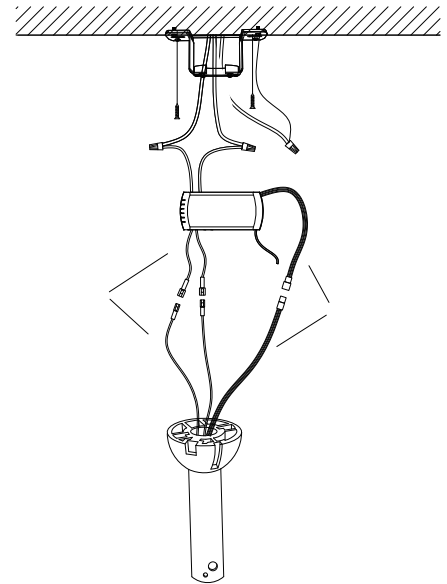


## 5. Install light source

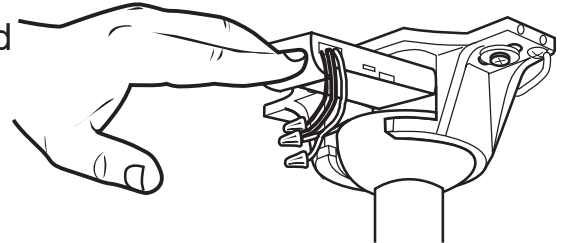


## WIRING WITH REMOTE RECEIVER

Connect the wiring from your home and the motor to the remote receiver as illustrated. Use the wire connectors (included) to make the connections.

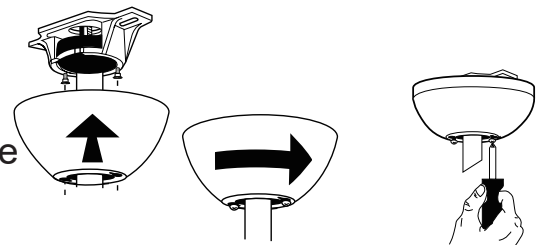


After finishing the wiring process, insert the wired remote receiver between the mounting bracket and the top of the downrod ball.



## SECURE THE CANOPY

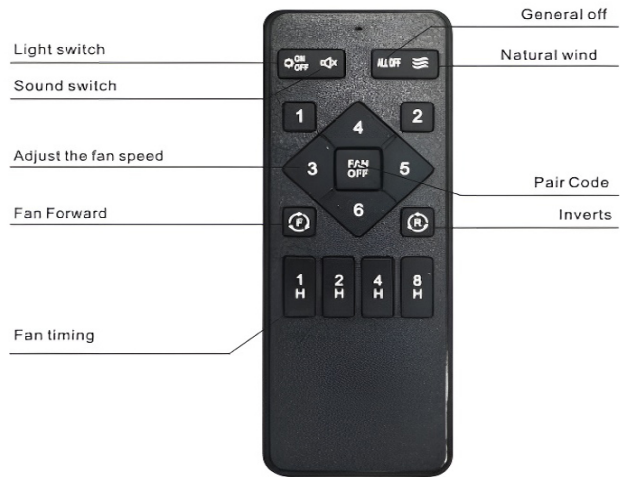
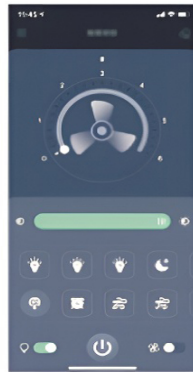
Lift the canopy and line up the keyholes on the underside of the canopy with the two screws on the mounting bracket. Turn the canopy until both screws from the mounting bracket fit into the slots. Make sure to tighten the screws firmly.



# APP and Remote Control Instructions



Scan and download the APP



Battery type

7#1.5V\*2

1 Turn on the power switch, hear the "Beep" within 3 seconds after a long press "FAN OFF" key, the receiver issued "Beep" two sound, on the code success. If there is no successful code, turn off the power and wait one minute to repeat the operation.

## Warning Sign

Remote control can not be effectively controlled please check the battery long-term non-use please remove the battery.

## Notes:

1. The receiver can not be mounted upside down so as not to affect the cover and ceiling.
2. The receiver is divided into input and output. It is forbidden to switch the input and output.
3. Working Voltage of this product: **AC: 110V-245V**
4. **If there is a wall switch on the fan it must be on in order to control effectively**
5. Please connect the wires according to the color of the wires and the instructions on the bushing
6. When using the remote control, please check whether the battery (note the positive and negative pole of the battery), the handle control key, the indicator light will flash when you press each key.

Battery type

7#1.5V\*2

BLACK INPUT FIRE LINE L

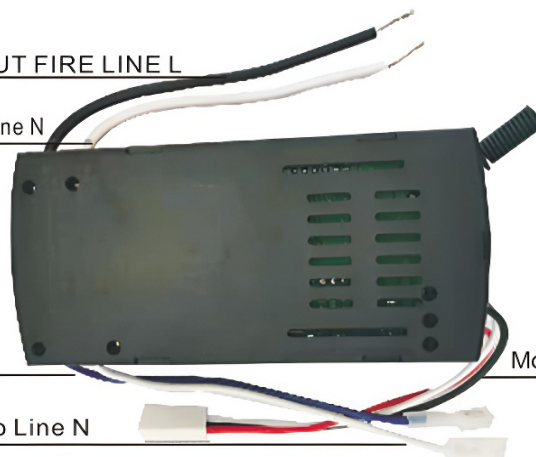
White Input Zero Line N

Antenna

Blue Line offire L

White Output Zero Line N

Motor output line: UVW phase line



# Troubleshooting

## **WARNING**

To ensure your safety, before attempting to troubleshoot, switch off the power supply at the fuse box or circuit breaker.

Trouble	Probable Cause	Suggested Remedy
<p><b>1. FAN WILL NOT START</b></p>	<ol style="list-style-type: none"> <li>1. The fuse or circuit breaker has tripped.</li> <li>2. There may be loose connections in the power lines to the fan or in the switch housing.</li> <li>3. The remote control's battery may be dead.</li> </ol>	<ol style="list-style-type: none"> <li>1. Check the fuses or circuit breakers for the main and subsidiary circuits.</li> <li>2. Check the connections of the line wires to the fan and the switch wires inside the switch housings.</li> </ol> <p><b>WARNING:</b> Ensure that the main power supply is switched off!</p> <ol style="list-style-type: none"> <li>3. Install the new battery.</li> </ol>
<p><b>2. FAN SOUNDS NOISY</b></p>	<ol style="list-style-type: none"> <li>1. Motor housing screws are loose.</li> <li>2. Connectors inside the housing are making a rattling noise.</li> <li>3. Solid state variable speed control is causing the motor to be noisy.</li> </ol>	<ol style="list-style-type: none"> <li>1. Ensure all screws in the motor housing are tight (but avoid over-tightening).</li> <li>2. Make sure wire connectors in the switch housing are not making any noise by rubbing against each other or the switch housing's interior wall.</li> </ol> <p><b>WARNING:</b> Make sure to turn off the main power!</p> <ol style="list-style-type: none"> <li>3. Some fan motors may be affected by solid-state variable speed controls. It's best to choose a different control method instead of solid-state control.</li> </ol>
<p><b>3. FAN WOBBLER EXCESSIVELY</b></p>	<ol style="list-style-type: none"> <li>1. The setscrew on the support for lowering the fan is loose.</li> <li>2. The setscrew on the downrod/hanger ball assembly is loose.</li> <li>3. The hanger bracket and/or ceiling outlet box are not securely fastened.</li> </ol>	<ol style="list-style-type: none"> <li>1. Securely tighten both setscrews in the downrod support.</li> <li>2. Tighten the setscrew in the hanging plate assembly.</li> <li>3. Tighten the hanger bracket screws to the outlet box and securely fasten the outlet box.</li> </ol>

## Maintenance

1. Periodic cleaning of your new ceiling fan is the only maintenance that is needed. When cleaning use only a soft brush or lint free cloth to avoid scratching the finish. Abrasive cleaning agents are not required and should be avoided to prevent damage to finish.

### CAUTION

Do not use water to cleaning your ceiling fan. It could damage the motor or the finish and create the possibility of electrical shock.