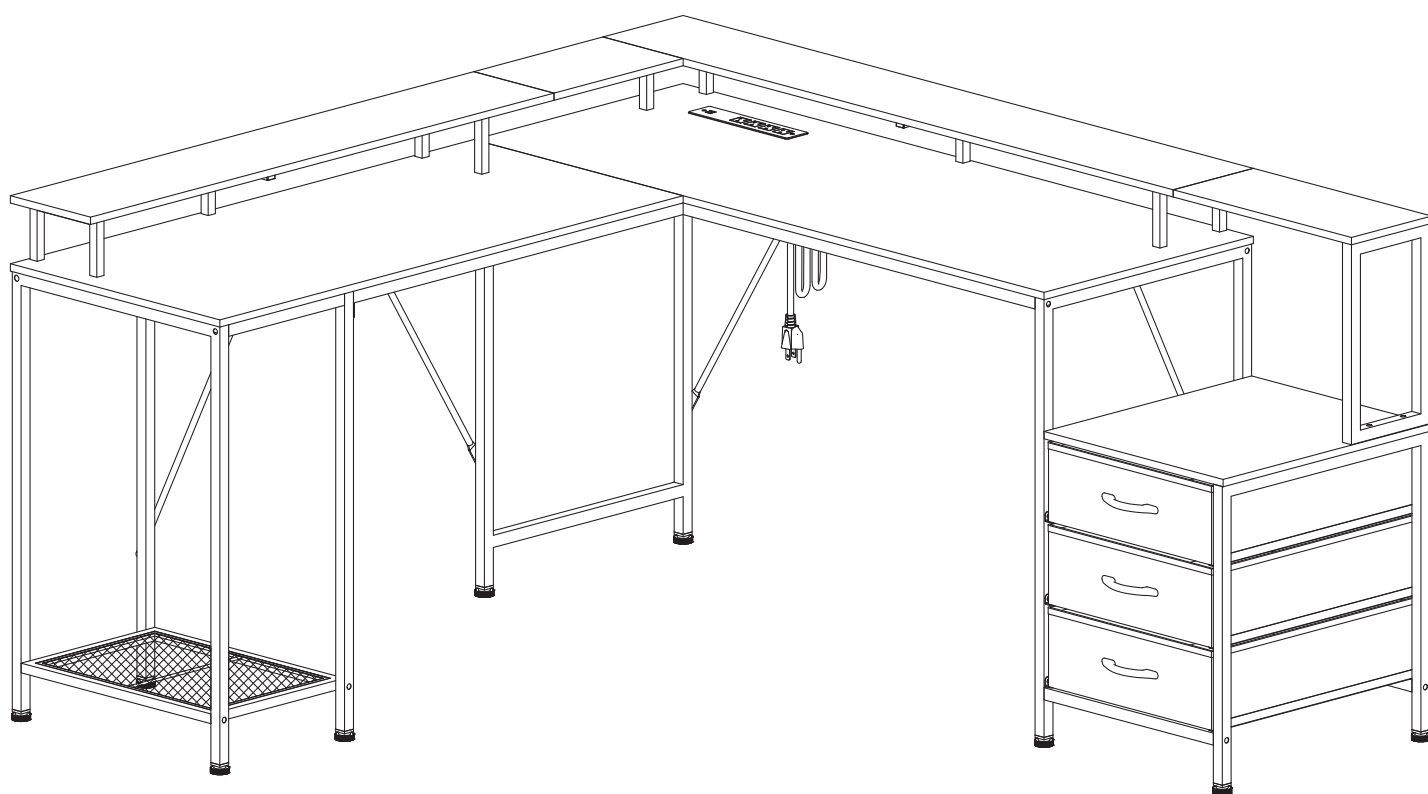


# INSTRUCTION MANUAL



To live

————— ■ To love

—————  
To laugh

## ABOUT US

...

Some moments may cure you of everything.

Derive and convey happiness and contentment to every family.

Is devoted to creat-ing a cosy corner at home.

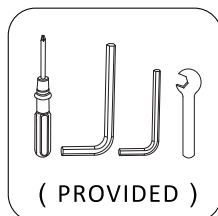
Surrounded by pieces of furniture you love, and relax in mind.

We hope moments can free you from a busy life. And creating a satisfying home corner, we believe, doesn't mean it costs much. That's why always focus-es on high-quality, practical, and reasonably-priced products.

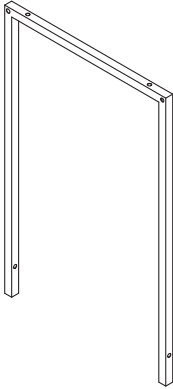
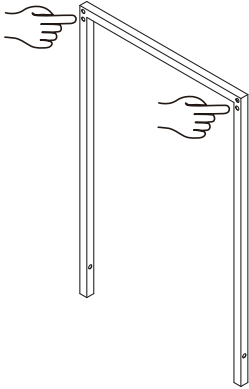
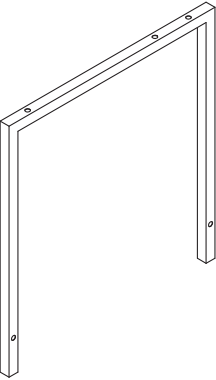
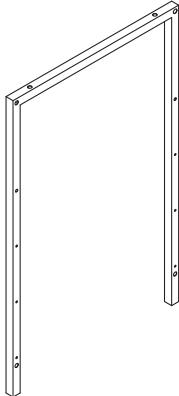
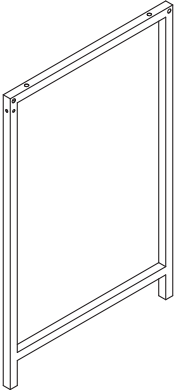
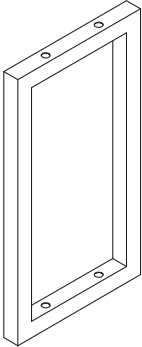
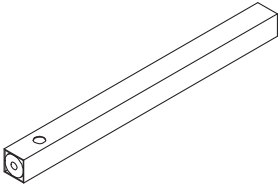
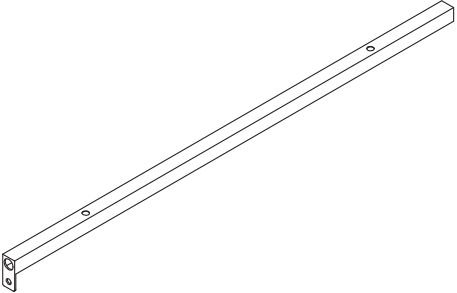
# MATTERS NEEDING ATTENTION

---

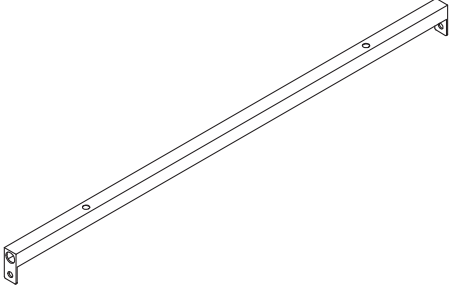
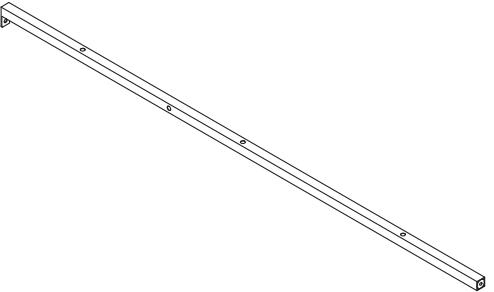
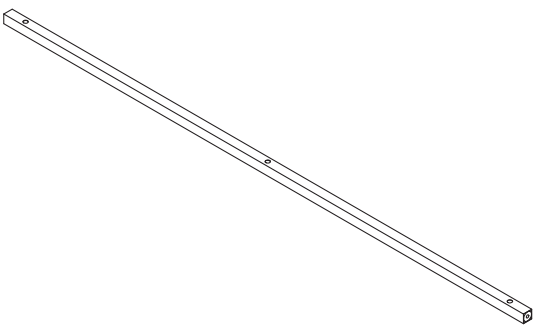
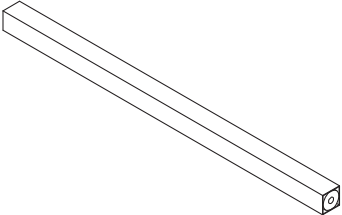
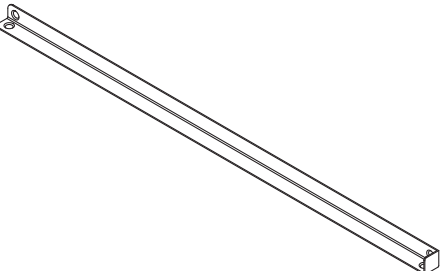
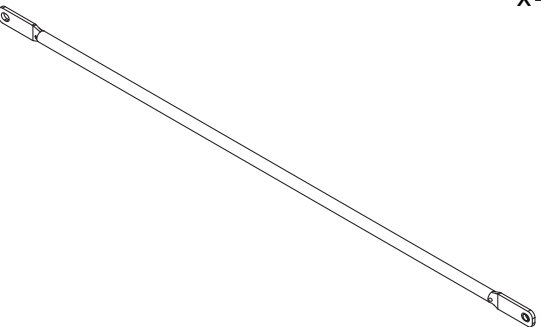
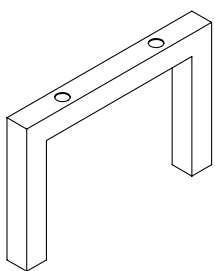
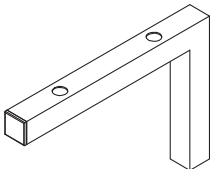
- You need a helper to finish the installation.
- Don't over-tighten the screws until all the parts are in place. Failure to follow the instructions may cause misalignment of the screws.
- DO NOT let children climb the product.
- To avoid suffocation danger, keep small parts and package materials away from children.
- Adult assembly required. Keep children away during the installation.
- Children should not use it without parents' supervision.
- You could use "corner guard" to protect children from getting hurt by the edges.
- If any parts were missing, broken or wrongly delivered, contact us immediately we are here to help you.



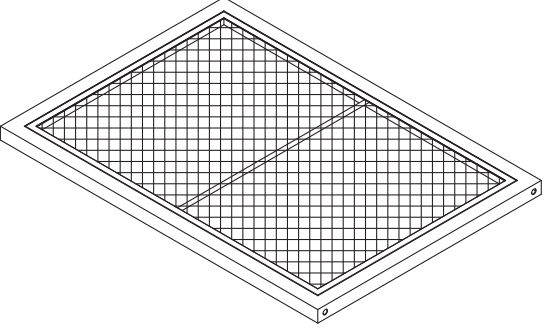
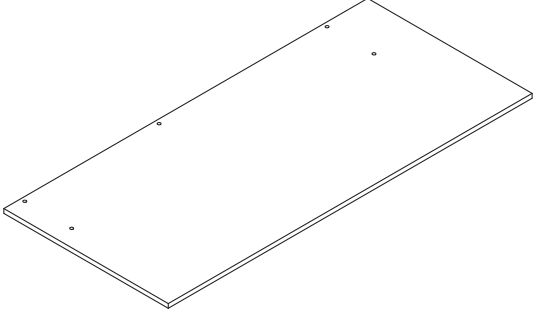
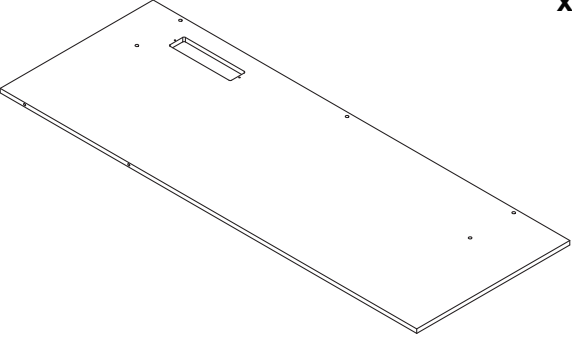
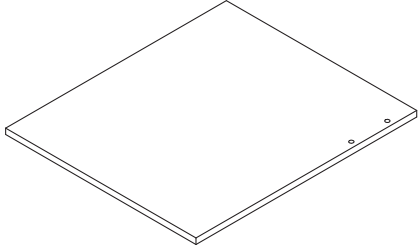
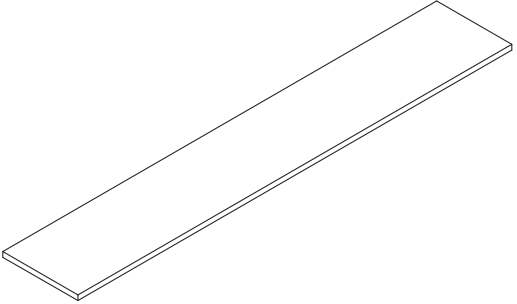
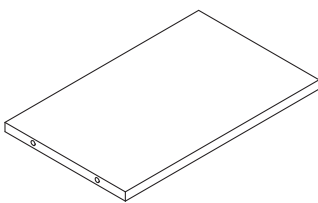
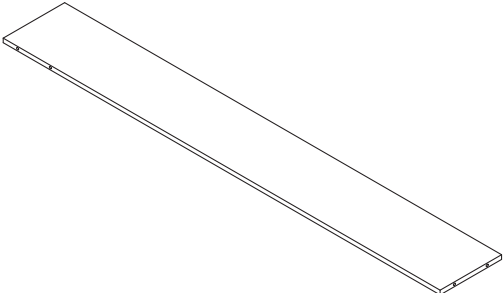
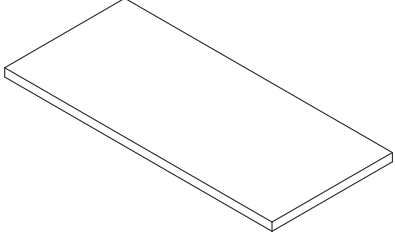
# PART LIST

<p><b>1</b></p>  <p>x1</p>	<p><b>2</b></p>  <p>x1</p>
<p><b>3</b></p>  <p>x1</p>	<p><b>4</b></p>  <p>x1</p>
<p><b>5</b></p>  <p>x1</p>	<p><b>6</b></p>  <p>x1</p>
<p><b>7</b></p>  <p>x2</p>	<p><b>8</b></p>  <p>x1</p>

# PART LIST

<p><b>9</b> x1</p> 	<p><b>10</b> x1</p> 
<p><b>11</b> x1</p> 	<p><b>12</b> x2</p> 
<p><b>13</b> x6</p> 	<p><b>14</b> x4</p> 
<p><b>15</b> x4</p> 	<p><b>16</b> x2</p> 

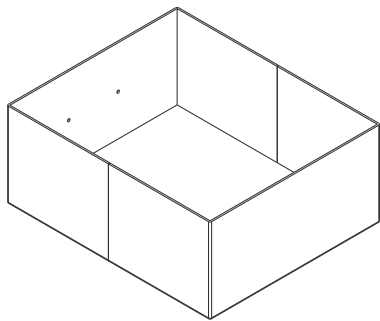
# PART LIST

<p><b>17</b> x1</p> 	<p><b>18</b> x1</p> 
<p><b>19</b> x1</p> 	<p><b>20</b> x1</p> 
<p><b>21</b> x1</p> 	<p><b>22</b> x1</p> 
<p><b>23</b> x1</p> 	<p><b>24</b> x1</p> 

**PART LIST**

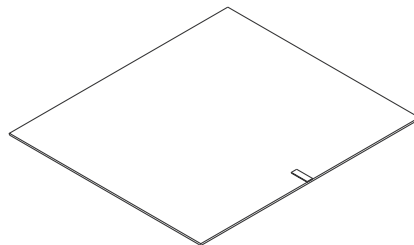
**25**

**x3**

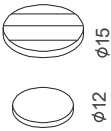
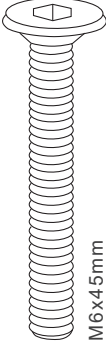
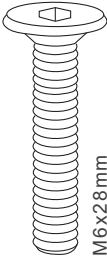
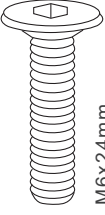
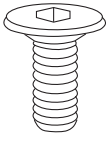

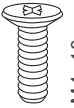

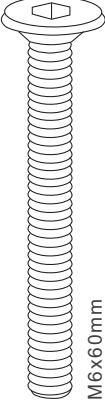
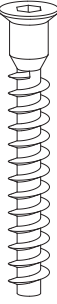
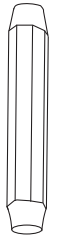
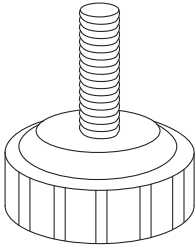


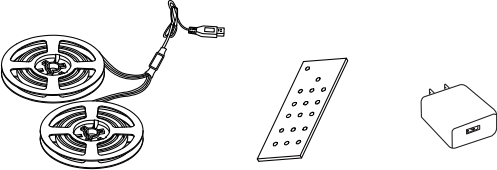
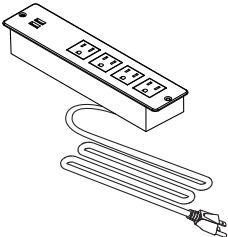


**26**

**x3**



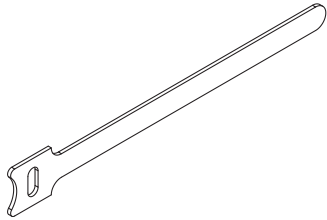
# PART LIST

<p><b>A</b></p>  <p>φ15 φ12</p> <p>x6+4</p>	<p><b>B</b></p>  <p>M6x45mm</p> <p>x18+2</p>	<p><b>C</b></p>  <p>M6x28mm</p> <p>x23+2</p>	<p><b>D</b></p>  <p>M6x24mm</p> <p>x12+2</p>	<p><b>E</b></p>  <p>M6x10mm</p> <p>x24+2</p>	<p><b>F</b></p>  <p>ST3.5x12mm</p> <p>x2+1</p>	<p><b>G</b></p>  <p>M4x10mm</p> <p>x6+1</p>	<p><b>H</b></p>  <p>M4x10mm</p> <p>x12+2</p>	<p><b>I</b></p>  <p>M6x60mm</p> <p>x2+1</p>
<p><b>K</b></p>  <p>ST5x40mm</p> <p>x2+1</p>	<p><b>L</b></p>  <p>φ6x30mm</p> <p>x8+1</p>	<p><b>M</b></p>  <p>M6</p> <p>x10</p>	<p><b>N</b></p>  <p>M6</p> <p>x2+1</p>	<p><b>O</b></p>  <p>x3</p>				
<p><b>P</b></p>  <p>P-1      P-2      P-3</p> <p>x1</p>	<p><b>Q</b></p>  <p>x1</p>							

# PART LIST

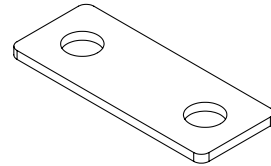
**R**

x1



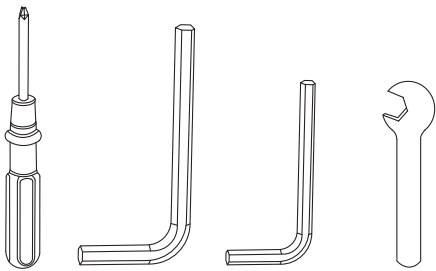
**S**

x6



**T**

x1

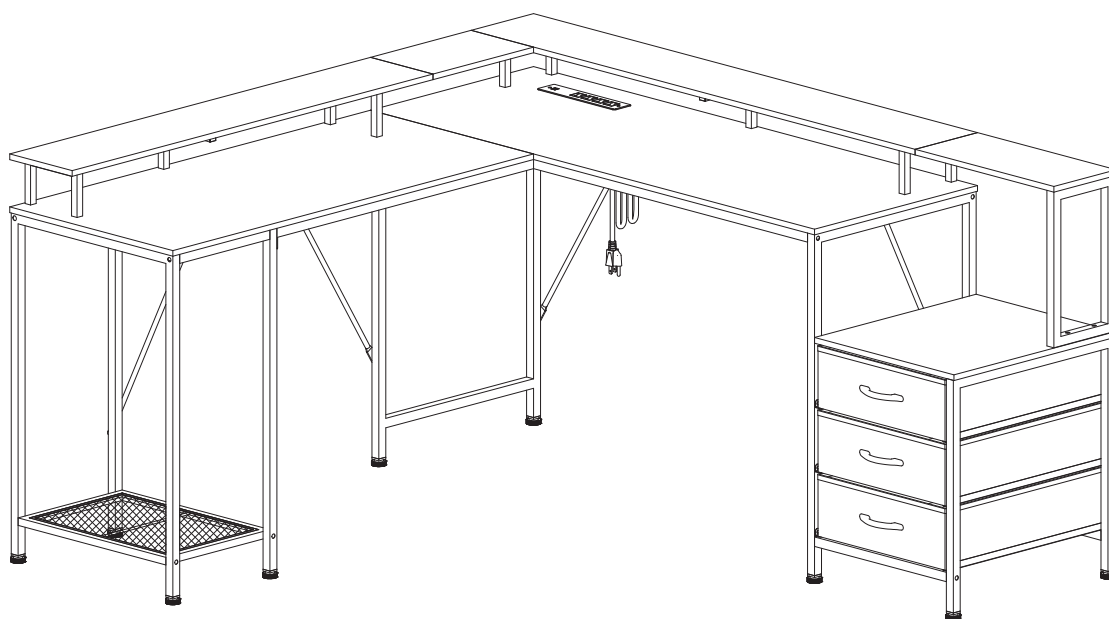


# ASSEMBLY INSTRUCTION

To better adapt to your home layout and environment, we provide 2 installation methods for you to choose from. There may be extra screw holes after installation, please do not worry.

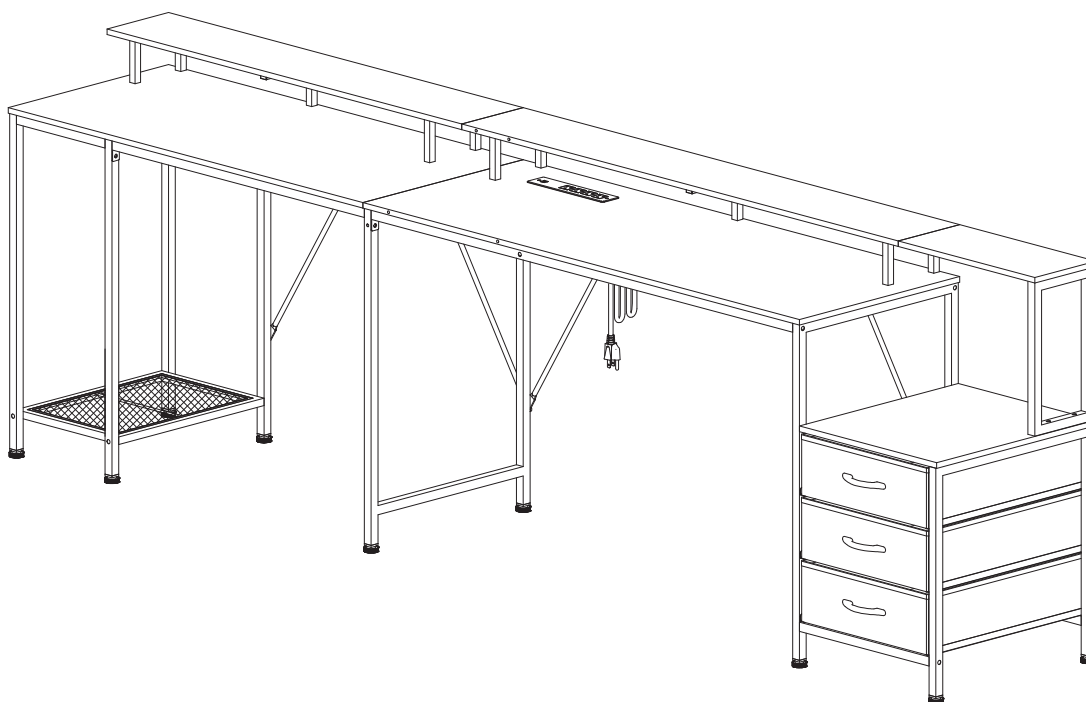
1

----- Page 09-25



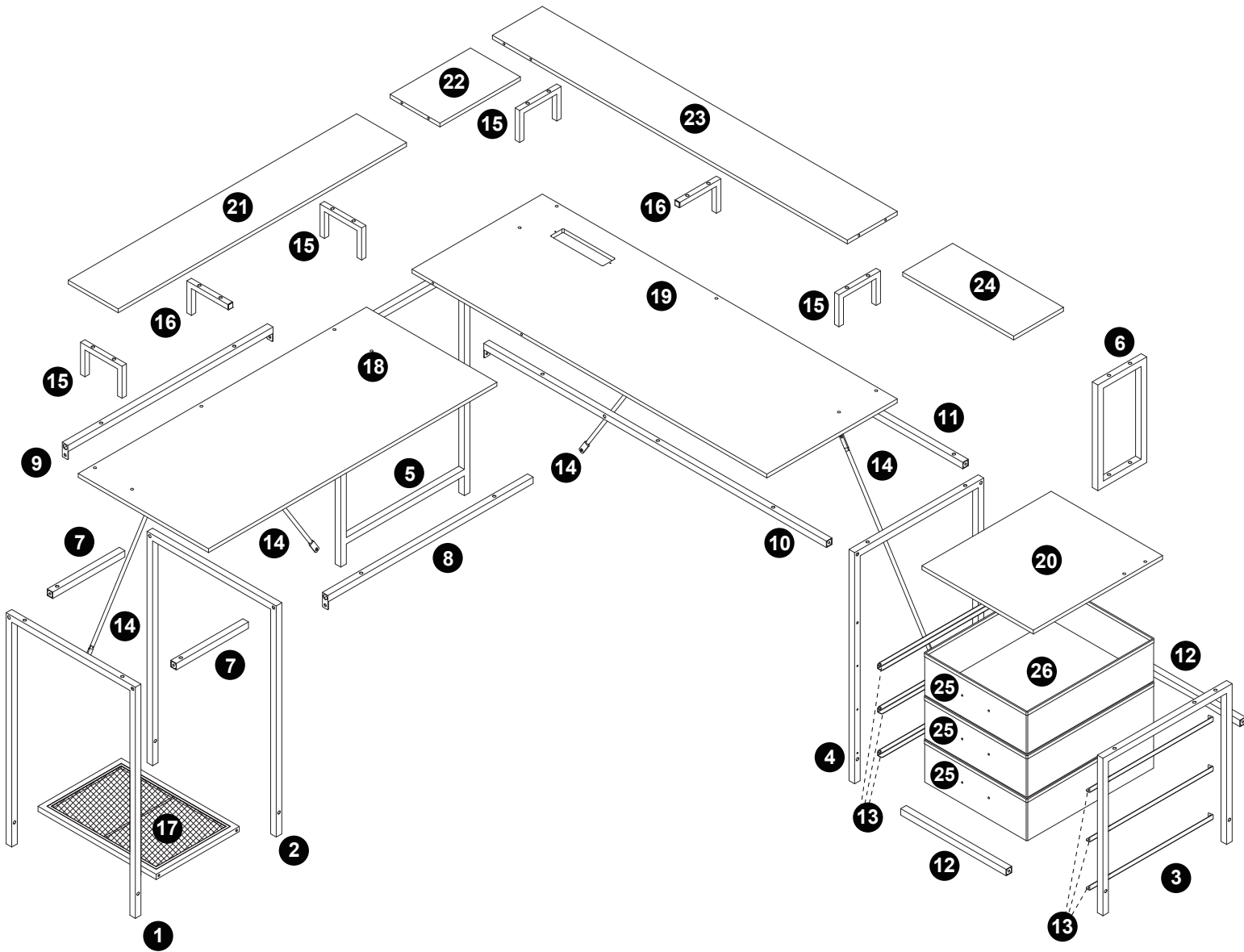
2

----- Page 26-44



# ASSEMBLY INSTRUCTION 1

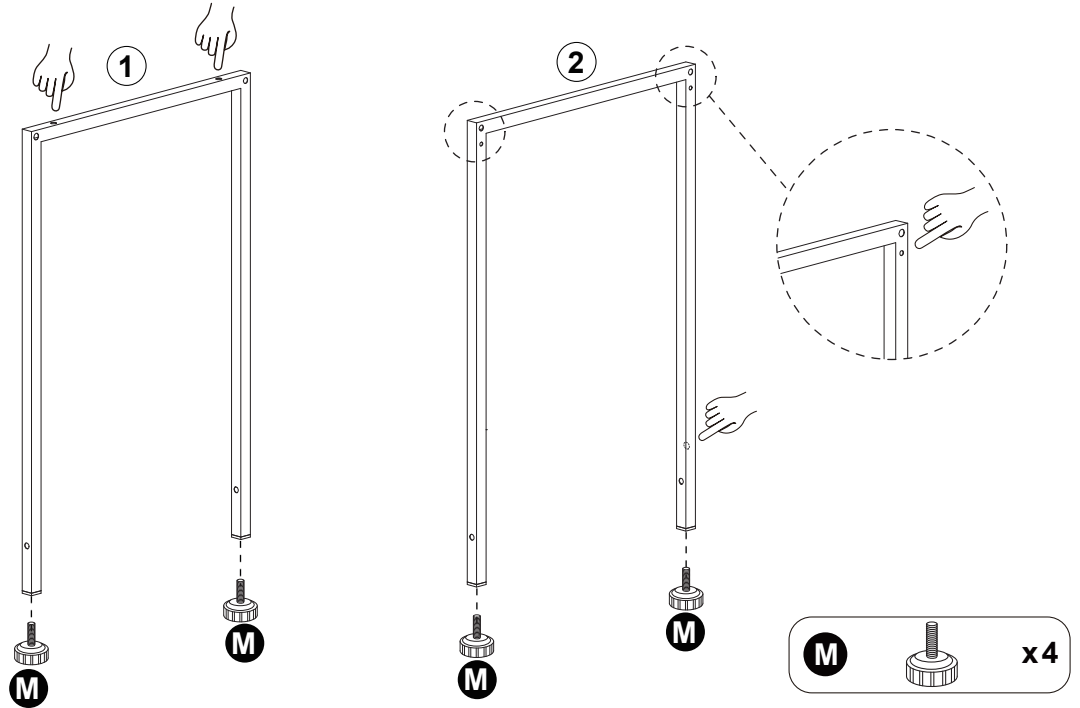
Note: Don't over-tighten all the screws until all the parts are in place.



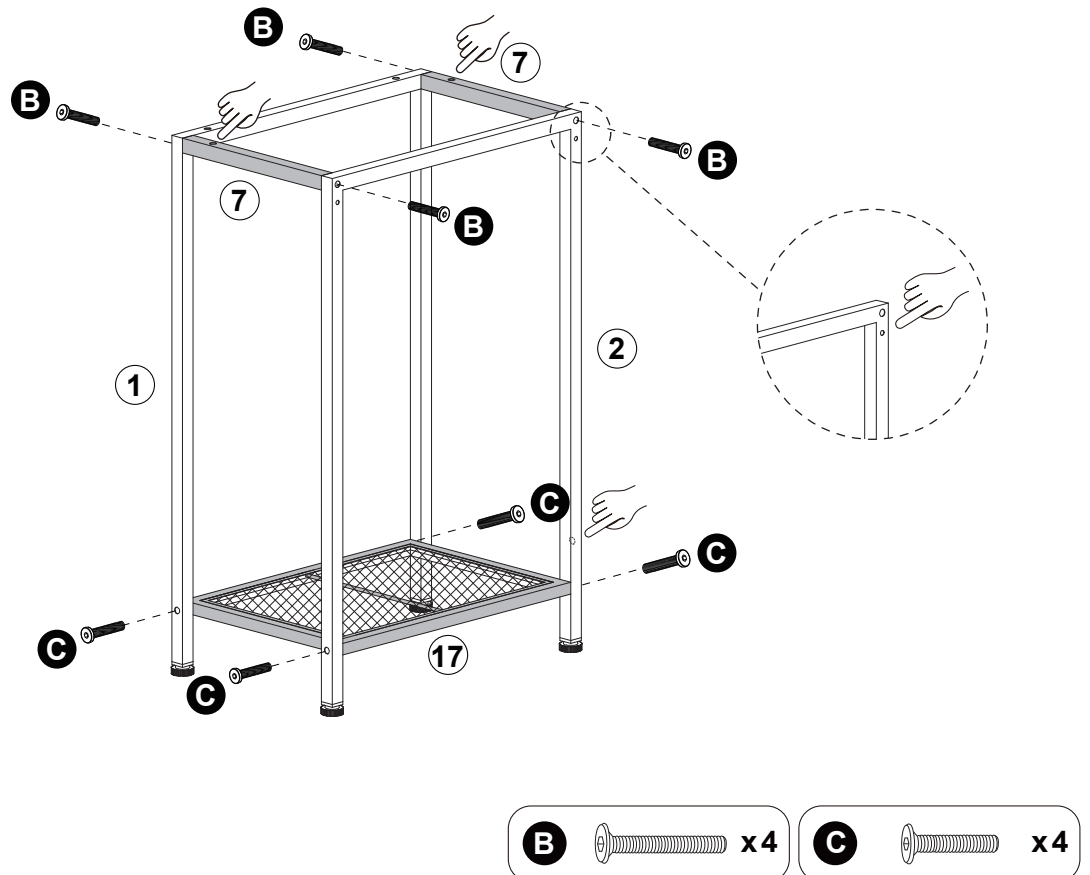
# ASSEMBLY INSTRUCTION 1

1

Note that there is a screw hole on the back of Metal Frame 2.



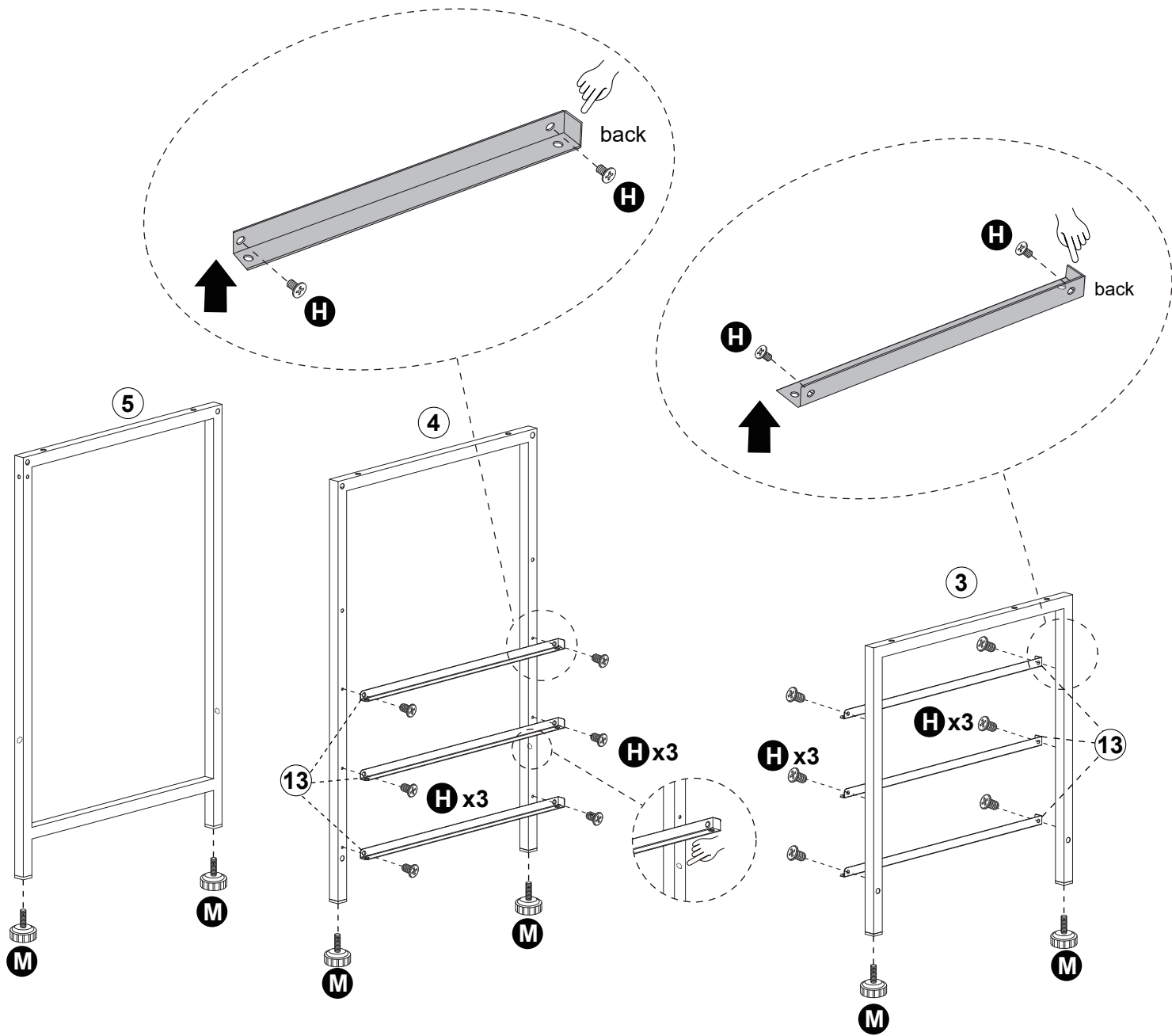
2



# ASSEMBLY INSTRUCTION 1

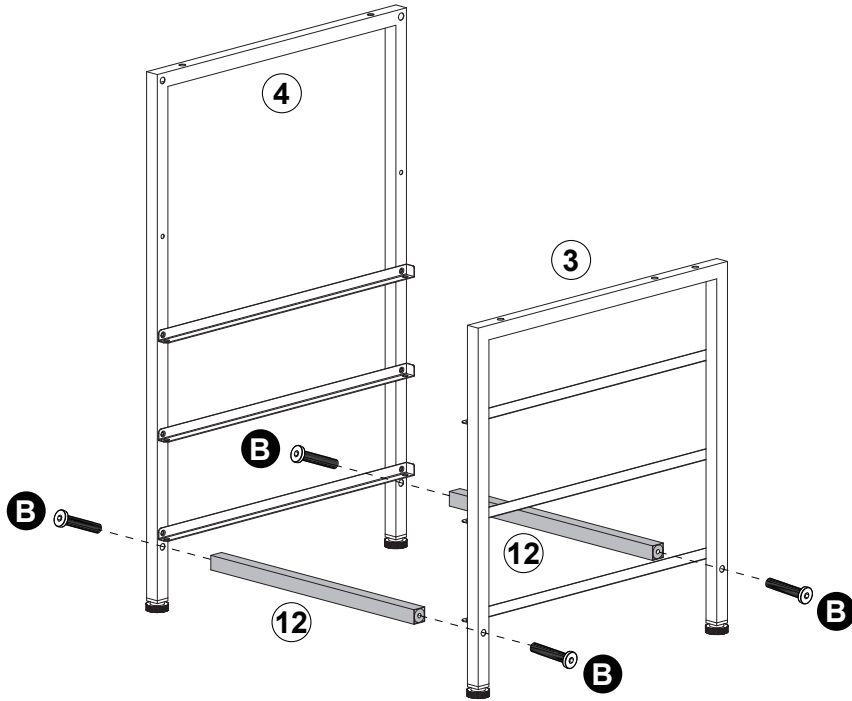
3

Note that there are screw holes on the back of Metal Frames 4 and 5.



# ASSEMBLY INSTRUCTION 1

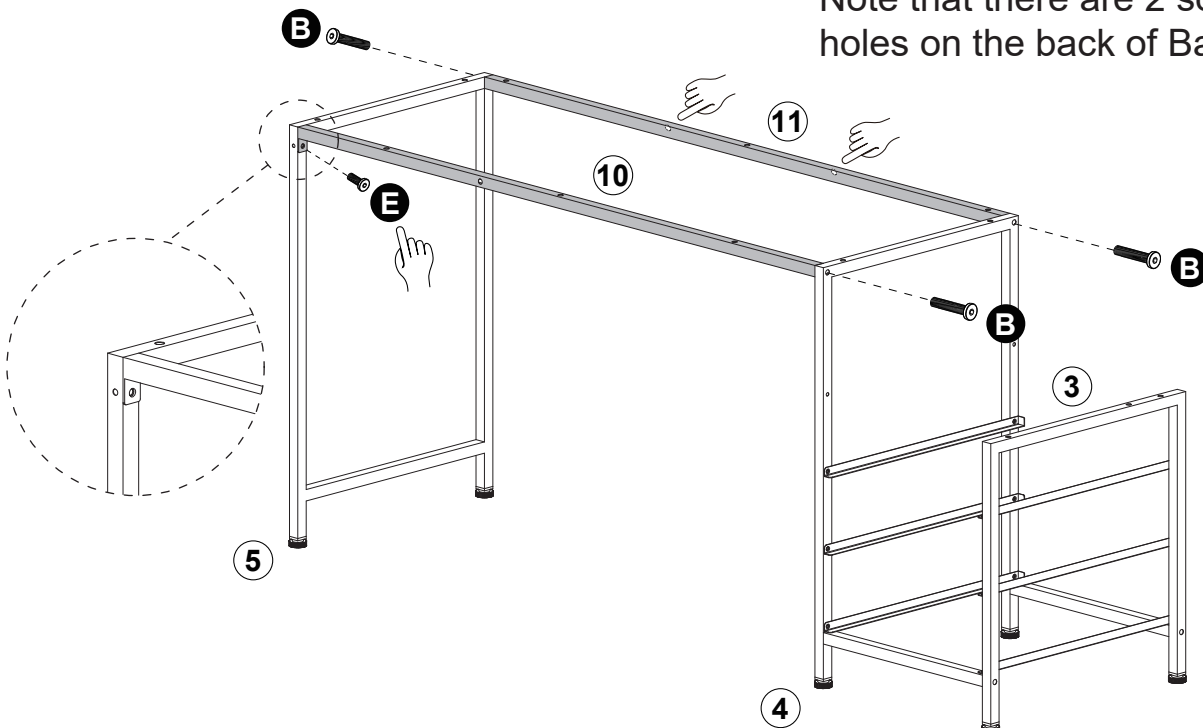
4



**B**  x4

5

Note that there are 2 screw holes on the back of Bar 11.



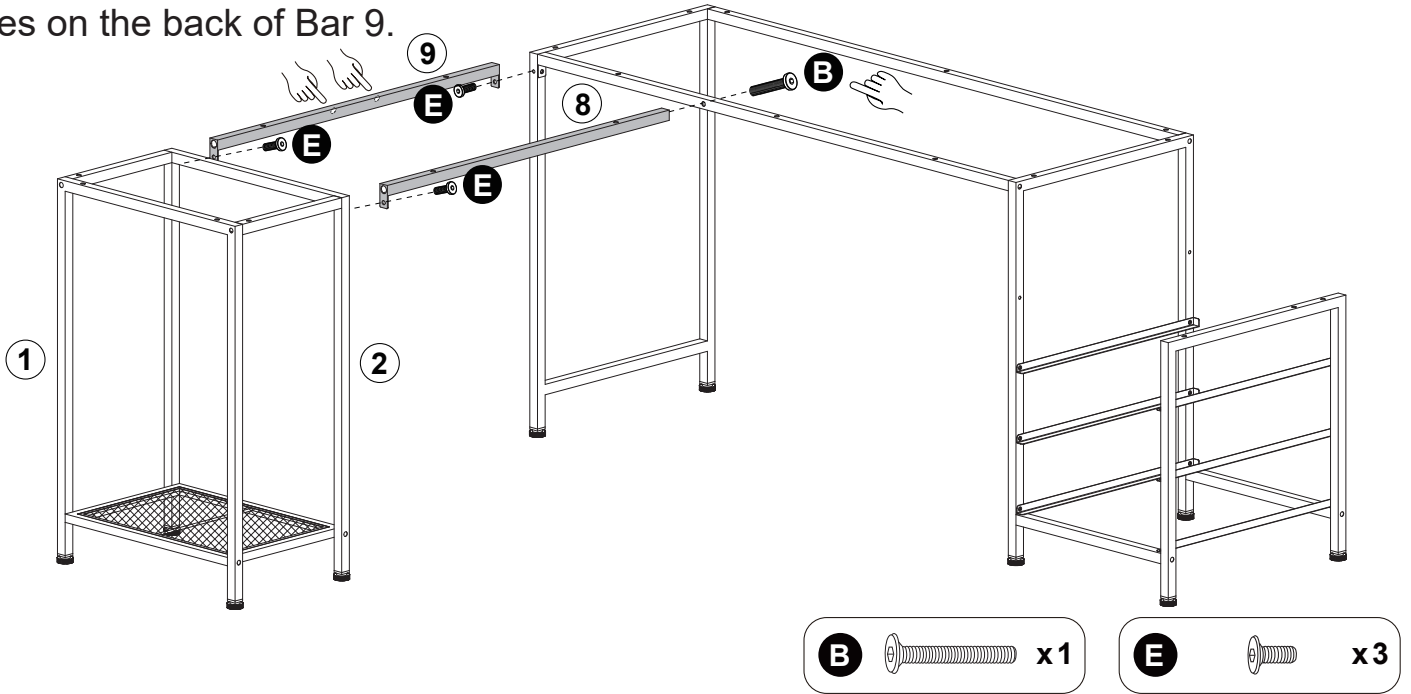
**B**  x3

**E**  x1

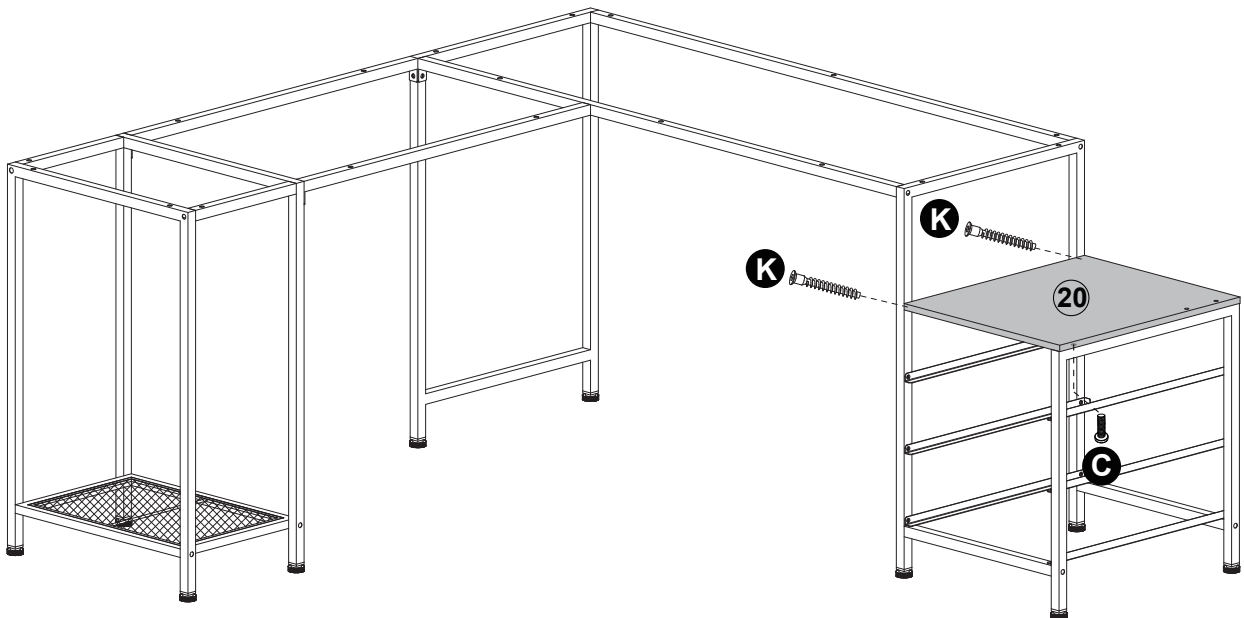
# ASSEMBLY INSTRUCTION 1

6

Note that there are 2 screw holes on the back of Bar 9.



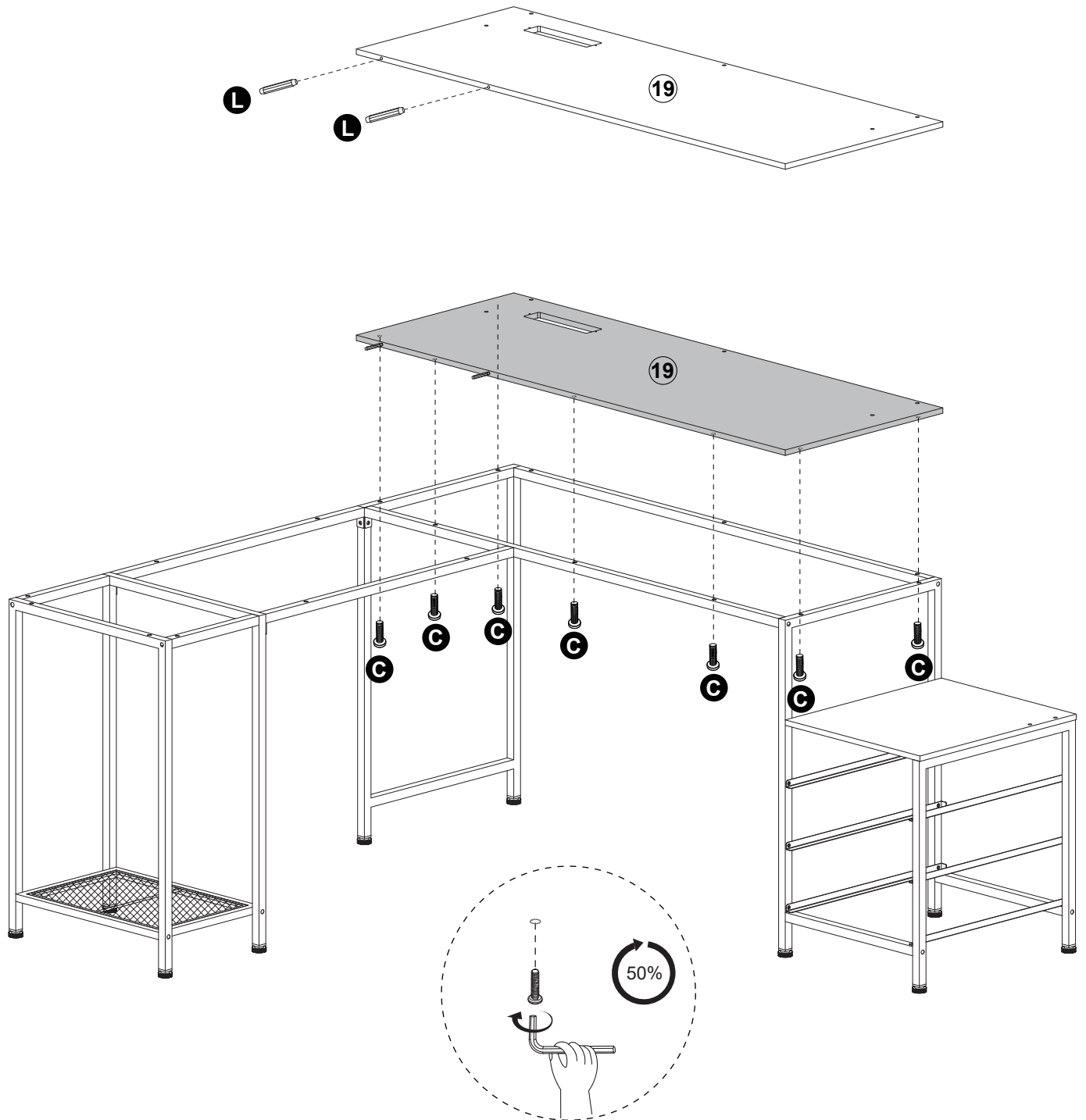
7



# ASSEMBLY INSTRUCTION 1

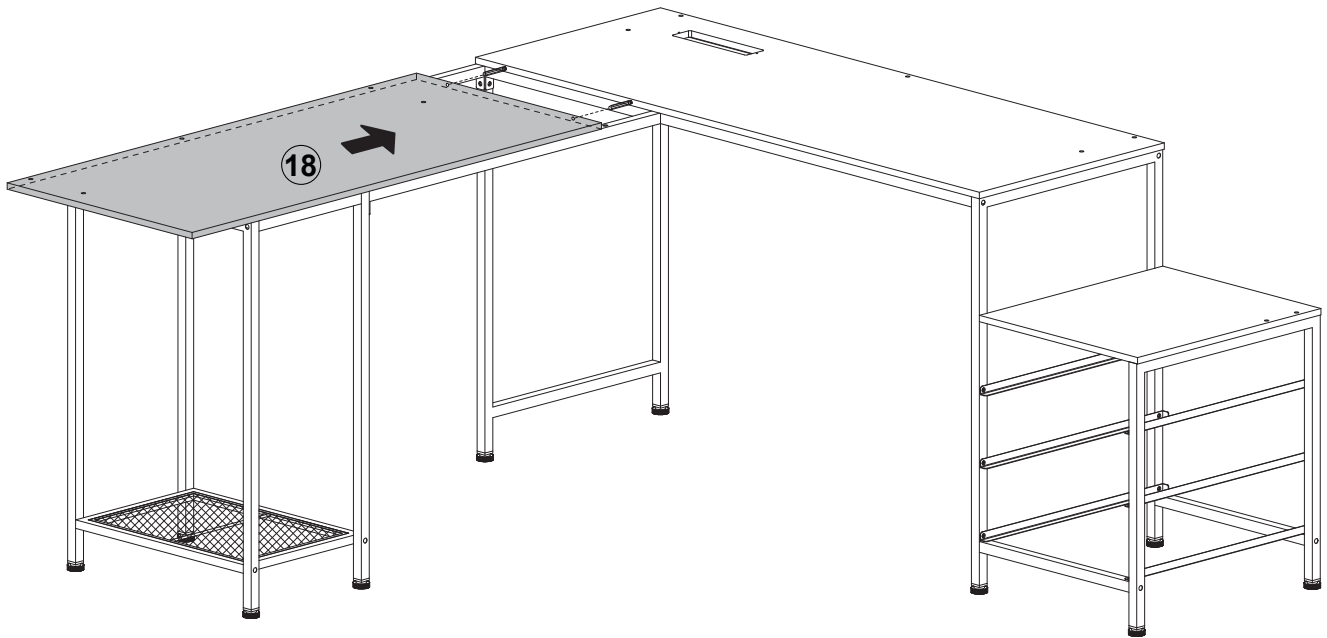
8

Note: Dowels L need to be inserted to the bottom.

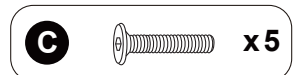
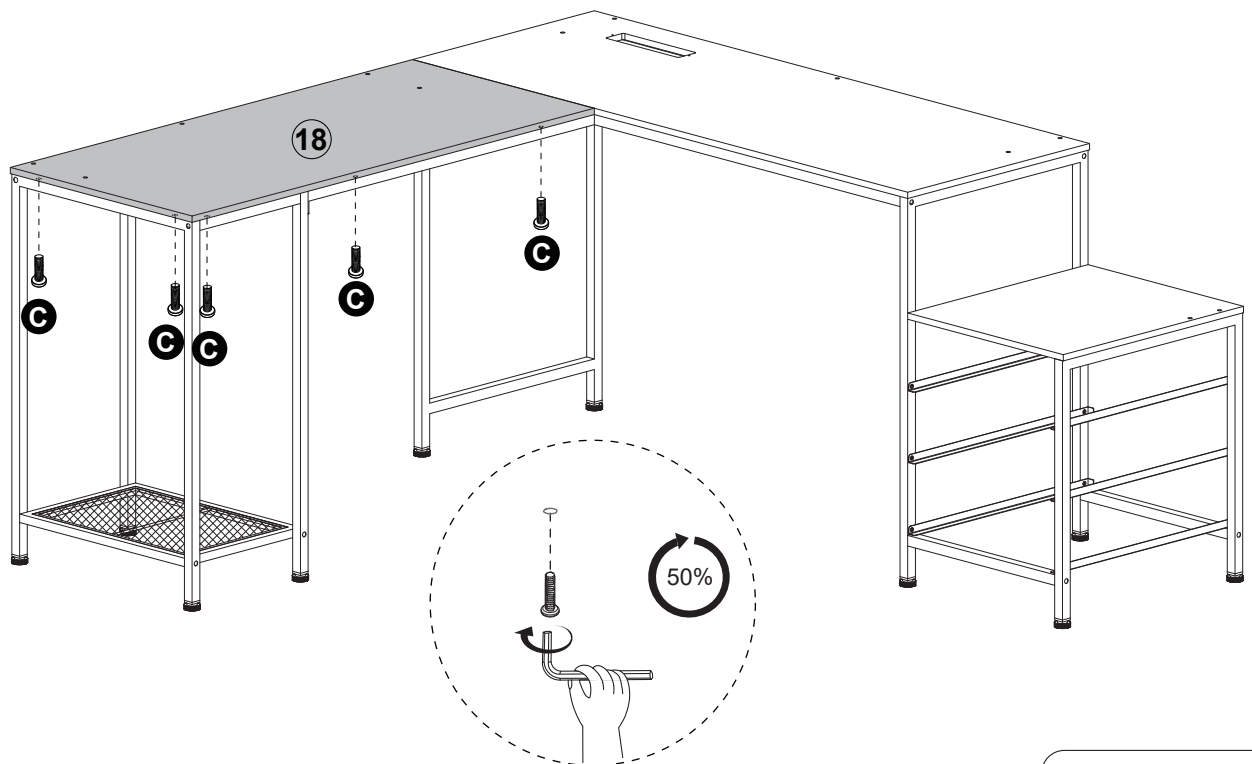


# ASSEMBLY INSTRUCTION 1

9

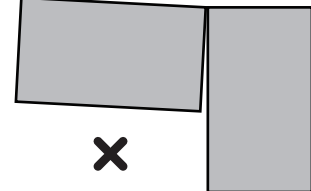
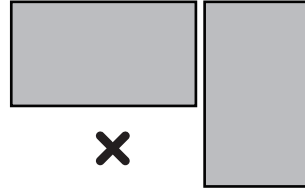


10

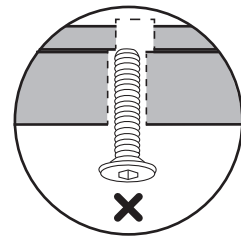
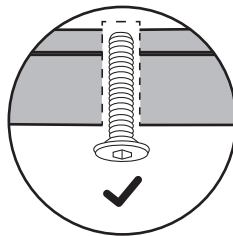
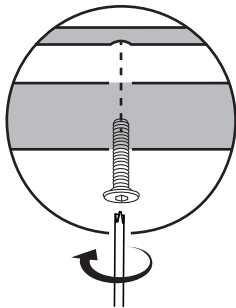


## ⚠ Possible problems during installation:

- There is a gap between the 2 boards.

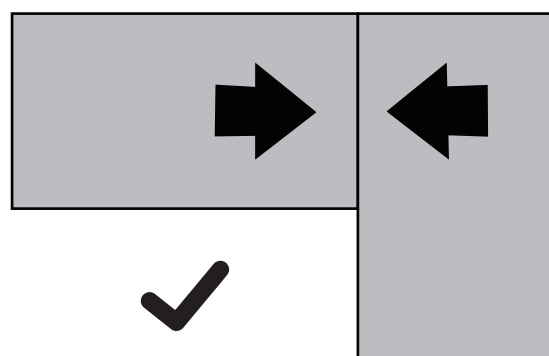
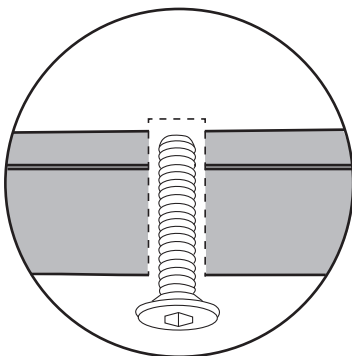


- The hole in the bar is not aligned with the hole in the board, and the screw can not be installed.



## ⚠ Recommended solution:

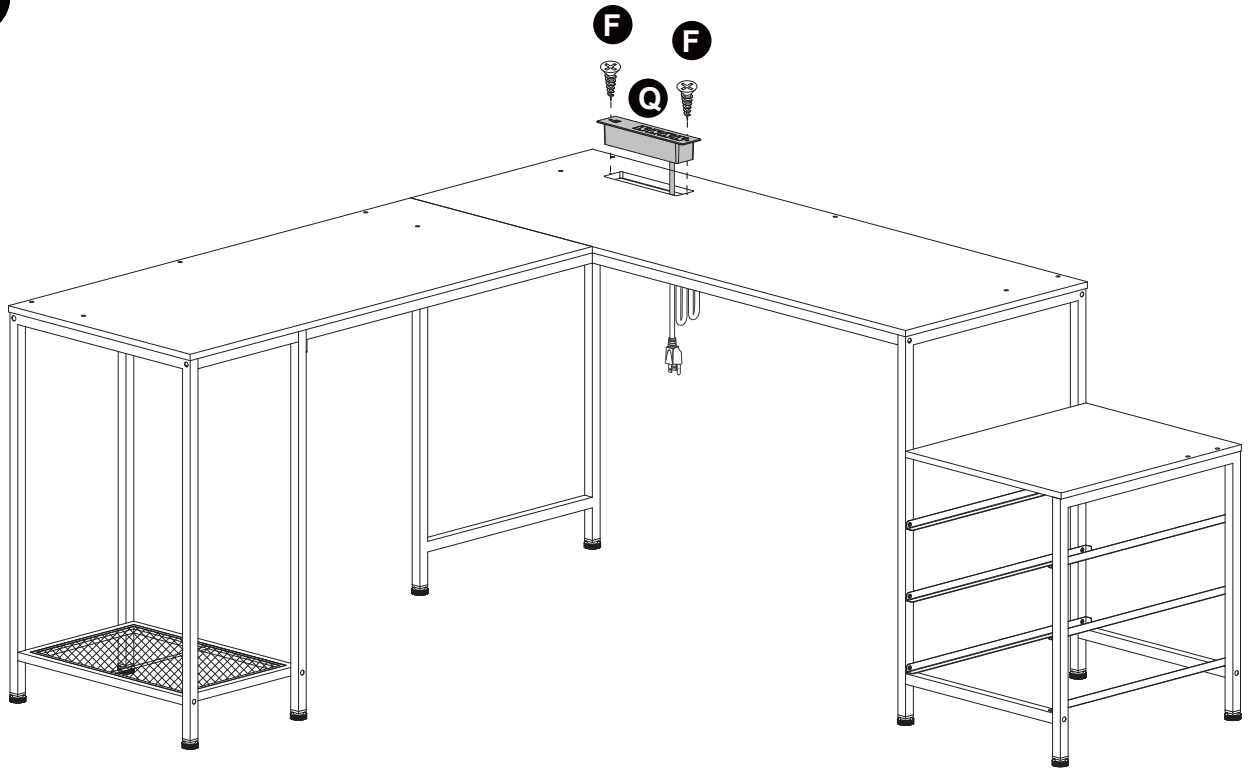
- Please loosen the screws which fix the boards, adjust the boards to make them fit together without gaps, then tighten the screws. Since the diameter of the screw hole in the bar is larger than the hole in the bolt, the position of the board can be adjusted.



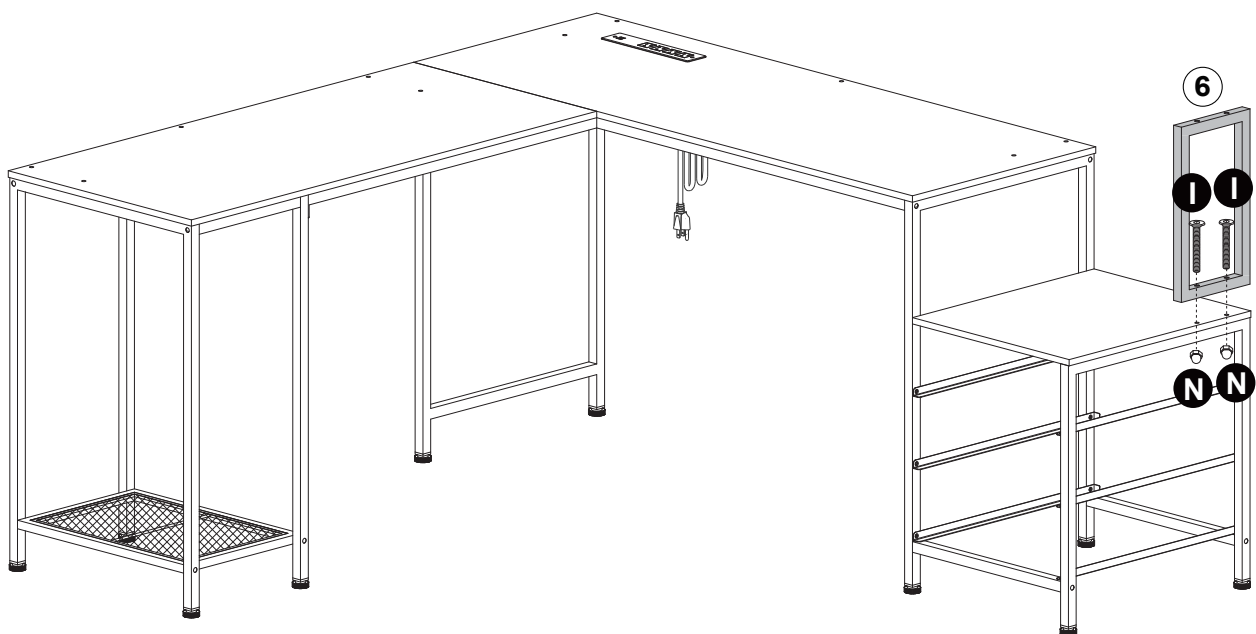
- If the above method doesn't work, please contact us with a photo of the holes, we will help you further.

# ASSEMBLY INSTRUCTION 1

11



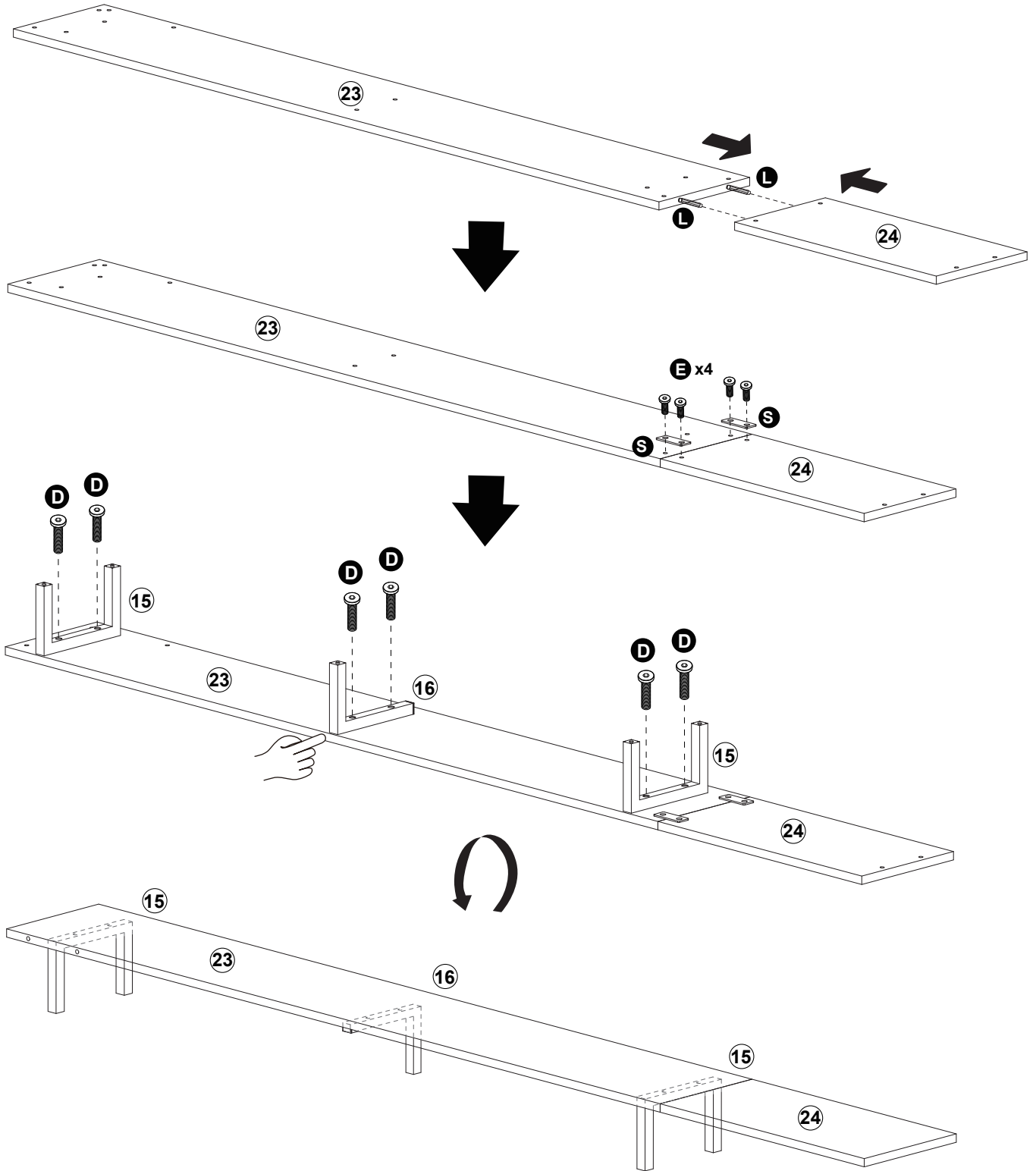
12



# ASSEMBLY INSTRUCTION 1

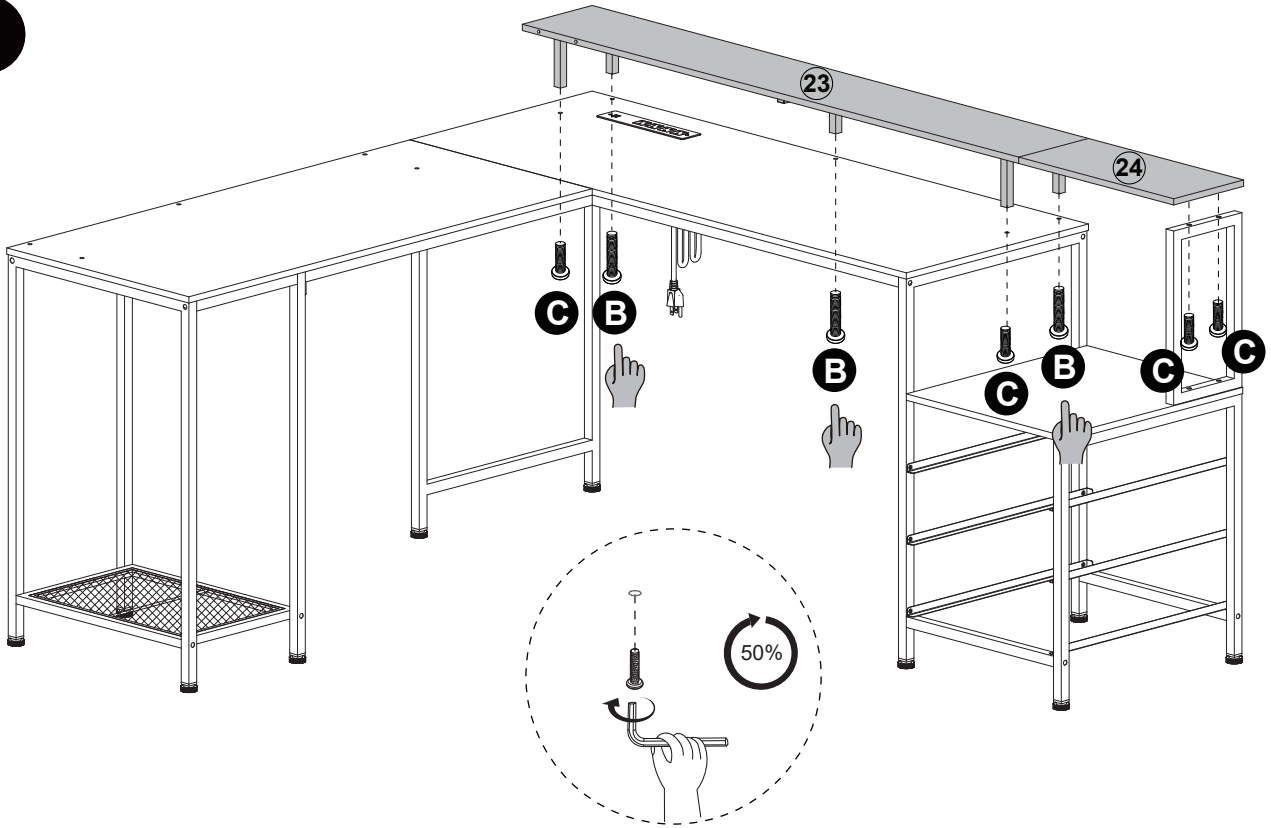
13

Note: Pay attention to the installation direction, dowels need to be inserted to the bottom.



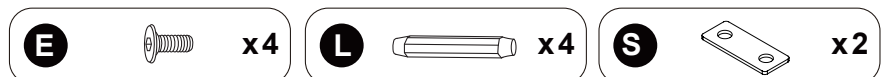
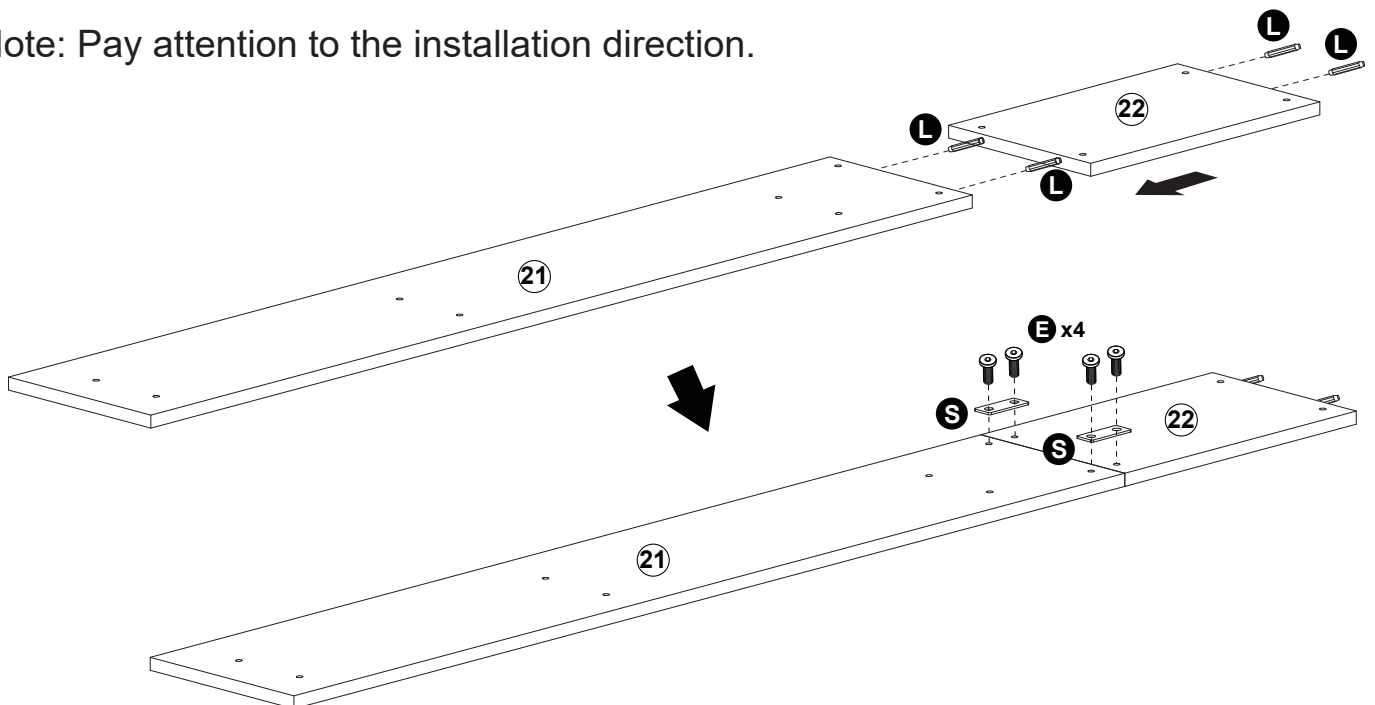
# ASSEMBLY INSTRUCTION 1

14



15

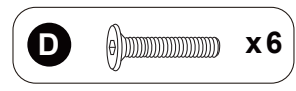
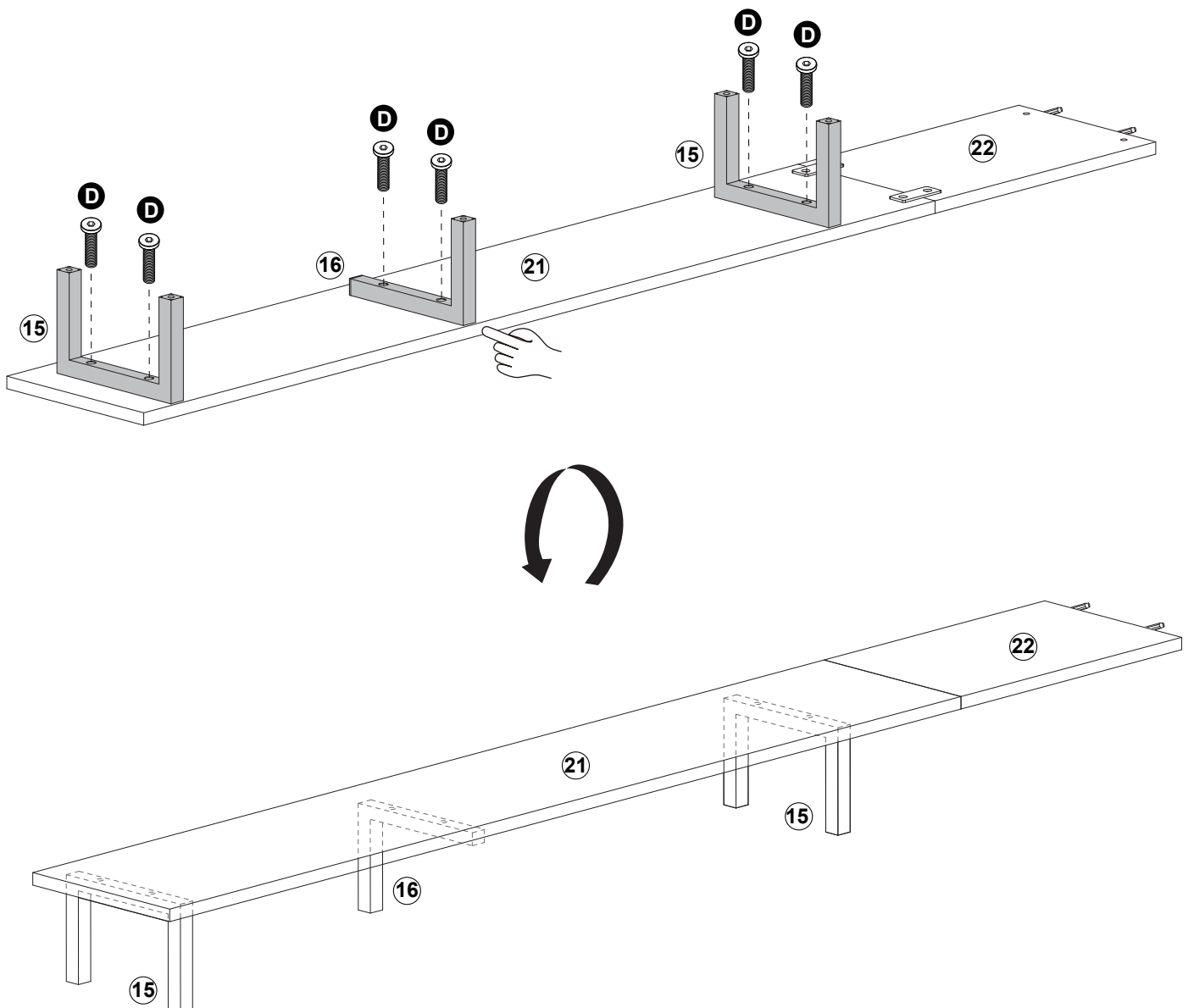
Note: Pay attention to the installation direction.



# ASSEMBLY INSTRUCTION 1

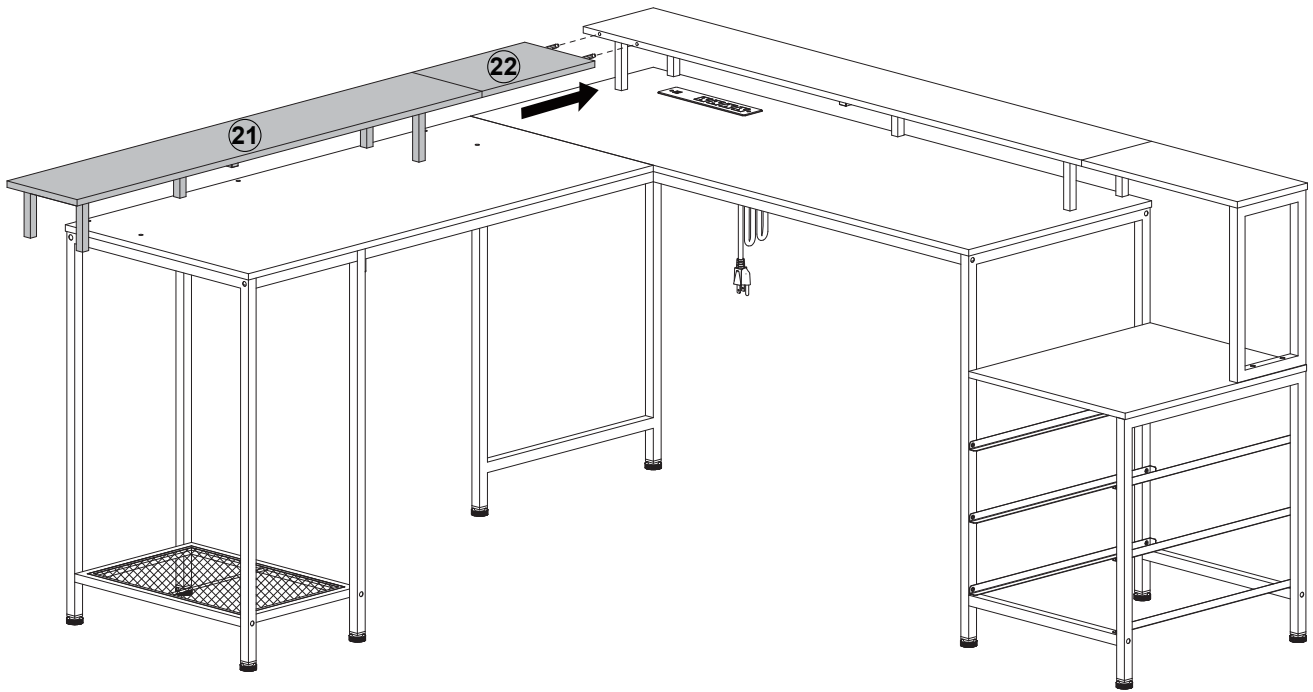
16

Note: Pay attention to the installation direction, dowels need to be inserted to the bottom.

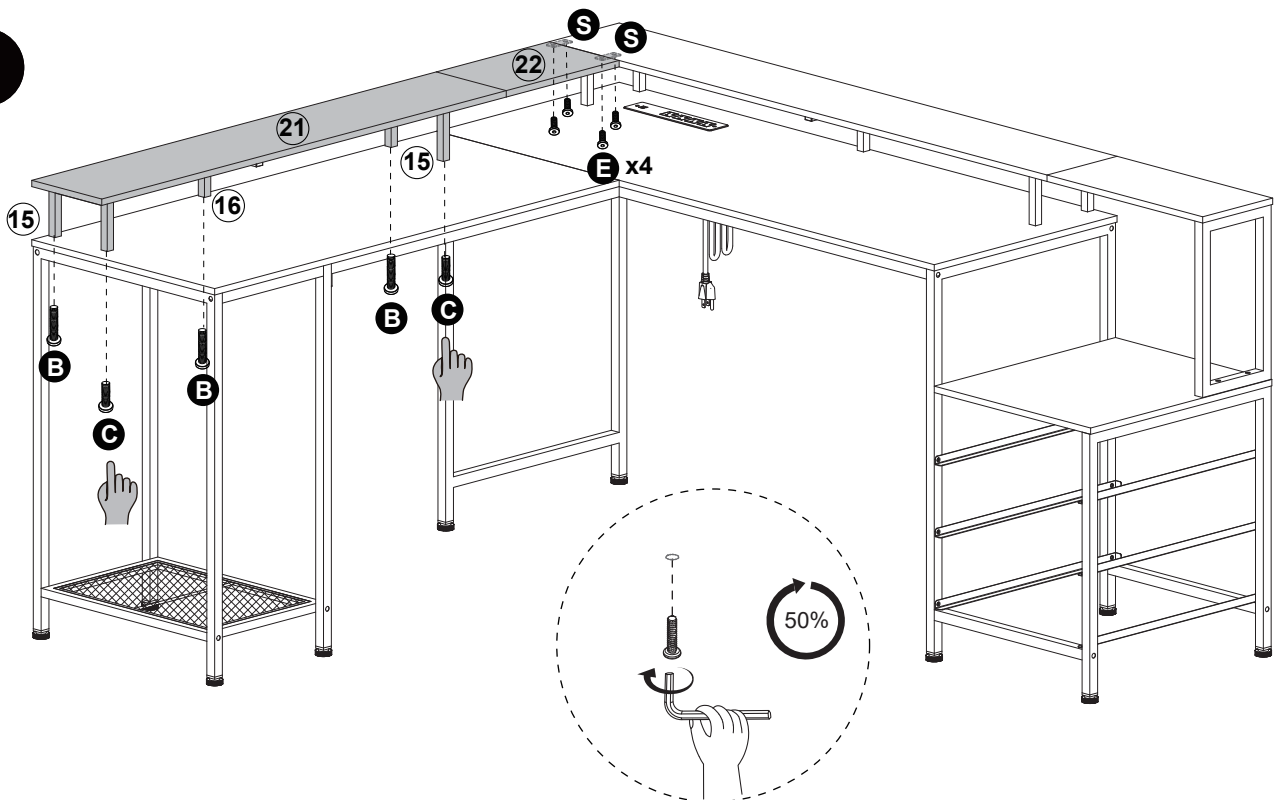


# ASSEMBLY INSTRUCTION 1

17



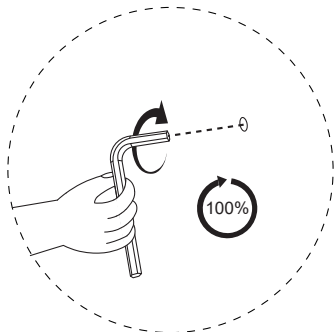
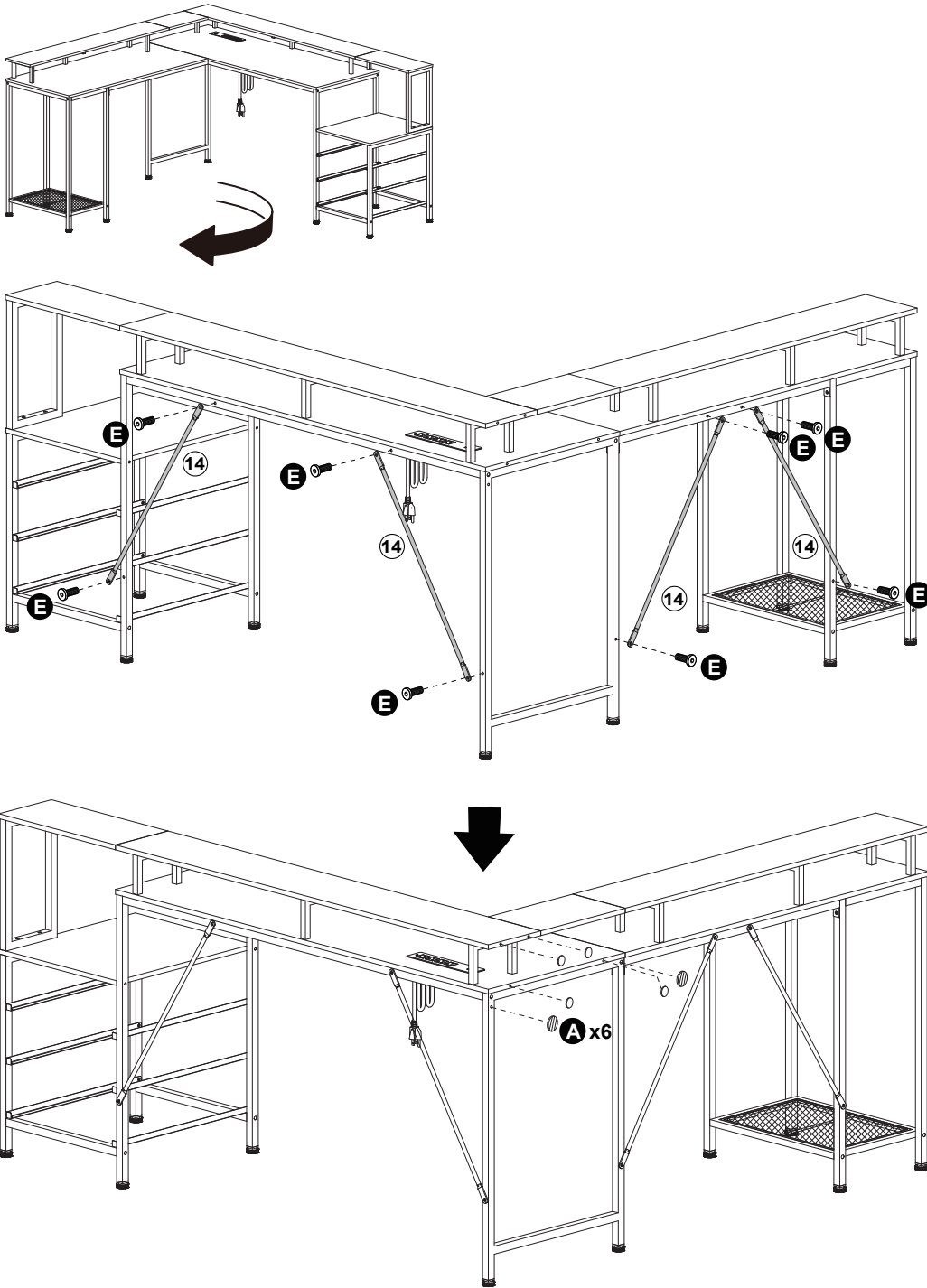
18

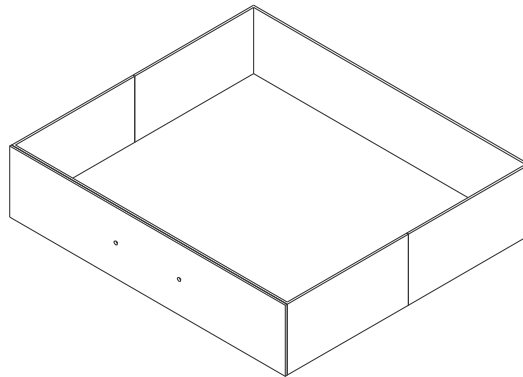
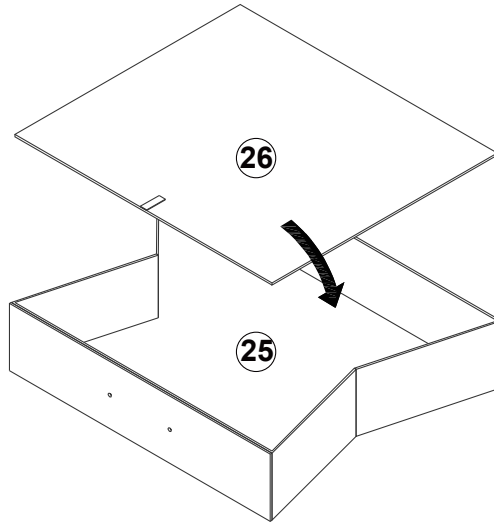


- B**  x3
- C**  x2
- E**  x4
- S**  x2

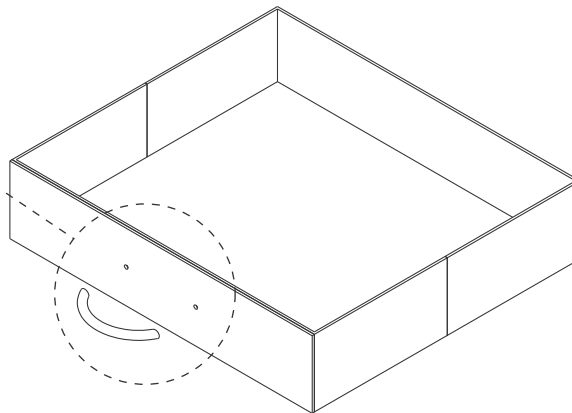
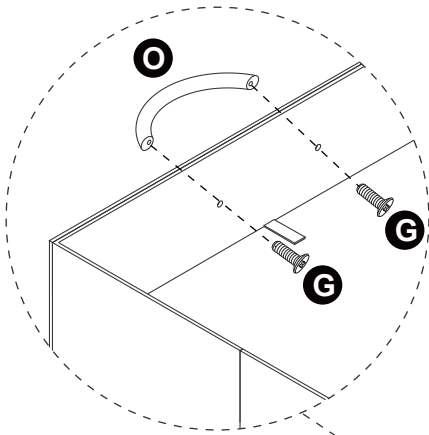
# ASSEMBLY INSTRUCTION 1

19



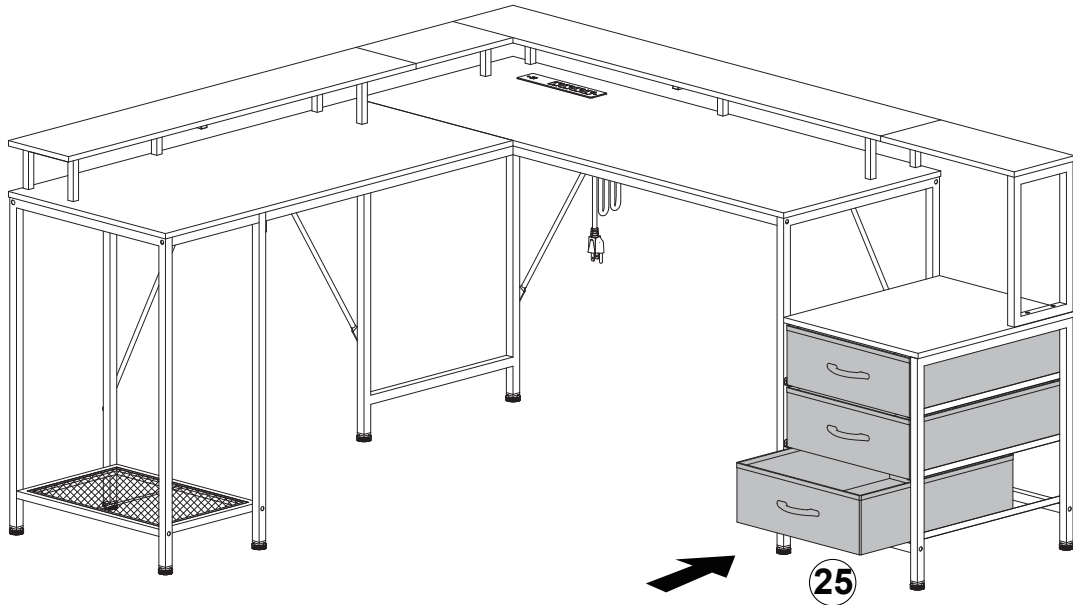


**X3**



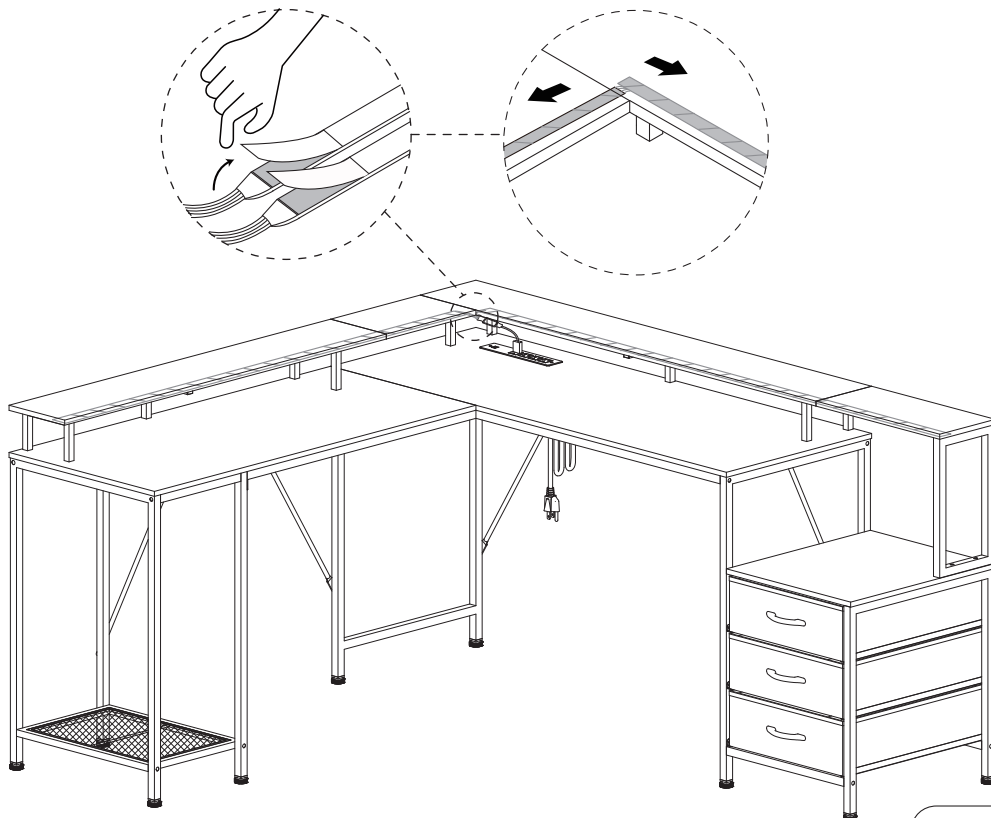
# ASSEMBLY INSTRUCTION 1

21



22

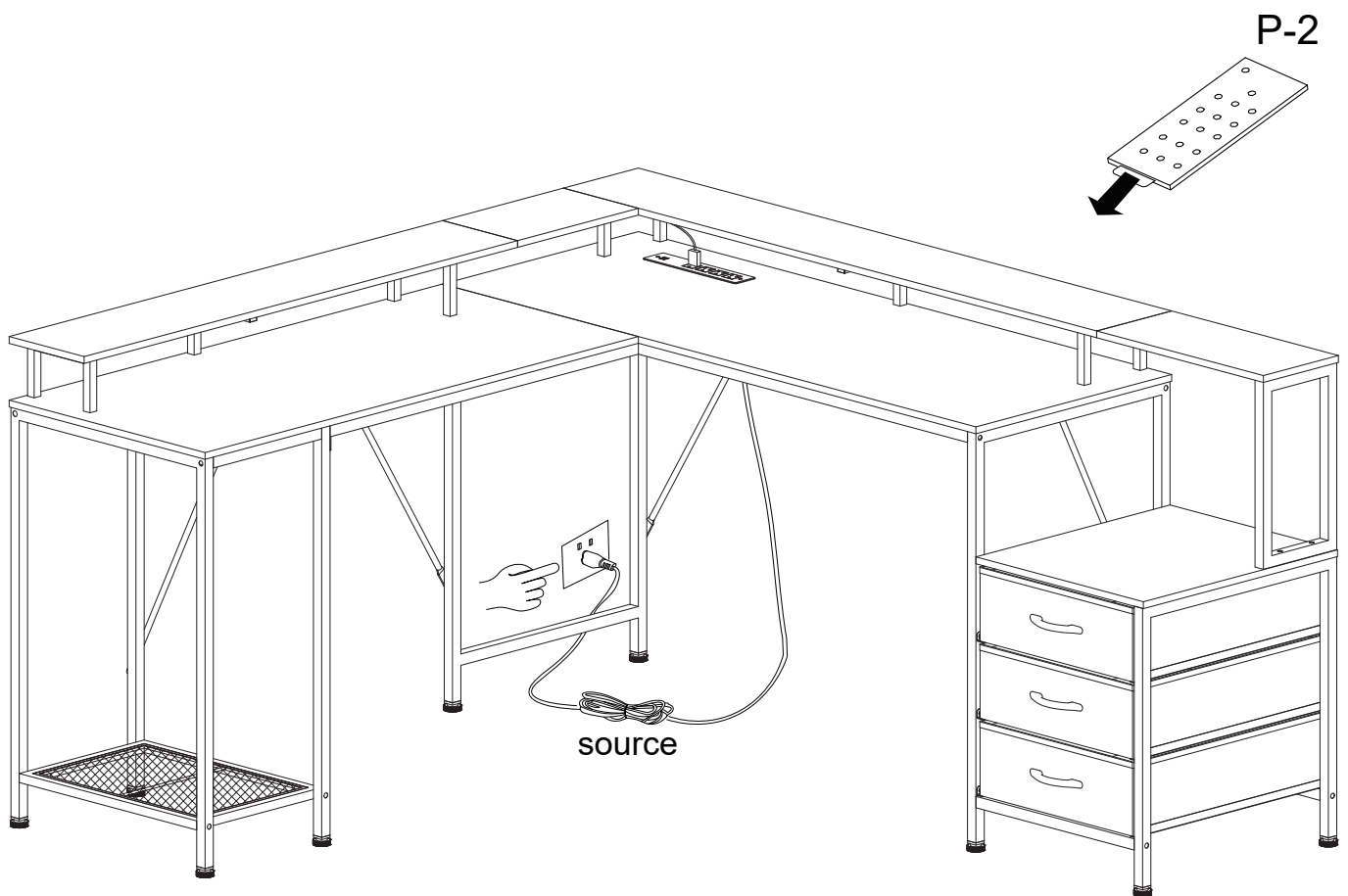
Note: When pasting the LED strip in the position as shown, peel off the double-sided tape. Don't tear off the bottom side of the tape. After pasting the tail, you can use the cable ties to organize the wires.



# ASSEMBLY INSTRUCTION 1

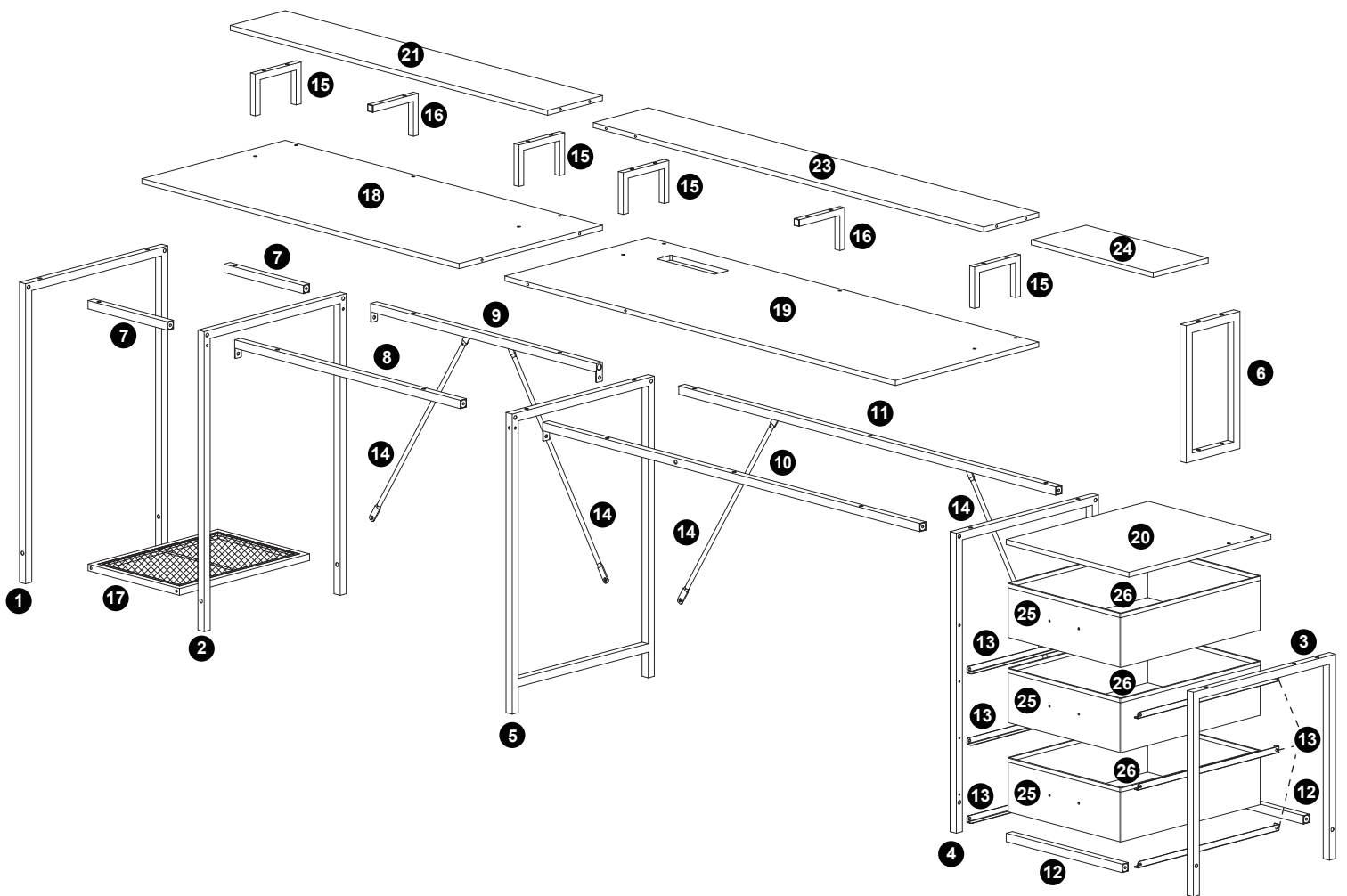
23

Note: Please power on the LED strip, remove the plastic piece inside the remote, and control the strip.



# ASSEMBLY INSTRUCTION 2

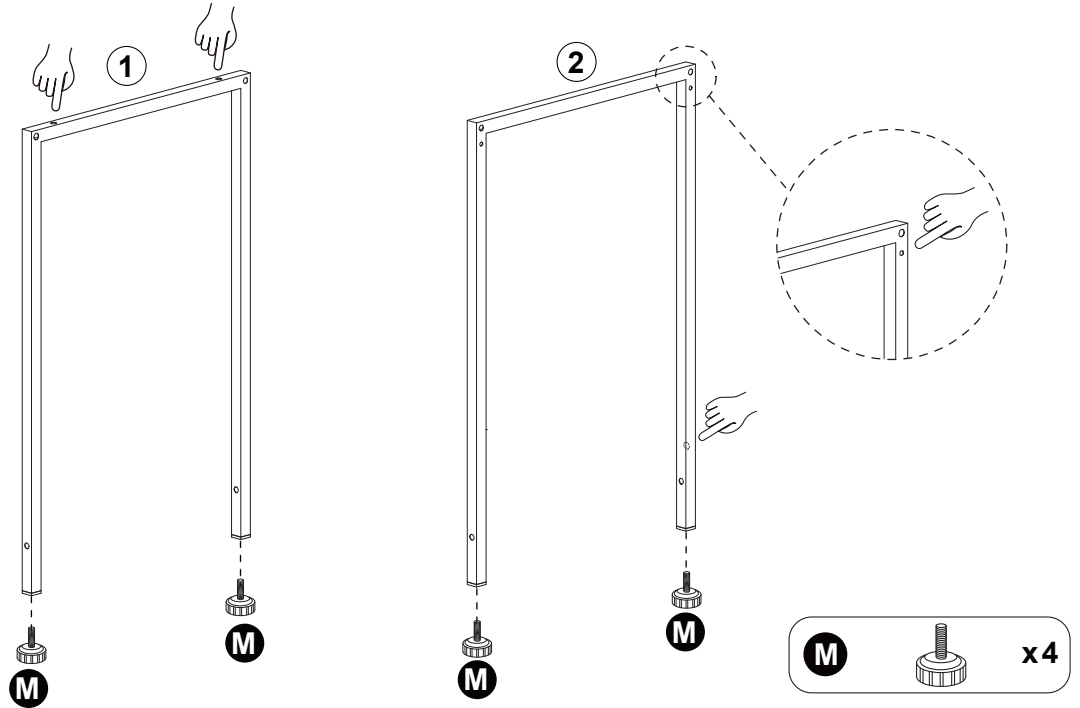
Note: Don't over-tighten all the screws until all the parts are in place.



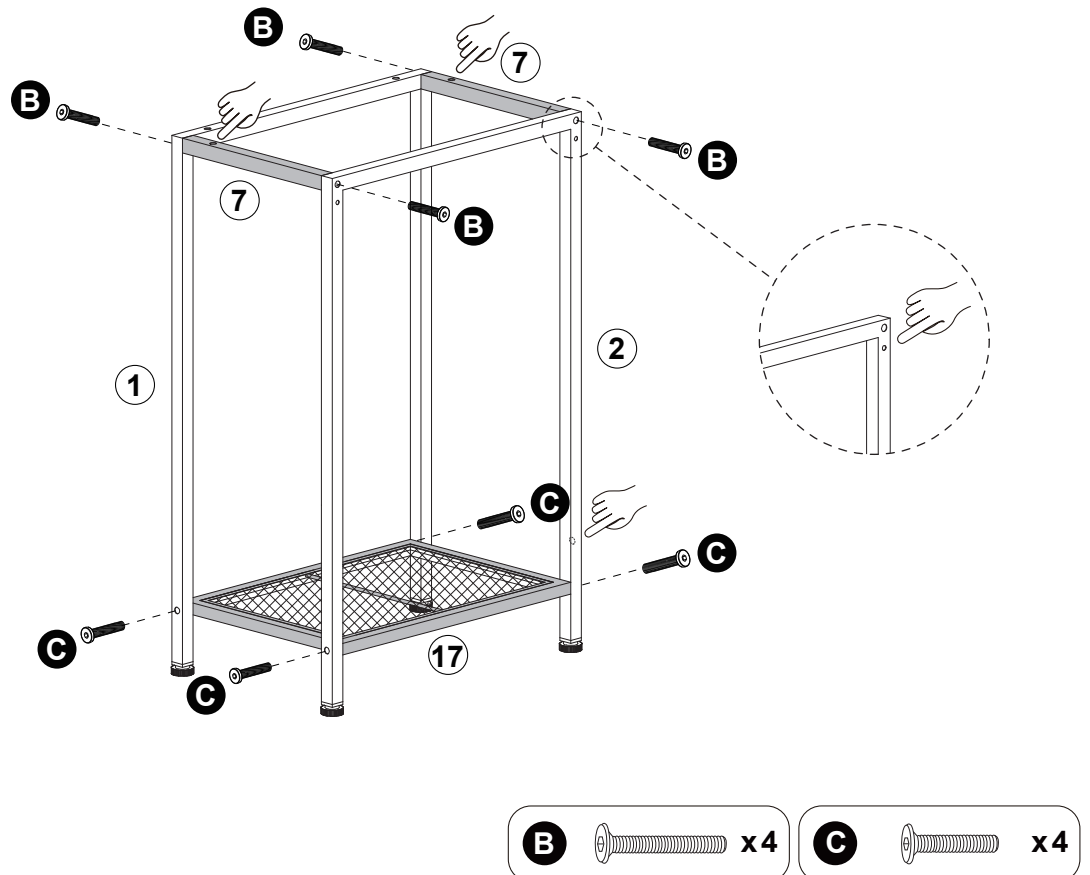
# ASSEMBLY INSTRUCTION 2

1

Note that there is a screw hole on the back of Metal Frame 2.



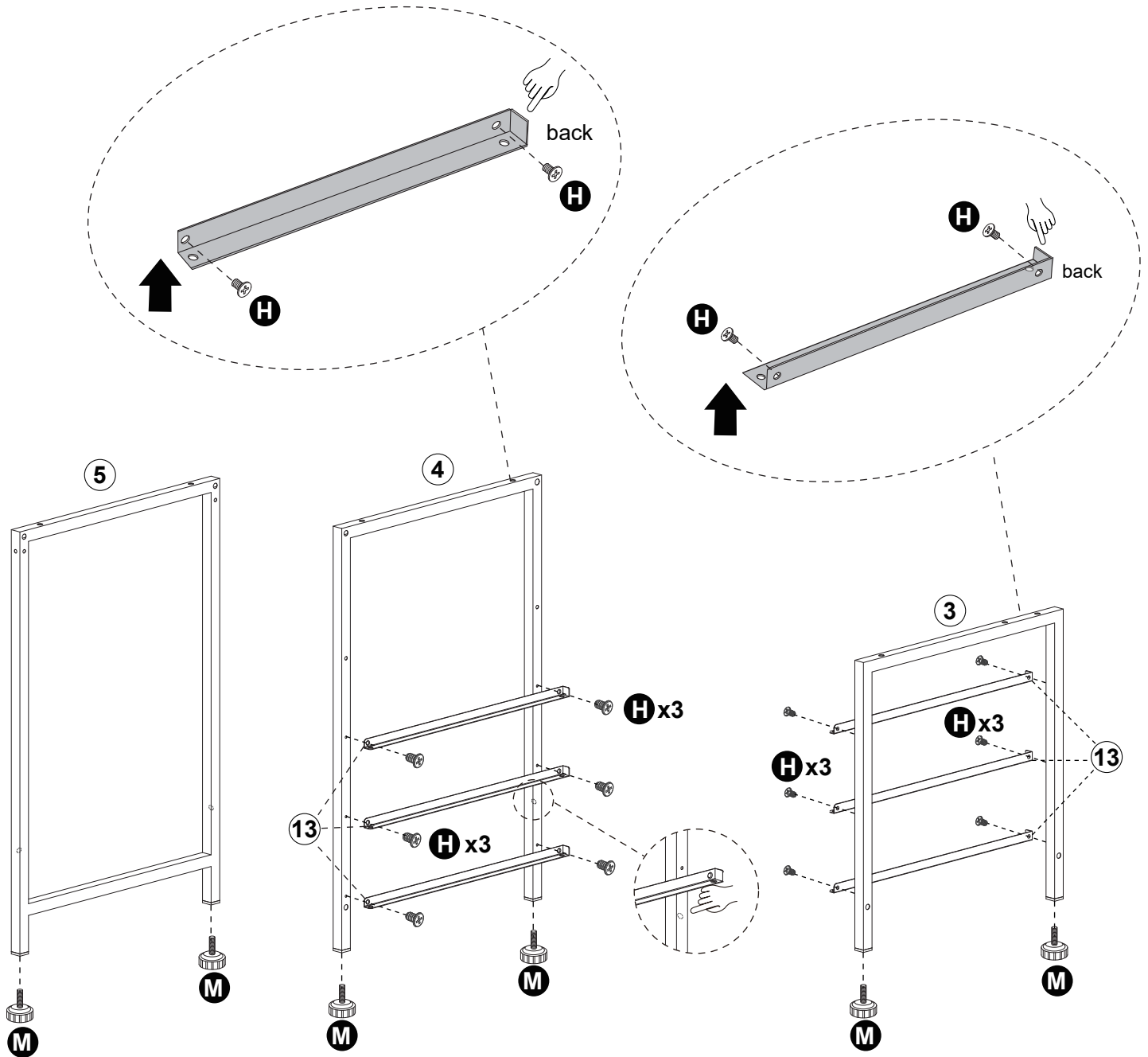
2



# ASSEMBLY INSTRUCTION 2

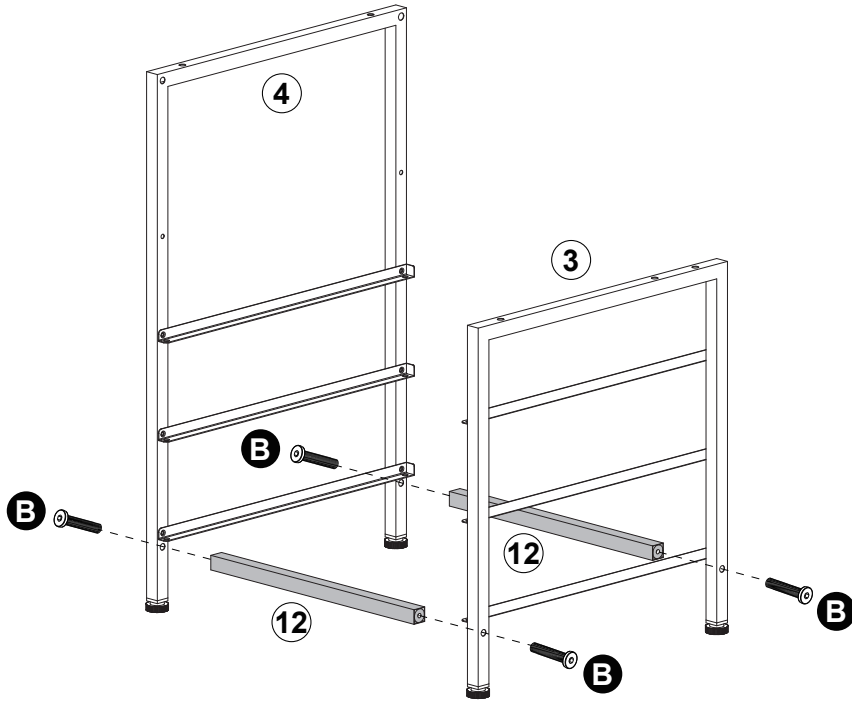
3

Note that there are screw holes on the back of Metal Frames 4 and 5.



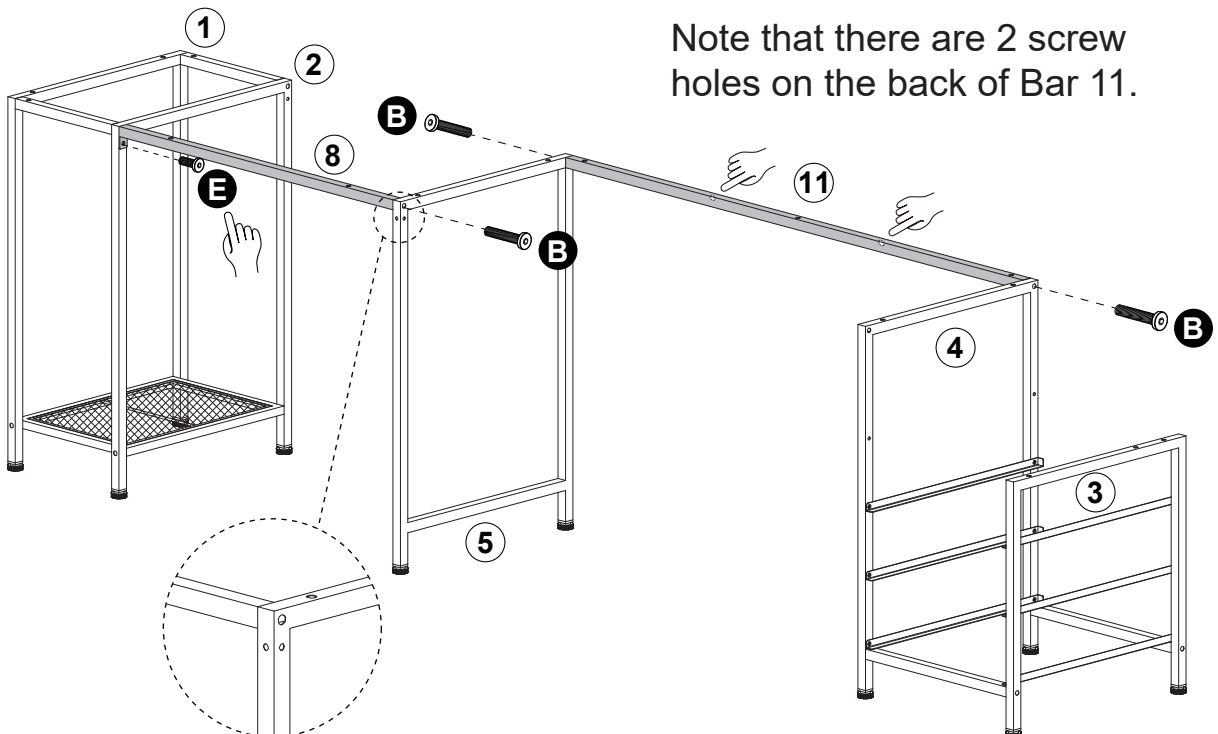
# ASSEMBLY INSTRUCTION 2

4



**B**  x4

5



Note that there are 2 screw holes on the back of Bar 11.

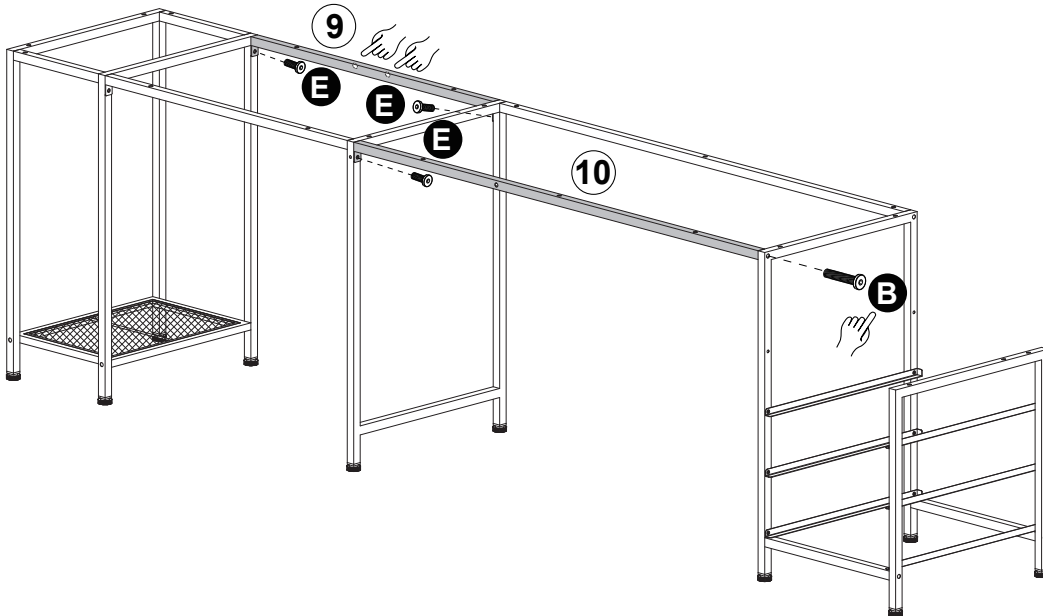
**B**  x3

**E**  x1

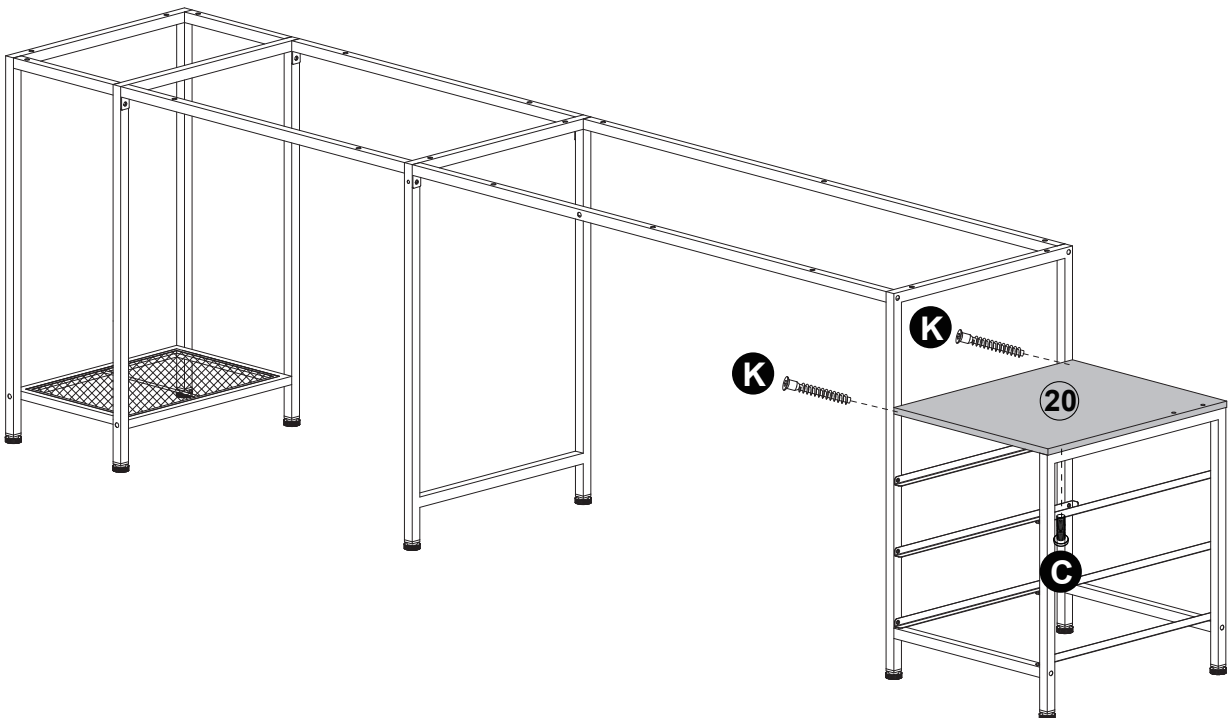
# ASSEMBLY INSTRUCTION 2

6

Note that there are 2 screw holes on the back of Bar 9.



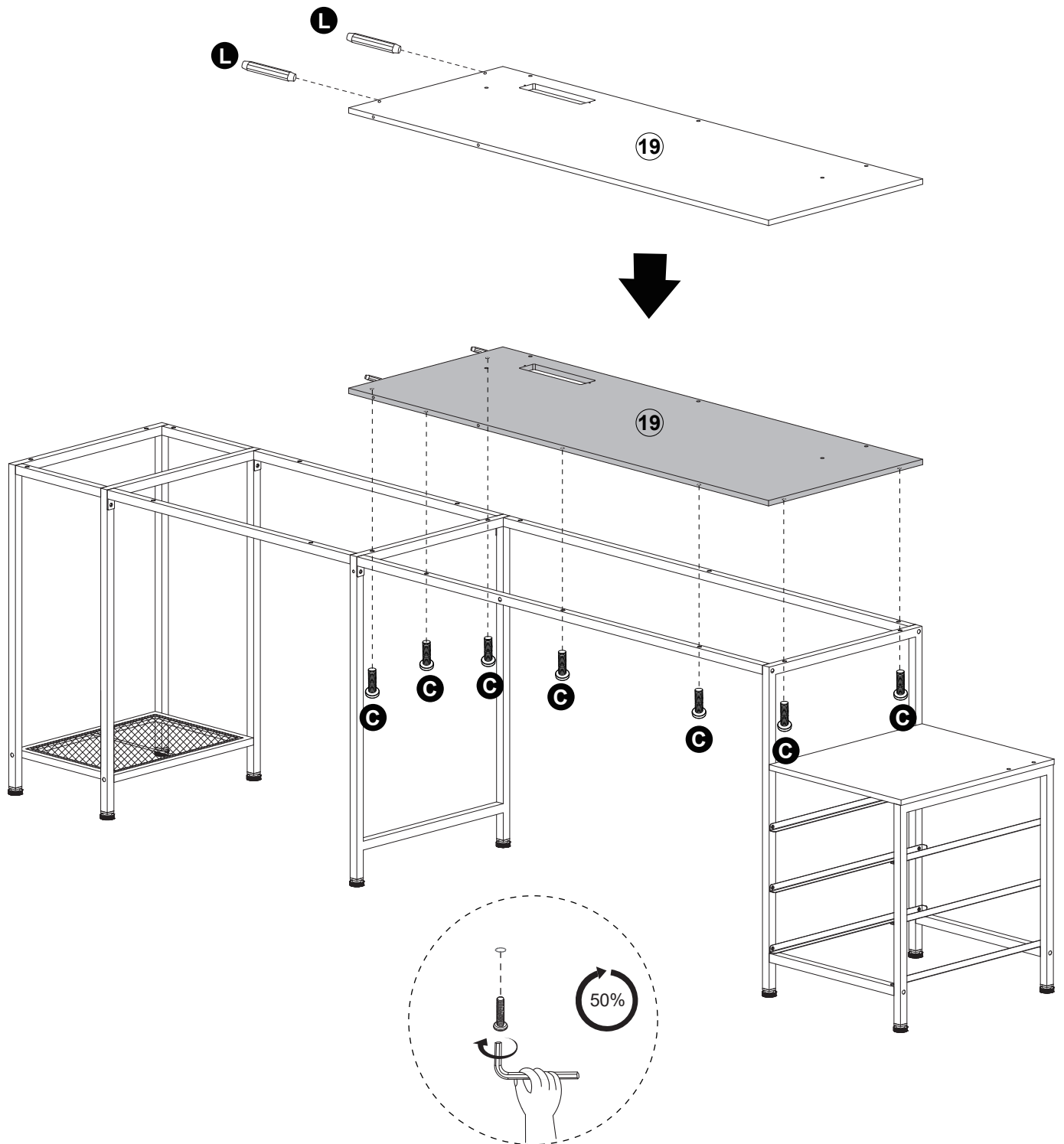
7



# ASSEMBLY INSTRUCTION 2

8

Note: Dowels L need to be inserted to the bottom.



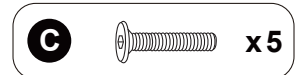
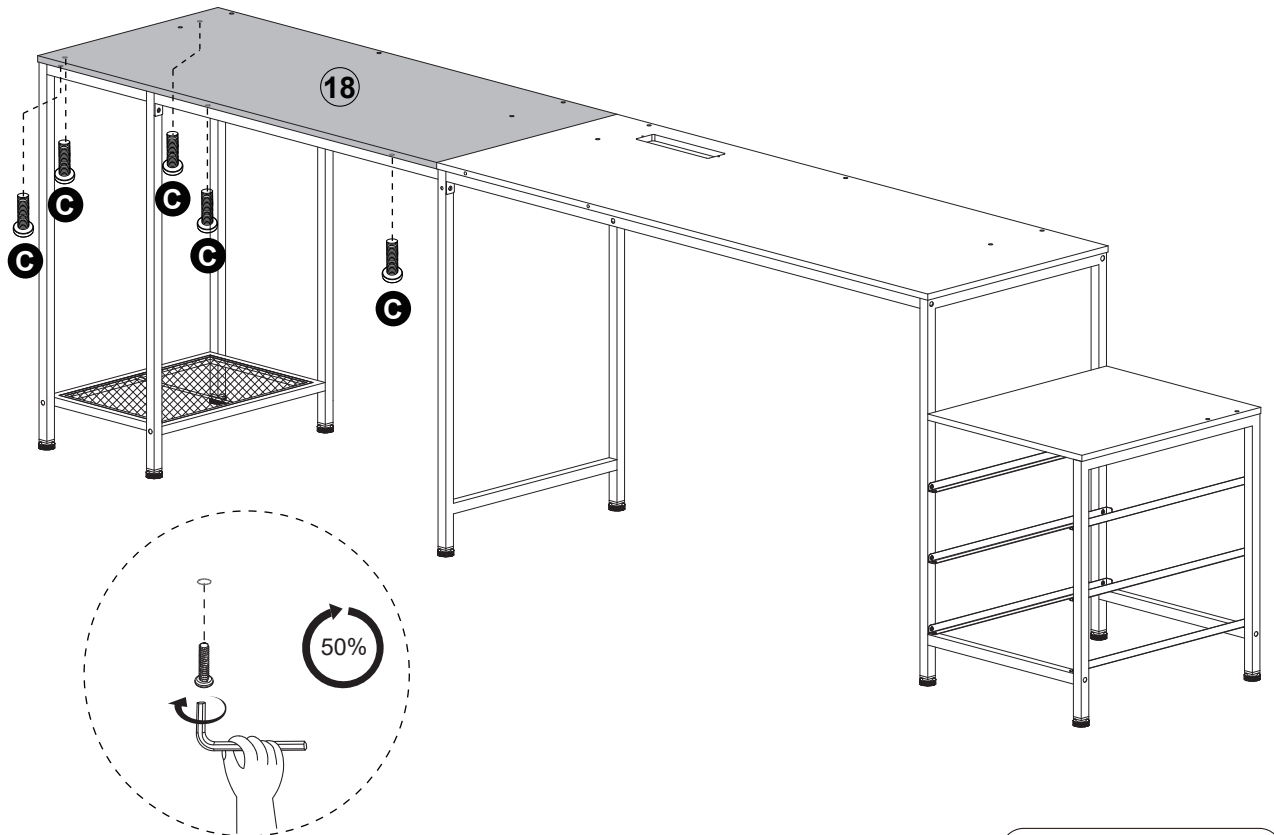
- C**  x7
- L**  x2

# ASSEMBLY INSTRUCTION 2

9

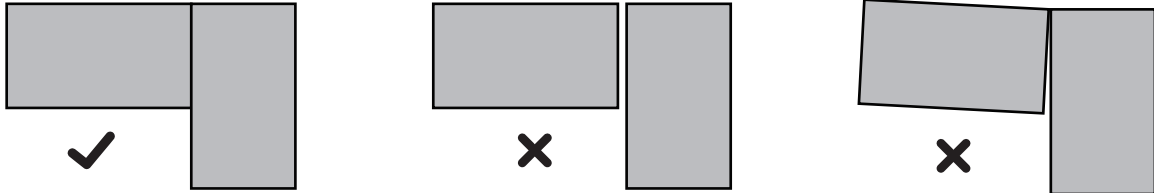


10

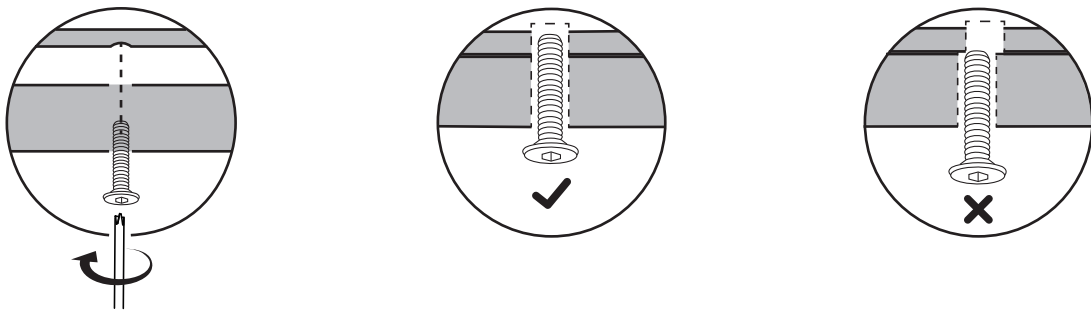


## ⚠ Possible problems during installation:

- There is a gap between the 2 boards.

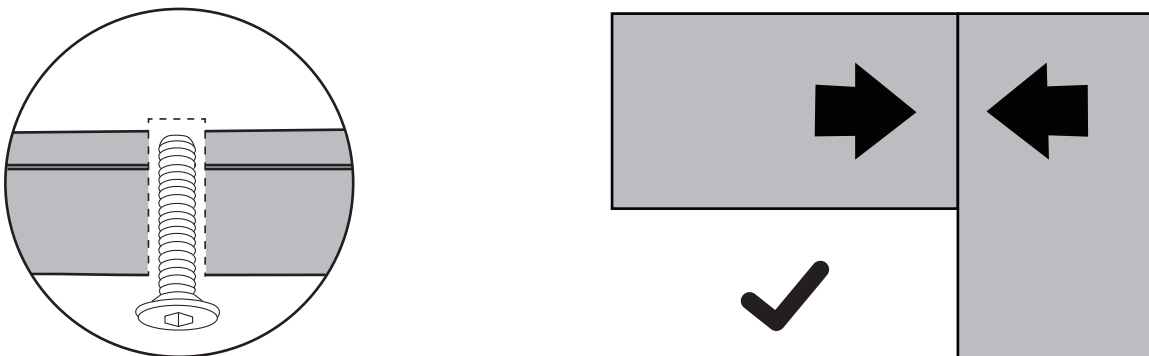


- The hole in the bar is not aligned with the hole in the board, and the screw can not be installed.



## ⚠ Recommended solution:

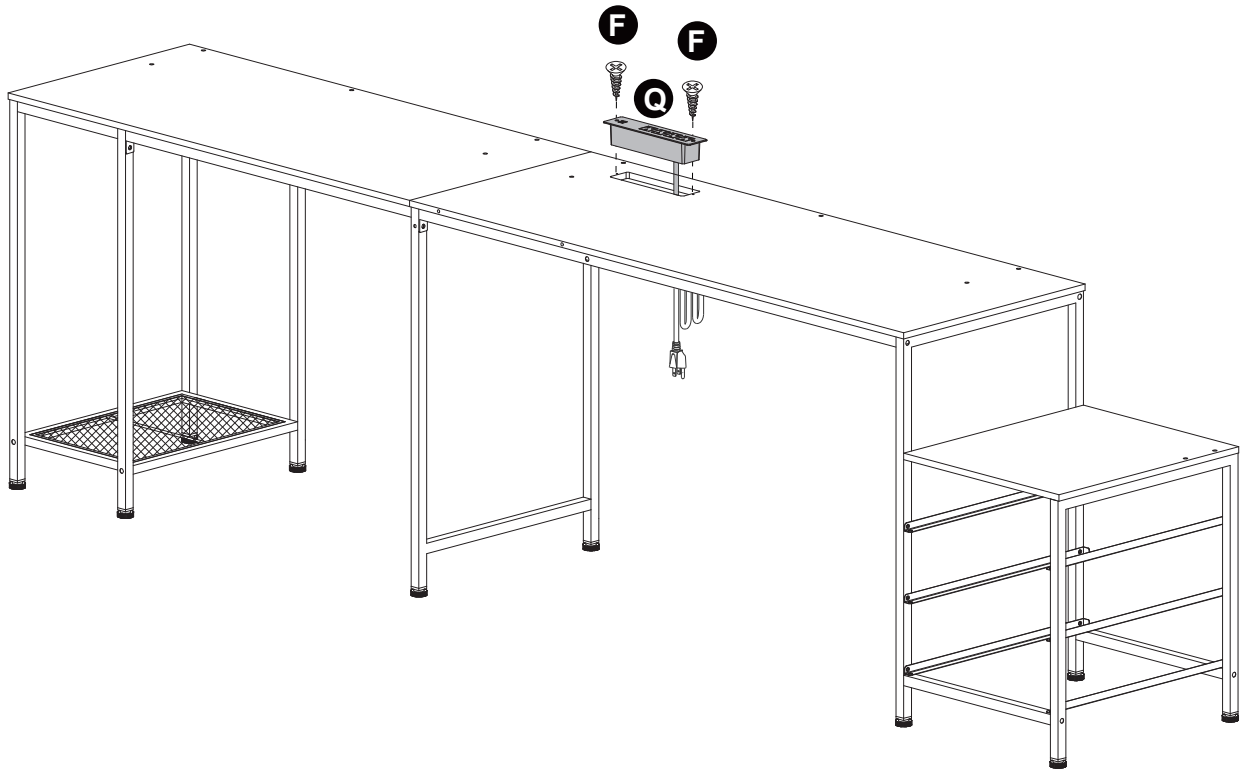
- Please loosen the screws which fix the boards, adjust the boards to make them fit together without gaps, then tighten the screws. Since the diameter of the screw hole in the bar is larger than the hole in the bolt, the position of the board can be adjusted.



- If the above method doesn't work, please contact us with a photo of the holes, we will help you further.

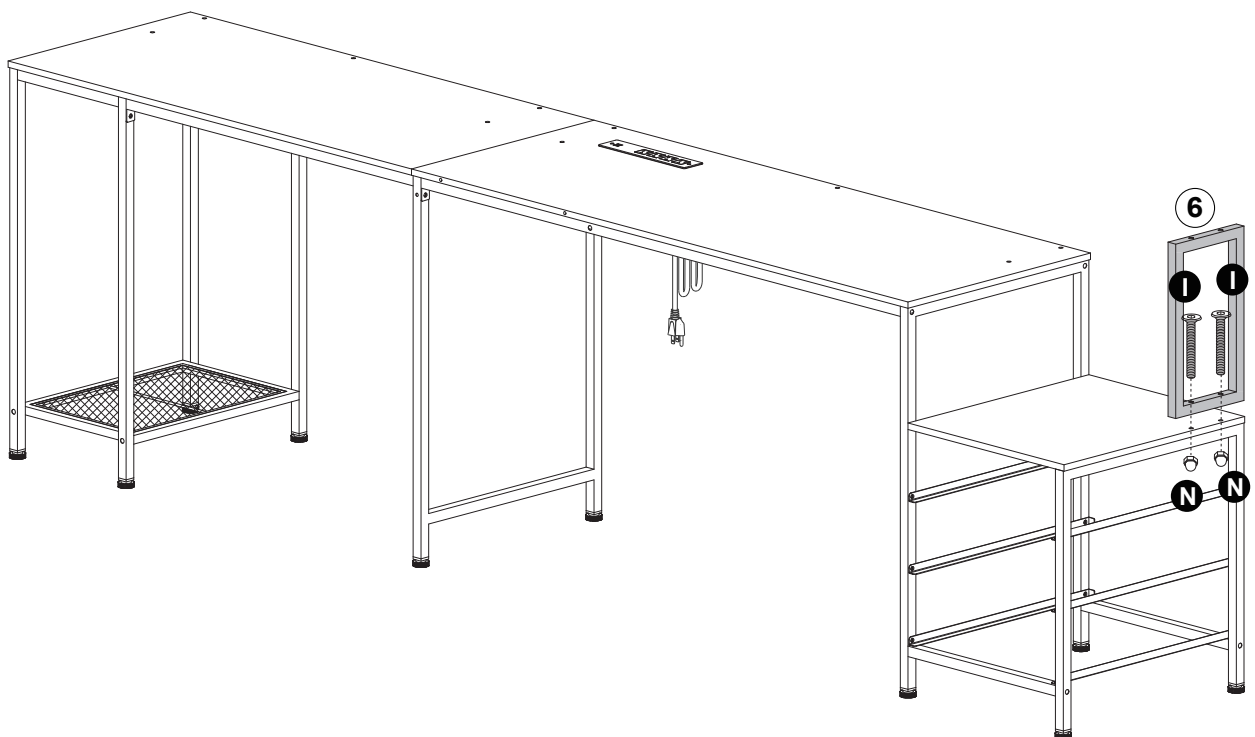
# ASSEMBLY INSTRUCTION 2

11



- F**  x2
- Q**  x1

12

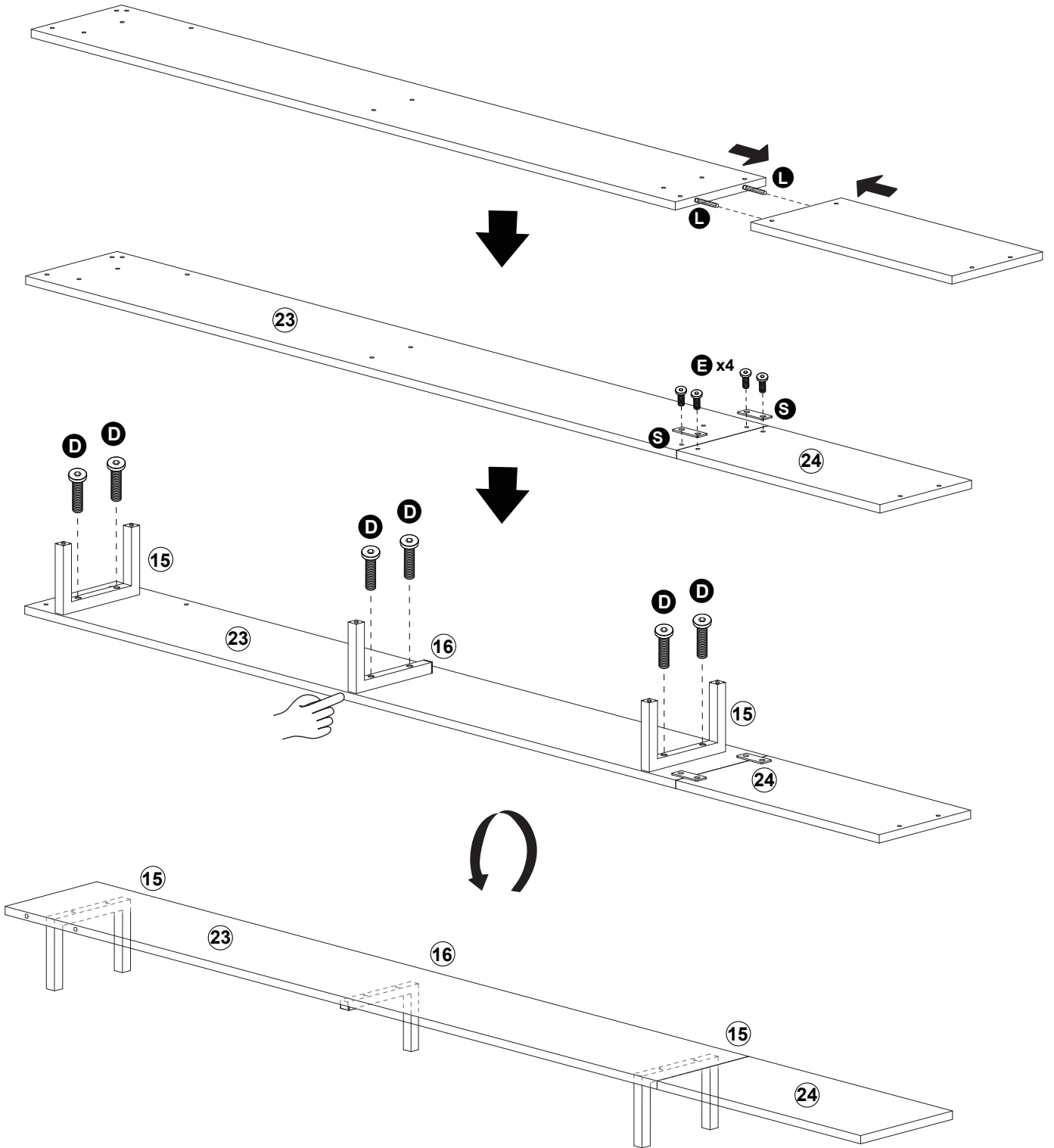


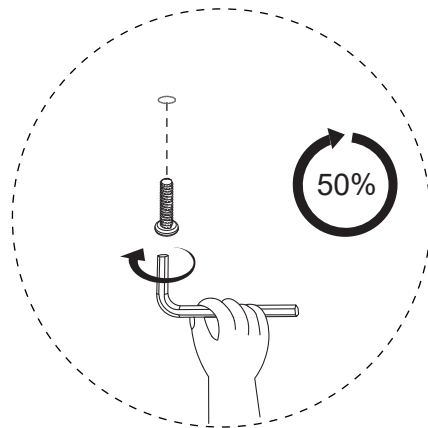
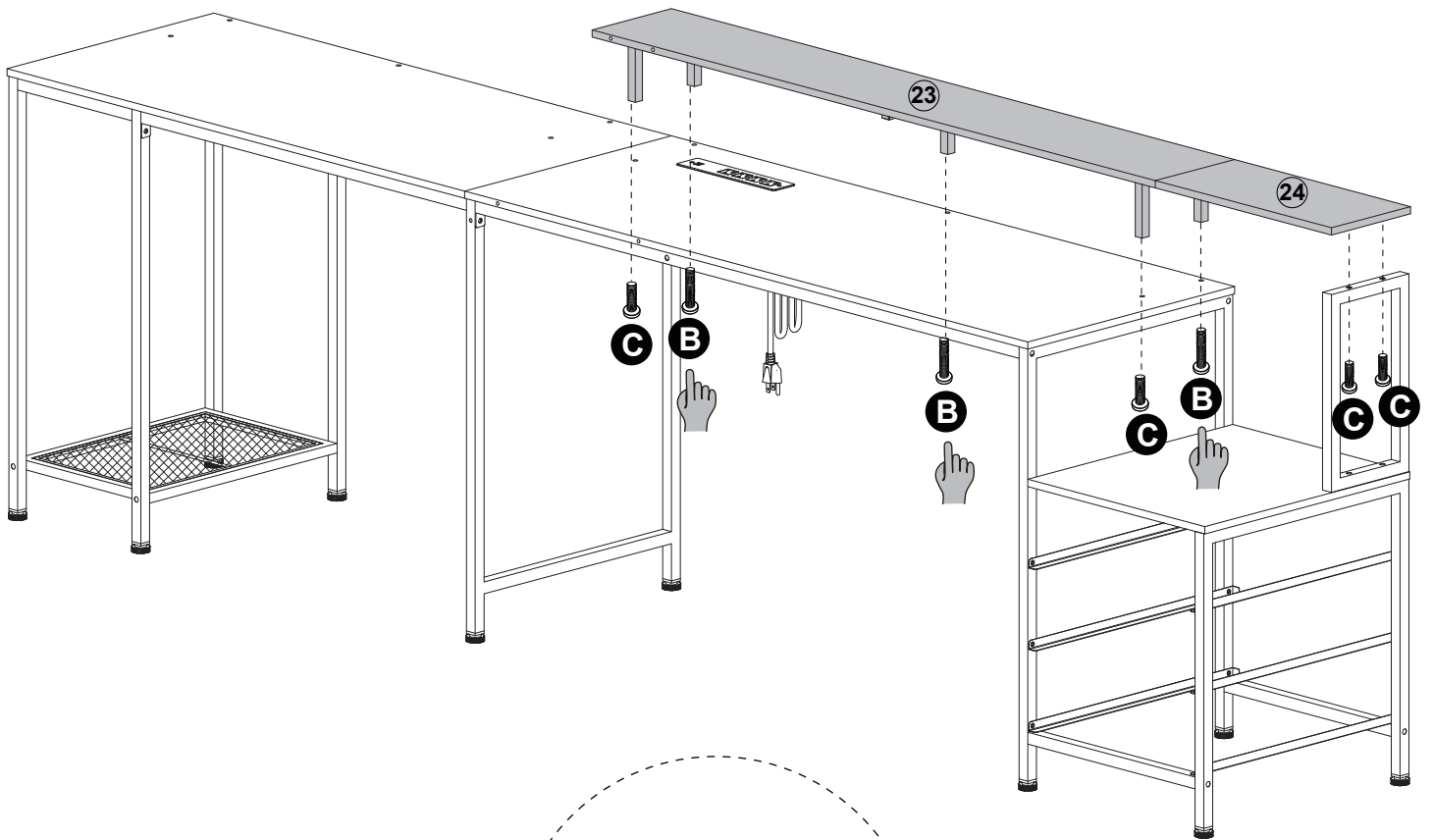
- I**  x2
- N**  x2

# ASSEMBLY INSTRUCTION 2

13

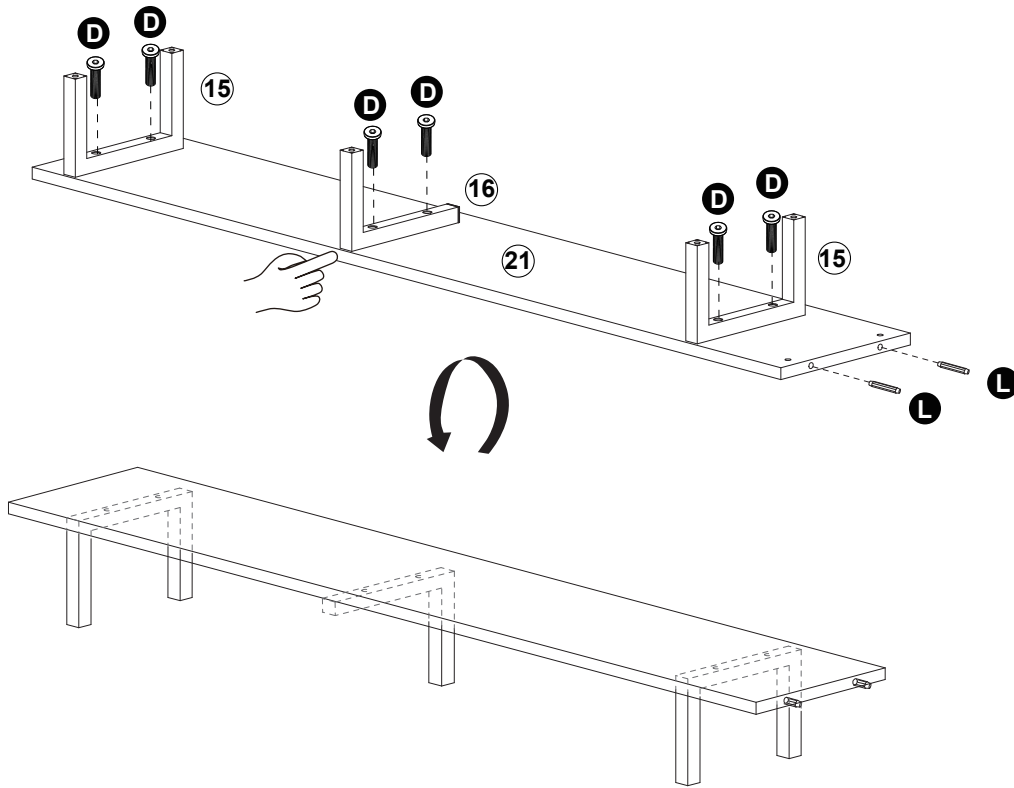
Note: Pay attention to the installation direction, dowels need to be inserted to the bottom.



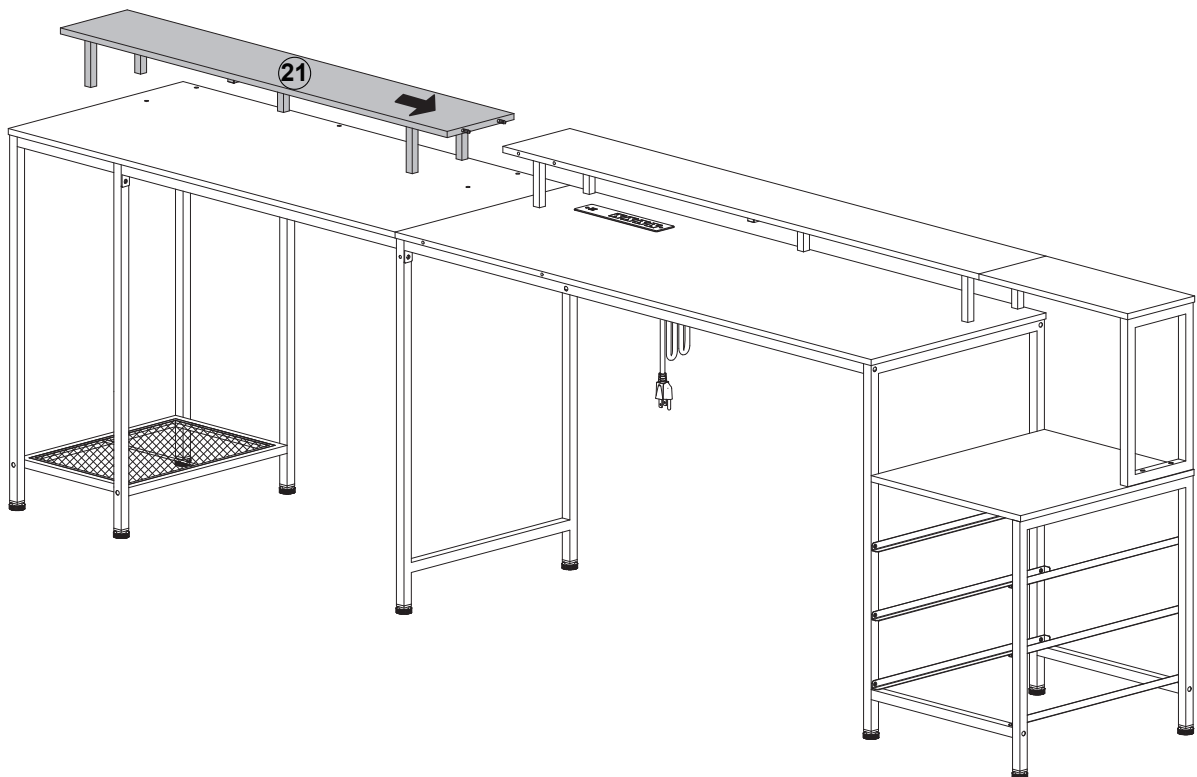


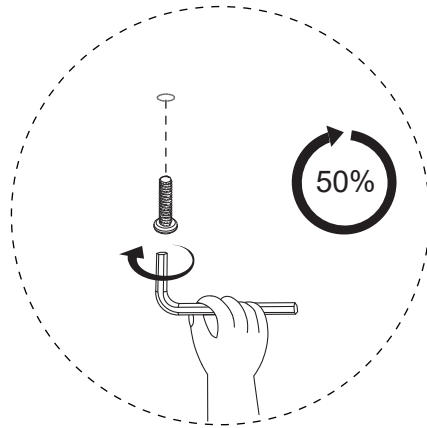
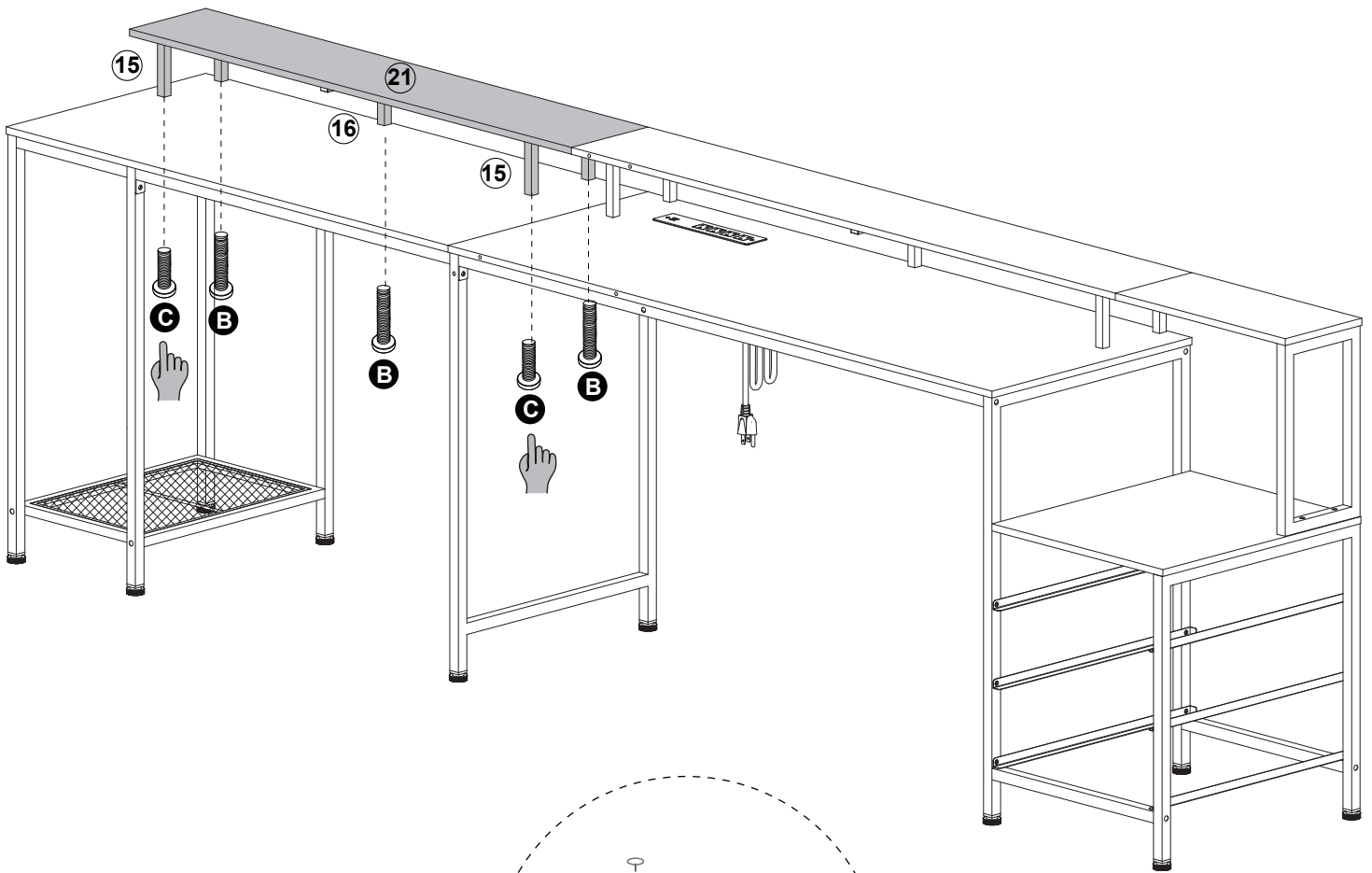
# ASSEMBLY INSTRUCTION 2

15



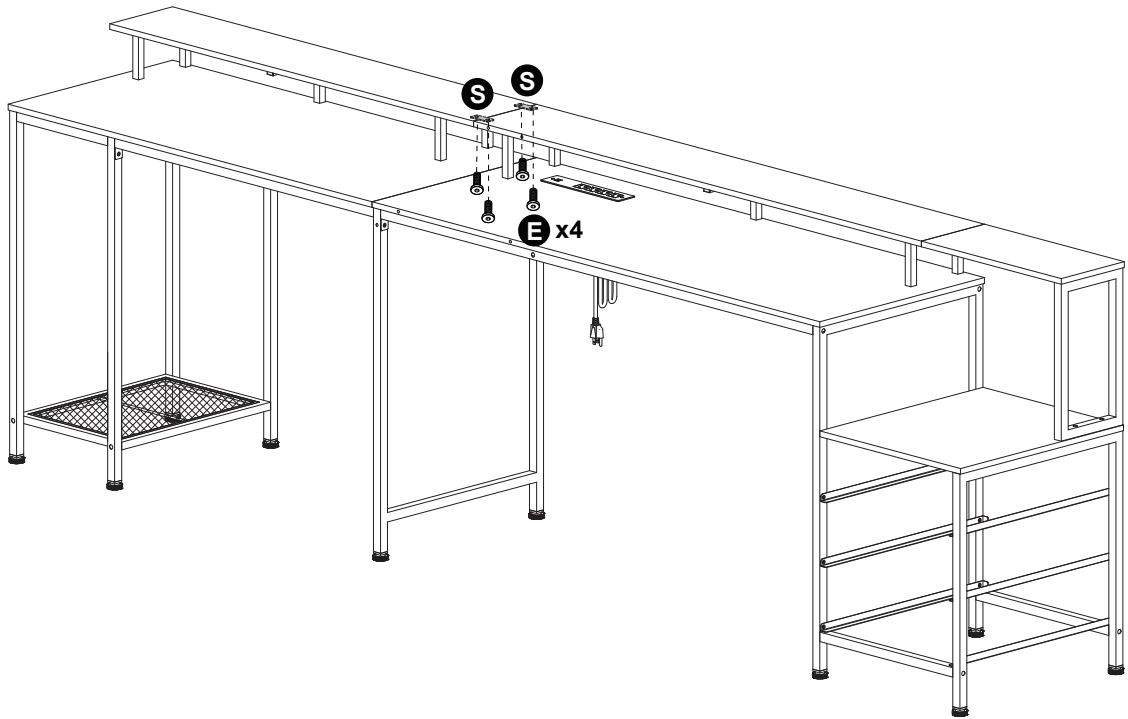
16



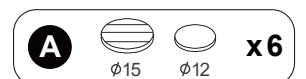
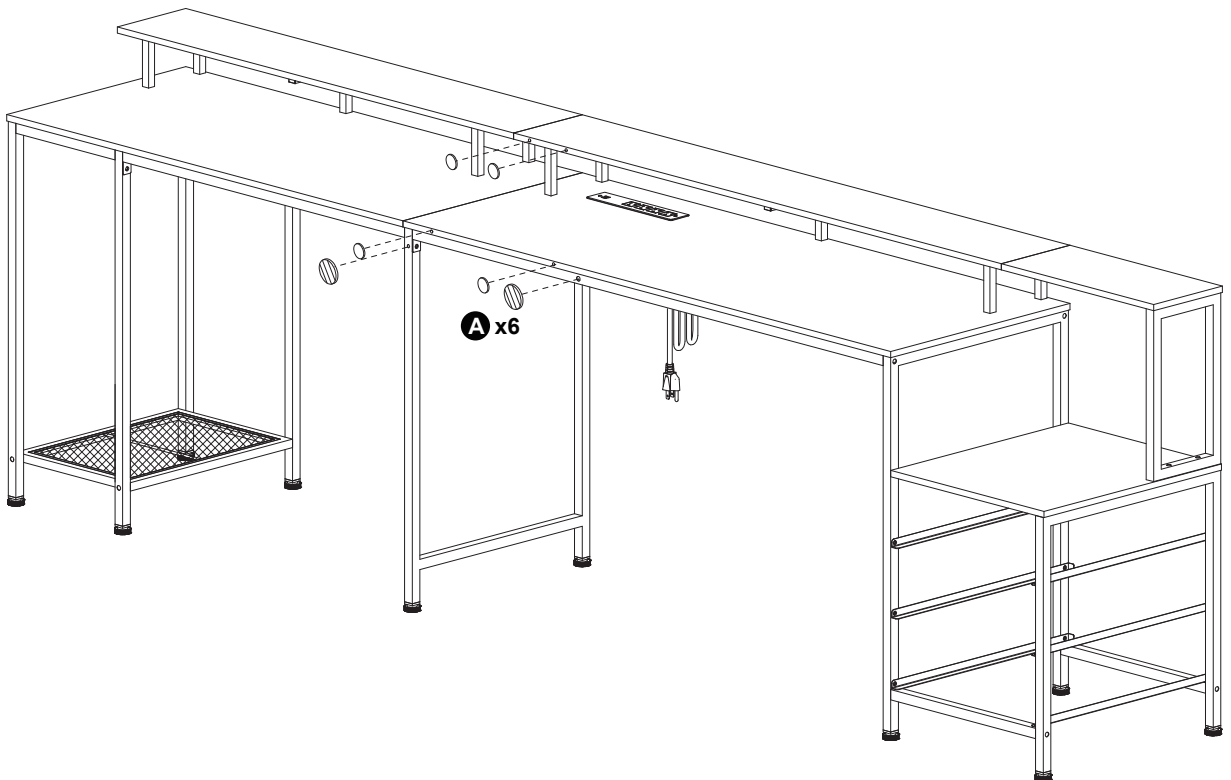


# ASSEMBLY INSTRUCTION 2

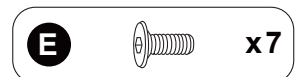
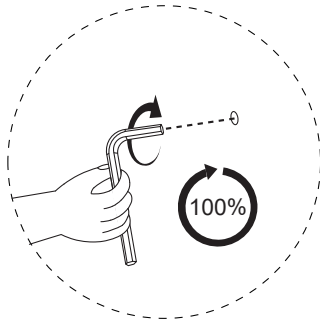
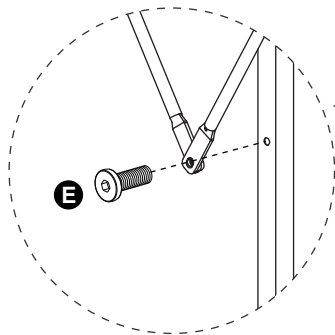
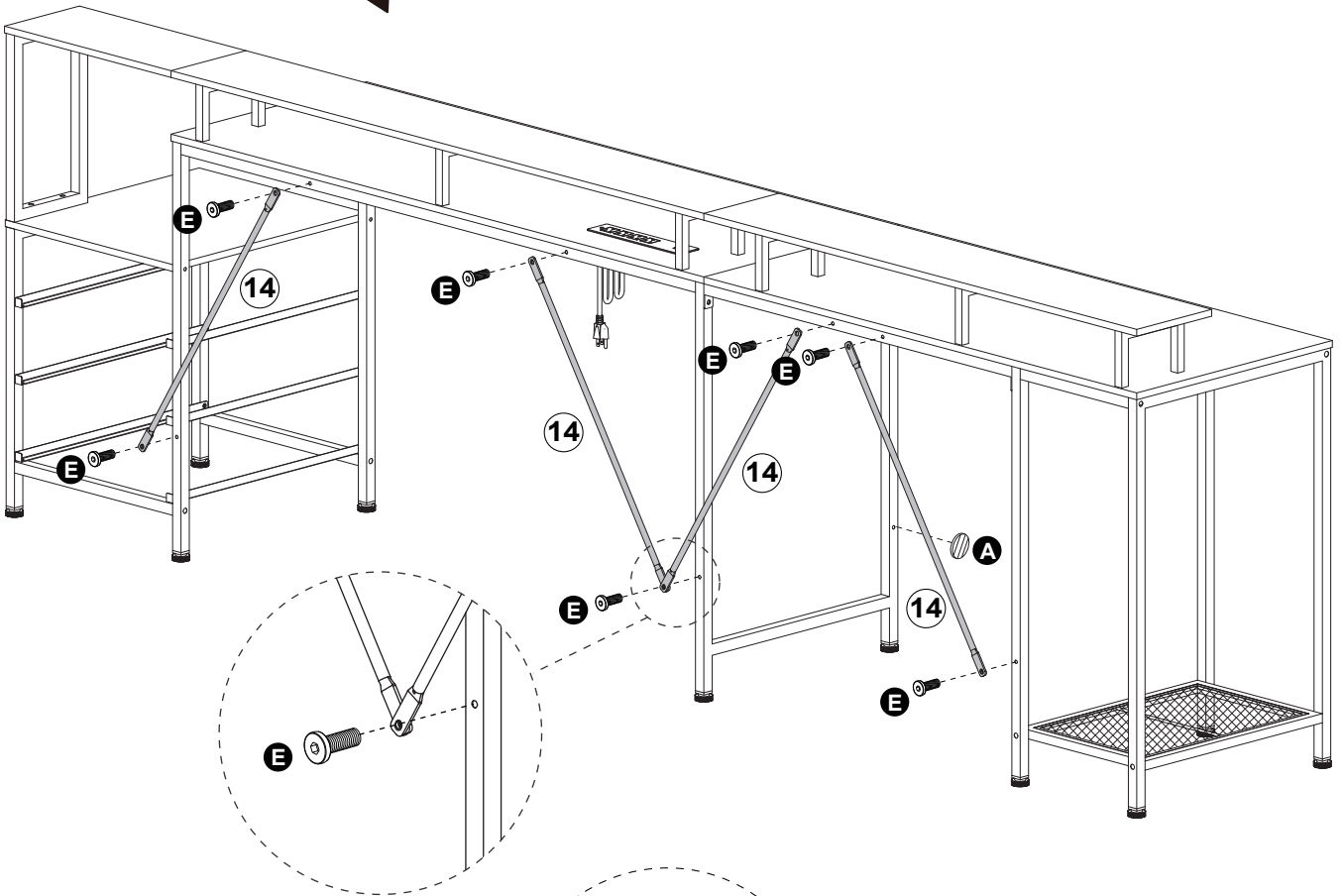
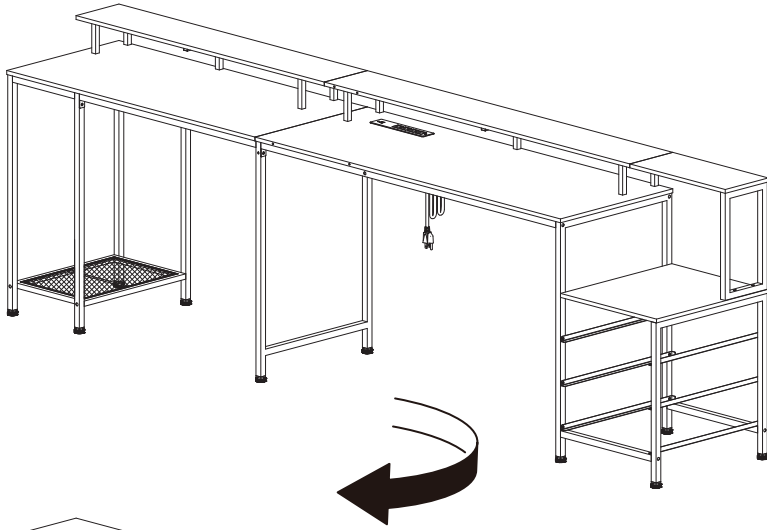
18

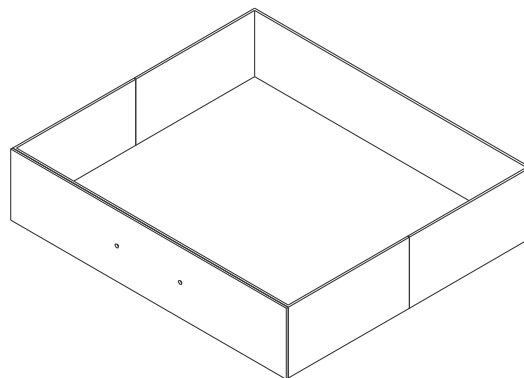
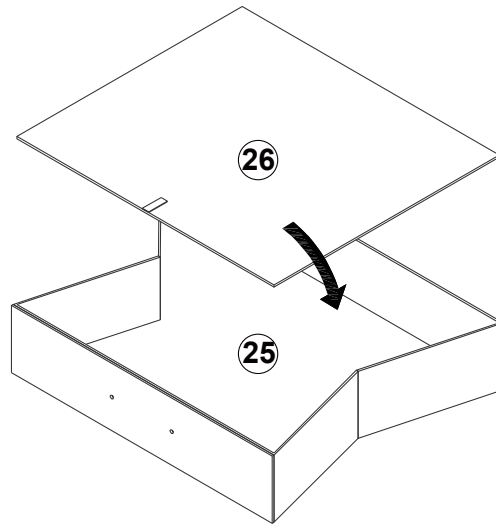


19

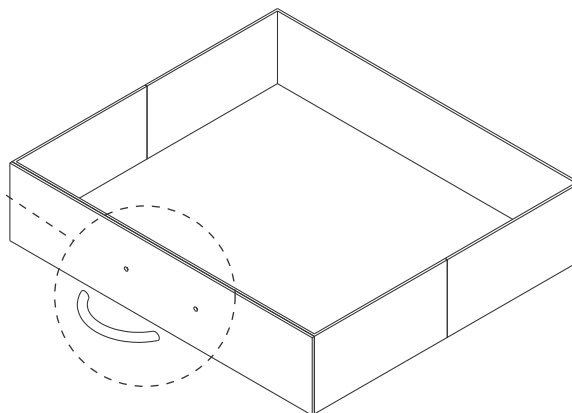
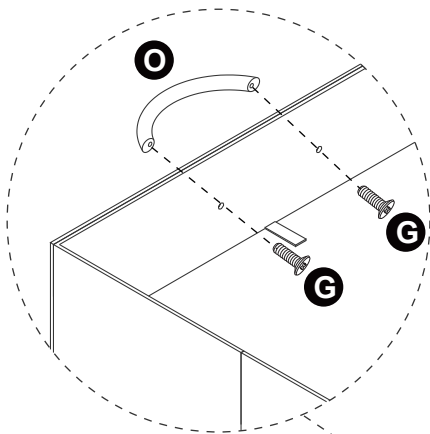


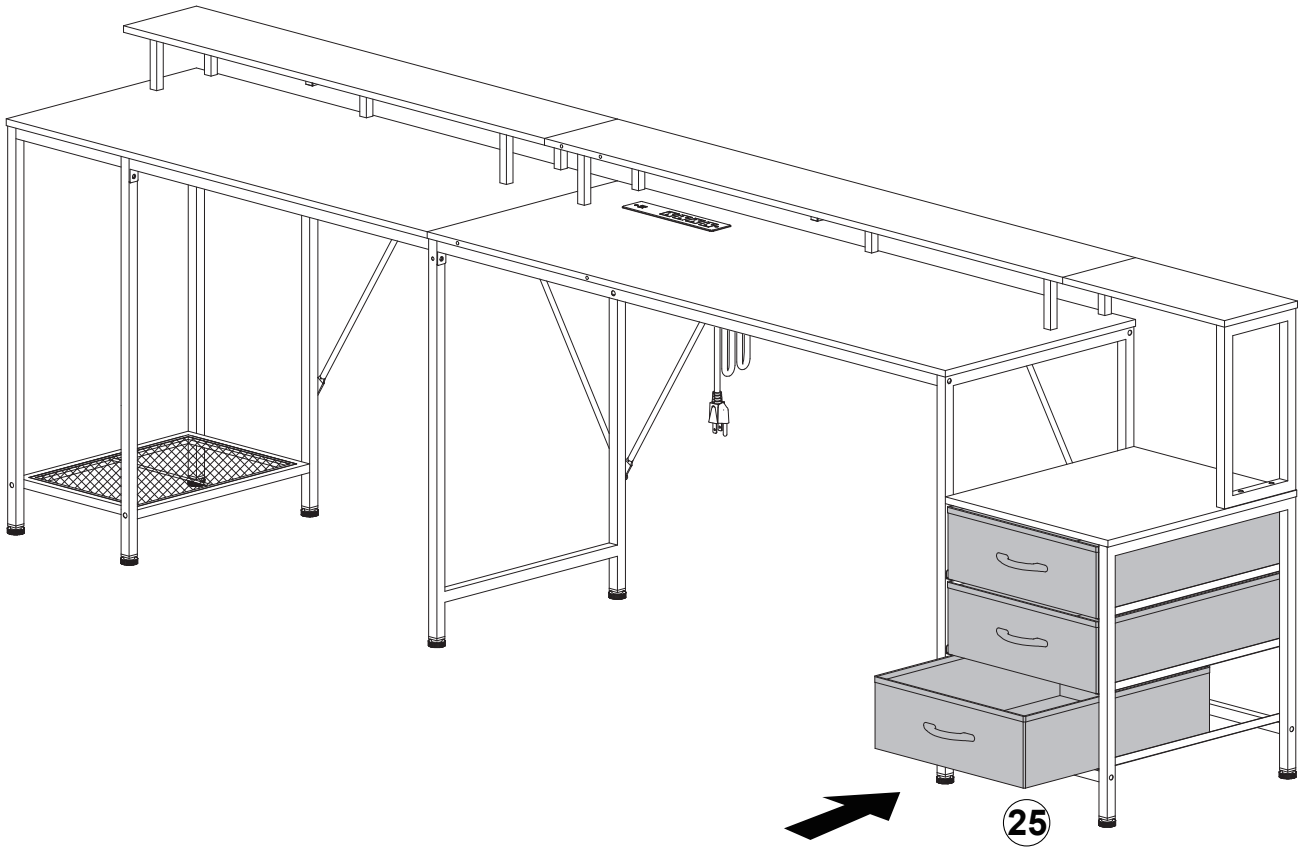
20



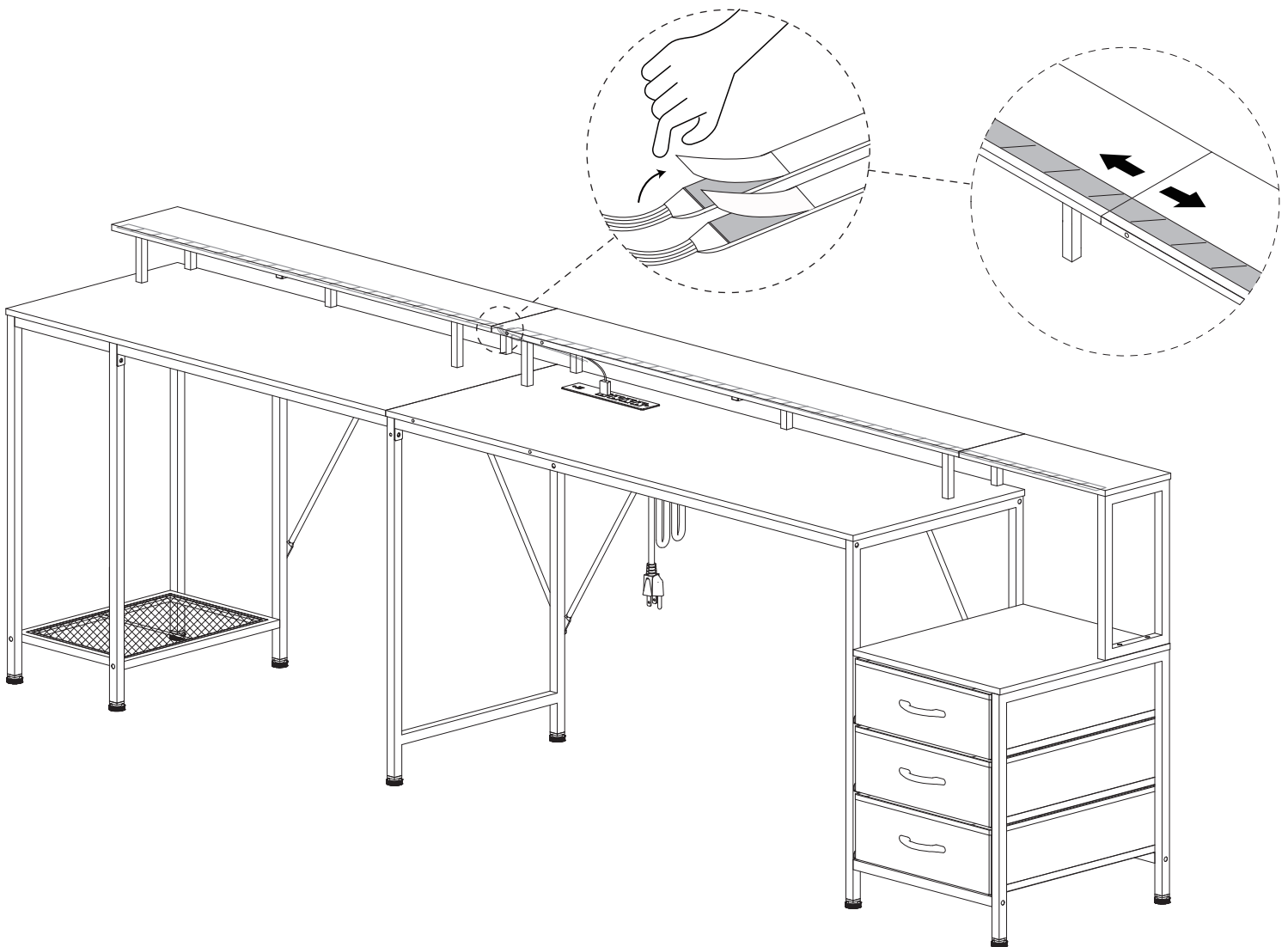


**X3**

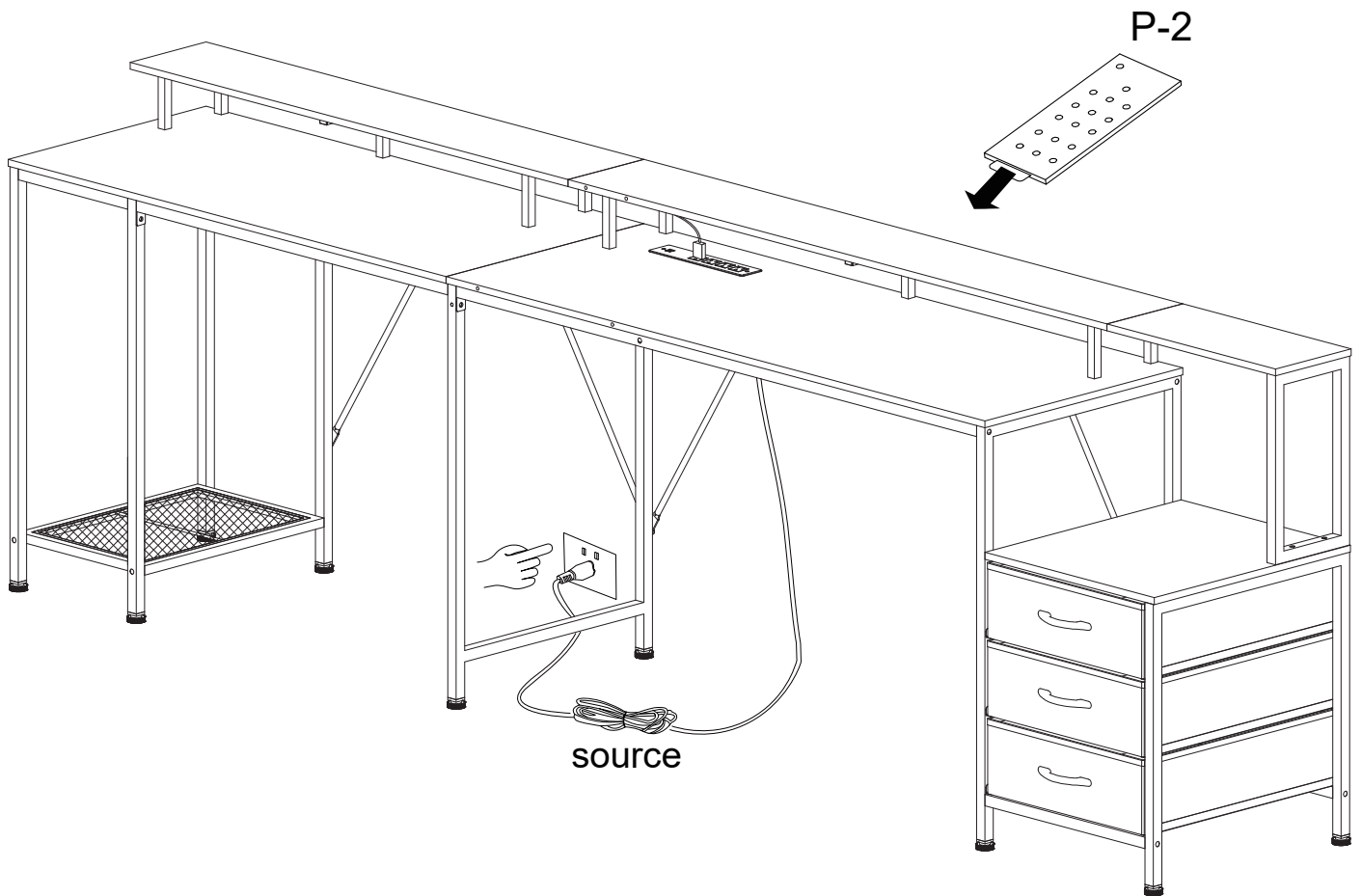




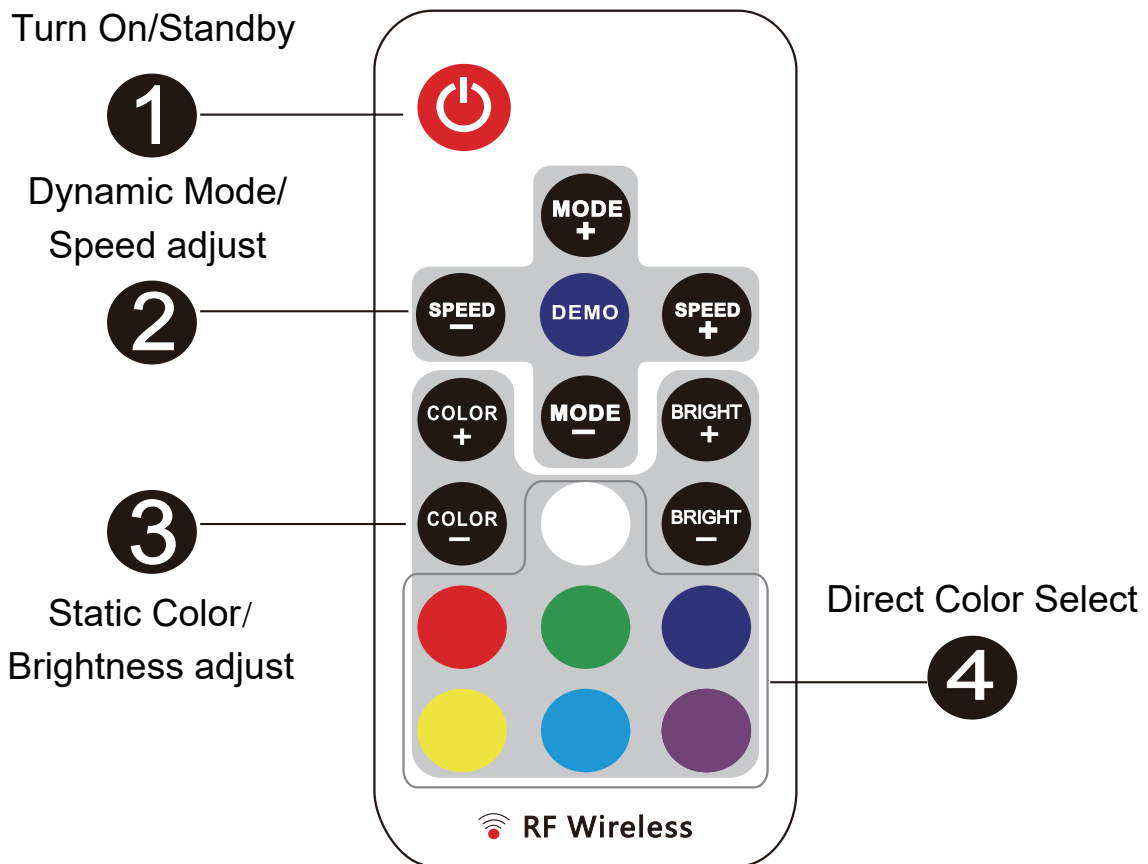
Note: When pasting the LED strip in the position as shown, peel off the double-sided tape. Don't tear off the bottom side of the tape. After pasting the tail, you can use the cable ties to organize the wires.



Note: Please power on the LED strip, remove the plastic piece inside the remote, and control the strip.



# ASSEMBLY INSTRUCTION



## Specification

Dynamic mode	22 modes
Static Color	20 colors
PWM Grade	256 levels
Brightness Grade	5 levels
Speed Grade	10 levels
Demo mode	Yes
Direct Color Select	Yes
Output Color Switchable	Yes, 6 options
Working Voltage	DC 5~24V
Output Current	3x4A peak, 3x2A constant
Remote frequency	433.92MHz