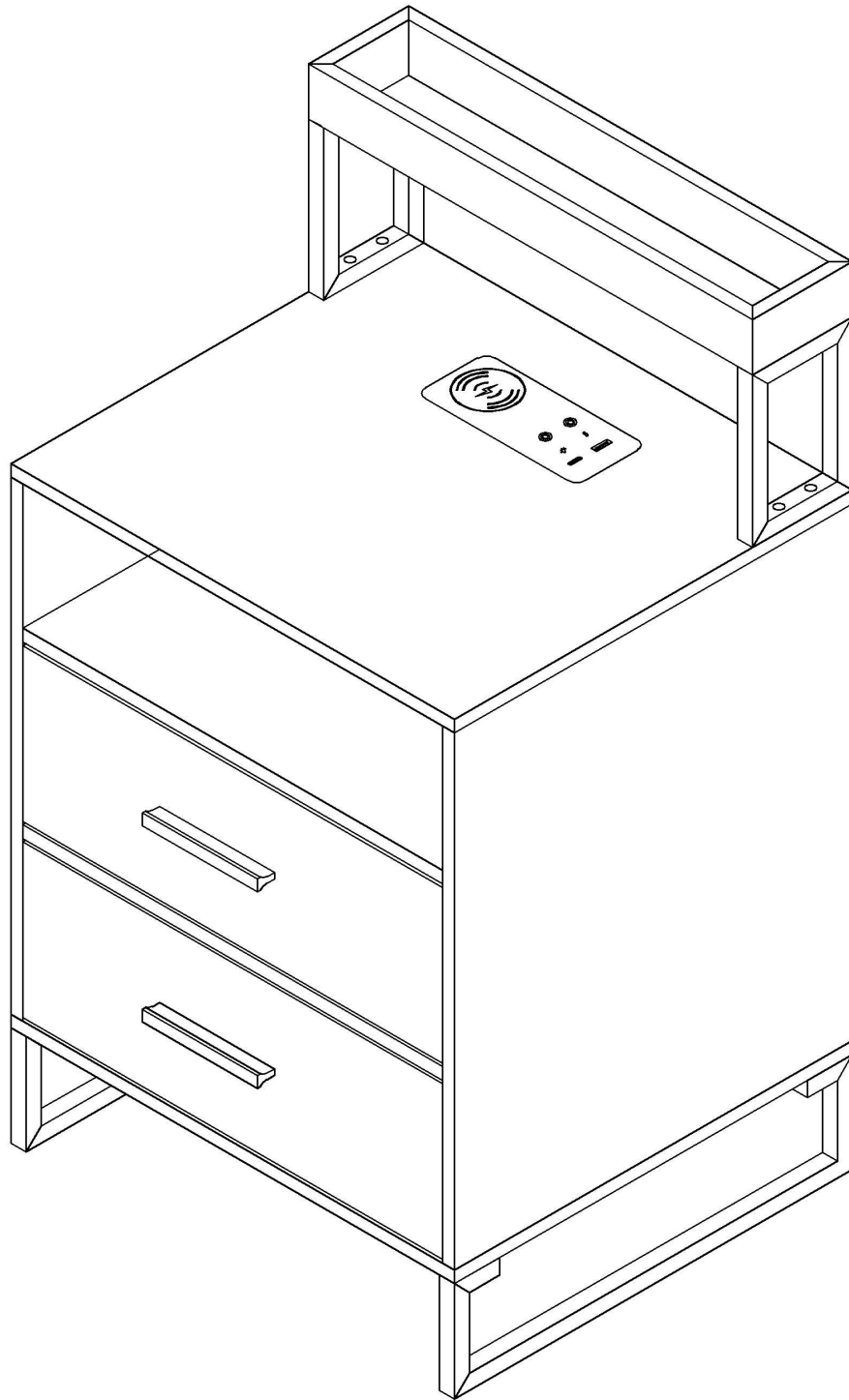
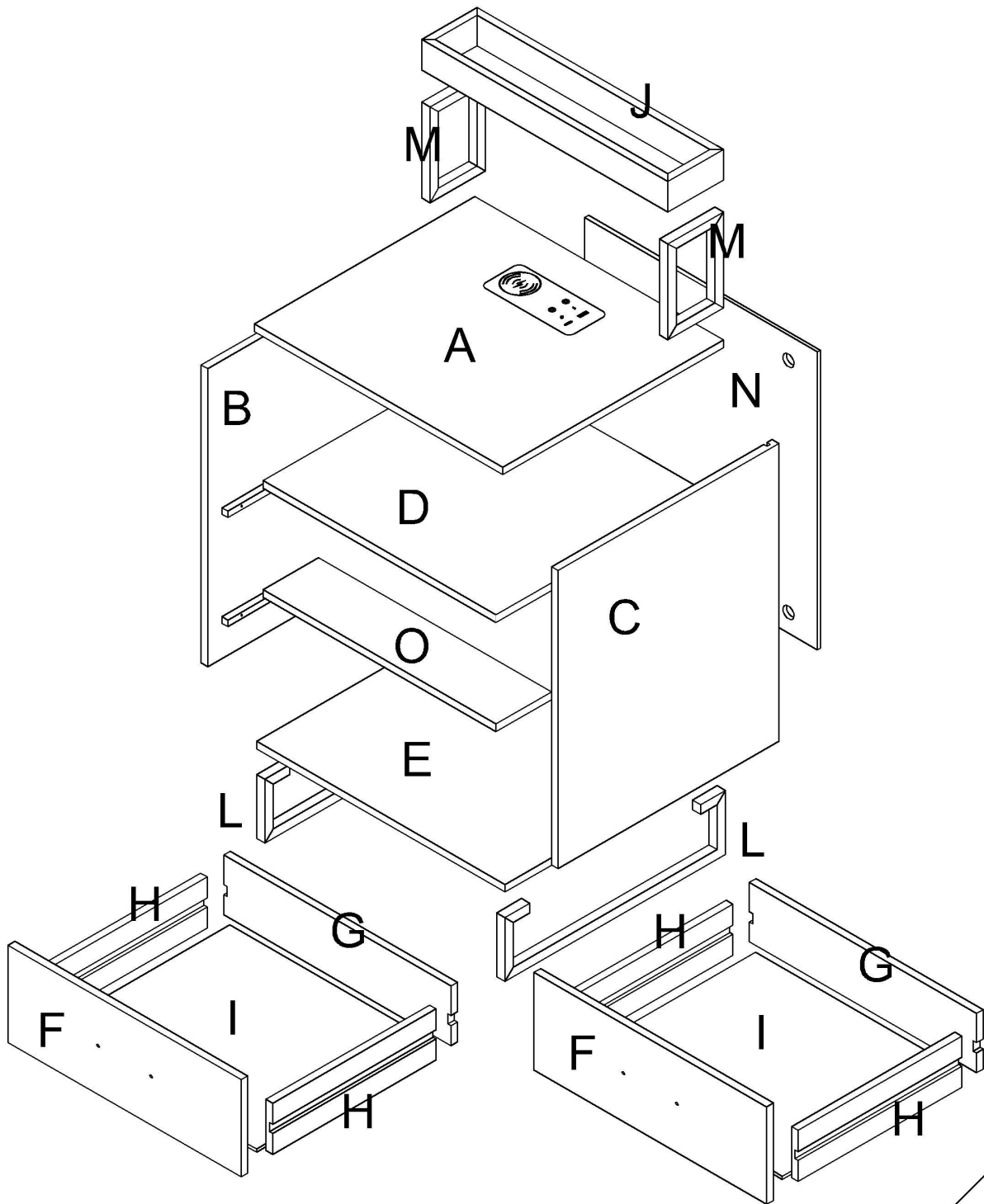


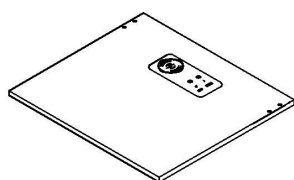
Vanity Table Manual



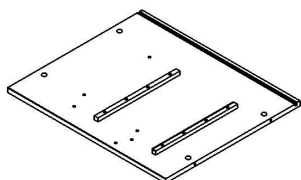
Vanity Table Manual



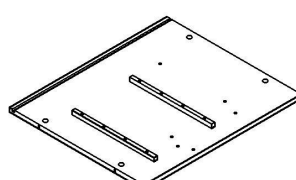
Hardware list



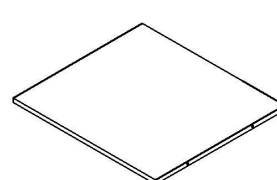
Ax1



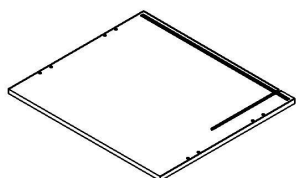
Bx1



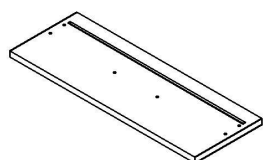
Cx1



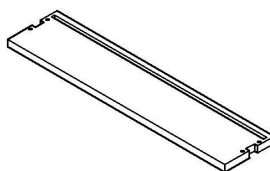
Dx1



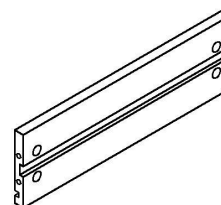
Ex1



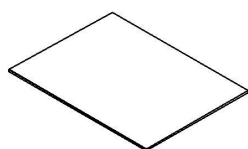
Fx2



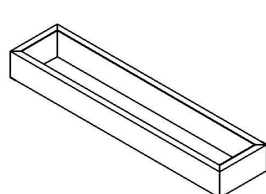
Gx2



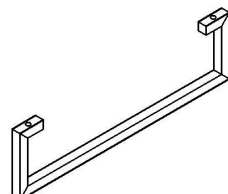
Hx4



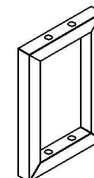
Ix2



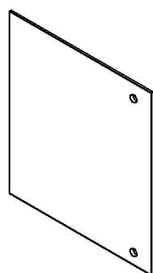
Jx1



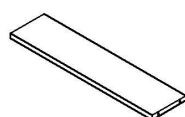
Lx2



Mx2

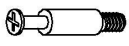



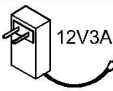
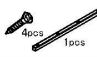


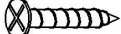










Nx1

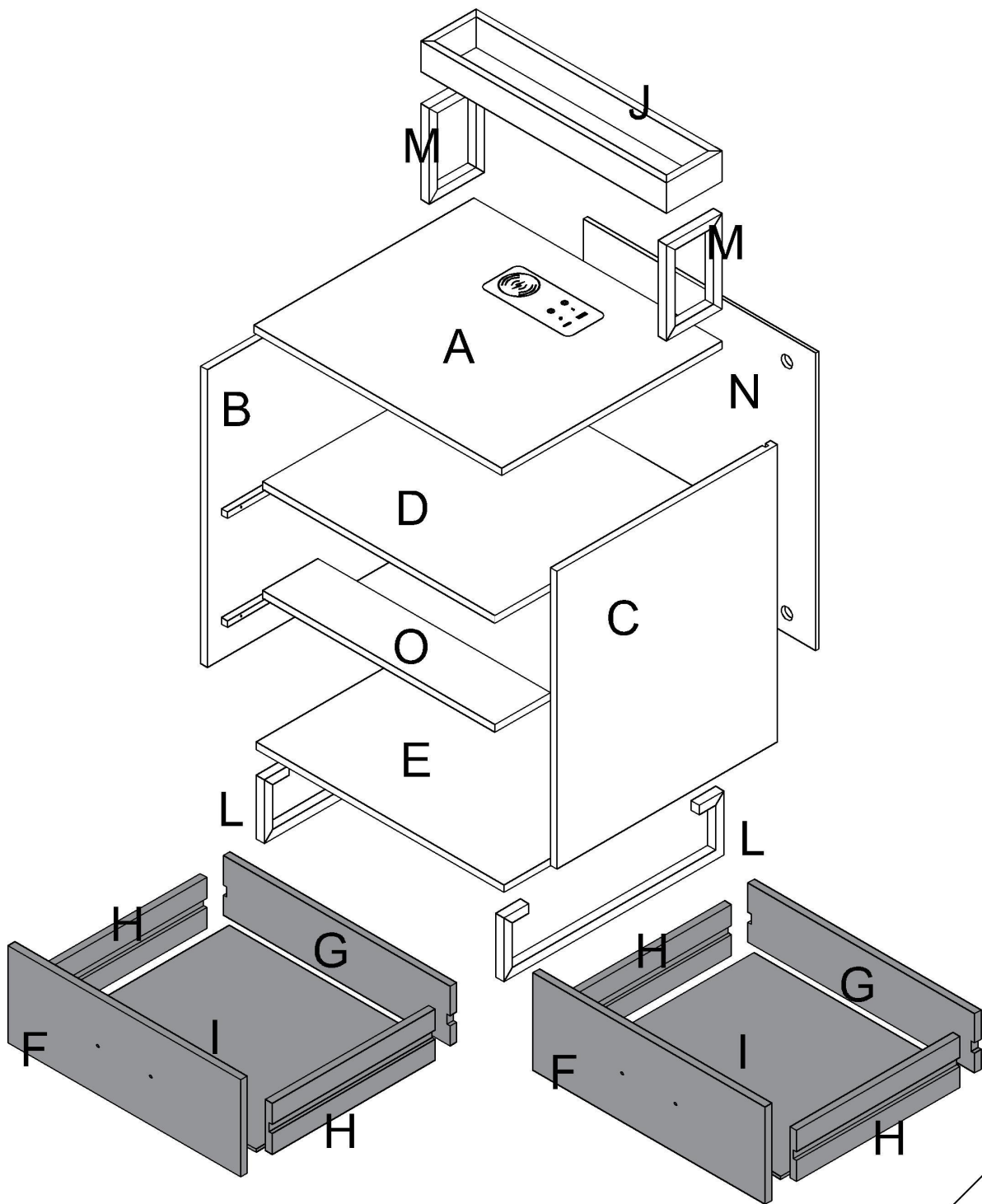


Ox1

Accessories list

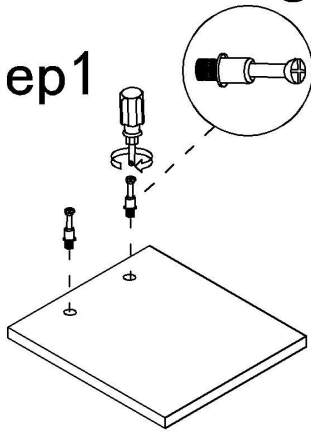
①		Two in one screw (6x28mm)	32 Pcs
②		Two in one nut (10x12mm)	32 Pcs
③	 1pcs 2pcs	Cross machine wire (4x16mm)	2 Pcs
④		Wood chipping (6x30mm)	8 Pcs
⑤	 12V3A	The power adapter	1 Pcs
⑥	 4pcs 1pcs	Countersunk head tapping screw (3.5x18mm)	4Pcs
⑦		Cross machine wire (8x20mm)	4 Pcs
⑧		Hexagonal machine wire (6x25mm)	8 Pcs
⑨		Self-tapping screws (5x40)	4 Pcs
⑪		Back plate buckle & Screw (3x16mm)	4Pcs
⑫		Laminate Support Nail	2 Pcs
⑬		Cross screwdriver	1 Pcs
⑭	 4pcs 1pcs	Countersunk head tapping screw (4x45mm)	1 Pcs
⑮		anti-tipping tape	1 Pcs
⑯		Countersunk head tapping screw(4x16mm) gasket	1 Pcs
⑰		Hexagon socket screwdriver H4	1 Pcs
⑱		Hooking	2 Pcs

Vanity Table Manual

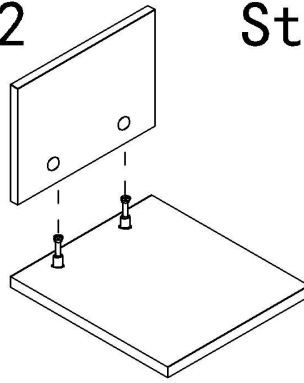


Use parts ① and ②

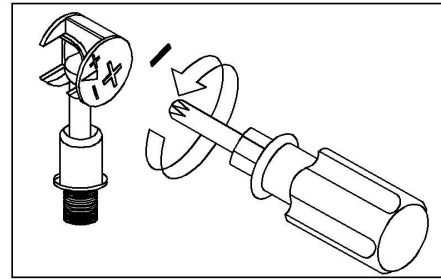
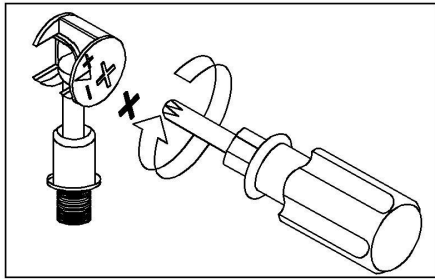
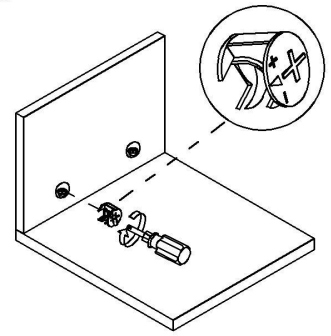
Step1



Step2

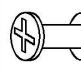


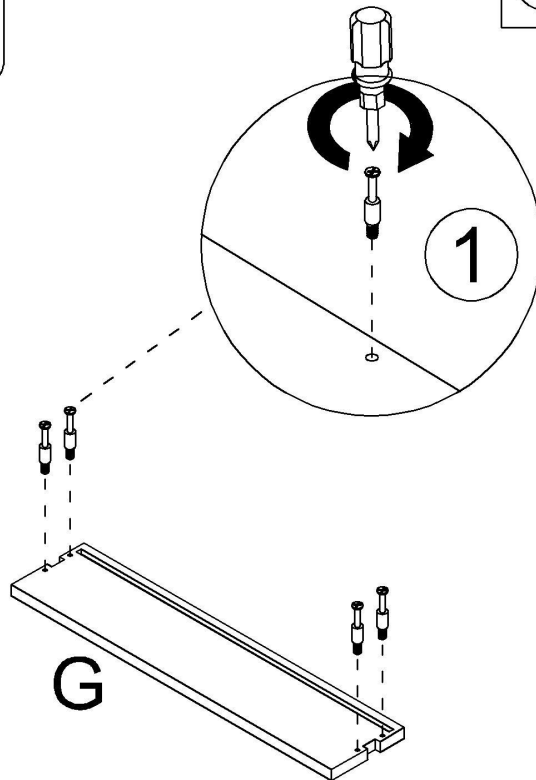
Step3



Use a screwdriver to lock in the direction of the "+" sign Disassemble along the direction of "-" sign

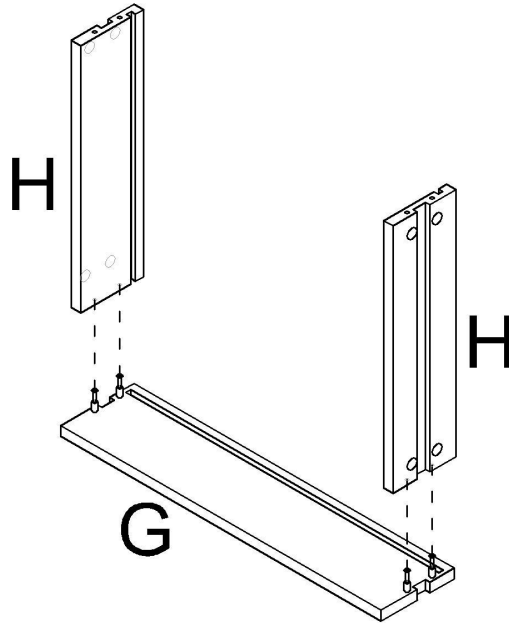
Step 1

①  x 4

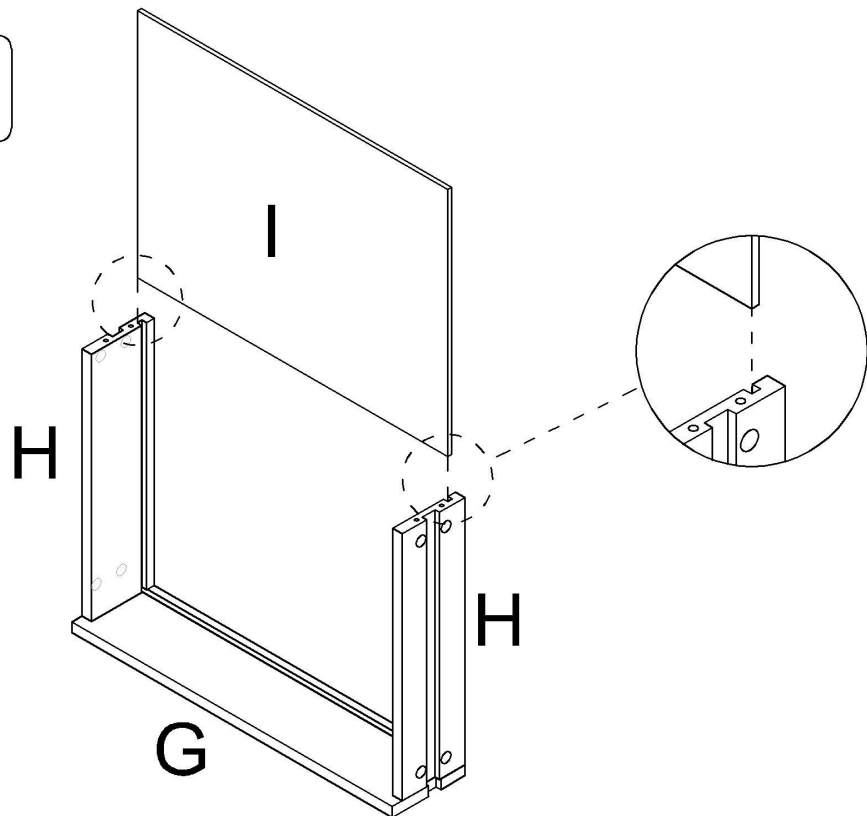


5

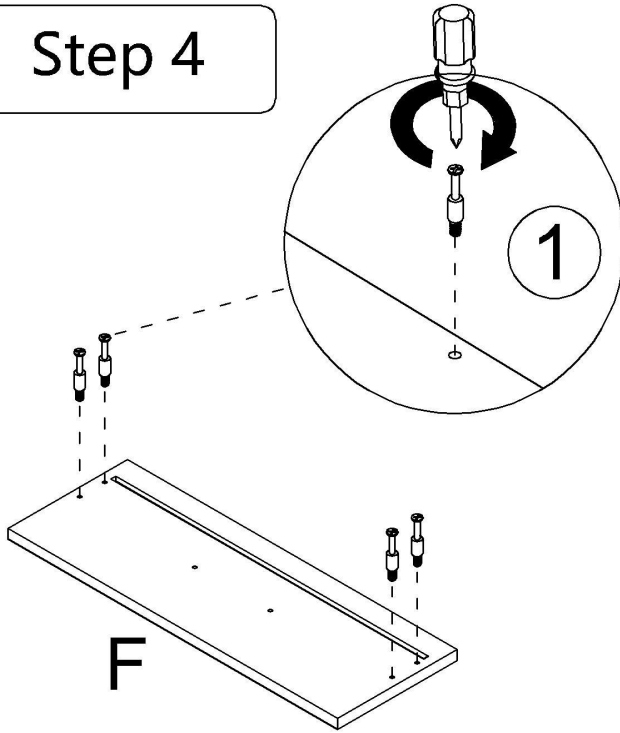
Step 2

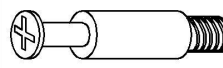
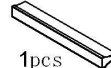



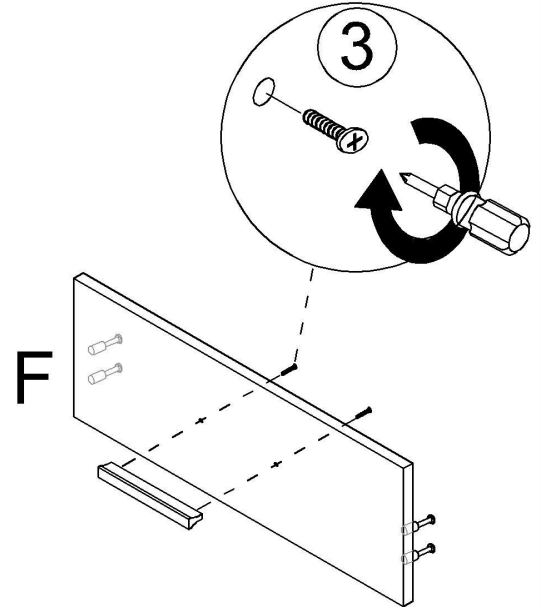
Step 3



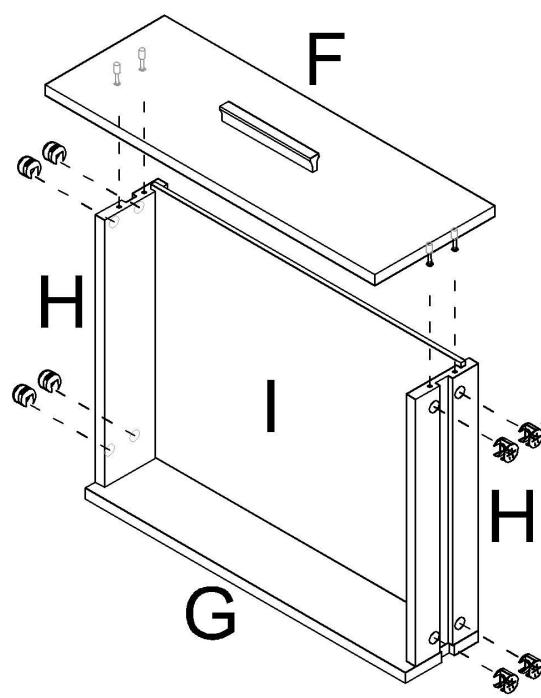
Step 4



- | | |
|---|--|
| 1 |  x 4 |
| 3 |  1pcs  x 1 |



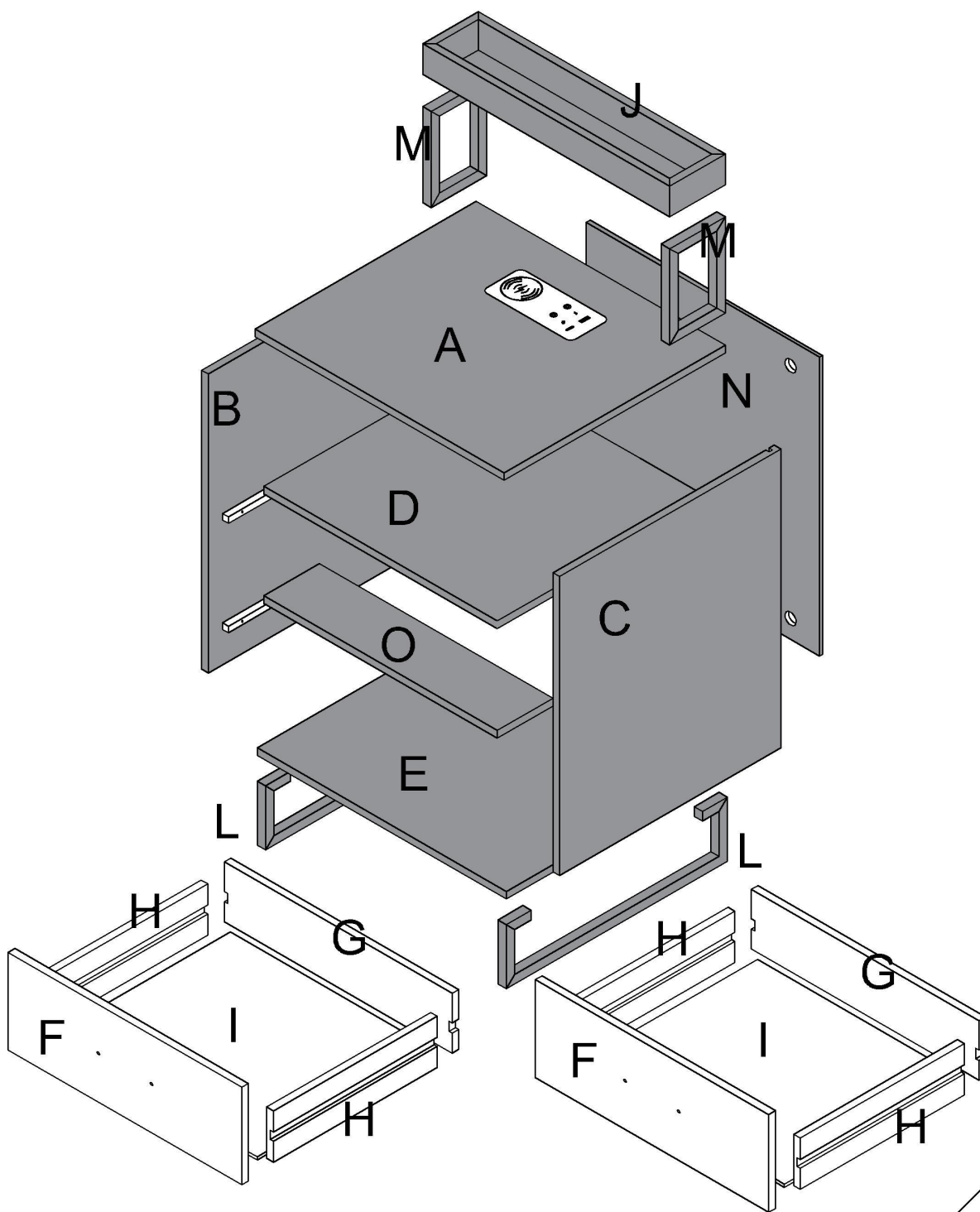
Step 5



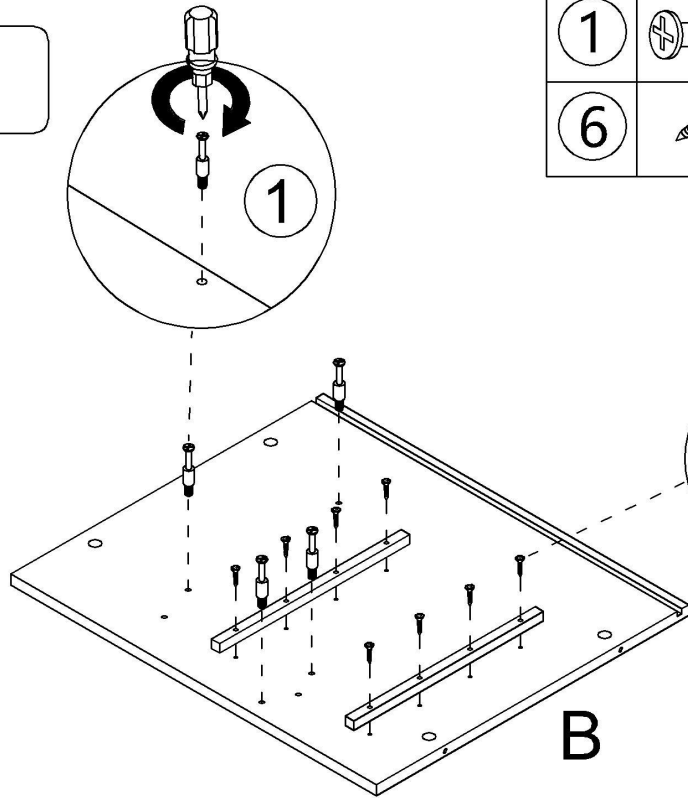
- | | |
|---|---|
| 2 |  x 8 |
|---|---|

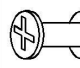

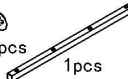
Repeat steps 1 to 5 for drawer installation

Vanity Table Manual

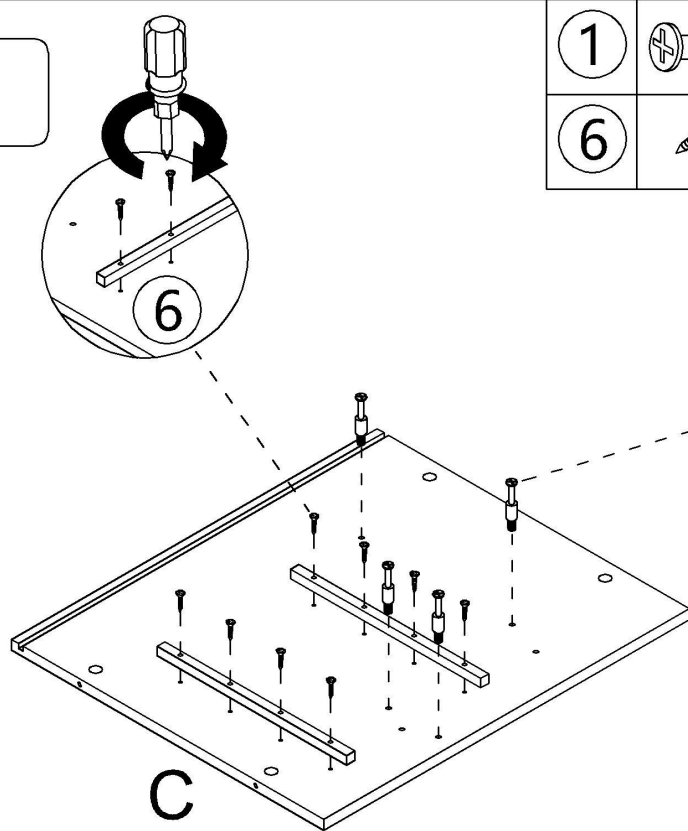


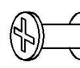

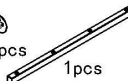
Step 6



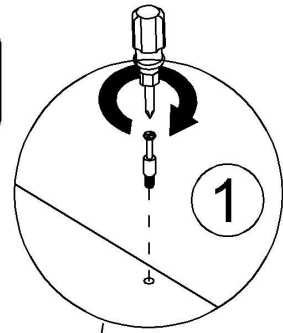
- | | |
|---|---|
| 1 |  x 4 |
| 6 |  4pcs  1pcs x 2 |

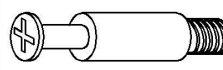
Step 7



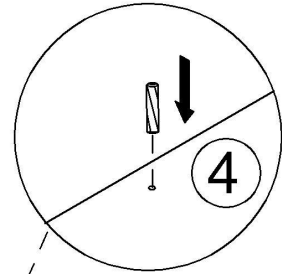
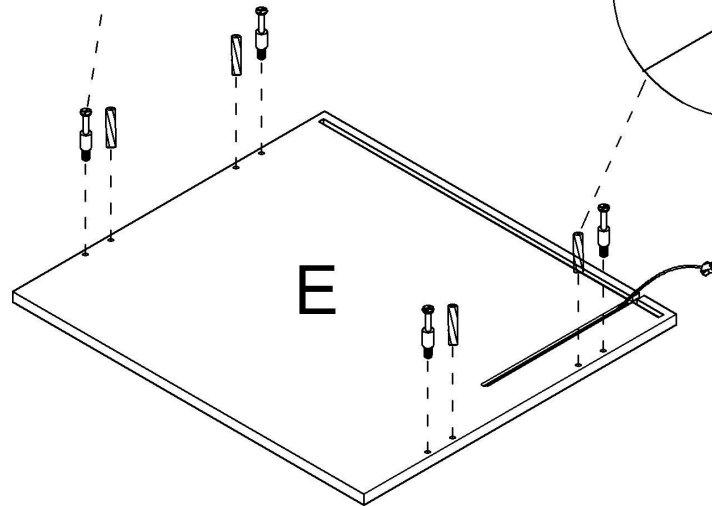
- | | |
|---|---|
| 1 |  x 4 |
| 6 |  4pcs  1pcs x 2 |

Step 8



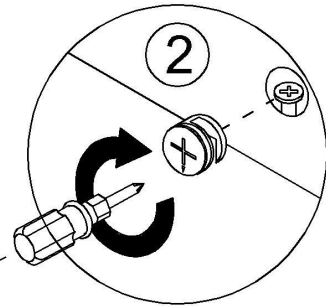
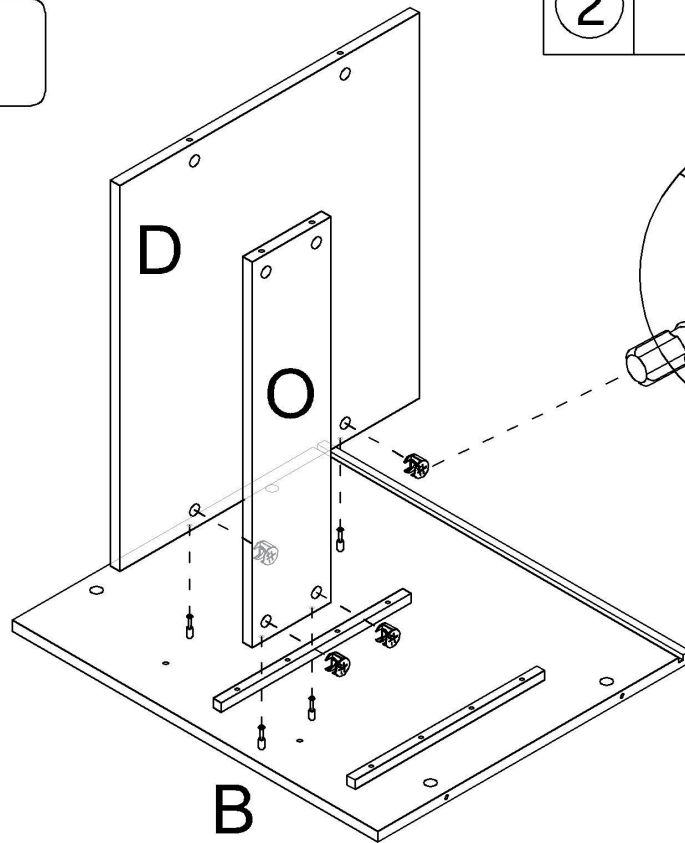
1  x 4

4  x 4




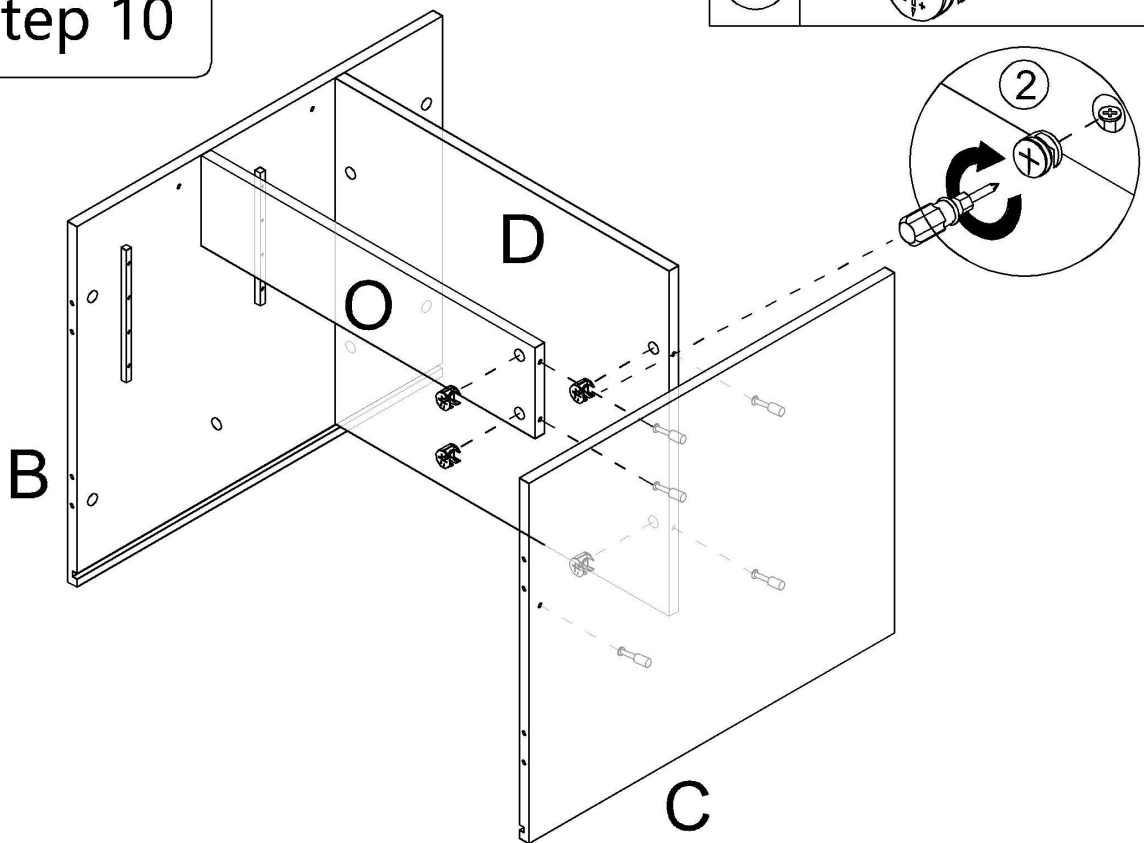
Step 9

2  x 4




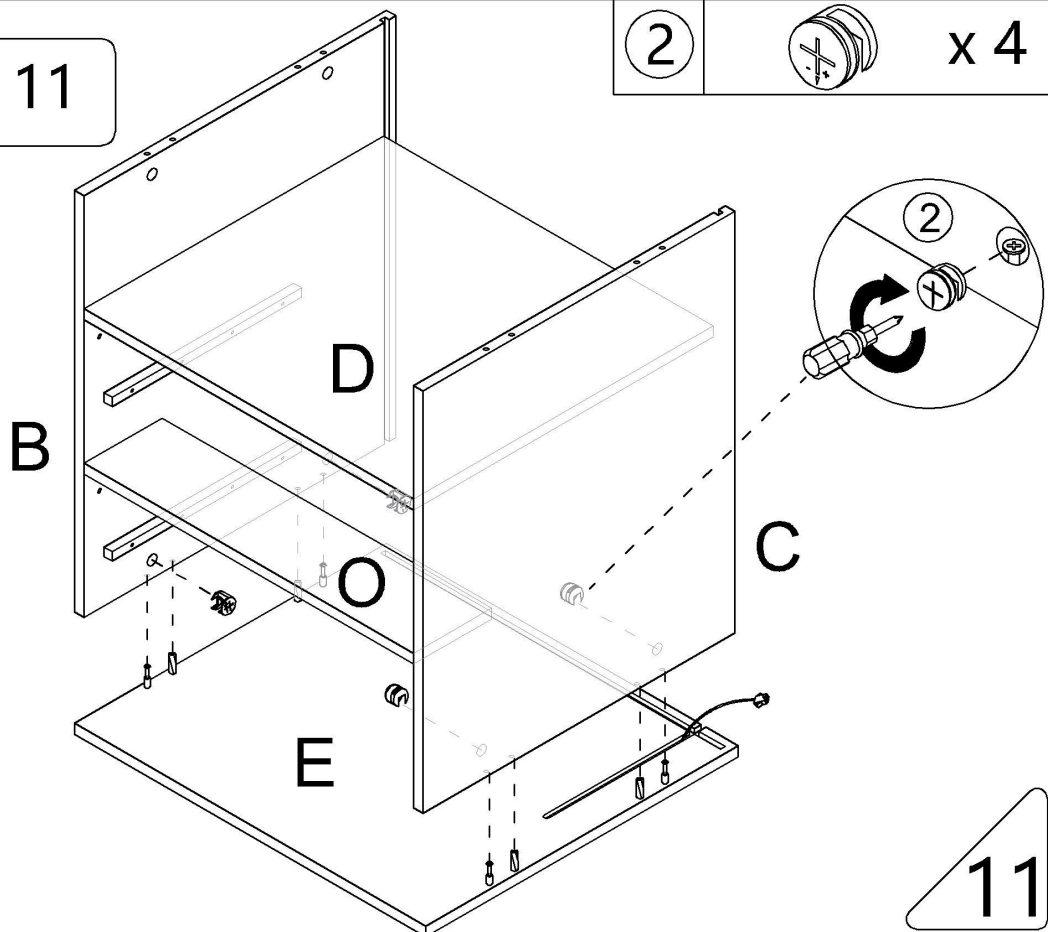
Step 10

2  x 4

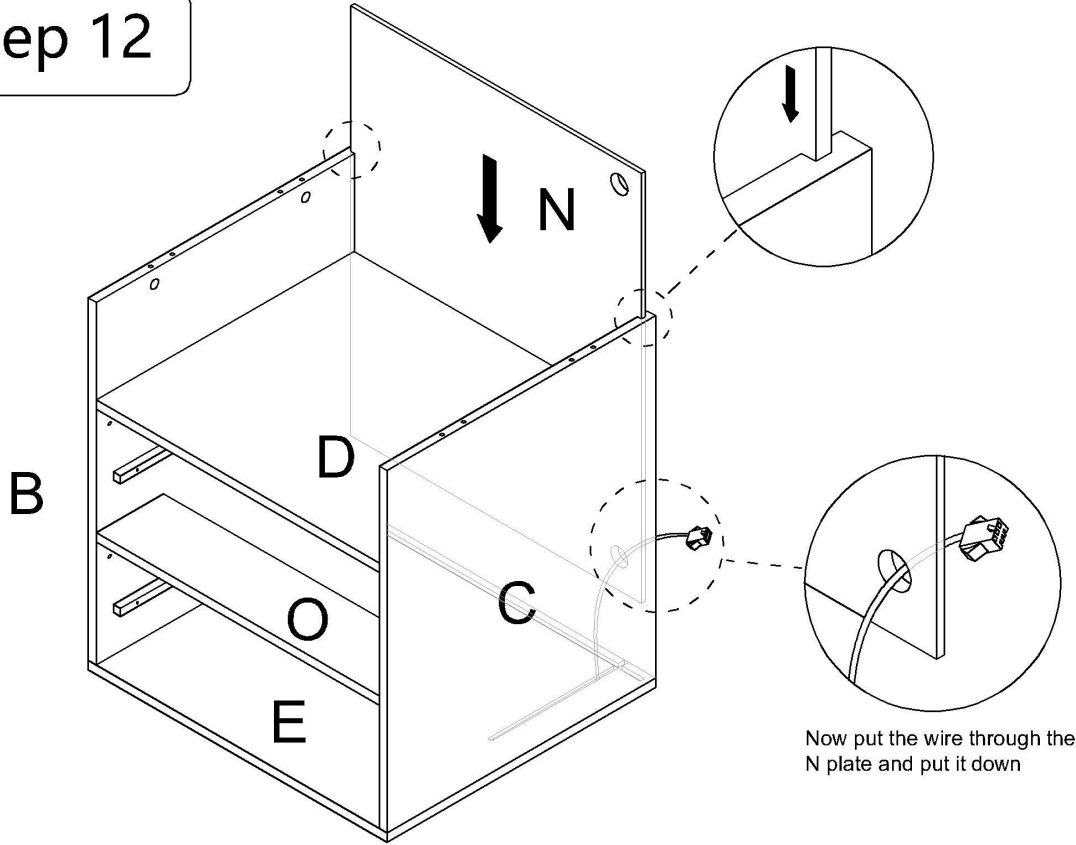


Step 11

2  x 4

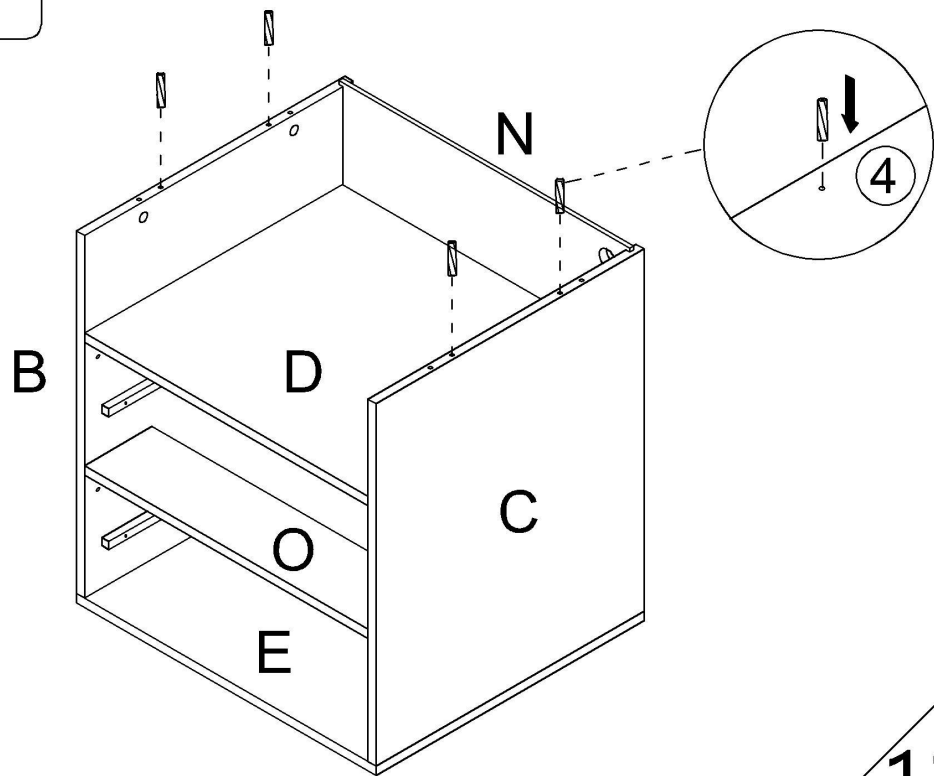


Step 12



Step 13

④  x 4



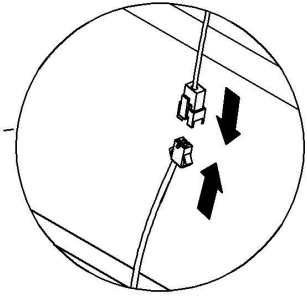
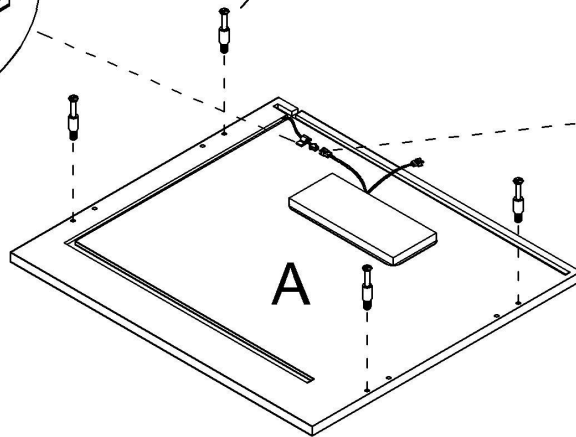
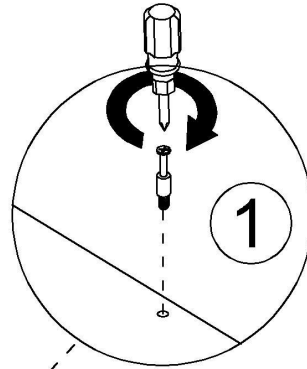
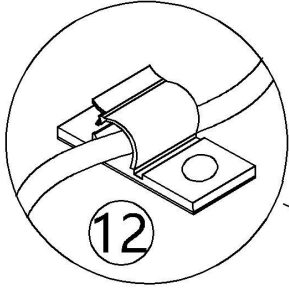
Step 14

1

 x 4

12

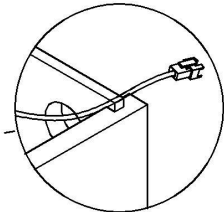
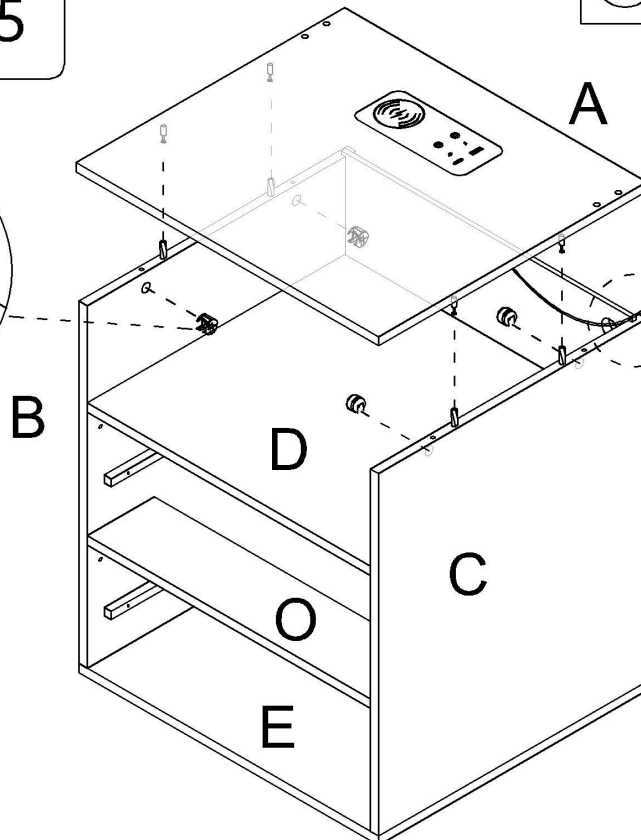
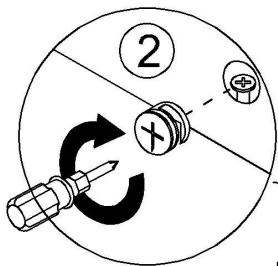
 x 1



Step 15

2

 x 4



Now put the thread through the A plate and put it down

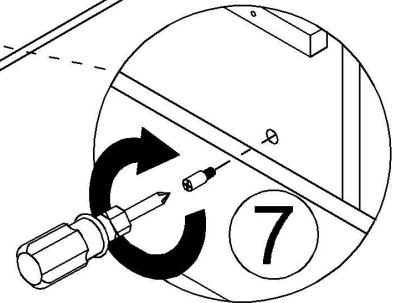
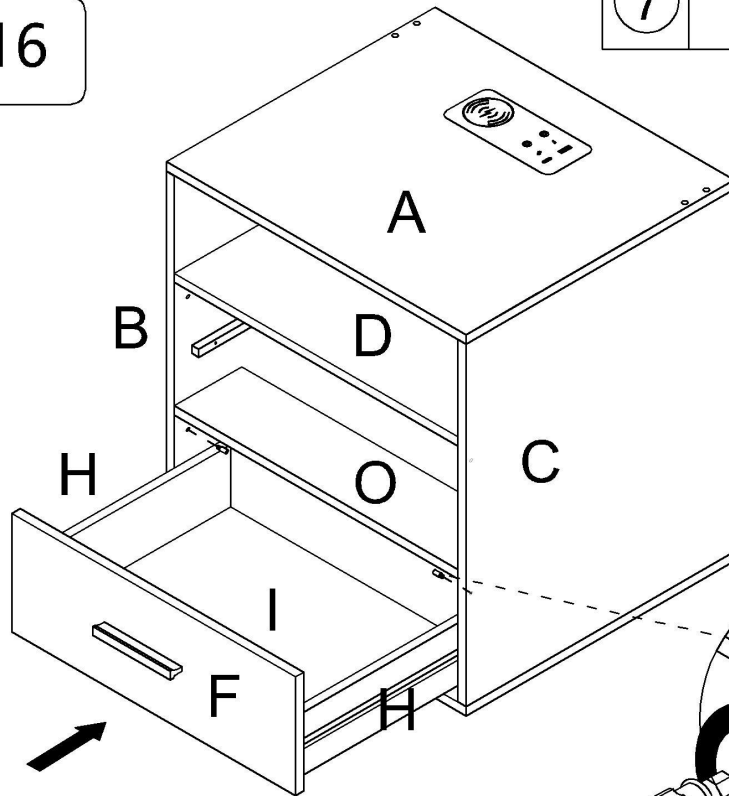
13

Step 16

7



x 2

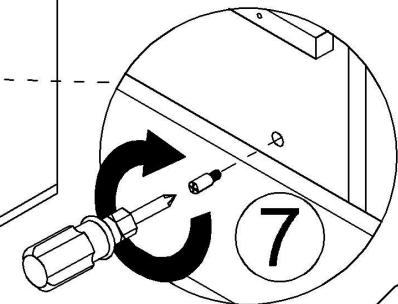
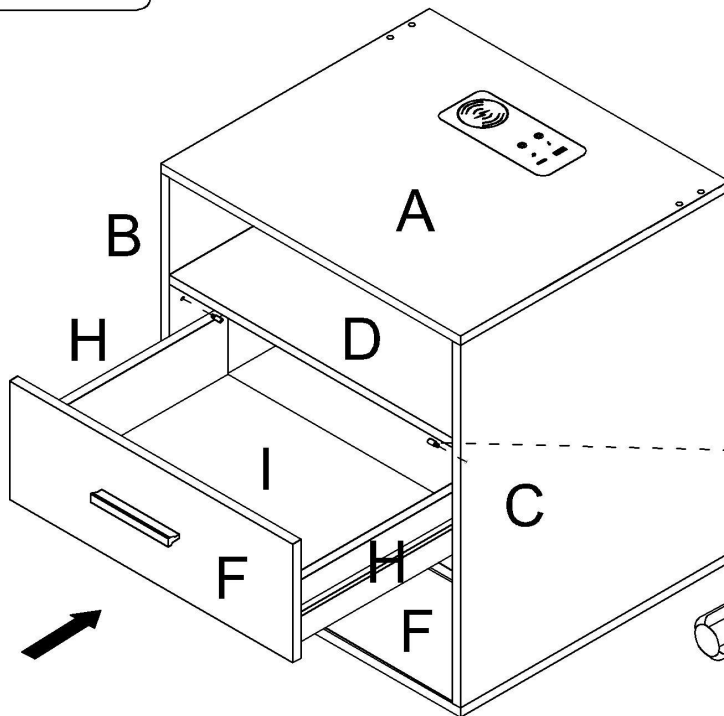


Step 17

7



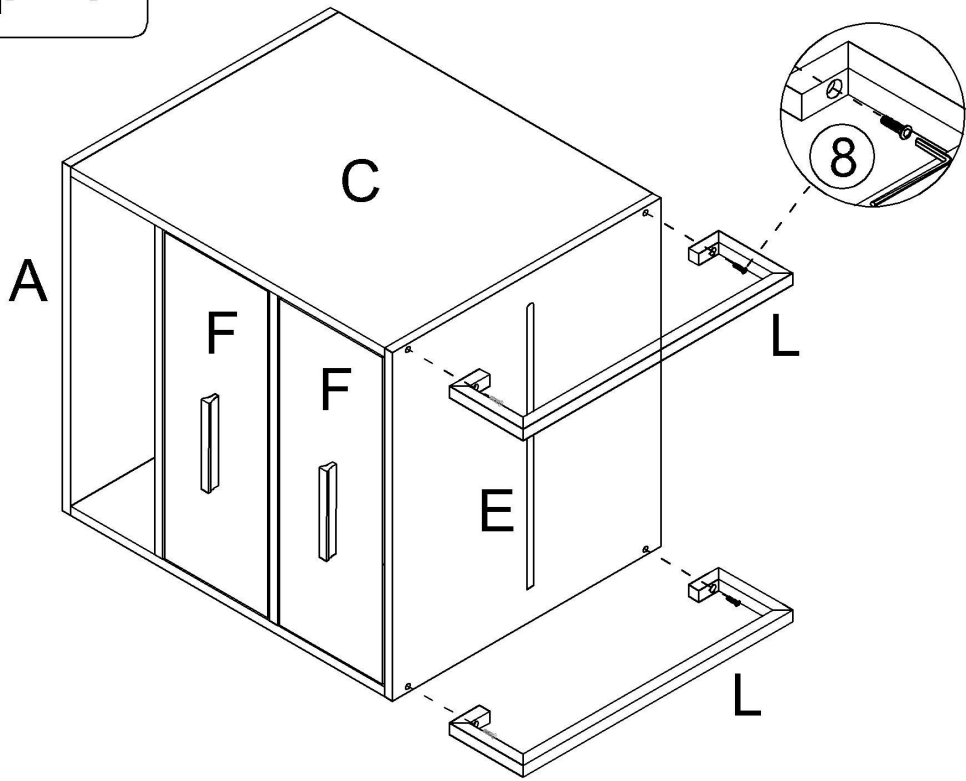
x 2



Step 18

8

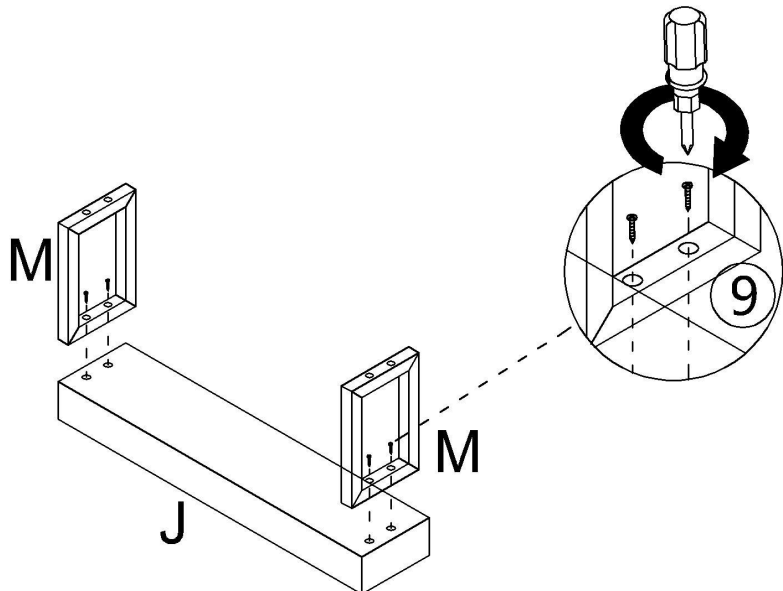
 x 4



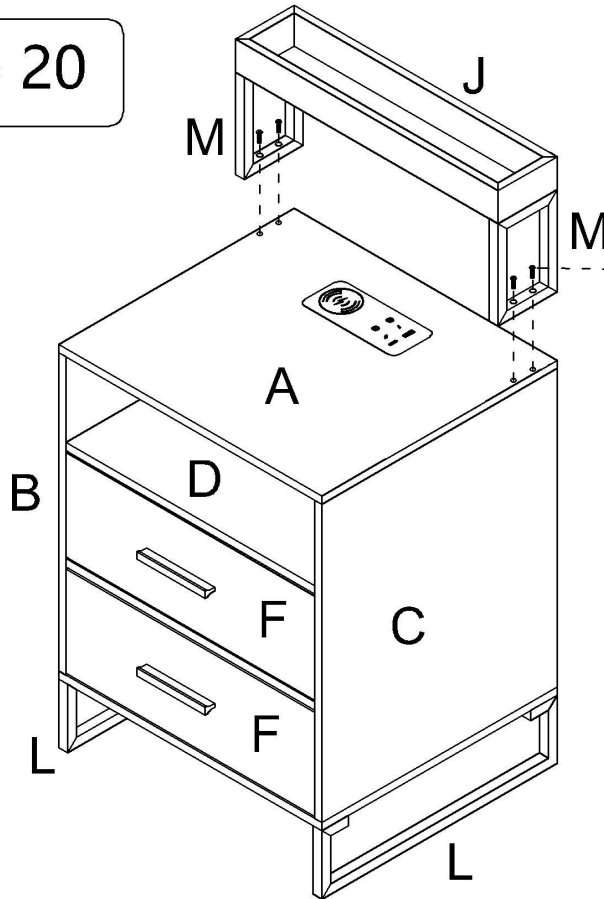
Step 19

9

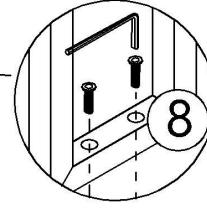
 x 4



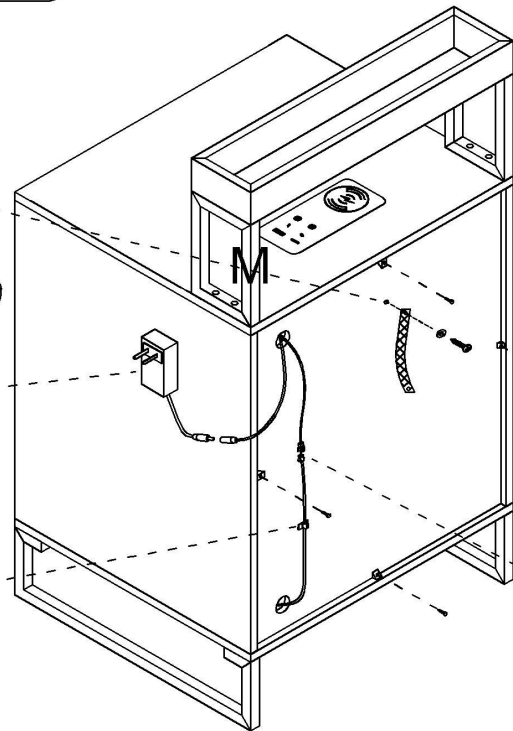
Step 20

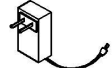


8  x 4




Step 21




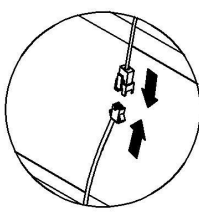
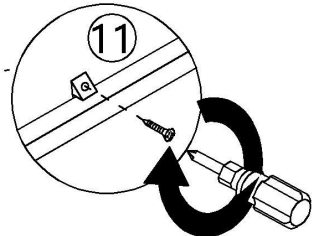
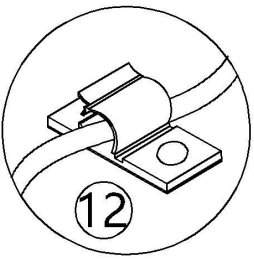
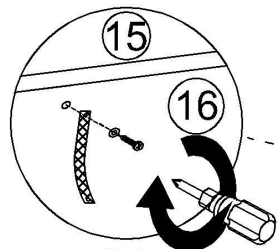
5  x 1

11  x 4

12  x 1



15  x 1

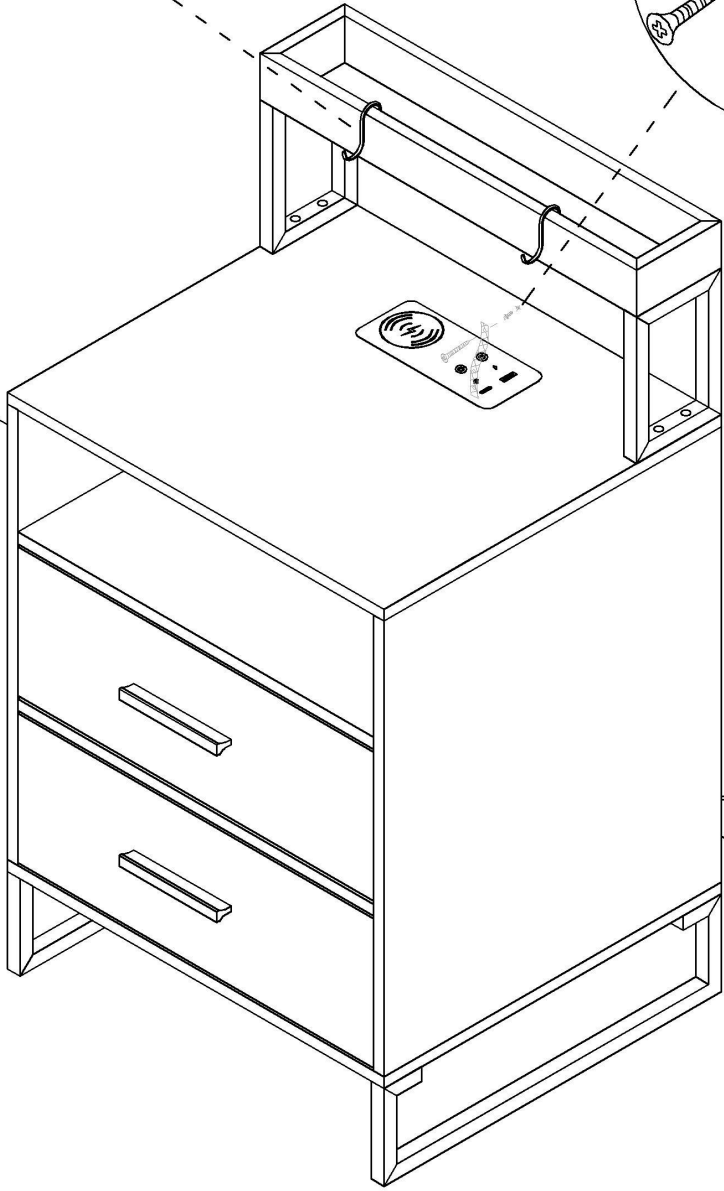
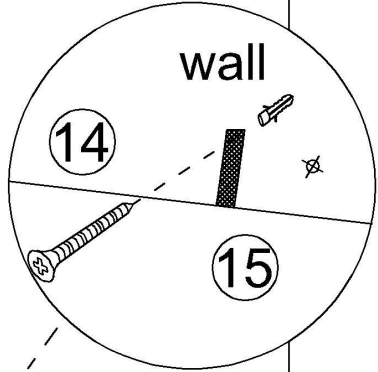
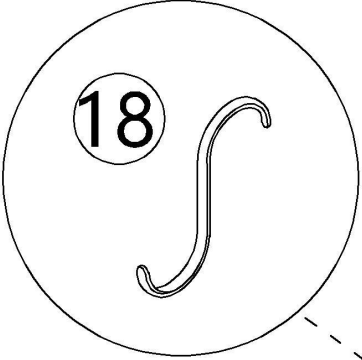
16  x 1



16

Step 22

14		x 1
18		x 2





User's Guide

Thank you for purchasing this product.

To use this product, please plug it into a 12V DC power supply.

Please use if the product works normally after connecting to power.

Introduction

The box is an intelligent controller. It has 1 USB port and 1 type-C port and can distribute the current output up to 5V DC-2A. With 2 touch buttons, it can turn ON/OFF the light, change light colors, and adjust the light luminance.

Operation



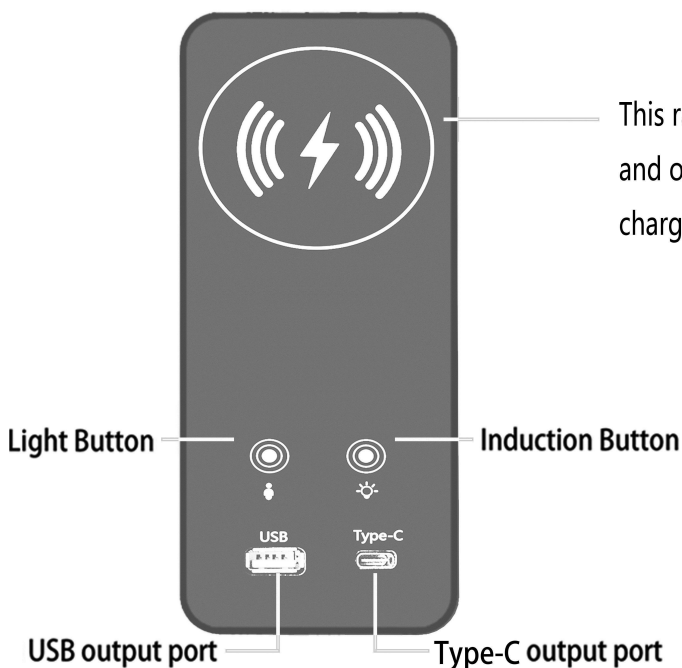
This touch button is used to turn on/off, change colors, and adjust brightness.

- A. Short touch -> lighting on -> short touch -> change light color -> short touch -> change light color -> short touch -> lighting off.
- B. Long touch -> adjust the luminance.



This touch button is used to turn on/off the induction function.

- A. Short touch to turn on the induction function. It can auto-turn on the light when people are close to the controller in 1 meters. It can auto power off the light when the body is far away from the controller after 30 seconds.
- B. Long touch to turn off the induction function.
- C. Note: When you touch the light button to change the light modes, the induction function will automatically turn off. It is best to turn on this function after selecting the light color and adjusting the brightness you want.



This range is a wireless charging area, and only mobile phones with wireless charging function can be charged.



ATTENTION PLEASE

1. If there is no touch response suddenly, Re-plug the power to reset the touch static electricity.
2. If bubbles appear on the panel, remove the protective film.
3. If you have any questions when installing, please feel free to contact us. Thank you.