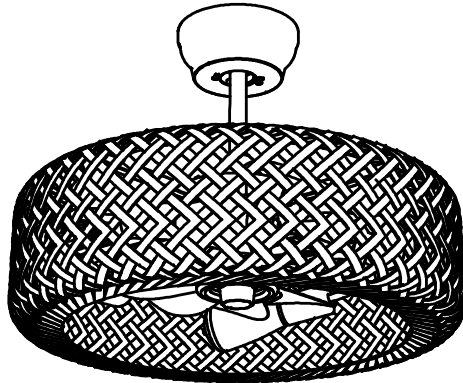


# Manual Book

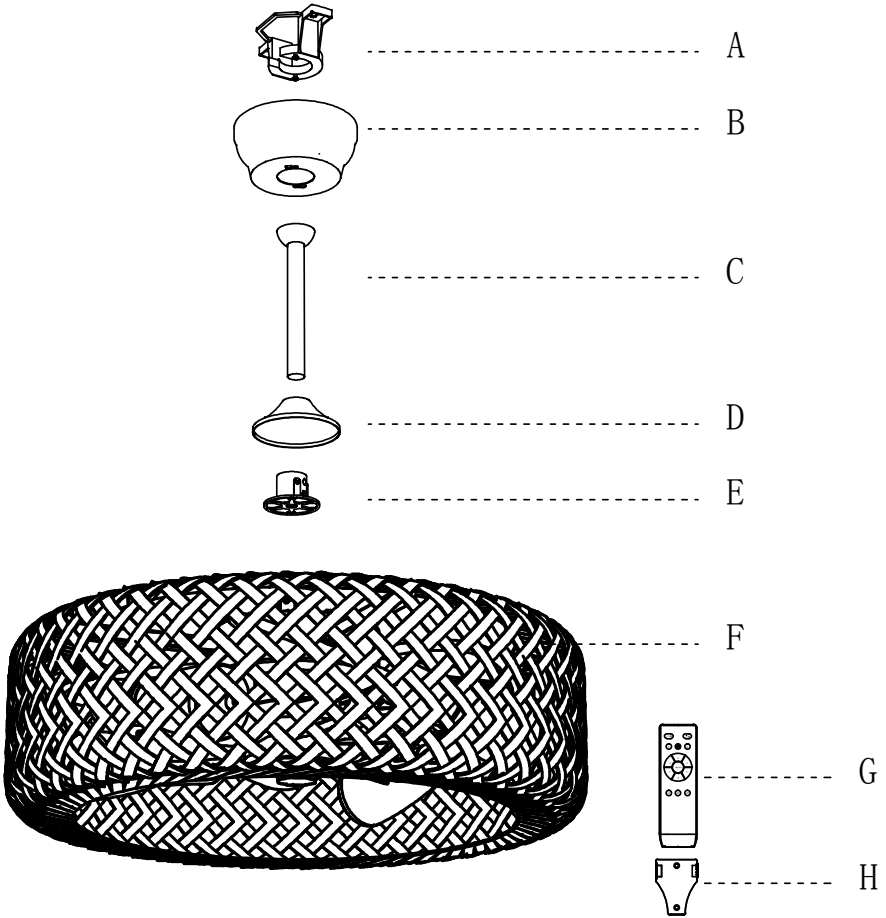
## Ceiling Fan with Lights

Model No.: FS8807-01



Installation Video Applicable

# Packing List

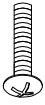


Part	Description	Quantity
A	Mounting Bracket	1
B	Canopy	1
C	Downrod	2
D	Coupling Cover	1
E	Yoke	1

Part	Description	Quantity
F	Fan Assembly	1
G	Remote Control	1
H	Remote Holder	1

**Note:** Some parts may be assembled together in the package.

# Installation kit



**AA**



**BB**



**CC**



**DD**



**EE**



**FF**



**GG**



**HH**



**II**

Part	Description	Quantity
AA	Outlet Box Screw	2
BB	Flat Washer	2
CC	Clevis Pin	1
DD	"R" Pin	1
EE	Wire Nut	3
FF	Remote Holder Anchor	2
GG	Wood Screw	2
HH	Yoke Screw	6
II	Pair of Gloves	1

## Note:

1. The listed quantity is for installation, extra hardware may be included.
2. Parts "CC, DD" have been pre-installed on Downrod (C).

# Safety Rules

---

1. Be sure the power to the wires you are working on is disconnected, either the fuse is removed or the circuit breaker is turned off. Turning the power off using the light switch is not sufficient to prevent electrical shock.
2. A qualified licensed electrician is required for the installation.
3. The outlet box and support structure must be securely mounted and capable of reliably /supporting a minimum of 70 pounds. Use only UL (cUL for Canadian Installation) listed mounting boxes marked "FOR FAN SUPPORT".
4. The fan must be mounted with a minimum of 7 feet clearance from the trailing edge of the blades to the floor.
5. Do not operate reversing switch while fan blades are in motion (if applicable). Fan must be turned off and blades stopped before reversing blade direction.
6. Do not place any objects in the path of the blades.
7. To avoid personal injury or damage to the fan and other items, be cautious when working around or cleaning the fan.
8. Do not use water or detergents when cleaning the fan or fan blades. A dry dust cloth or lightly dampened soft cloth will be suitable for the cleaning.
9. After marking electrical connections, spliced conductors should be turned upward and pushed carefully up into outlet box. The wires should be spread apart with the grounded conductor on one side of the outlet box.
10. Electrical diagrams are reference only, different fan light may have different light shade and bulbs.
11. Use only our replacement parts. This equipment has been tested and found to comply with the limits for a class B digital device, pursuant to part 15 of the FCC Rules. These limits are to provide reasonable protection against harmful interference in a residential installation. This equipment generates, uses and can radiate radio frequency energy and if not installed and used in accordance with the instructions may cause harmful interference to radio communications.

## **Warning:**

To reduce the risk of personal injury, use only the two steel screws and washers provided with the outlet box for mounting to the outlet box. Most outlet boxes commonly used for the support of lighting fixtures are not acceptable for fan support and need to be replaced, consult a qualified electrician if in doubt.

To reduce the risk of fire, electric shock or person injury, mount fan to outlet box marked "acceptable for fan support".

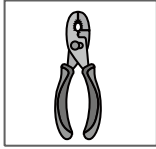
To reduce the risk of personal injury, do not bend the blade brackets (also referred to as flanges) during assembly or after installation. Do not insert objects in the path of the blades.

# Installation Preparation

## Tools You Need



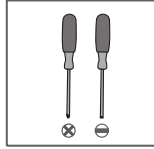
Ladder



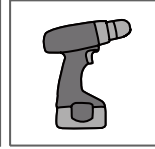
Pliers



Wire Strippers



Screwdrivers



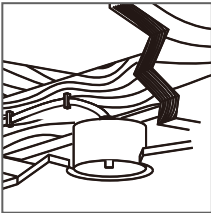
Power Drill (optional)



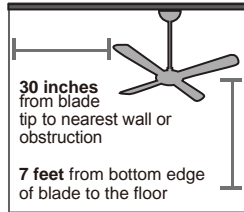
Drill Bit (optional)

If mounting to a support structure, you will also need the optional tools.

## What to Expect with Your Installation



Must be able to secure the fan to building structure or fan-rated outlet box



Assess location

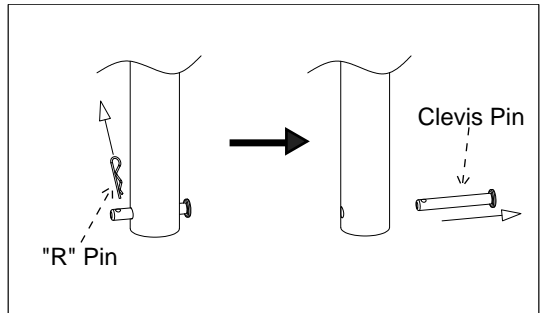
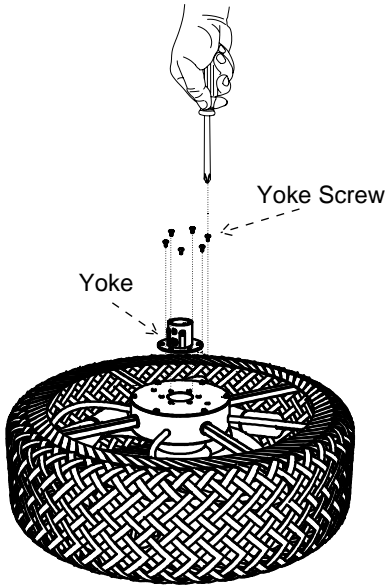


Check box to see fan weight



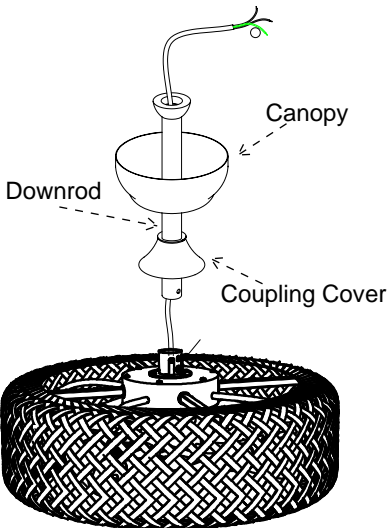
Angled Ceiling not supported

# Installation Step 1 (Assemble the Downrod)



Step 1: The yoke (E) is secured to the fan assembly using yoke screws (HH).

Step 2: Remove the clevis pin (CC) and "R" pin (DD) from the downrod (C).

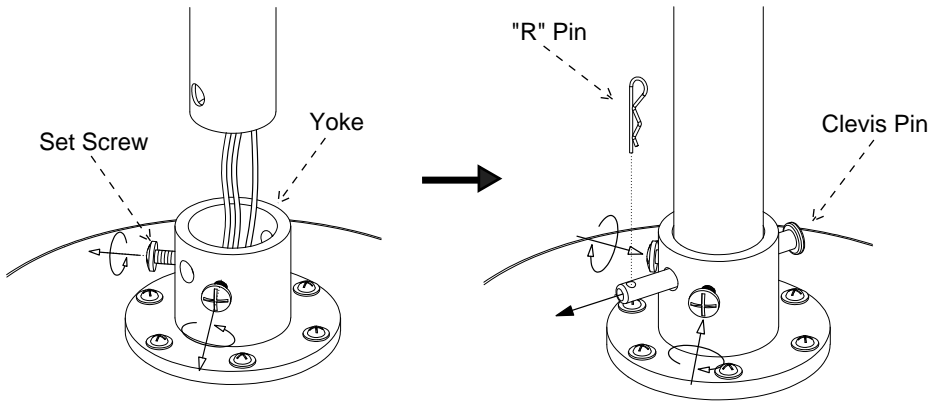


Step 3: Pass the downrod (C) through the canopy (B), and coupling cover (D).

Step 4: Thread the power cord through downrod (C).

## Installation Step 1 (Assemble the Downrod)

---



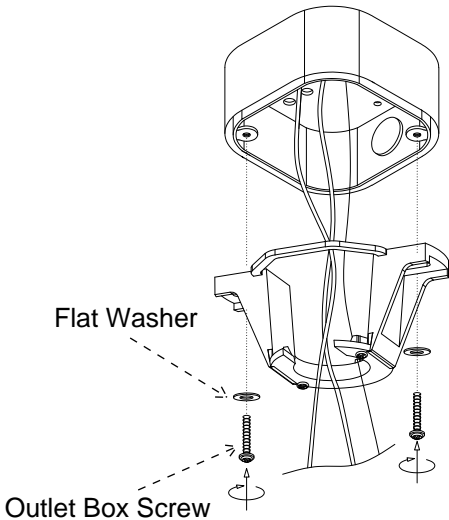
Step 5: Loosen the set screws on yoke (E) (do not remove), insert downrod (C) into yoke (E), and align the holes of downrod (C) with those of yoke (E).

Step 6: Pass clevis pin (CC) through the holes of downrod (C) and yoke (E), insert "R" pin (DD) into the hole of clevis pin (CC), and tighten set screws.

Step 7: Fit coupling cover (E) onto fan assembly (F).

## Installation Step 2 (Install the Mounting Bracket)

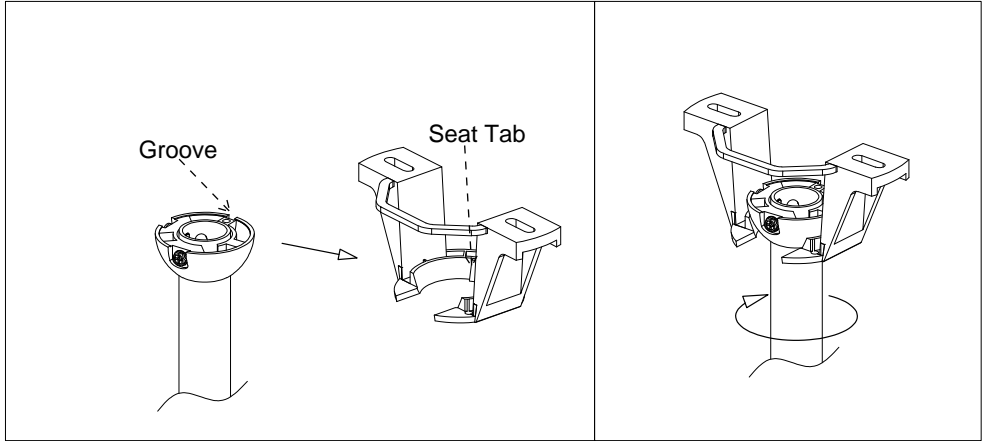
---



Step 1: Pass the power wires through the center hole in the mounting bracket (A).

Step 2: Fix the mounting bracket (A) to the ceiling outlet box using outlet box screws (AA) and flat washers (BB).

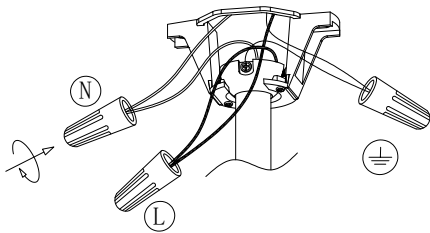
## Installation Step 3 (Hang the Fan)



Step 1: Hang the downrod (C) of the installed fan onto the mounting bracket (A).

Step 2: Rotate the downrod (C) until the tab in the mounting bracket (A) is seated in the fixation slot in the downrod ball.

## Installation Step 4 (Connect the Wires)



Step 1: Connect the wires from the fan to the house supply wires with wire nuts (EE), ground wire (green, green/yellow, or bare copper) to ground wire, neutral wire (white) to neutral wire, and hot wire (black) to hot wire. Wrap the connection with electrical tape.

Step 2: Spread apart the wires so that the hot wires are on one side of the outlet box and the neutral wires are on the other side.

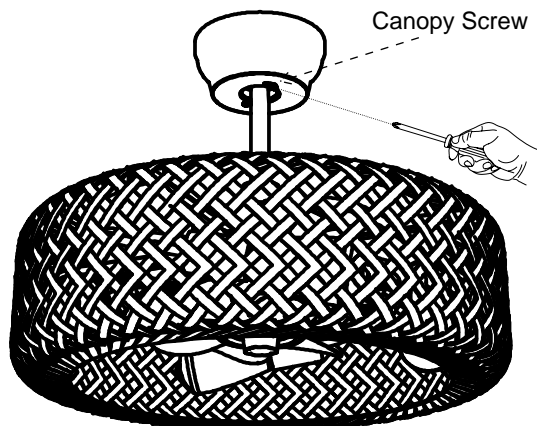
### Note:

This fan only needs one set of input wires (black, white, and ground wire). Both of the fan and lights will be controlled by the remote controller.

This fan can only be connected to an on/off switch if you have one, not a dimmer switch.

## Installation Step 5 (Attach the Canopy)

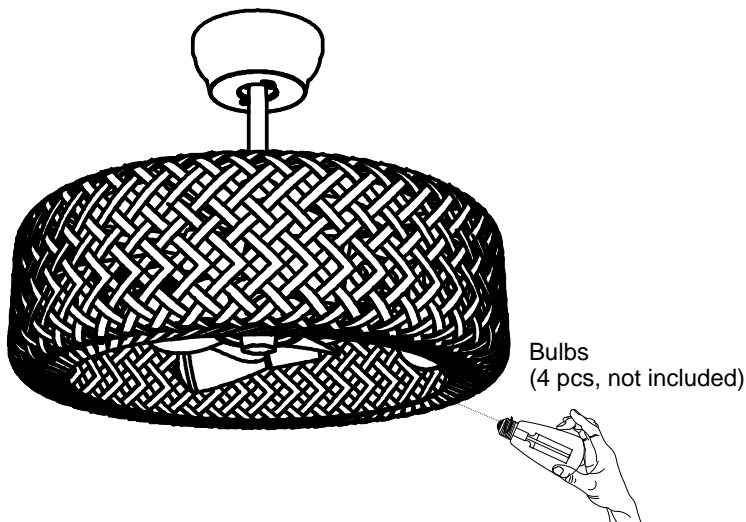
---



The canopy (B) is secured to the mounting bracket (A) using canopy screws.

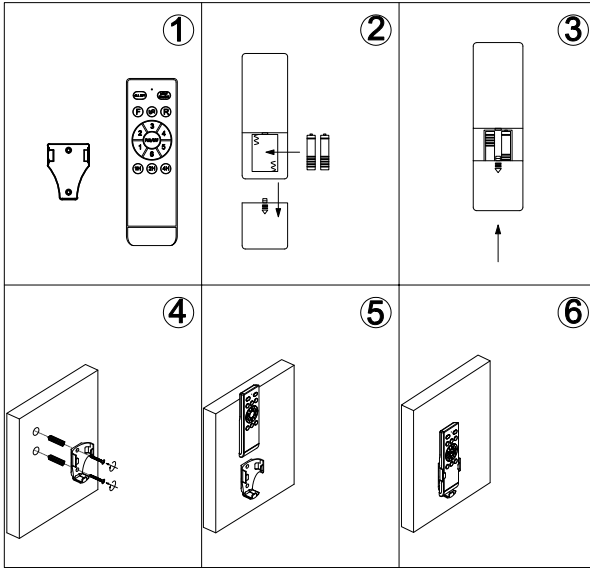
## Installation Step 6 (Install the Glass Shades And Lights)

---



Install light bulbs (Use only E26 bulbs, max 60W each).

## Installation Step 7 (Install the Remote Holder)

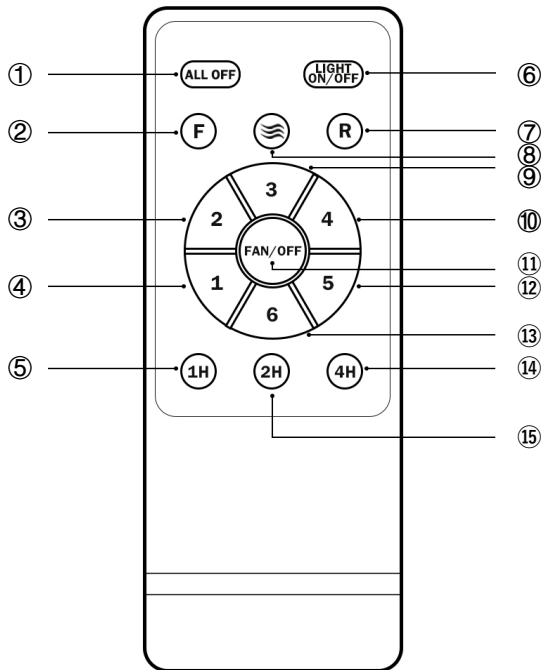


1. Insert 2 batteries before using: AAA 1.5V battery x 2pcs (not included).

2. Mark and drill screw holes in the wall, then insert the remote holder anchors (FF).

3. Use wood screws (GG) to fix the remote holder (H) onto the wall.

# Remote Control Instructions



## NOTE:

**Please insert 2 batteries before using.  
AAA 1.5V battery x 2pcs (not included)**

- ①: Turn off the fan and lights.
- ②⑦: "F" refers forward fan direction."R" refers reverse the fan.
- ③④⑨⑩⑫⑬: 1/2/3/4/5/6 for fan speeds.
- ⑤⑭⑮: 1H/2H/4H for timing the fan.
- ⑥: Turn on/off the lights.
- ⑧: Natural wind of the fan, fan speed will change automatically when use this function.
- ⑪: Turn off the fan.

**REMOTE SIGNAL PAIRING:** If the remote control loses signal of the fan, turn off the power from wall switch, then turn it on, press ⑪ immediately for around 3 seconds, after the fixture beeps or flashes, then it's done.

# Trouble Shooting

---

## 1. Fan does not work

- Make sure the fixture is connected to an ON/OFF wall switch, not a dimmer switch.
- Check the remote control battery (not included in this package).
- Check the circuit breaker to ensure the power is on.
- Turn off power from the circuit breaker, then loosen the canopy and check all the connections according to the wiring diagram.

## 2. Lights do not light up / flicker / noisy operation

- Make sure the fixture is connected to an ON/OFF wall switch, not a dimmer switch.
- Check your power and switch to make sure it's powered on.

## 3. Noisy operation

- Re-tighten all screws on the bracket.
- Check to see if any of the blades are cracked. If so, replace the blades.

## 4. Remote does not work

- Make sure the battery is installed correctly.
- Pair the remote control again (See page 10).
- Install two new batteries.

# Clean And Care

---

To clean, wipe the fixture with soft cloth. Spray from chemical cleaners can discolor the finish of the fixture. Do not use scouring pads, powders, steel wool or abrasive paper to clean this fixture.

# Ordering Parts

---

Keep this manual for future reference, and in case replacement parts are needed. Available parts can be ordered from place of purchase. Use exact wording from diagrams when ordering parts.

# Contact Information

---

Please contact us with following information:

1. A screenshot of your order page, including the product picture, name, and order ID number.
2. Details of the problem, including pictures or a short video if possible.

 **Email: [lightingcustomercare@gmail.com](mailto:lightingcustomercare@gmail.com)**