

AFTERSALE SERVICE

Dear customer,

Thank you so much for purchasing the product from us, we really appreciate your support.

We are aimed to provide the best shopping experience to our customers. We also want to build a mutually beneficial relationship with our customers, and step further to make our brand both reliable, responsible and recommend-able.

We hope that our products could meet your needs and expectations, please consider us again if you need more products for your home and kitchen.

The package would be out of our control during shipping, please contact us through your purchasing channel directly if there is anything wrong with the box or contents. We are always here offering you our service.

We will reply your messages within 24 hours, please kindly wait for the response from our team.

Your comfort and contentment are of utmost importance.

Best Regards,

Customer Care Specialist

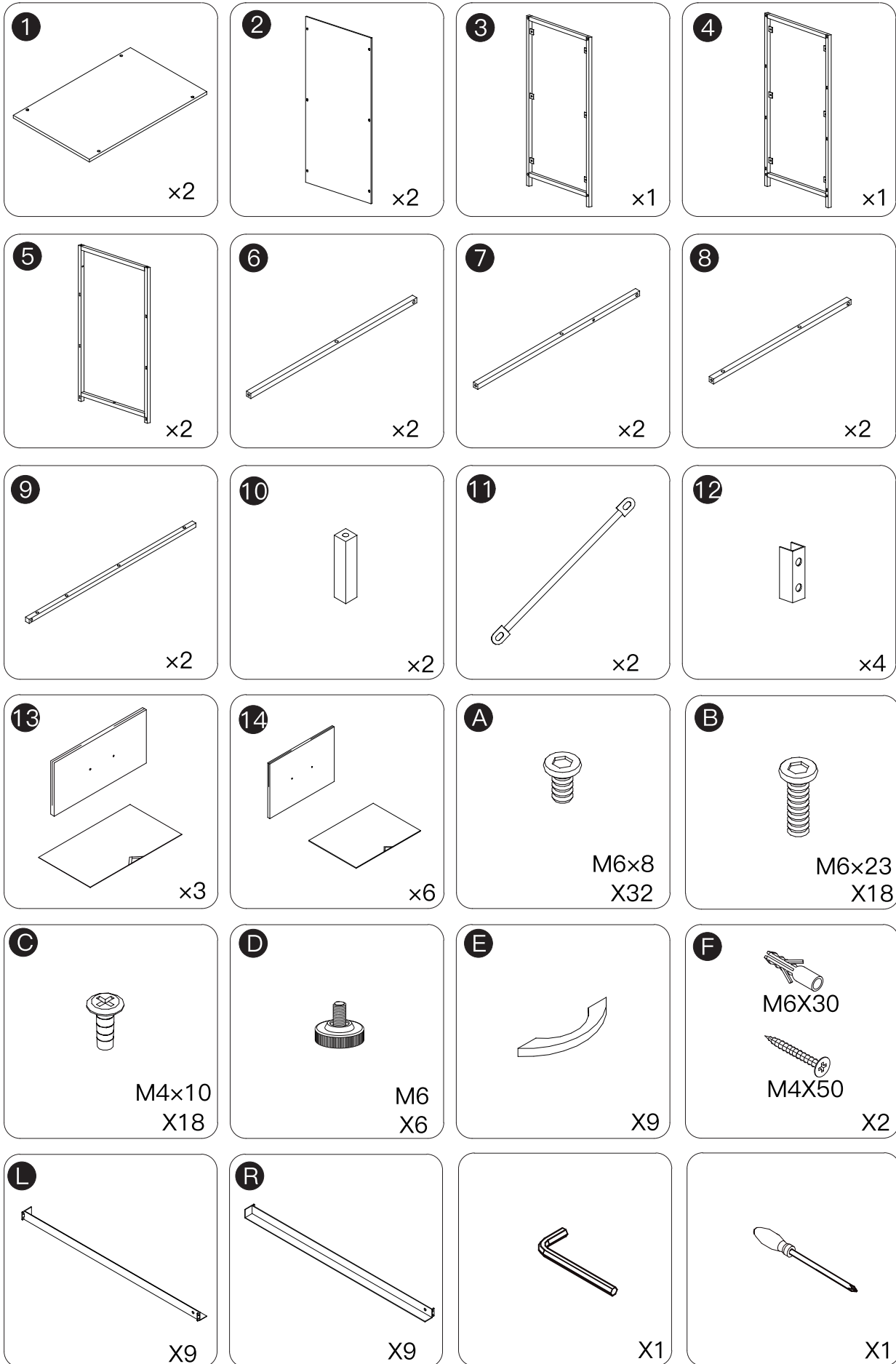
ASSEMBLY INSTRUCTION



Please check all parts and accessories according to the parts list before assembling, make sure all contents are sufficient and in good condition.

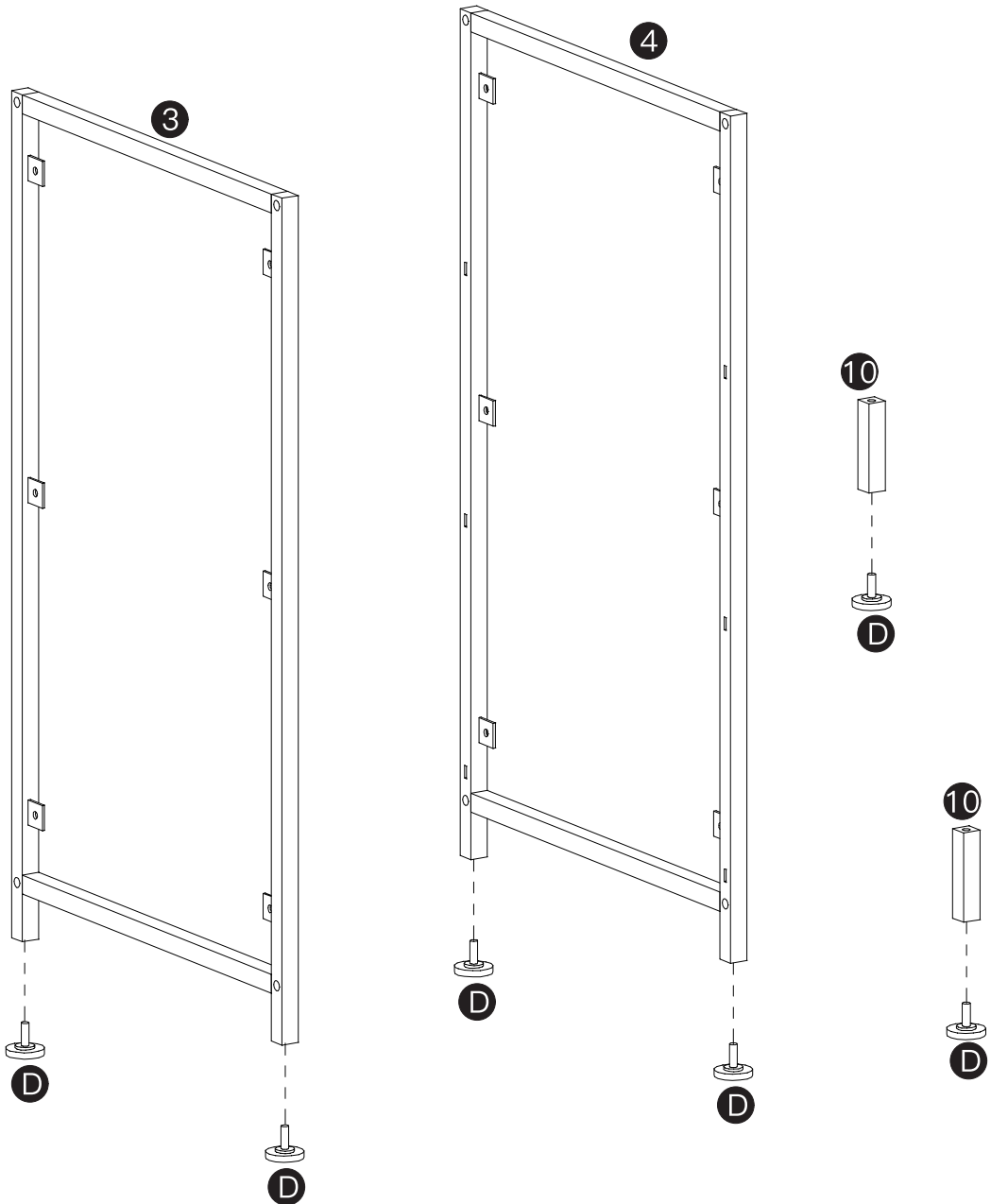
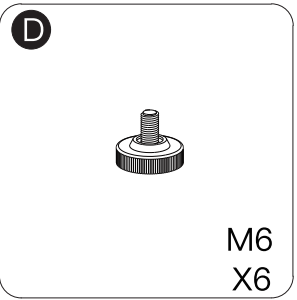
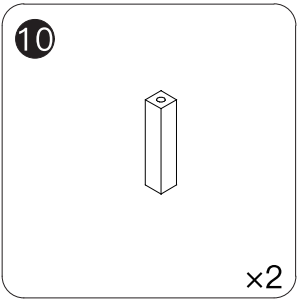
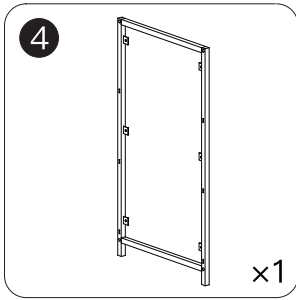
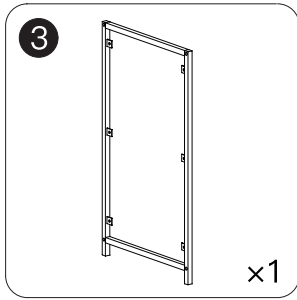
If there is any parts missing or defective, please contact us immediately with purchase platform message to get replacement parts.

PARTS:



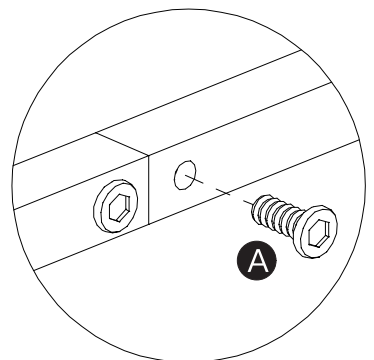
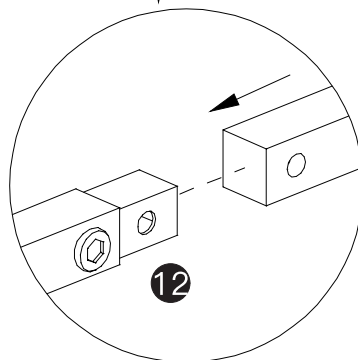
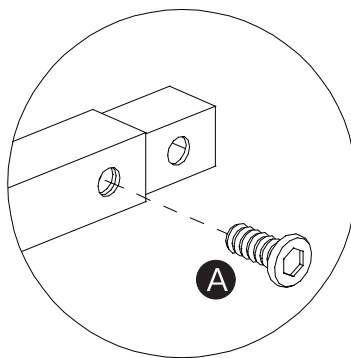
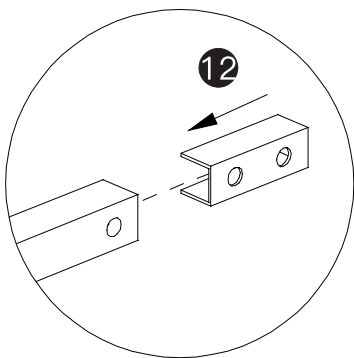
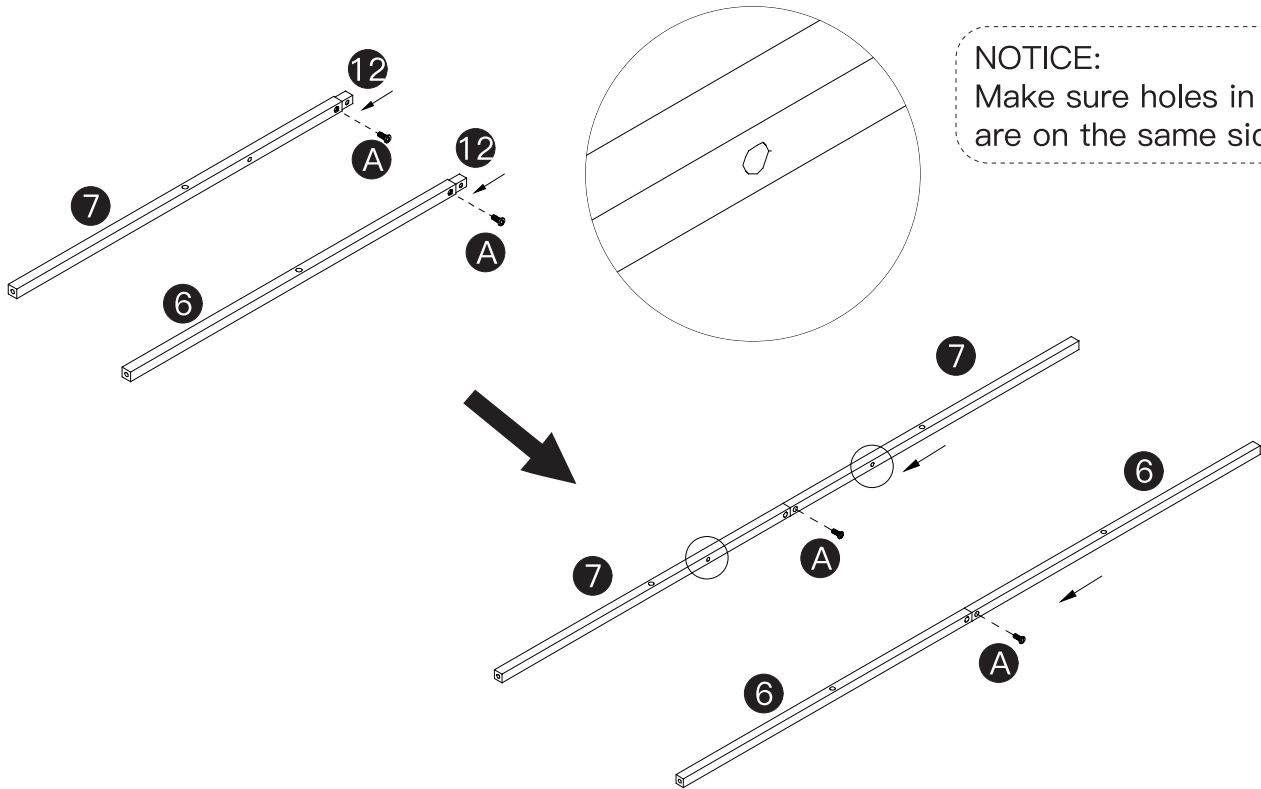
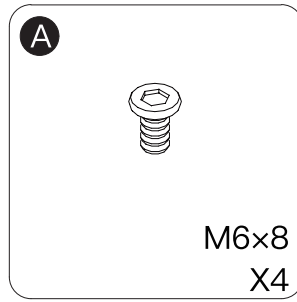
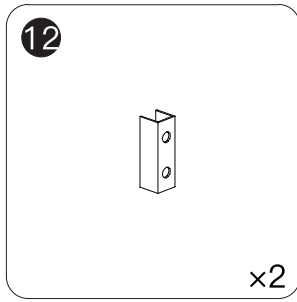
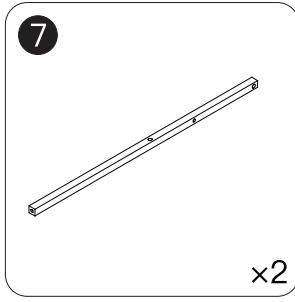
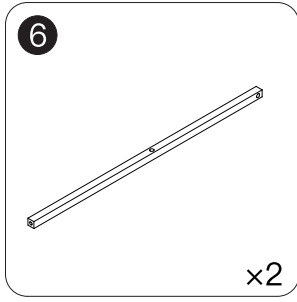
HOW TO INSTALL

Step 1 Install part **D** on part **3** & **4** & **10**.



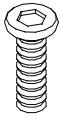
Step 2

Install part 12 on part 6 & 7 and use part A to screw them. Connect part 6 & 6
7 & 7 with part 12, use part A to screw them.



Step 3 Connect part ③ & ④ with part ⑥ & ⑦, use part ② to screw them.

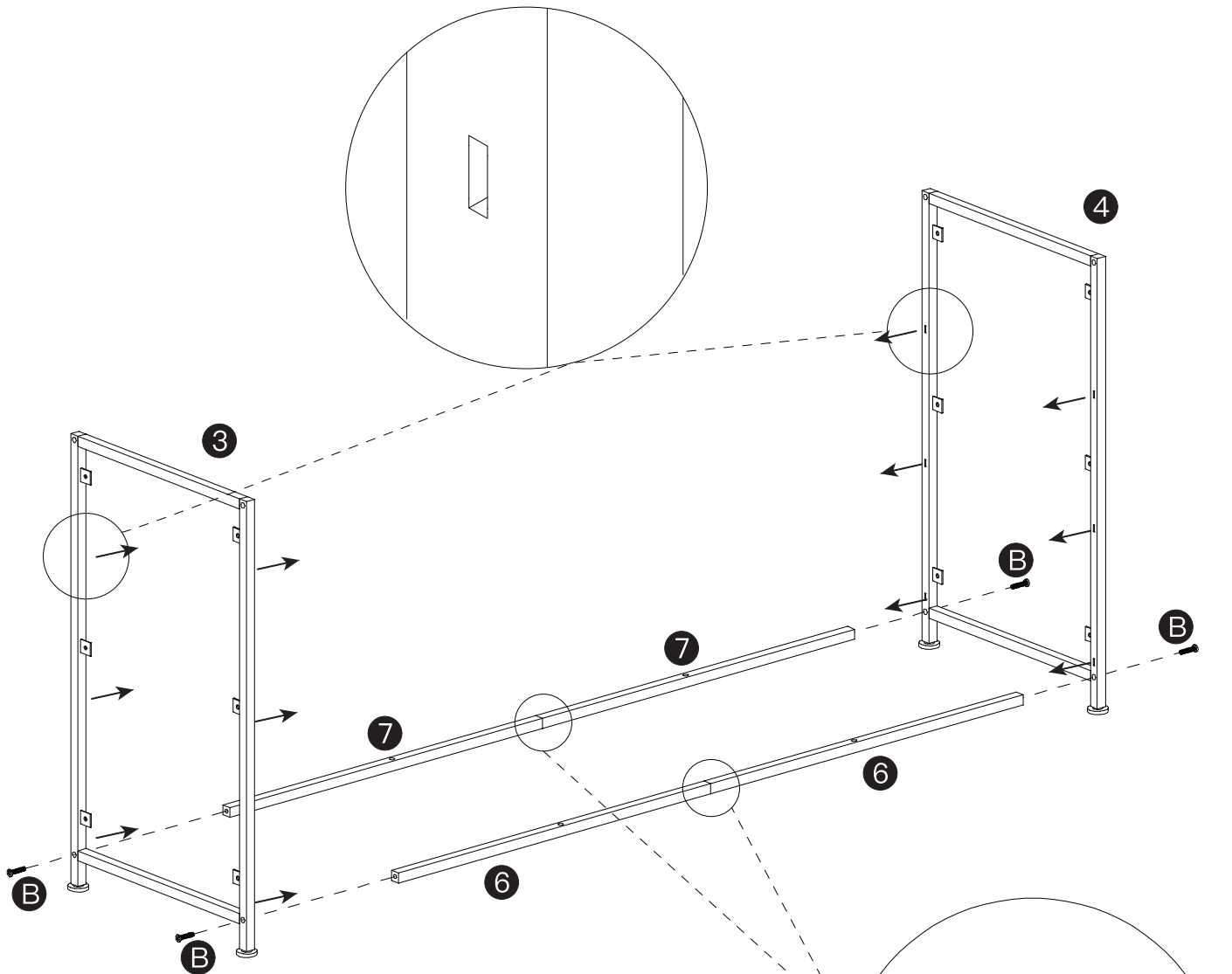
②



M6x23
X4

NOTICE:

Make sure square holes of part ③ & ④ are facing inwards.



BACK

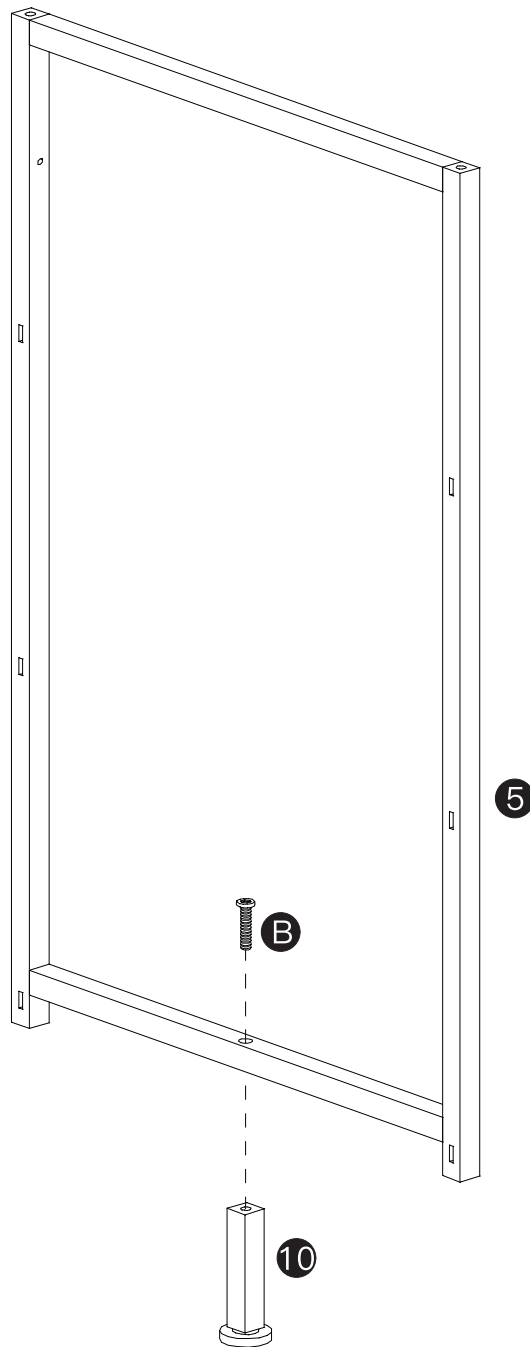
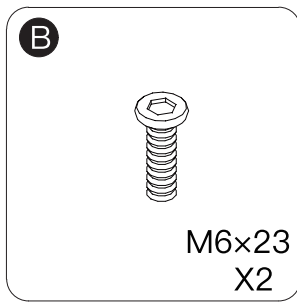
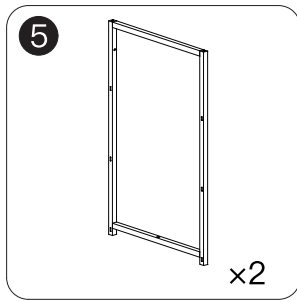


FRONT

NOTICE:

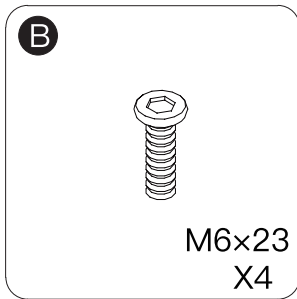
Make sure the specific side of part ⑥ & ⑦ faces backwards.

Step 4 Install part 10 on part 5 and use part B to screw them.



X2

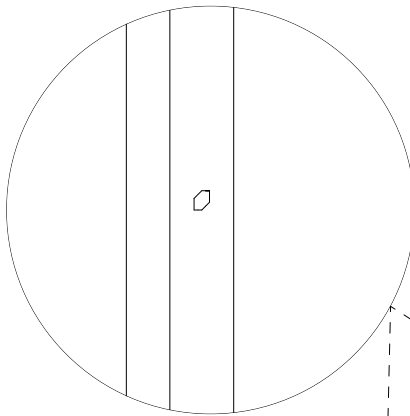
Step 5 Install part 5 on part 6 & 7 and use part B to screw them.



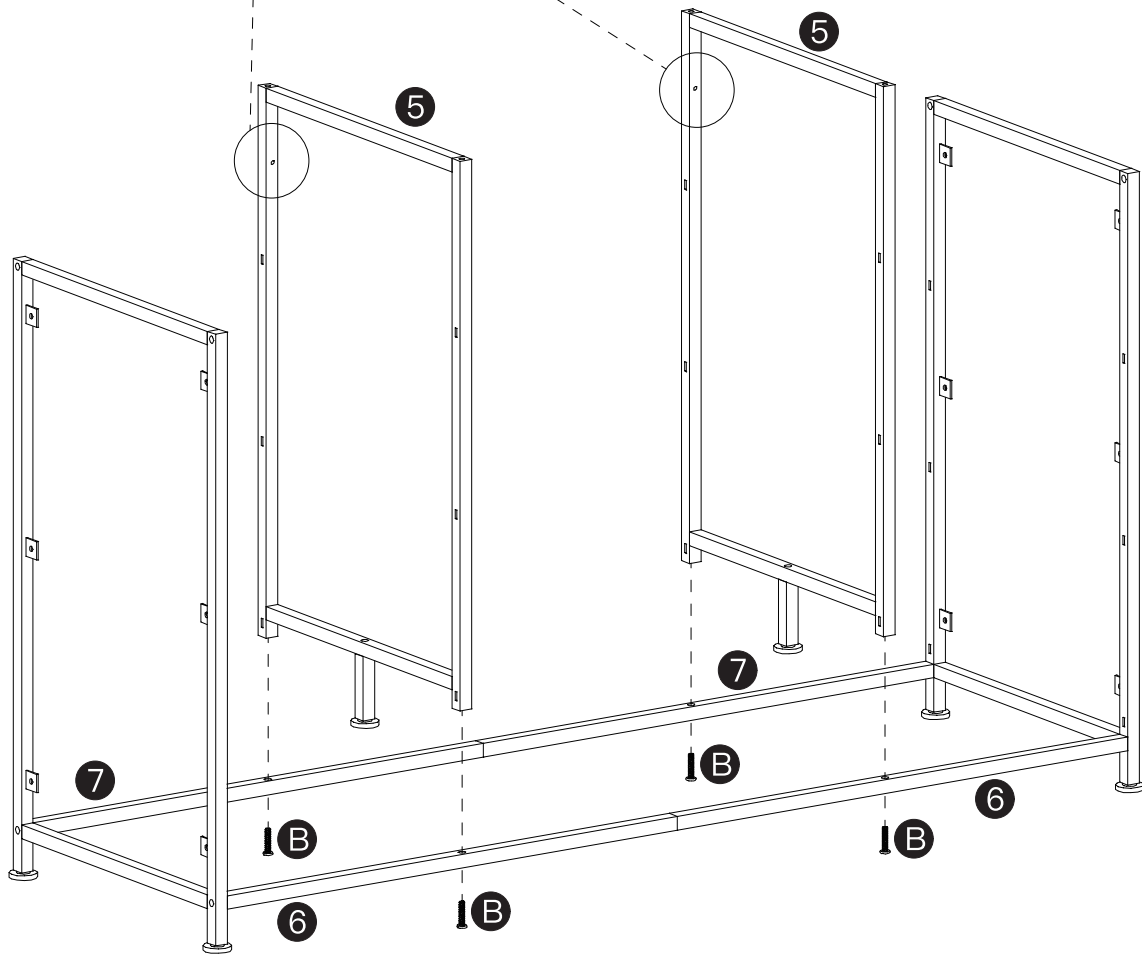
BACK



FRONT

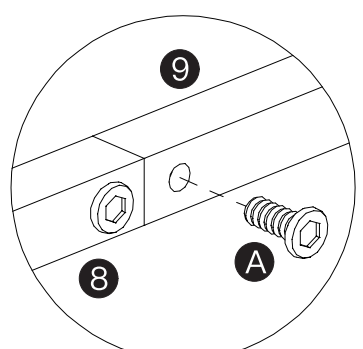
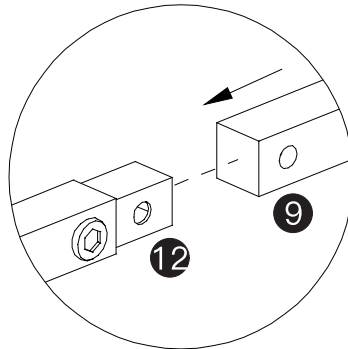
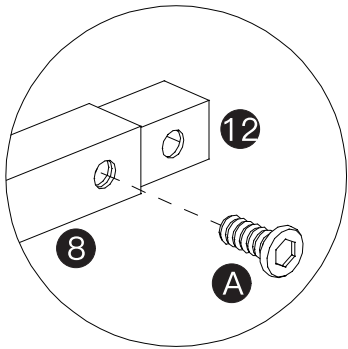
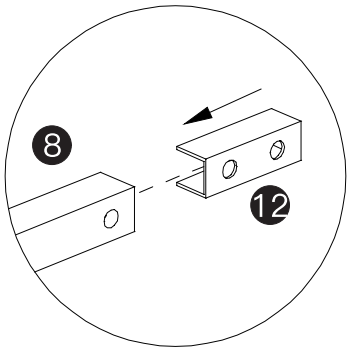
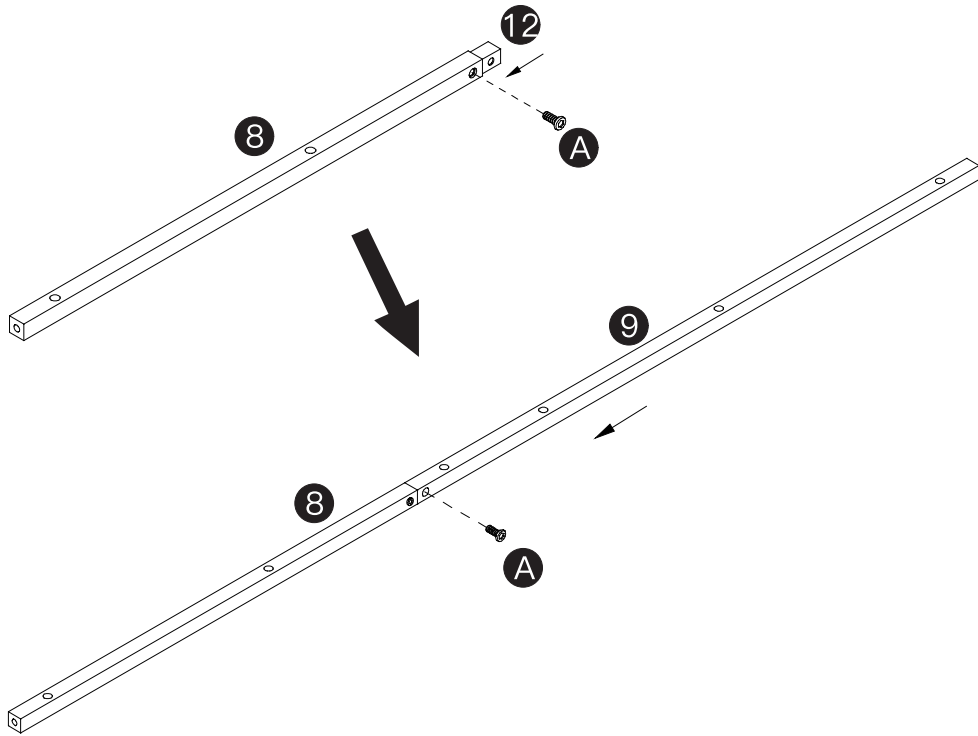
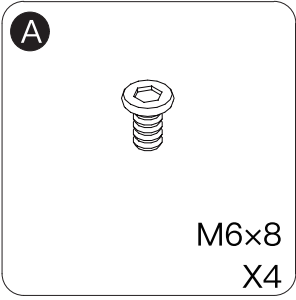
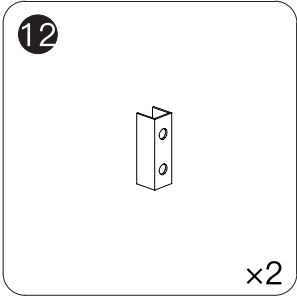
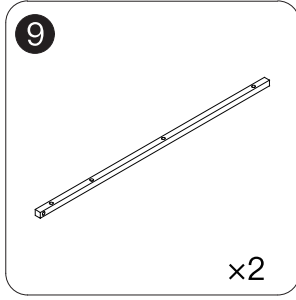
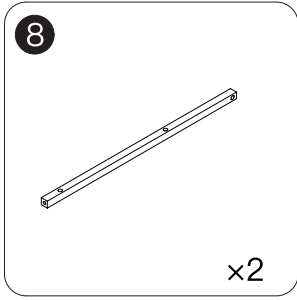


NOTICE:
Make sure hole in part 5 is back.

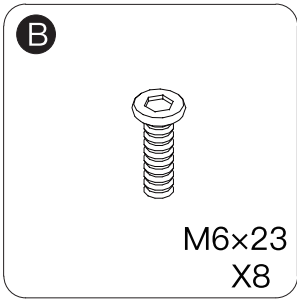


Step 6


Install part 12 on part 8 and use part A to screw them. Connect part 8 & 9 with part 12, use part A to screw them.



Step 7 Connect part ③ & ④ with part ⑧ & ⑨, use part ① to screw them.

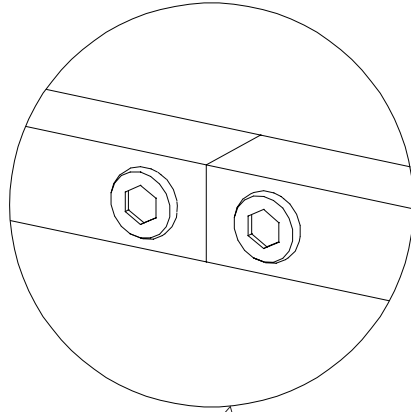


BACK

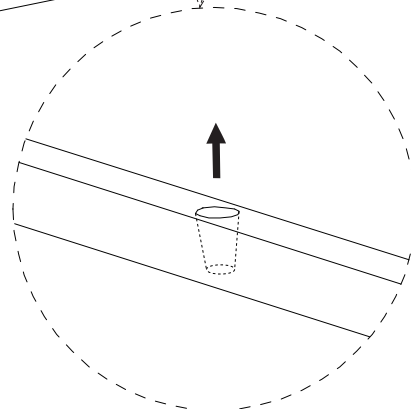
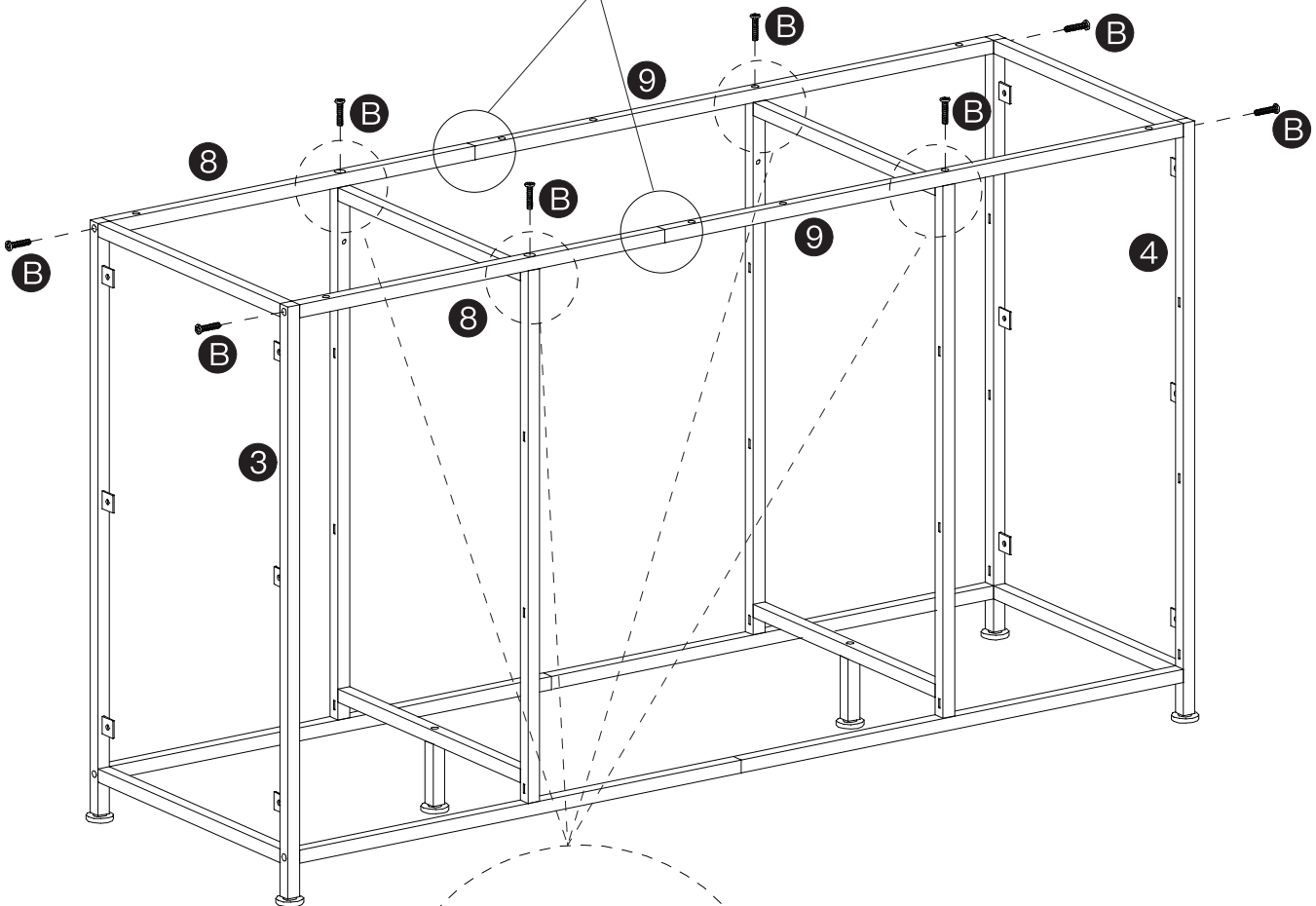


FRONT

An arrow pointing from the 'BACK' label towards the 'FRONT' label, indicating the orientation of the assembly.

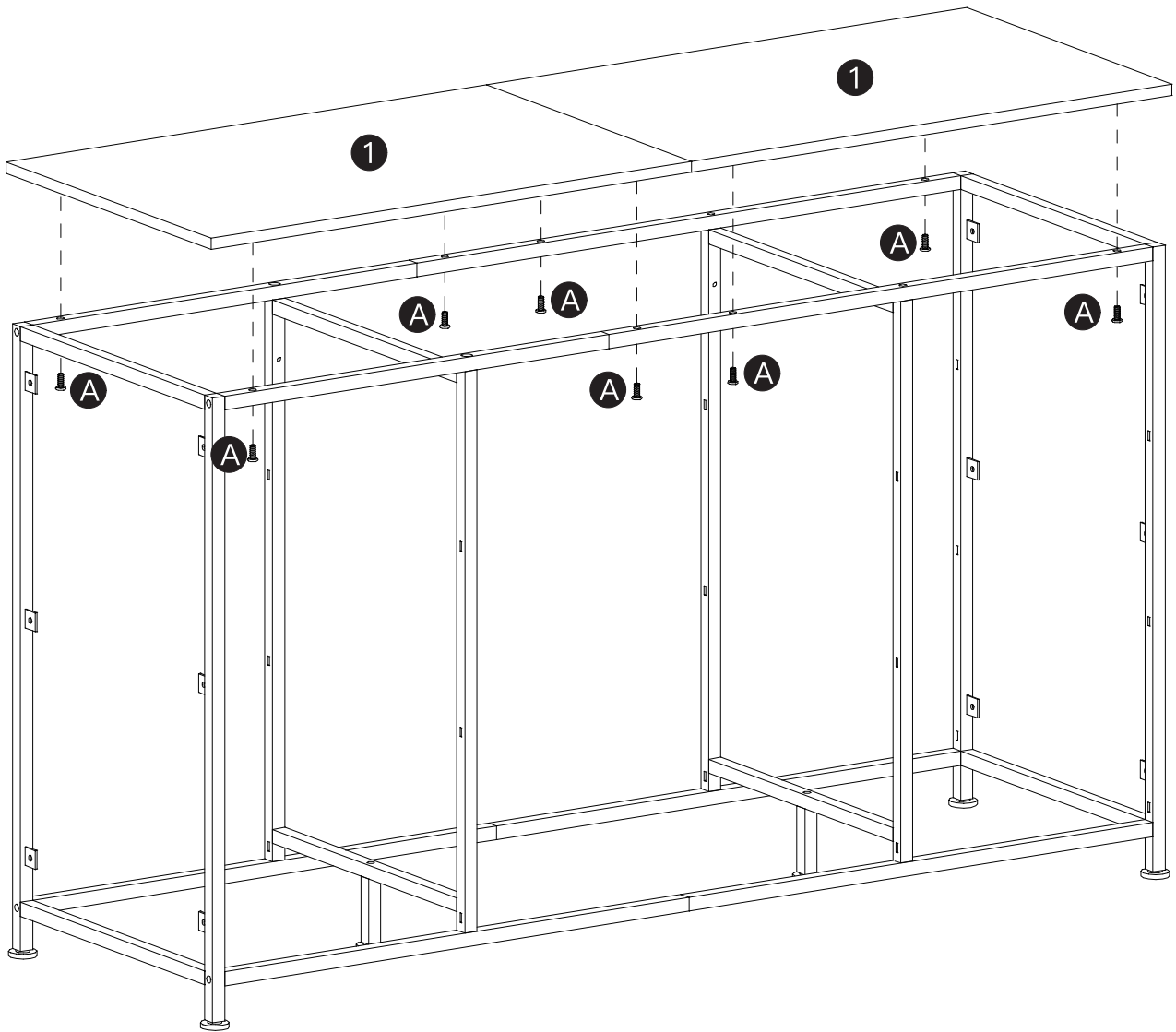
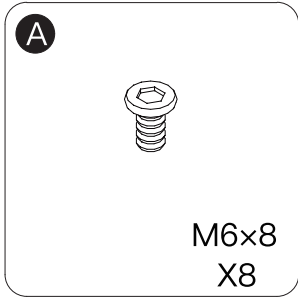
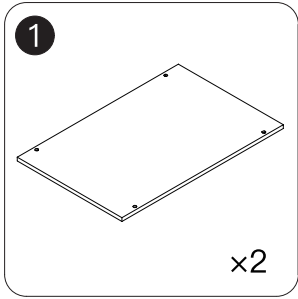


NOTICE:
Make sure the specific side of part ⑧ & ⑨ faces backwards.

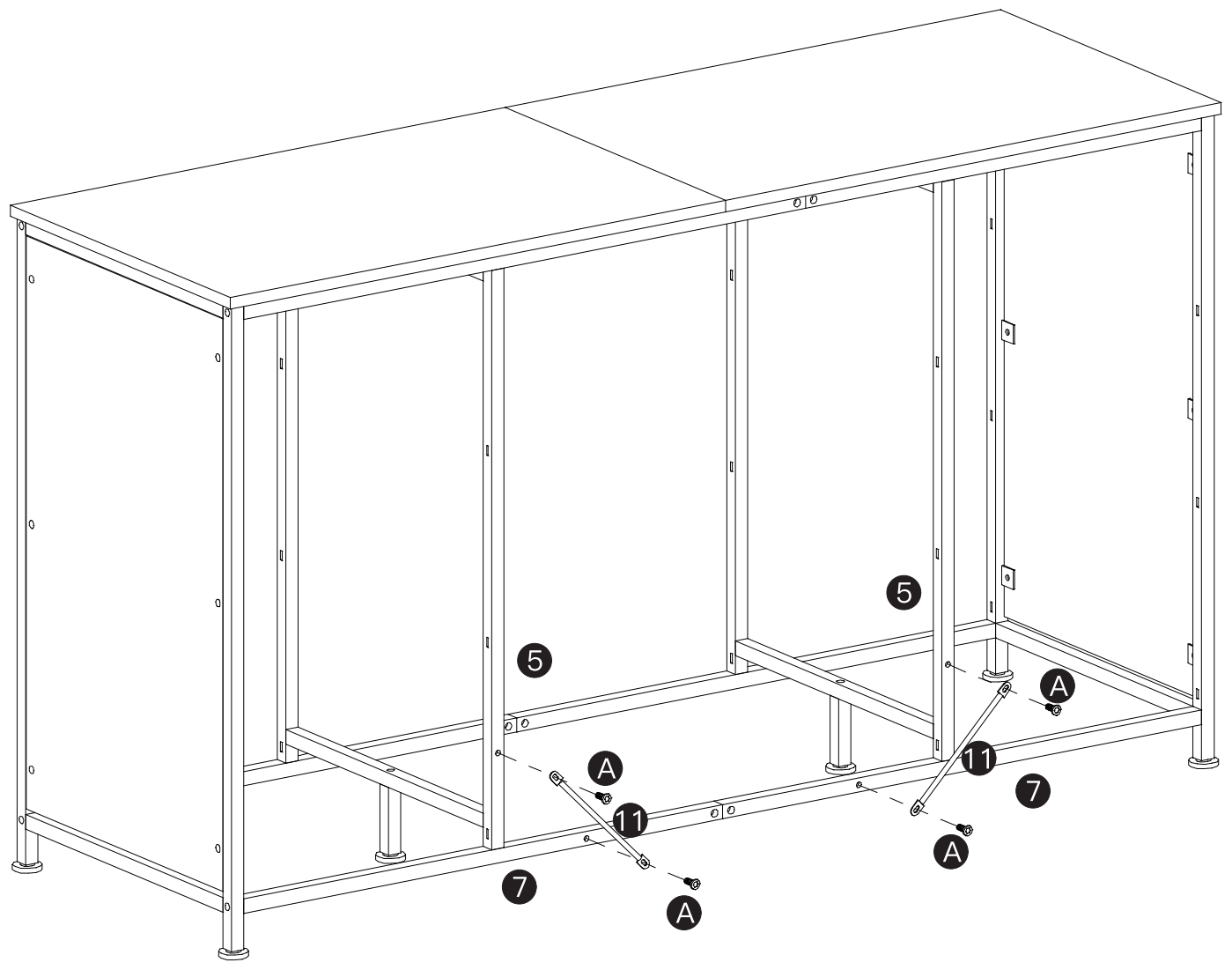
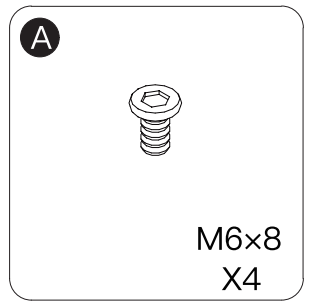
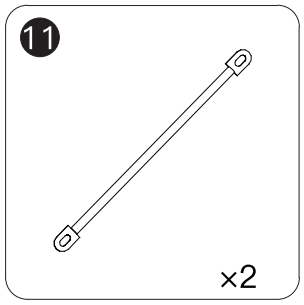


NOTICE:
Make sure the larger hole of part ⑧ & ⑨ is facing upwards, tighten the screws after inserting into larger holes.

Step 8 Install part **1** on the frame, use part **A** to screw them.

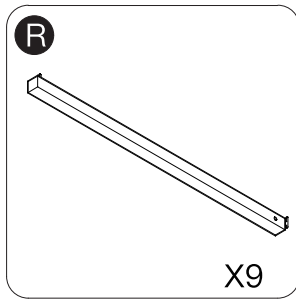
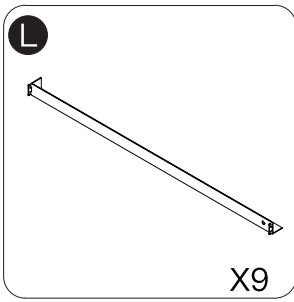


Step 10 Install part **11** on part **5** & **7** , use part **A** to screw them.

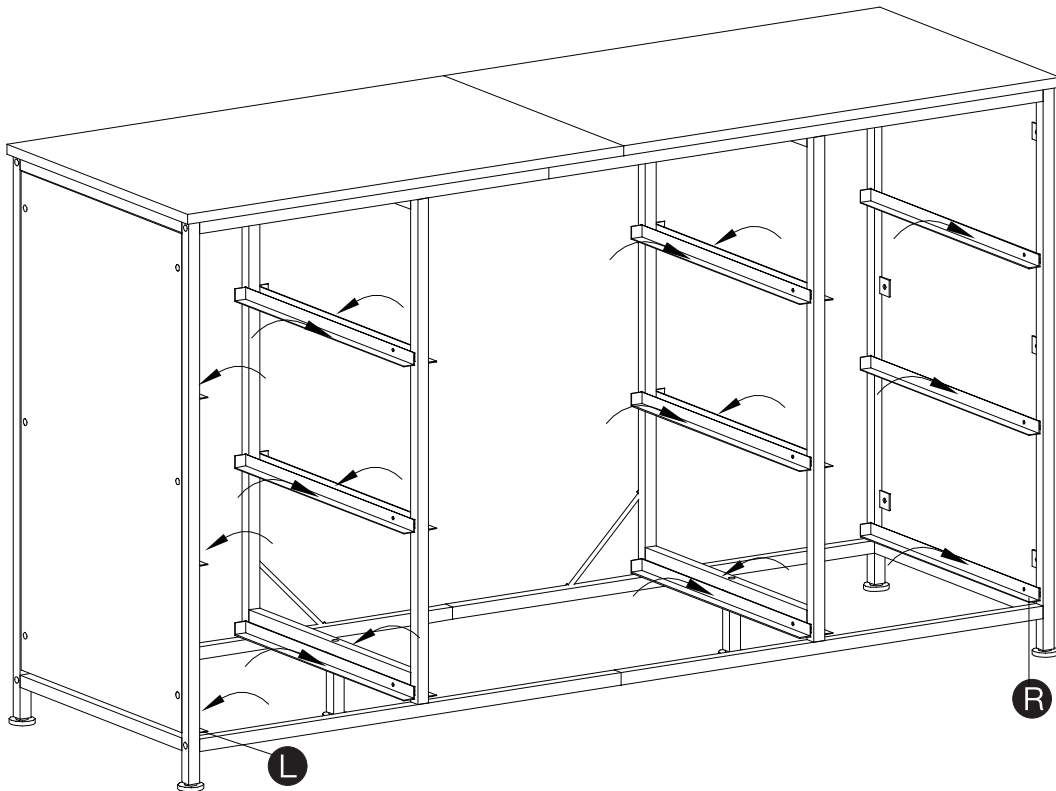
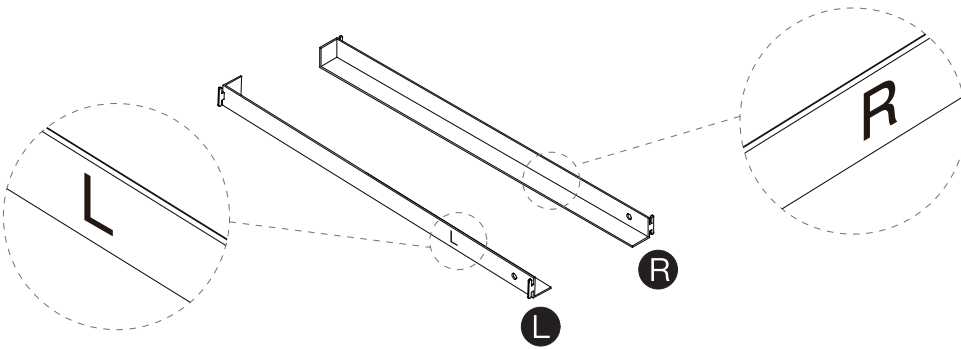


FRONT
BACK

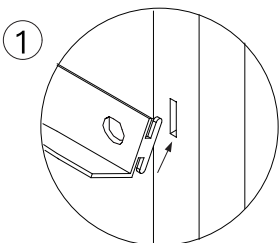
Step 11 Install part **L** & **R** on the frame.



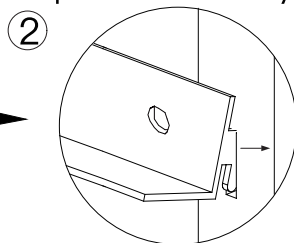
There's a corresponding **L** and **R** mark on each part located in a specified spot designed to distinguish them from each other easily.



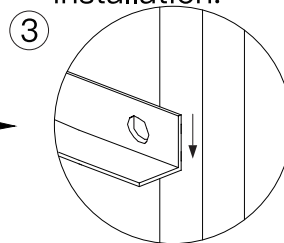
Insert the upper part into the square hole.



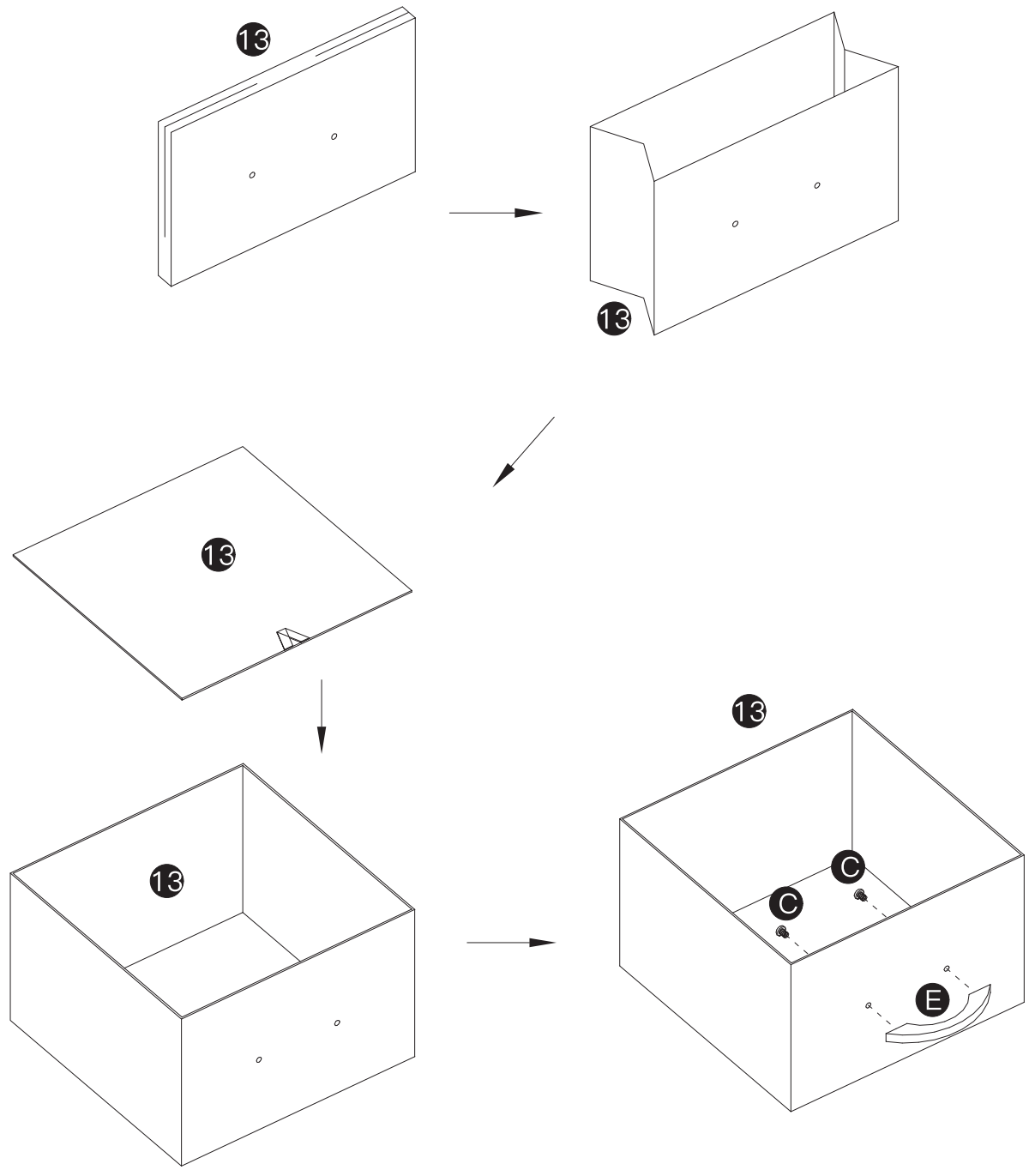
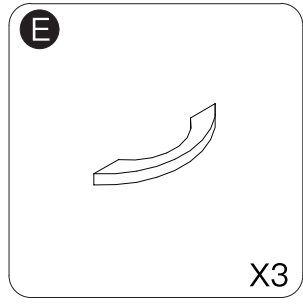
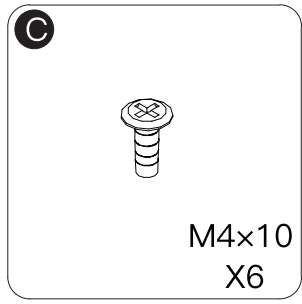
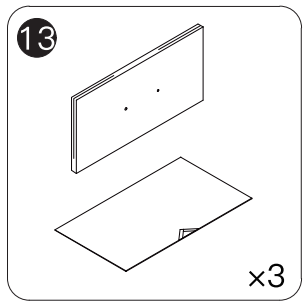
Then insert the rest part horizontally.



Press down the rail to ensure proper installation.

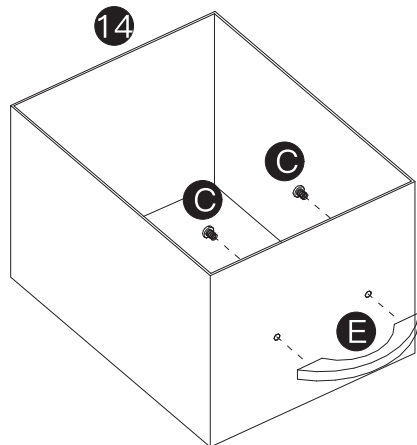
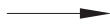
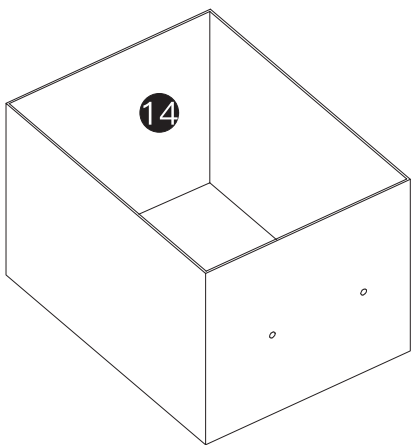
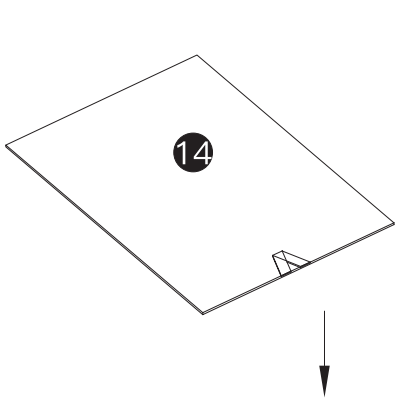
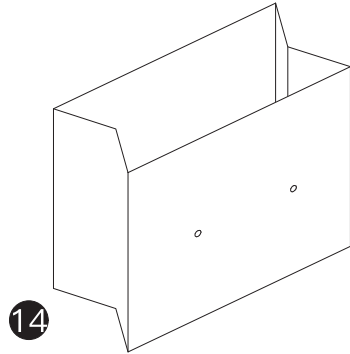
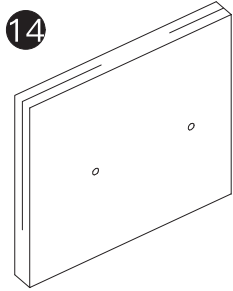
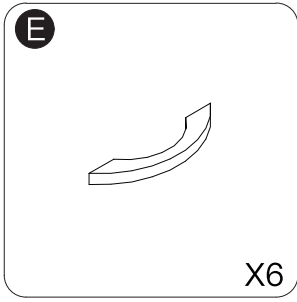
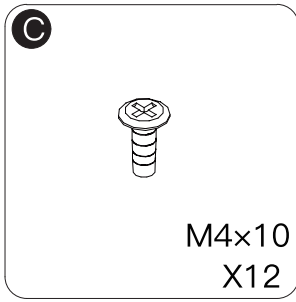
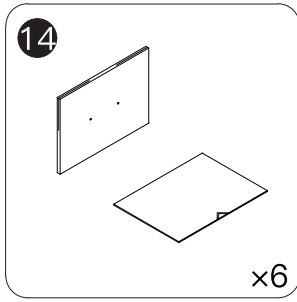


Step 12 Open the drawers (part **13**) and put support boards inside, and install part **E** on the drawers with part **C**.



X3

Step 13 Open the drawers (part 14) and put support boards inside, and install part E on the drawers with part C.



X6

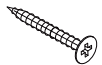
Step 14

(Optional) Drill two holes on a solid wall and insert wall anchors of part **F** inside the holes, then lock the rack with part **F**.

F



M6X30



M4X50

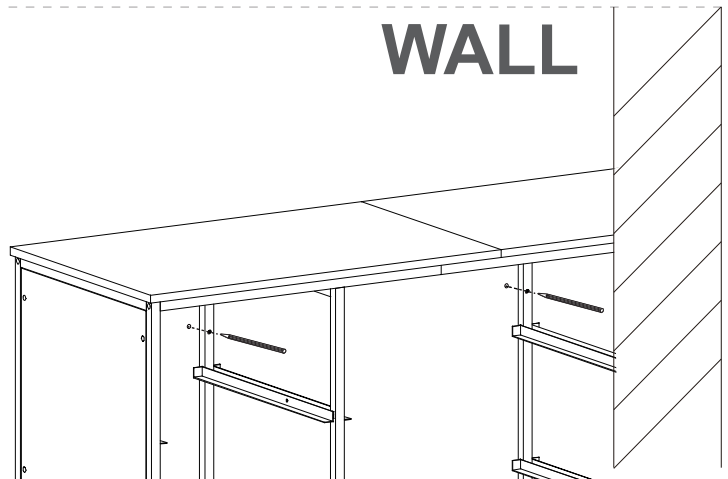
X2

NOTICE:

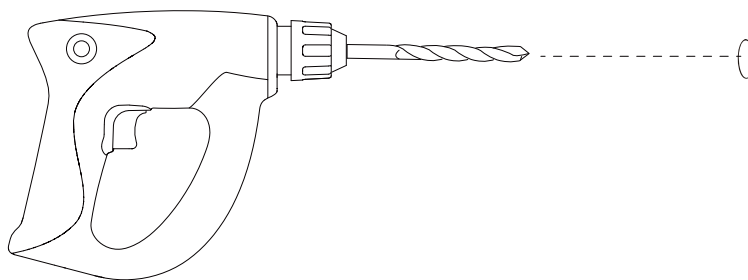
Electric drill does not included in our parts, please prepare it by yourself.

1

Place the rack against the wall, locate and mark out two holes.



2

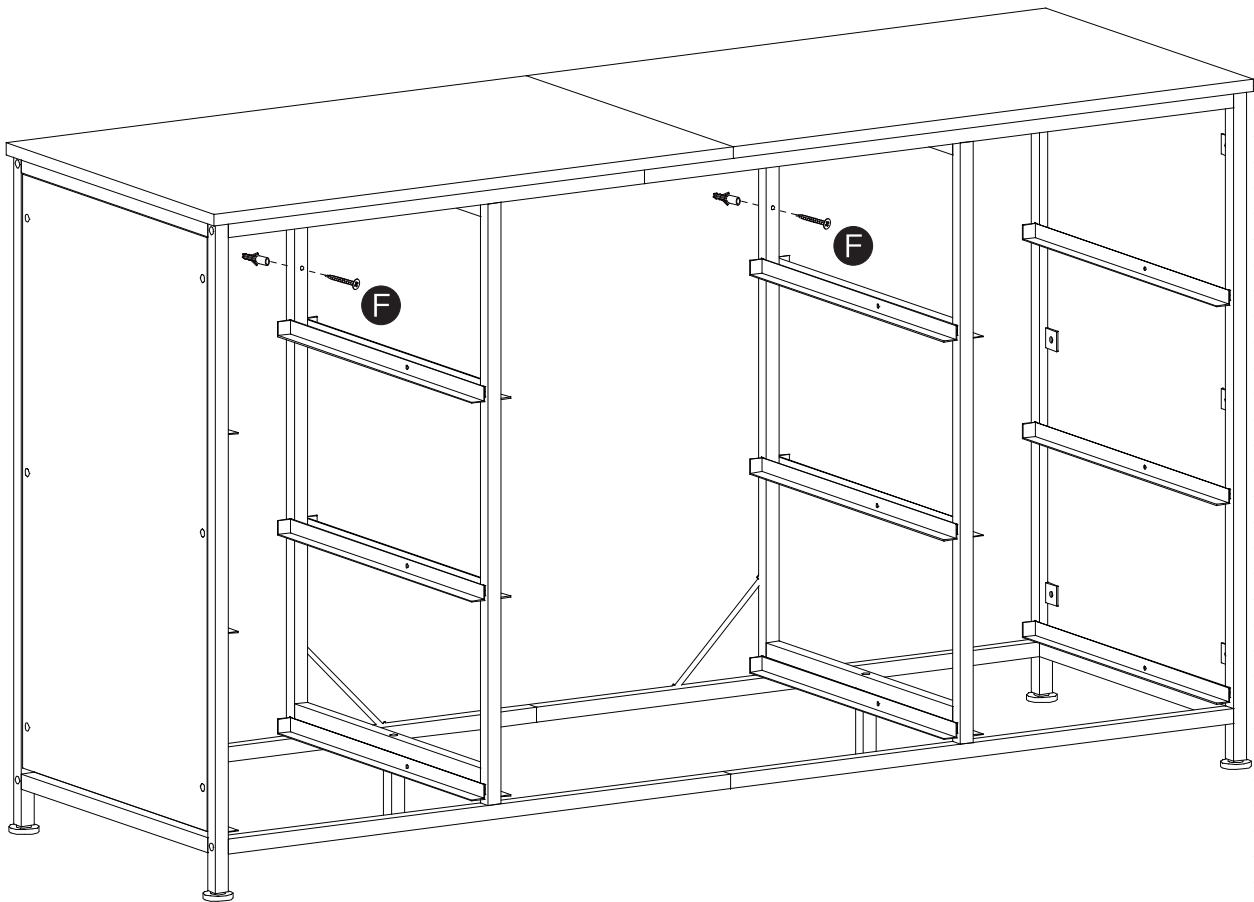
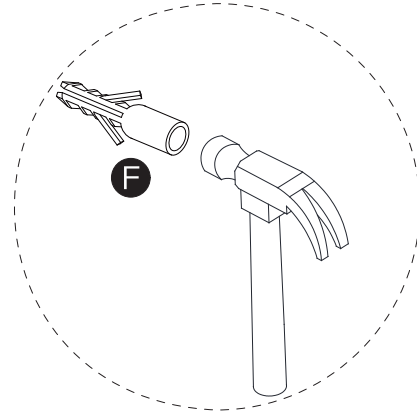
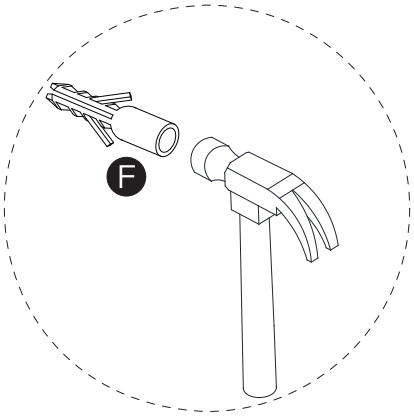


3



4

WALL



Step 15

Put all drawers into the frame.

