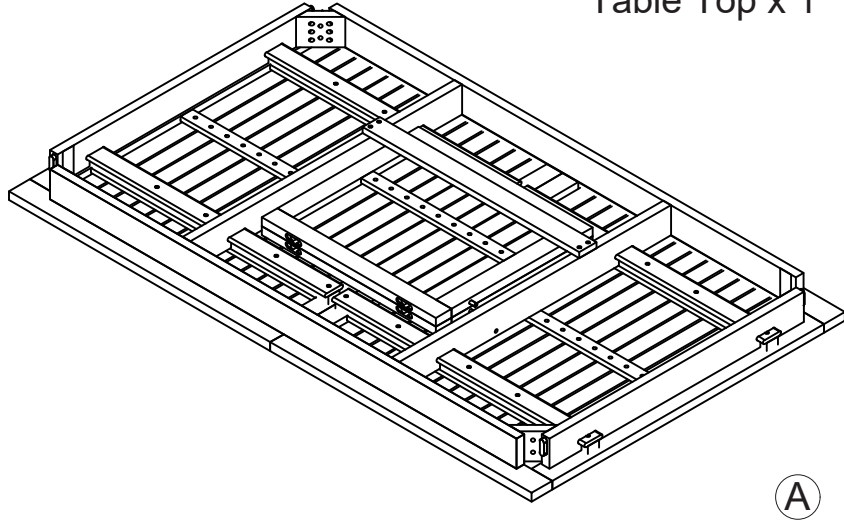


ASSEMBLY INSTRUCTIONS

Table Top x 1



Step 1

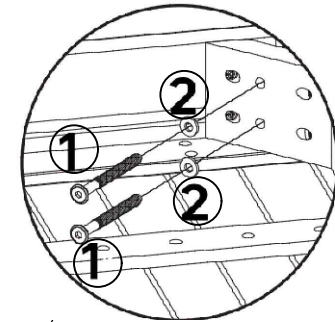
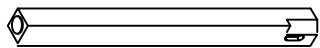
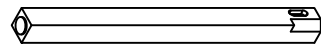


Table leg Left x2

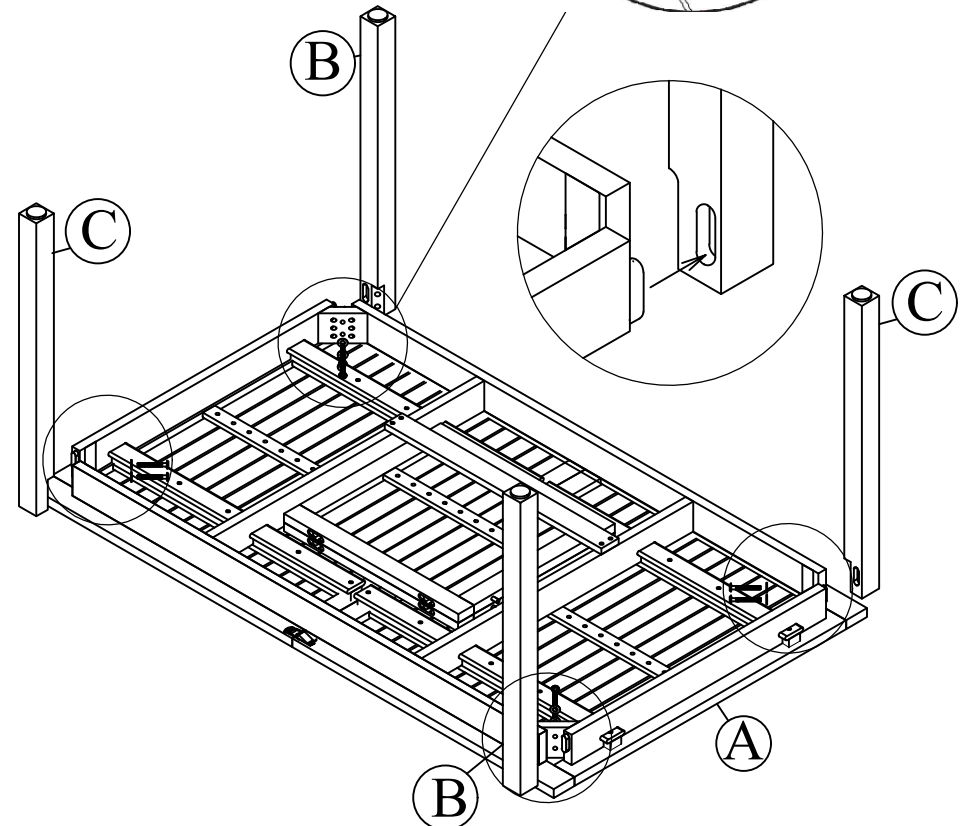


(B)

Table leg Right x2

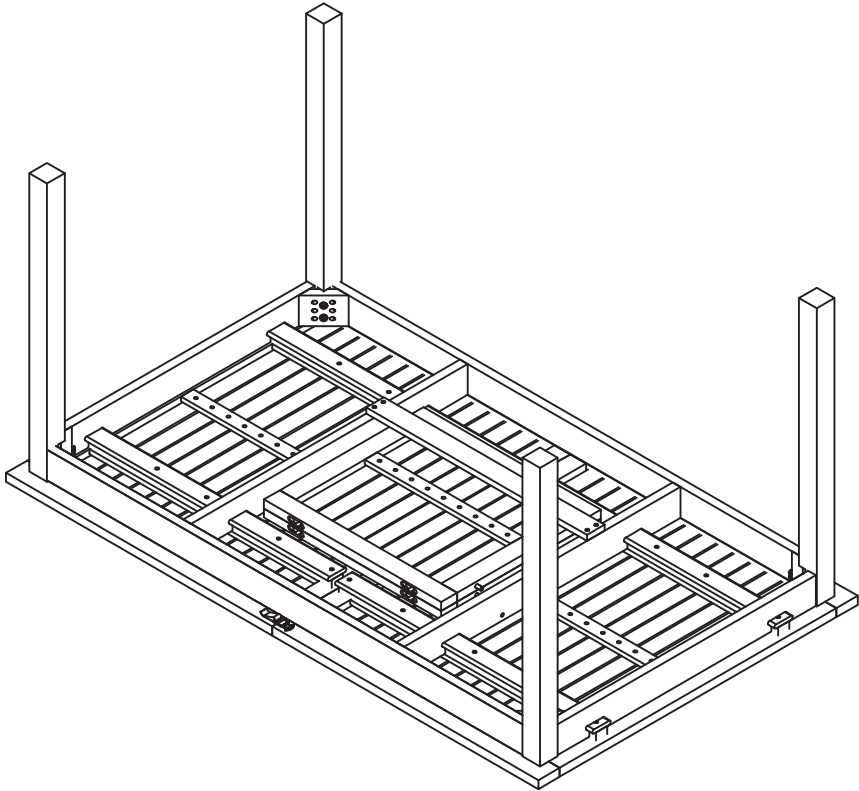


(C)

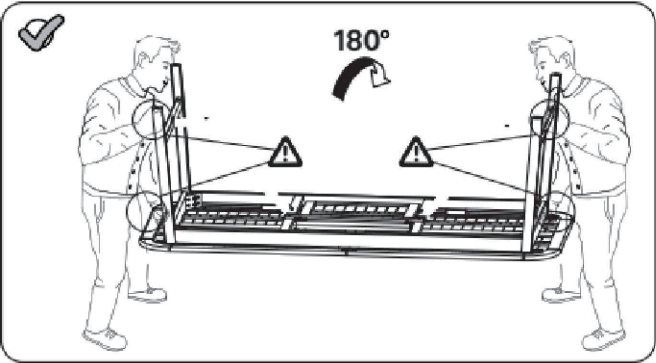
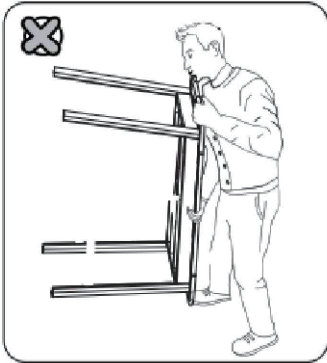
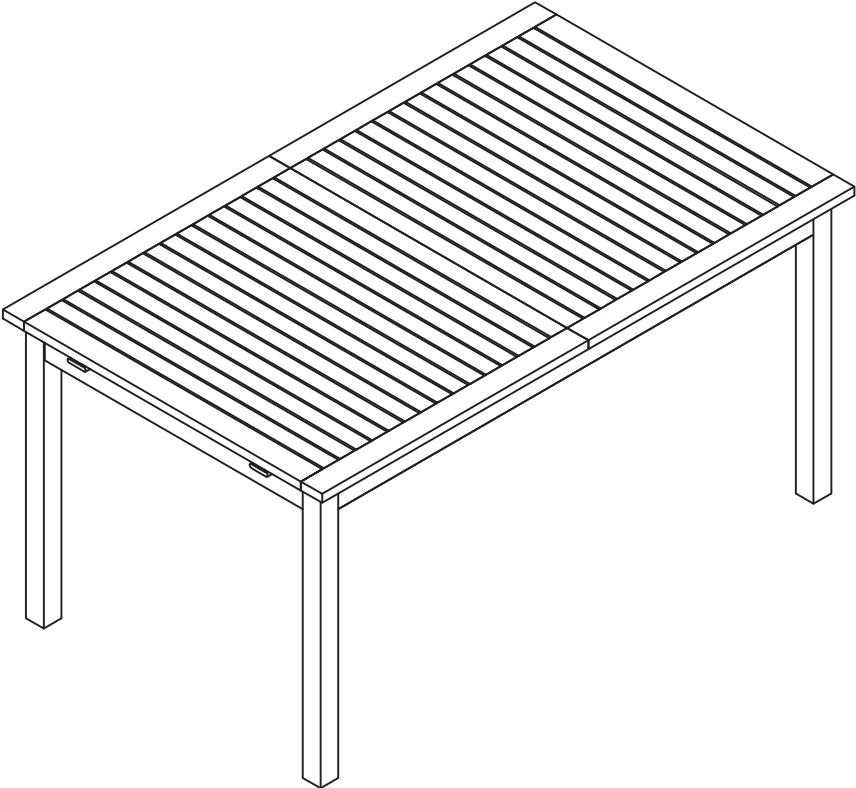


HARDWARE

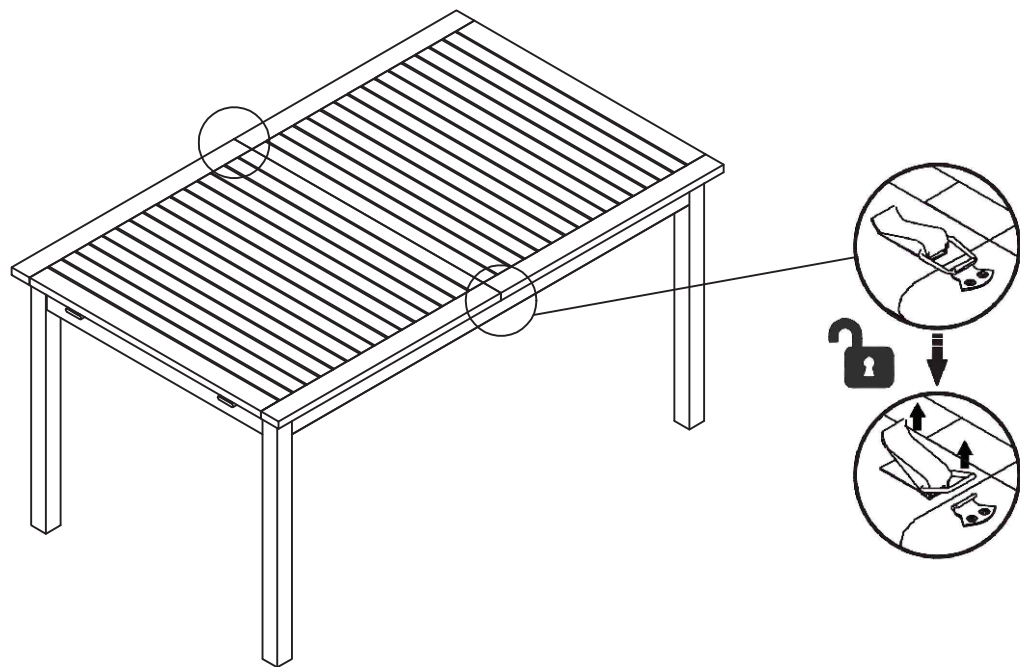
NO.	PICTURE	DESCRIPTION	QTY.
1		Blots(8 x 55)mm	08
2		Pads (8 x 20 x 2)mm	08
3		Allen key (4)mm	02



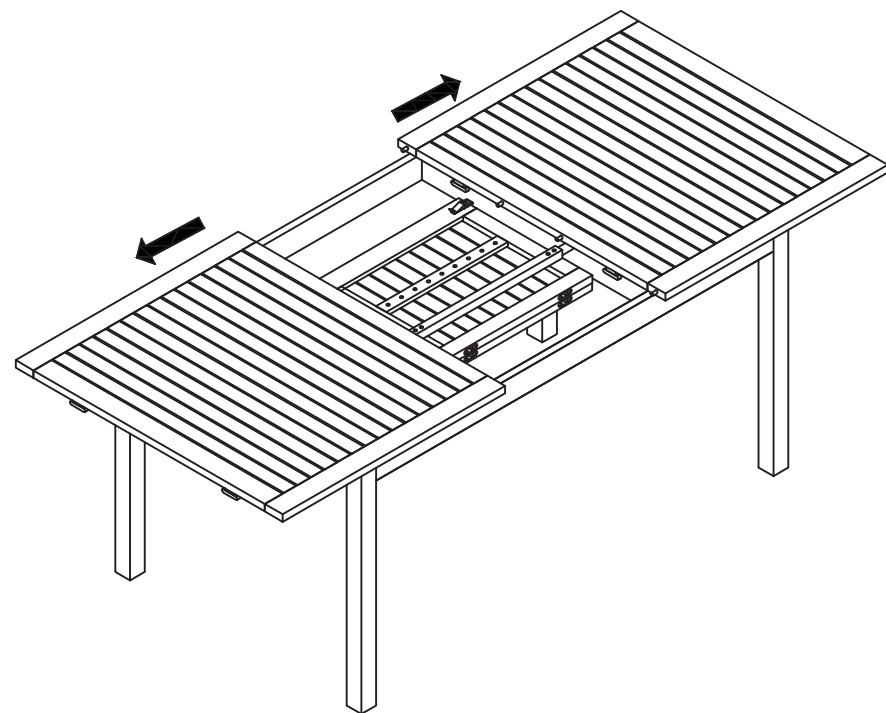
Step 2



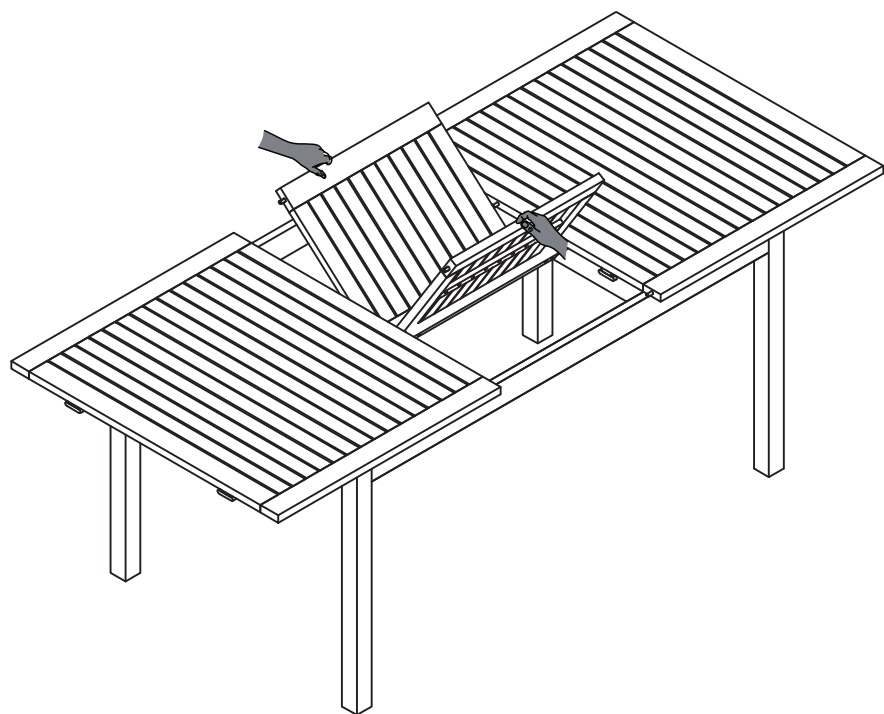
Step 3



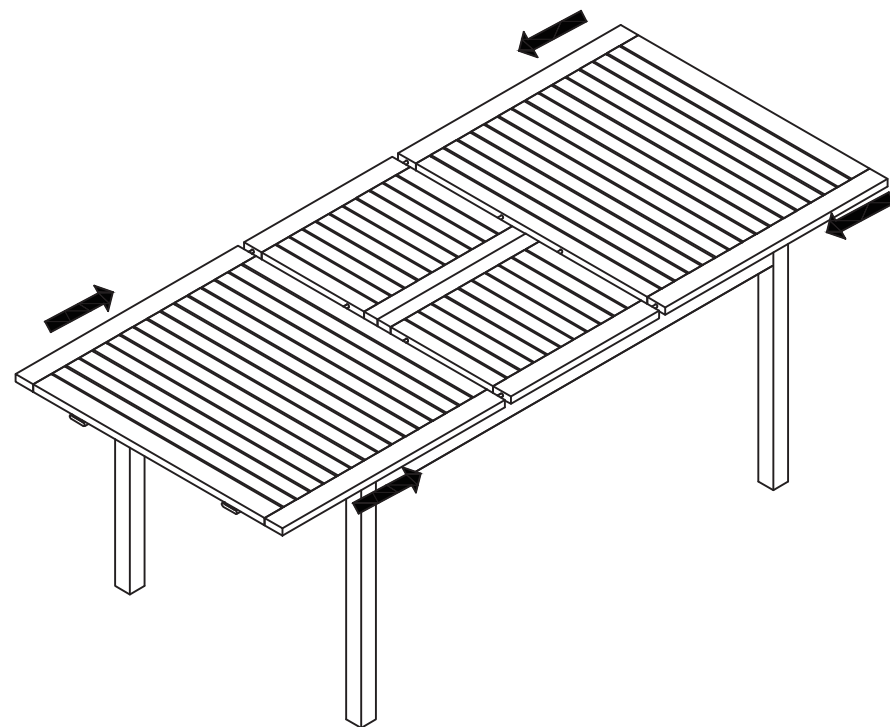
Step 4

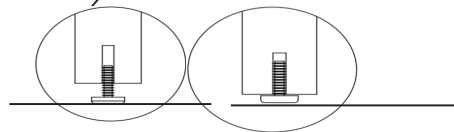
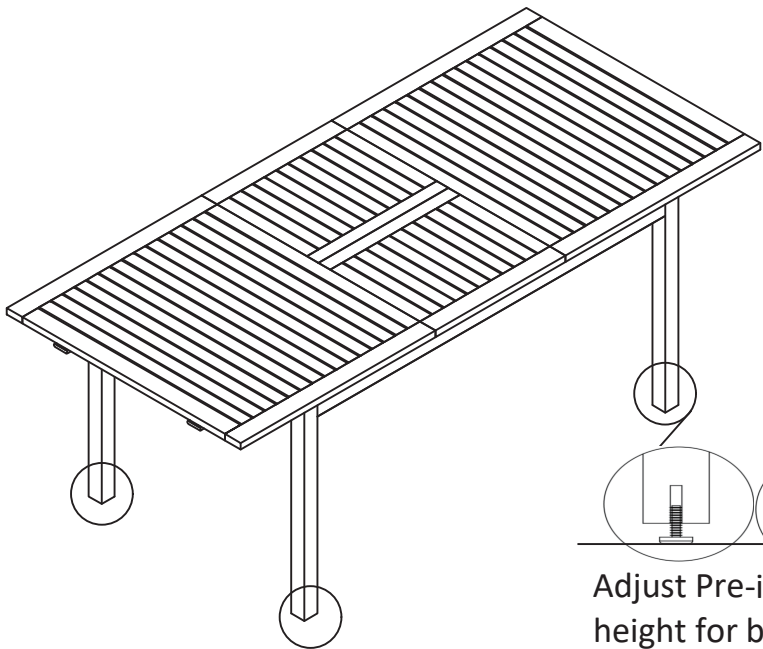
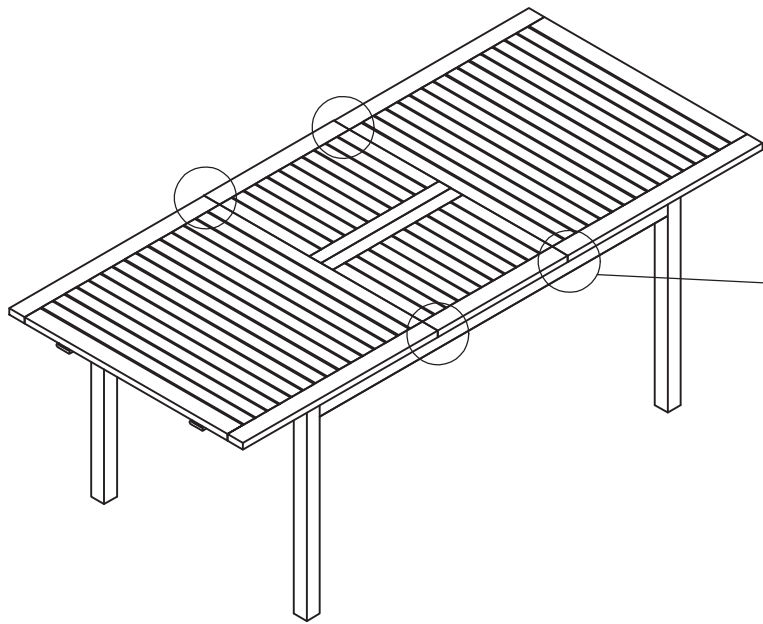


Step 5



Step 6





Adjust Pre-installed Levelers height for balance

