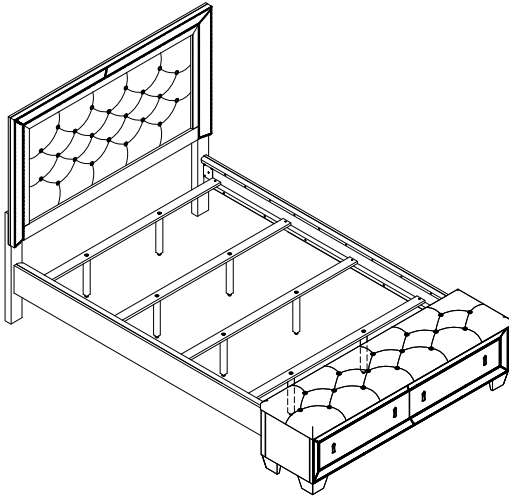
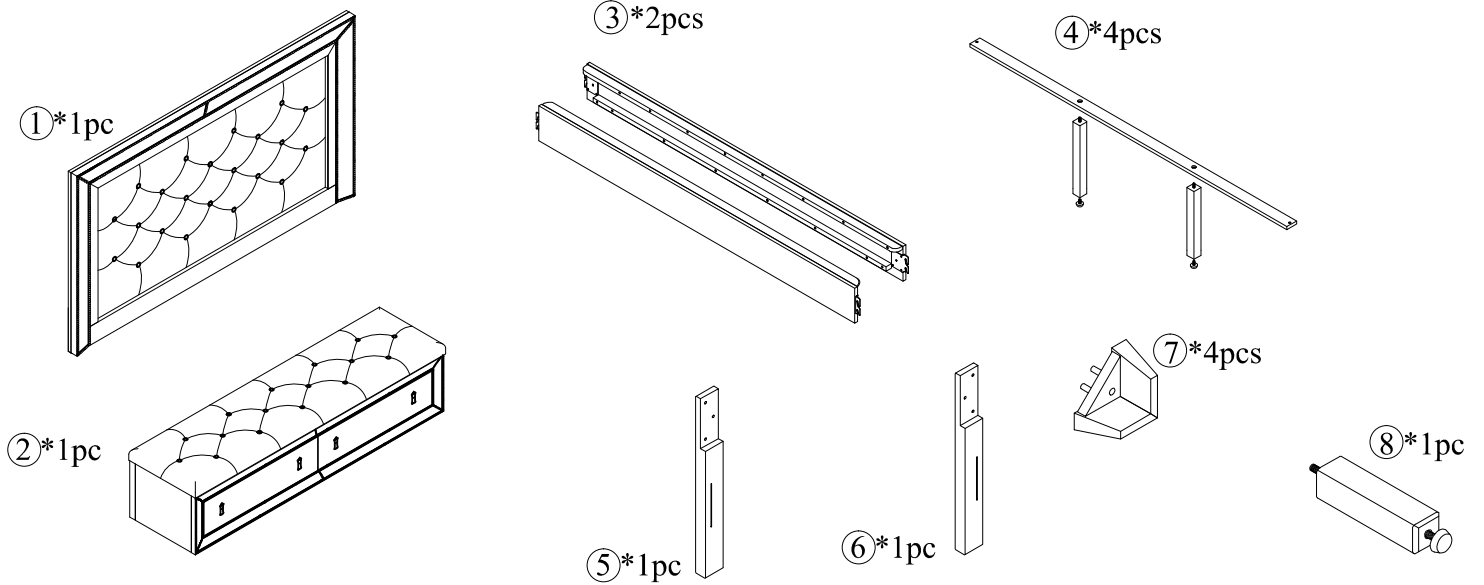


# ASSEMBLY INSTRUCTIONS

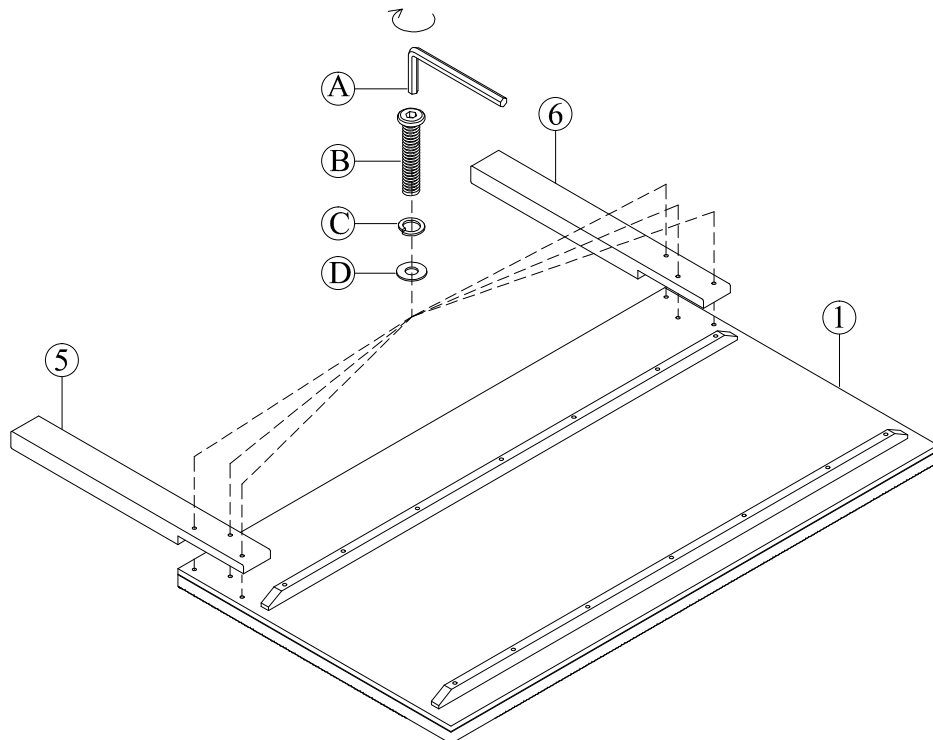
## DESCRIPTION: CAL KING BED



HARD WARE LIST			
PARTS	DESCRIPTION	SKETCH	Q"TY
A	ALLEN KEY		1PC
B	JCBC BOLT $\frac{5}{16}$ "*L38mm		10PCS
C	SPRING WASHER $\frac{5}{16}$ " $\phi$ 12mm		10PCS
D	FLAT WASHER $\frac{5}{16}$ " $\phi$ 19mm		10PCS
E	SCREWS $\phi$ 8* $\phi$ 4*L25mm		8PCS



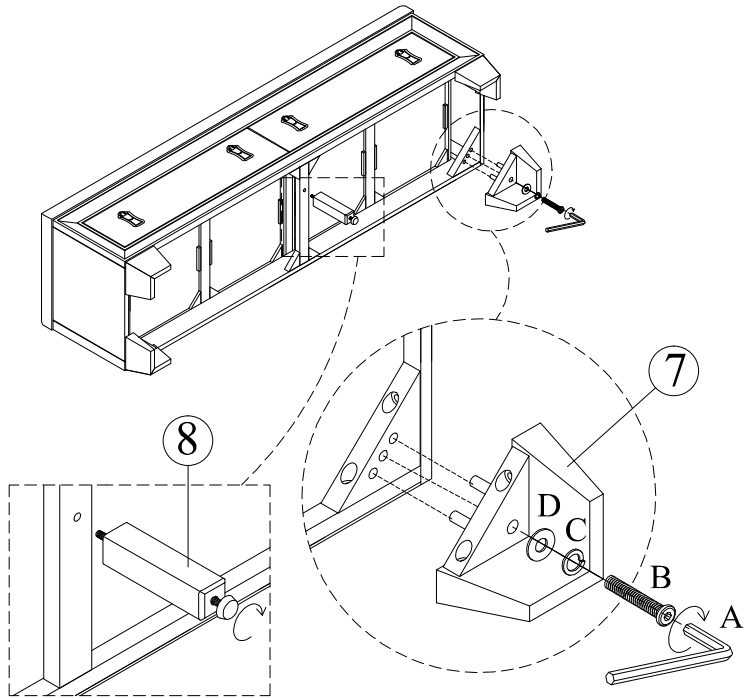
### STEP 1



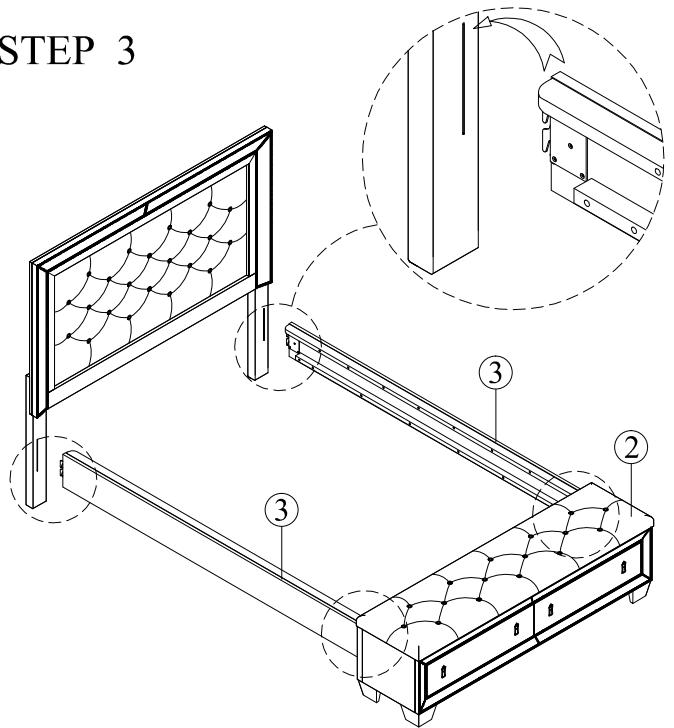
# ASSEMBLY INSTRUCTIONS

DESCRIPTION: CAL KING BED

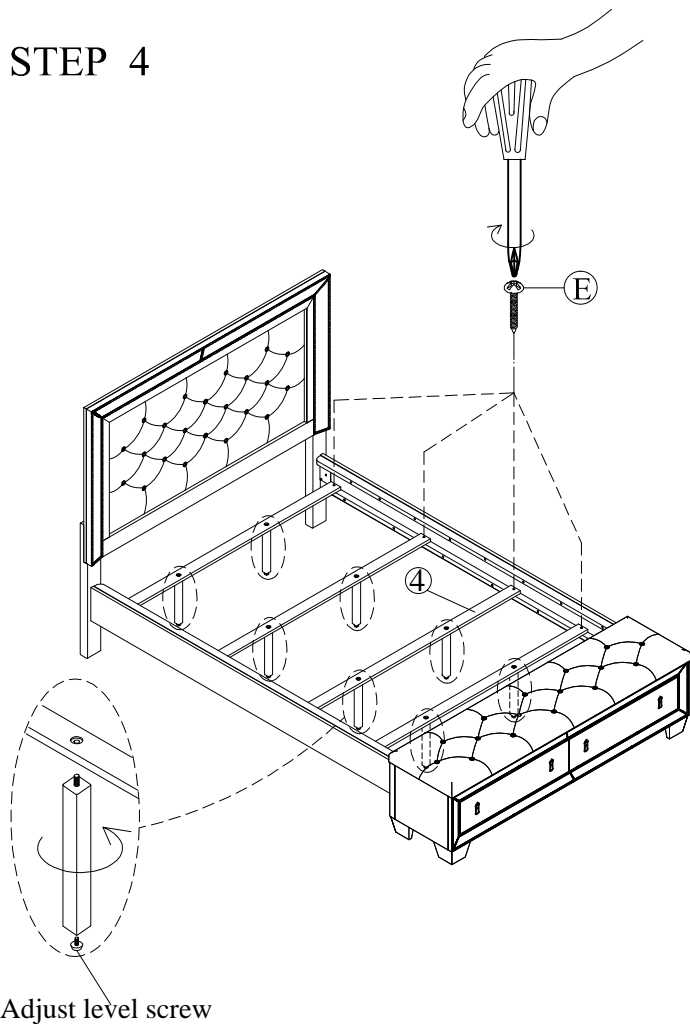
## STEP 2



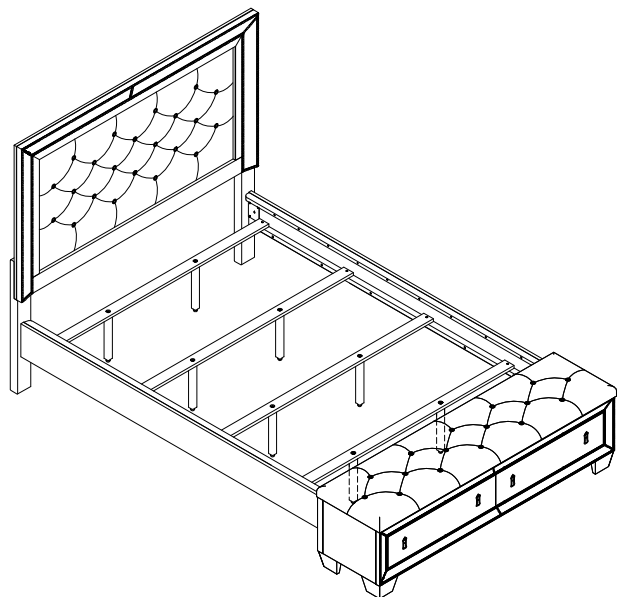
## STEP 3



## STEP 4

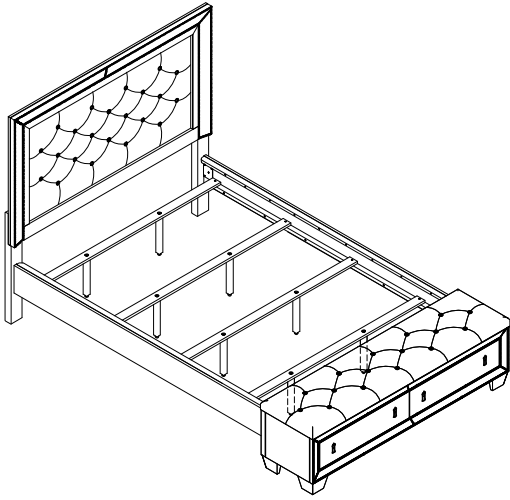


## STEP 5

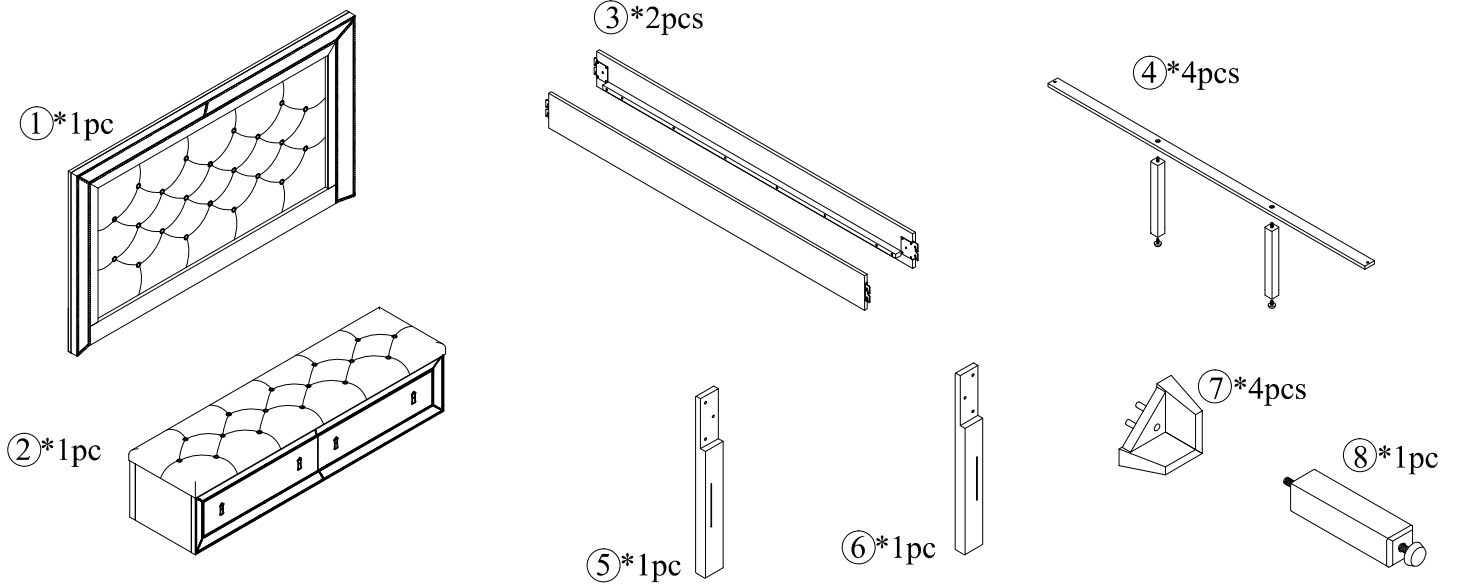


# ASSEMBLY INSTRUCTIONS

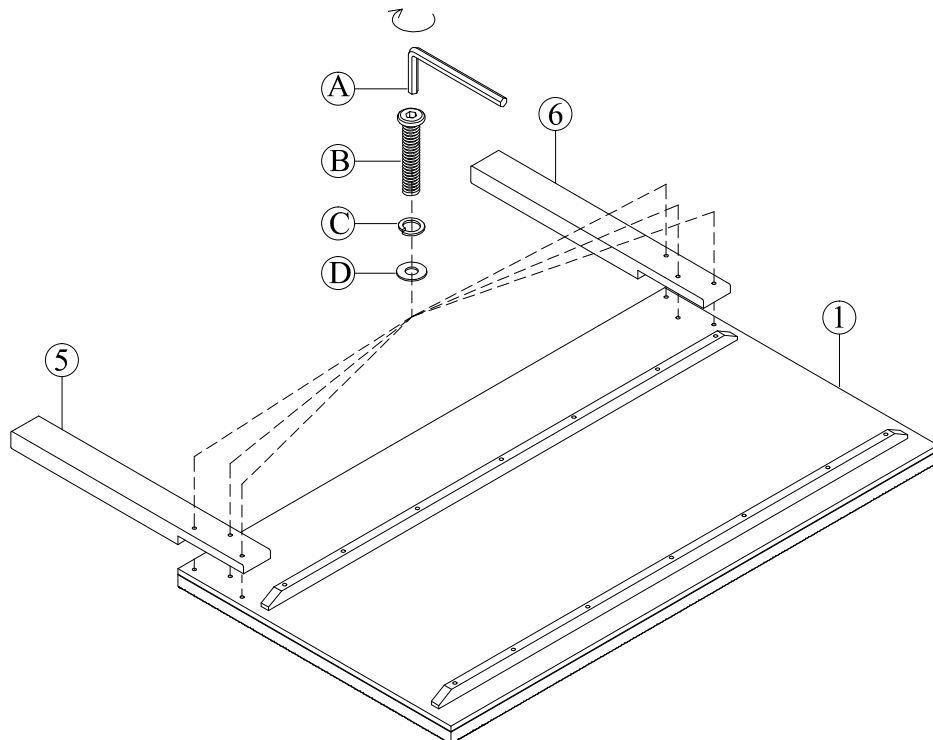
DESCRIPTION: KING BED



HARD WARE LIST			
PARTS	DESCRIPTION	SKETCH	Q"TY
A	ALLEN KEY		1PC
B	JCBC BOLT $\varnothing\frac{5}{16}$ "*L38mm		10PCS
C	SPRING WASHER $\varnothing\frac{5}{16}$ " $\varnothing$ 12mm		10PCS
D	FLAT WASHER $\varnothing\frac{5}{16}$ " $\varnothing$ 19mm		10PCS
E	SCREWS $\varnothing$ 8* $\varnothing$ 4*L25mm		8PCS



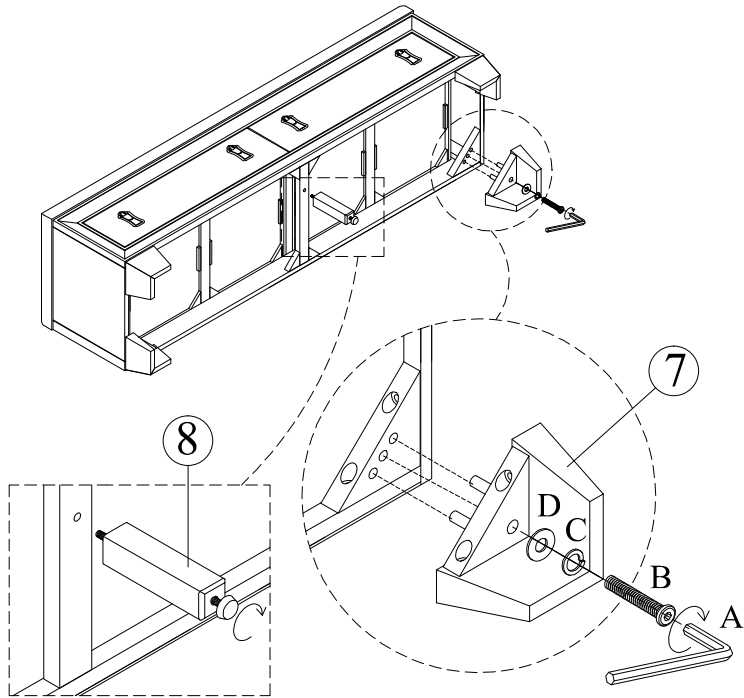
## STEP 1



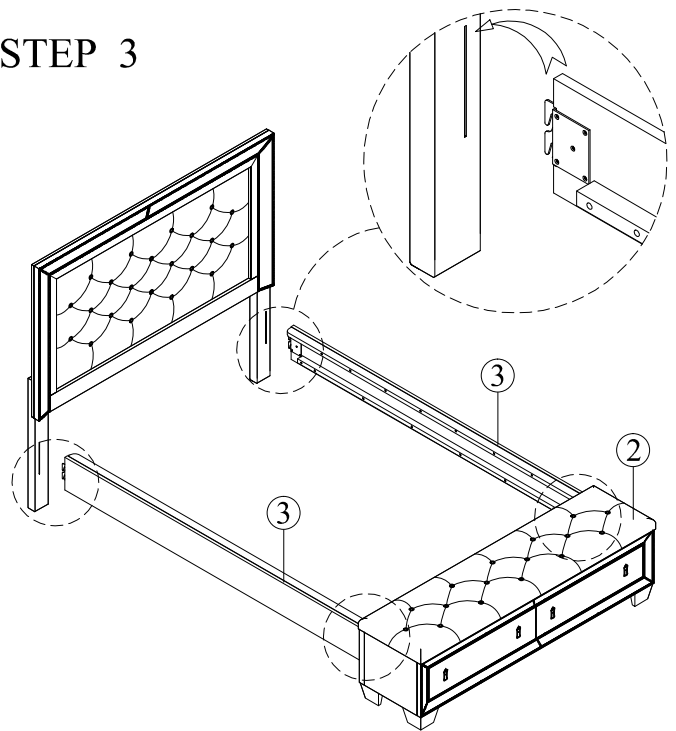
# ASSEMBLY INSTRUCTIONS

DESCRIPTION: KING BED

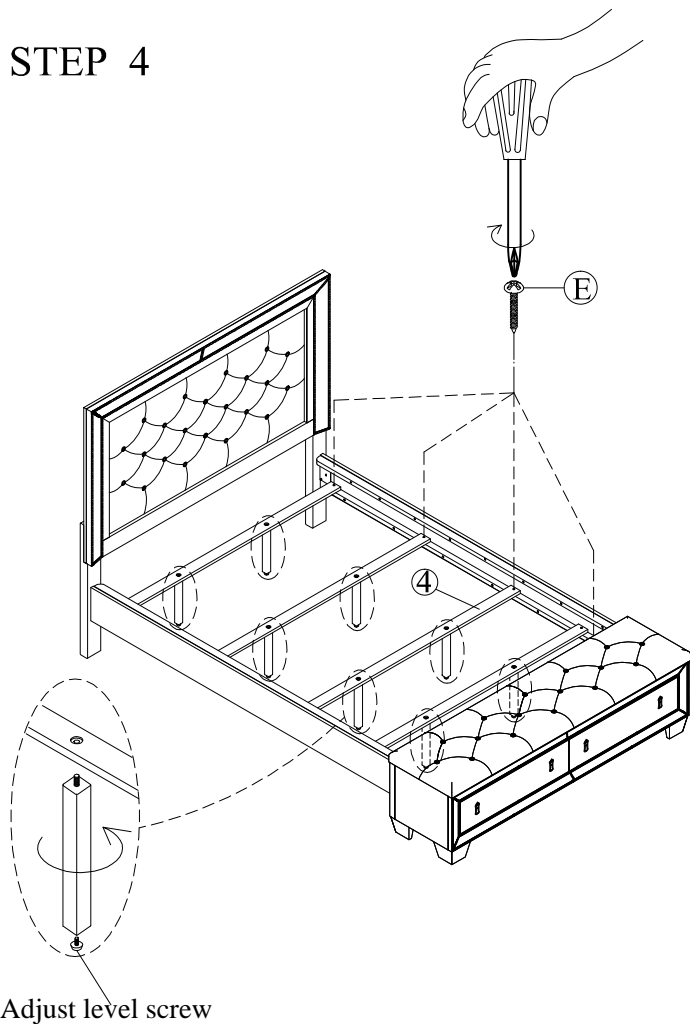
## STEP 2



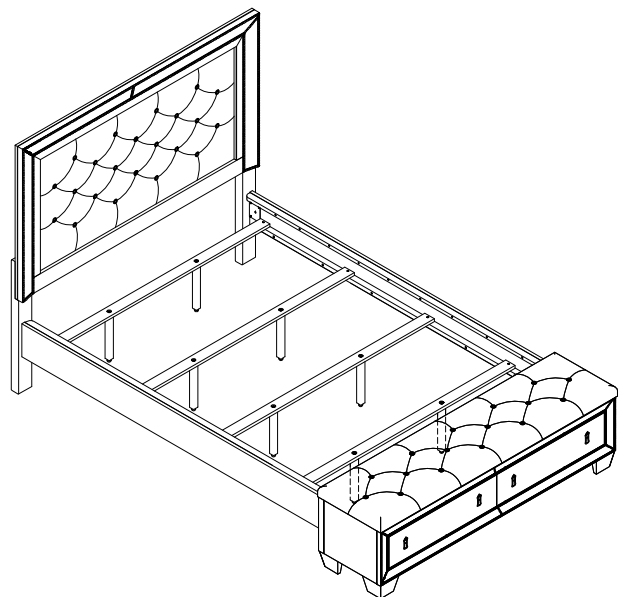
## STEP 3



## STEP 4

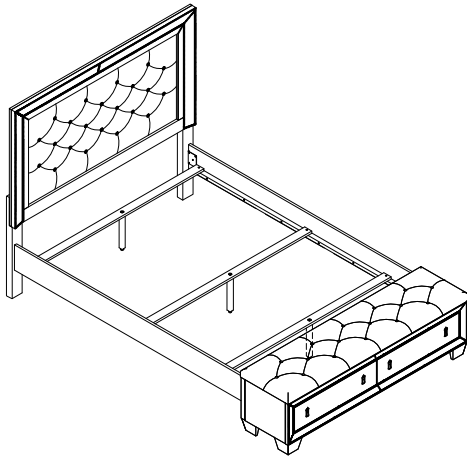


## STEP 5

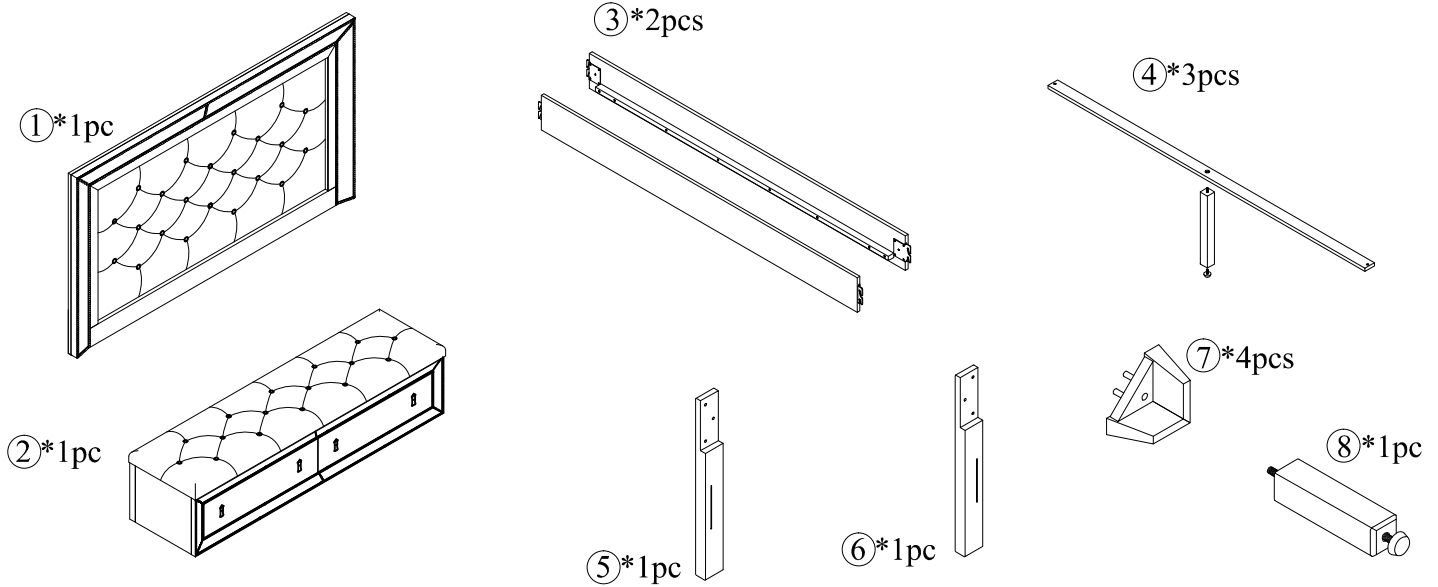


# ASSEMBLY INSTRUCTIONS

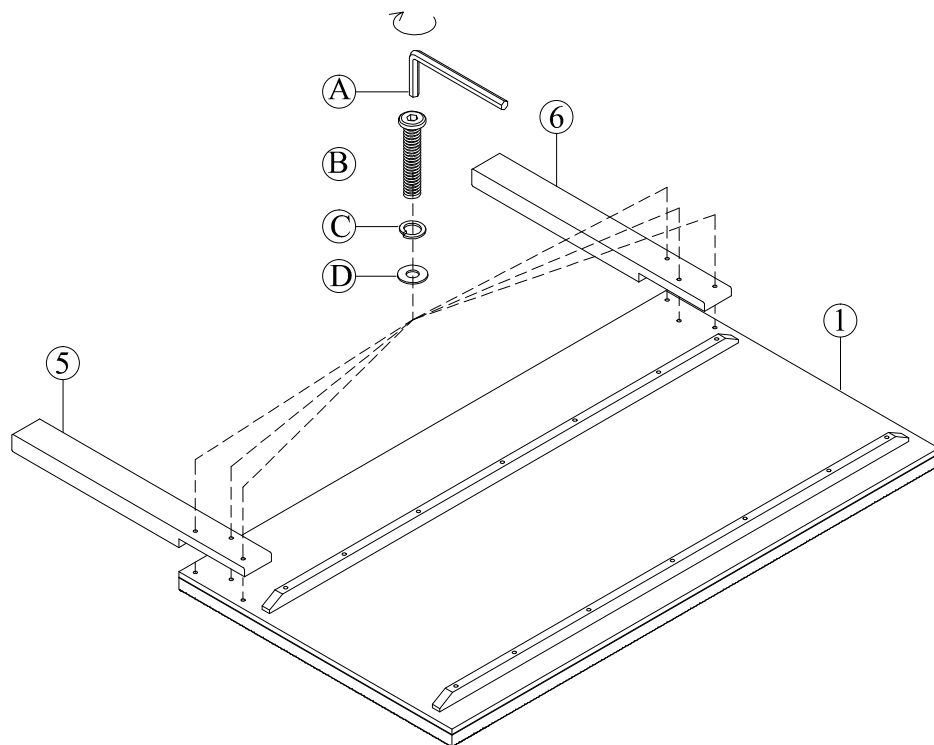
DESCRIPTION: QUEEN BED



HARD WARE LIST			
PARTS	DESCRIPTION	SKETCH	Q"TY
A	ALLEN KEY		1PC
B	JCBC BOLT $\phi_{16}^5 \times L38mm$		10PCS
C	SPRING WASHER $\phi_{16}^5 \times \phi 12mm$		10PCS
D	FLAT WASHER $\phi_{16}^5 \times \phi 19mm$		10PCS
E	SCREWS $\phi 8 \times \phi 4 \times L25mm$		6PCS



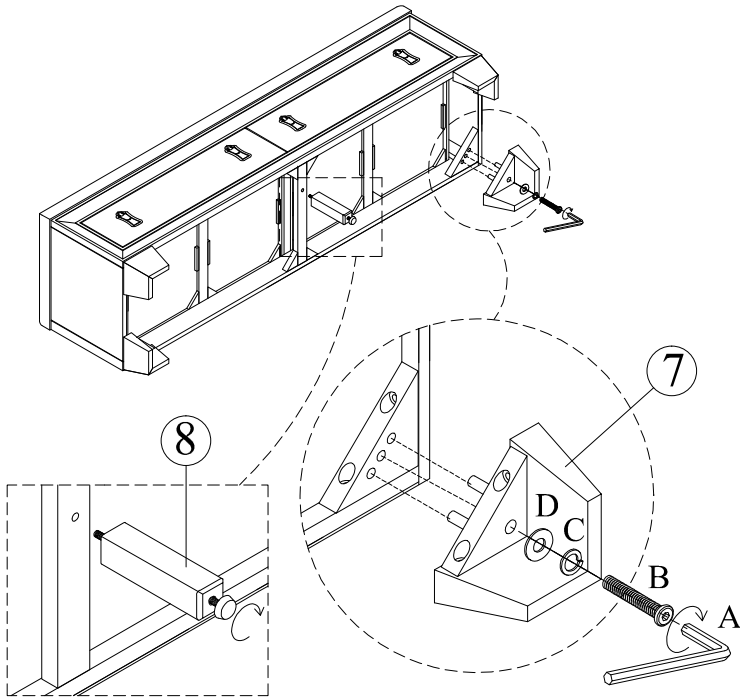
## STEP 1



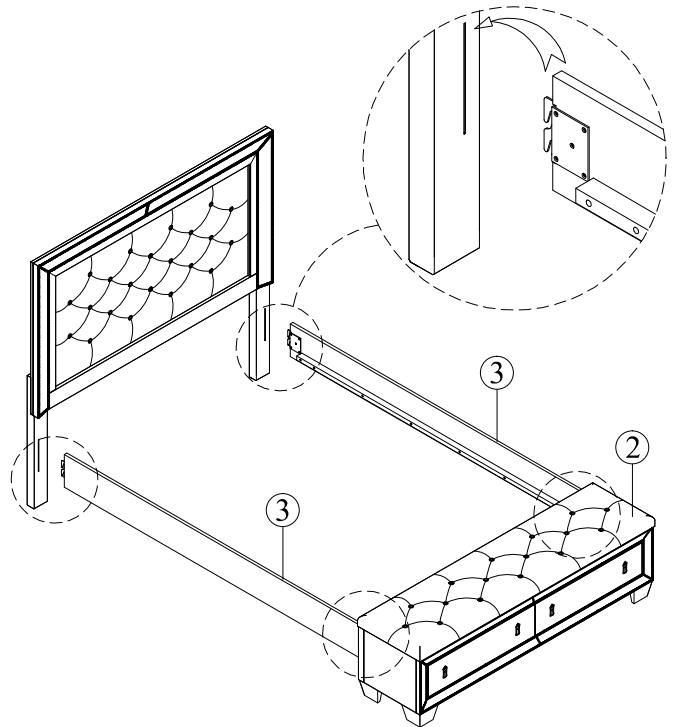
# ASSEMBLY INSTRUCTIONS

DESCRIPTION: QUEEN BED

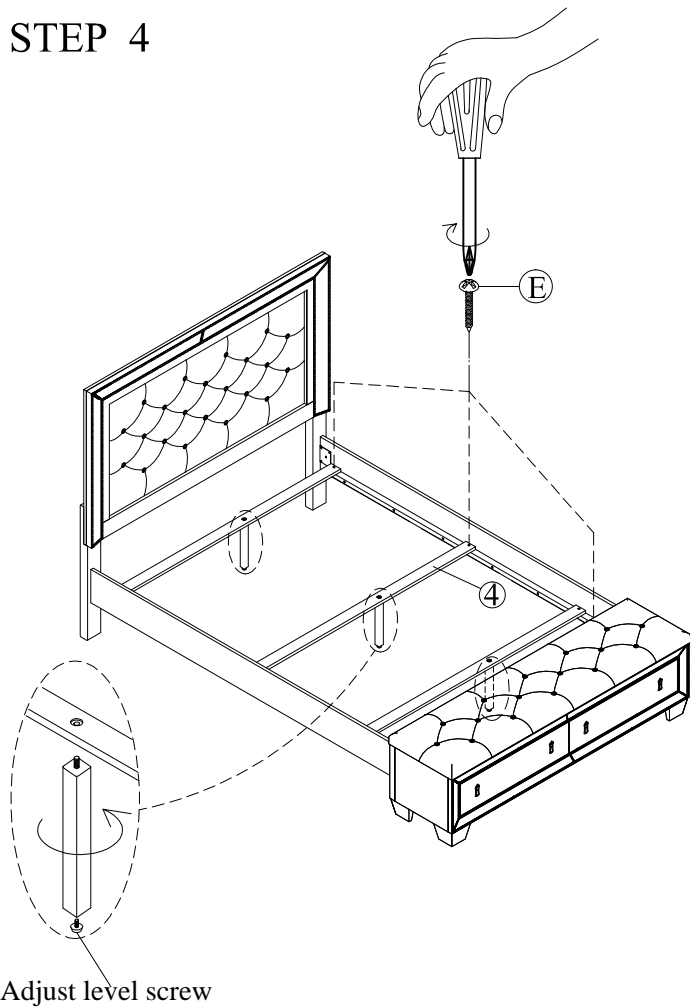
## STEP 2



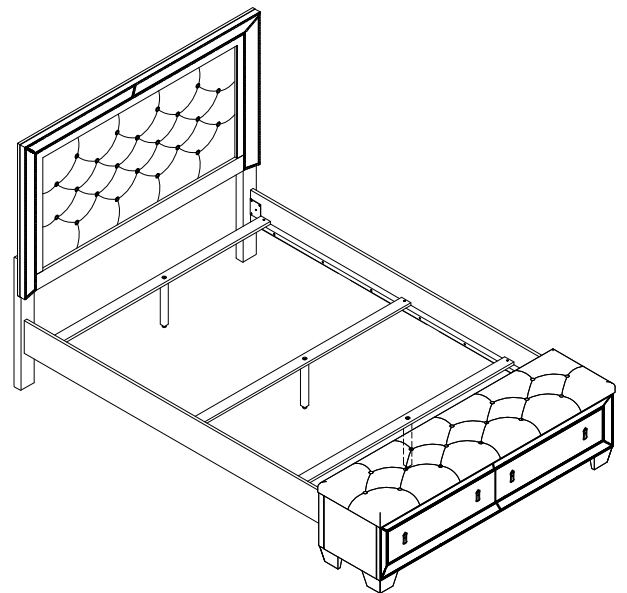
## STEP 3



## STEP 4

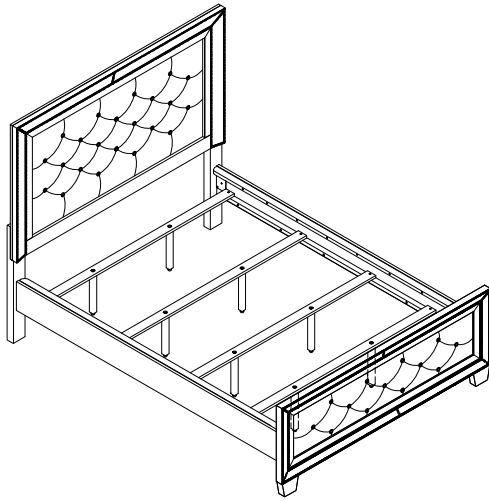


## STEP 5

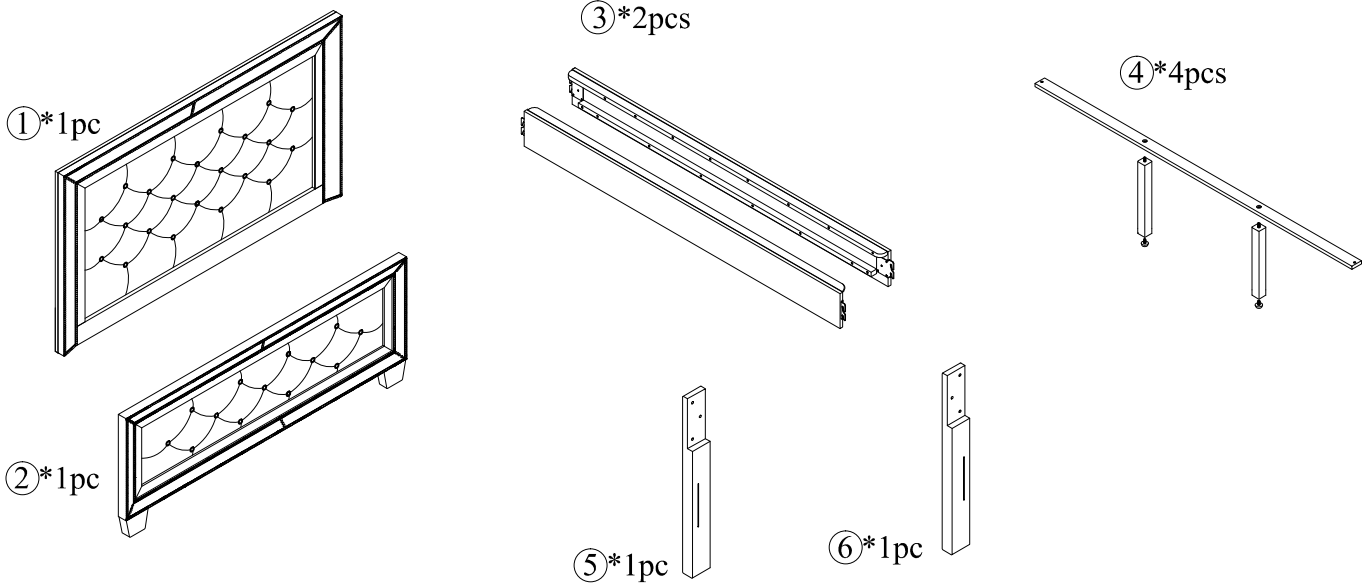


# ASSEMBLY INSTRUCTIONS

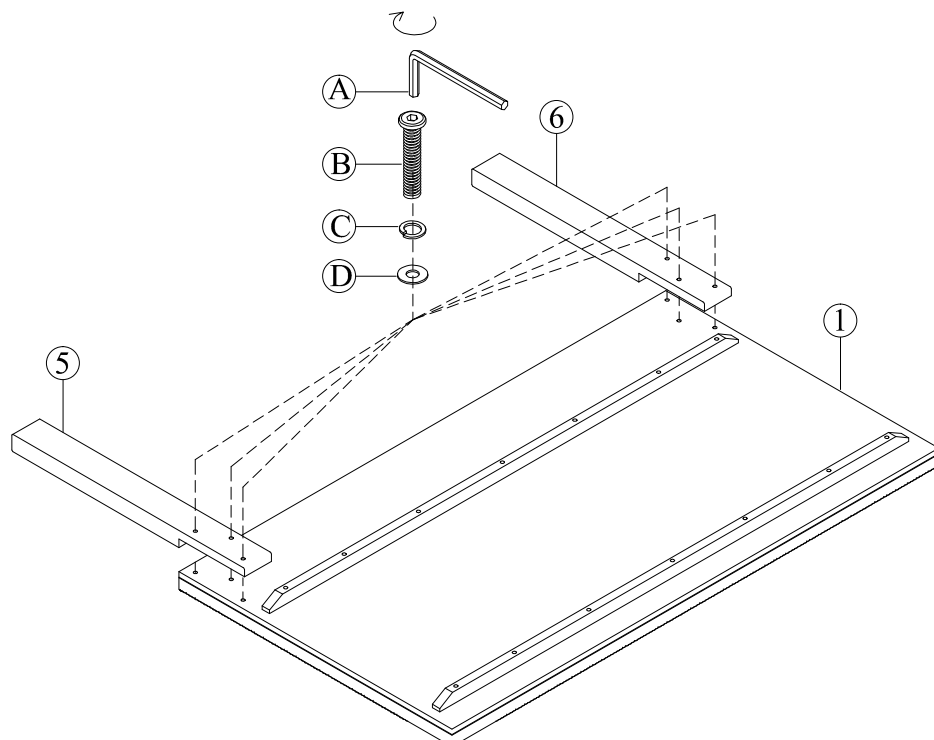
## DESCRIPTION: CAL KING BED



HARD WARE LIST			
PARTS	DESCRIPTION	SKETCH	Q"TY
A	ALLEN KEY		1PC
B	JCBC BOLT $\phi_{\frac{5}{16}}'' \times L38mm$		6PCS
C	SPRING WASHER $\phi_{\frac{5}{16}}'' \phi 12mm$		6PCS
D	FLAT WASHER $\phi_{\frac{5}{16}}'' \phi 19mm$		6PCS
E	SCREWS $\phi 8 \times \phi 4 \times L25mm$		8PCS



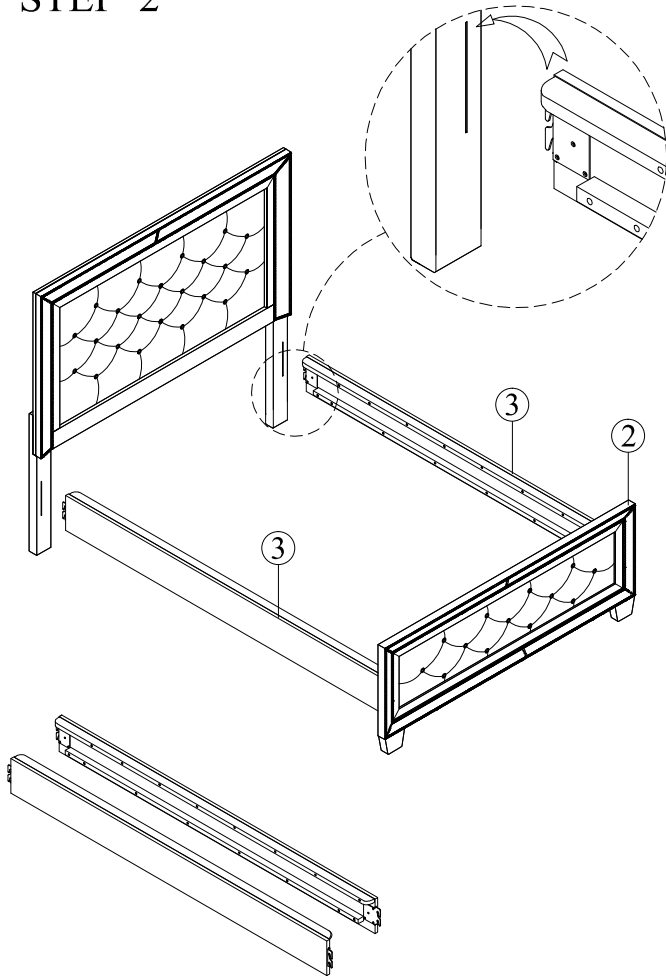
### STEP 1



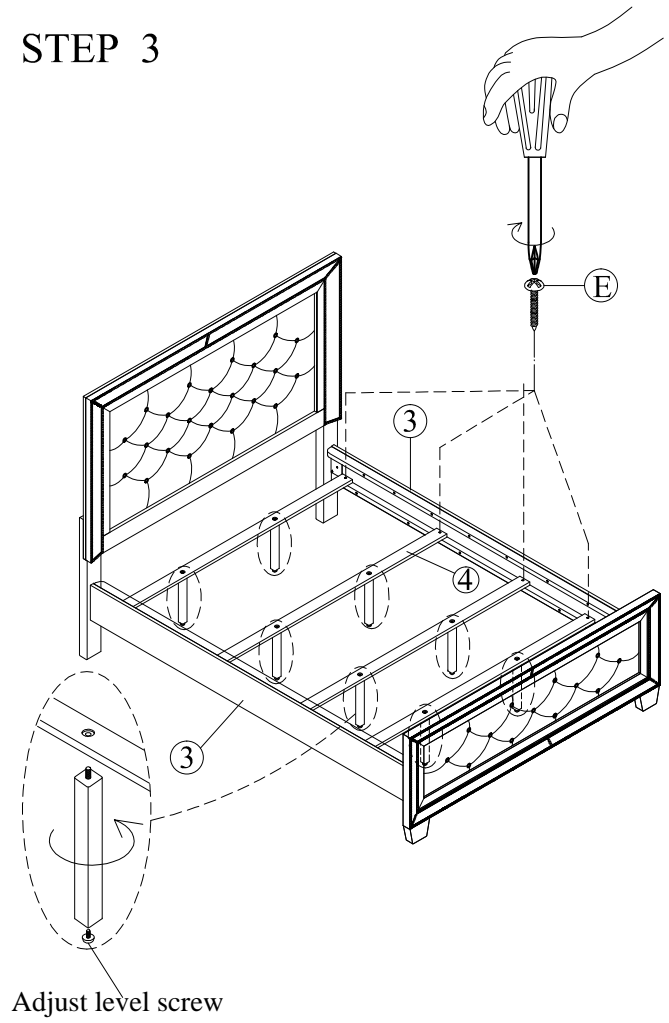
# ASSEMBLY INSTRUCTIONS

DESCRIPTION: CAL KING BED

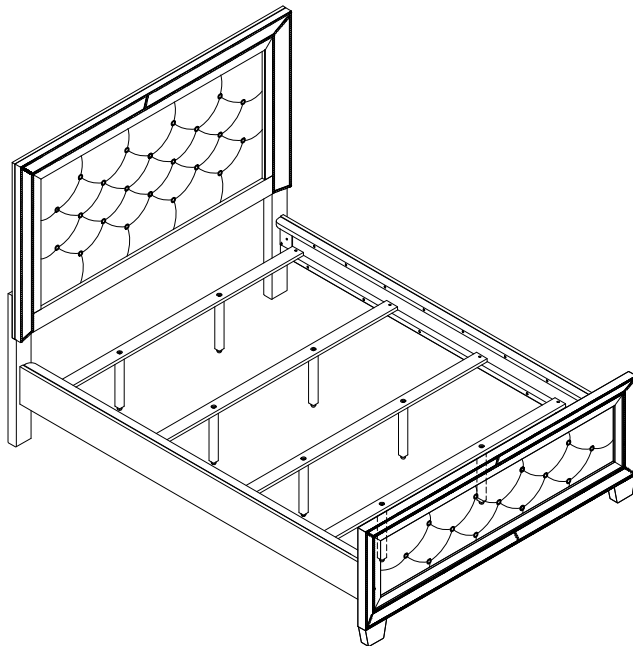
## STEP 2



## STEP 3

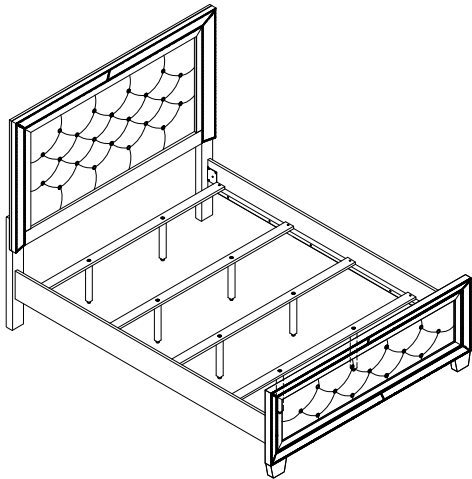


## STEP 4

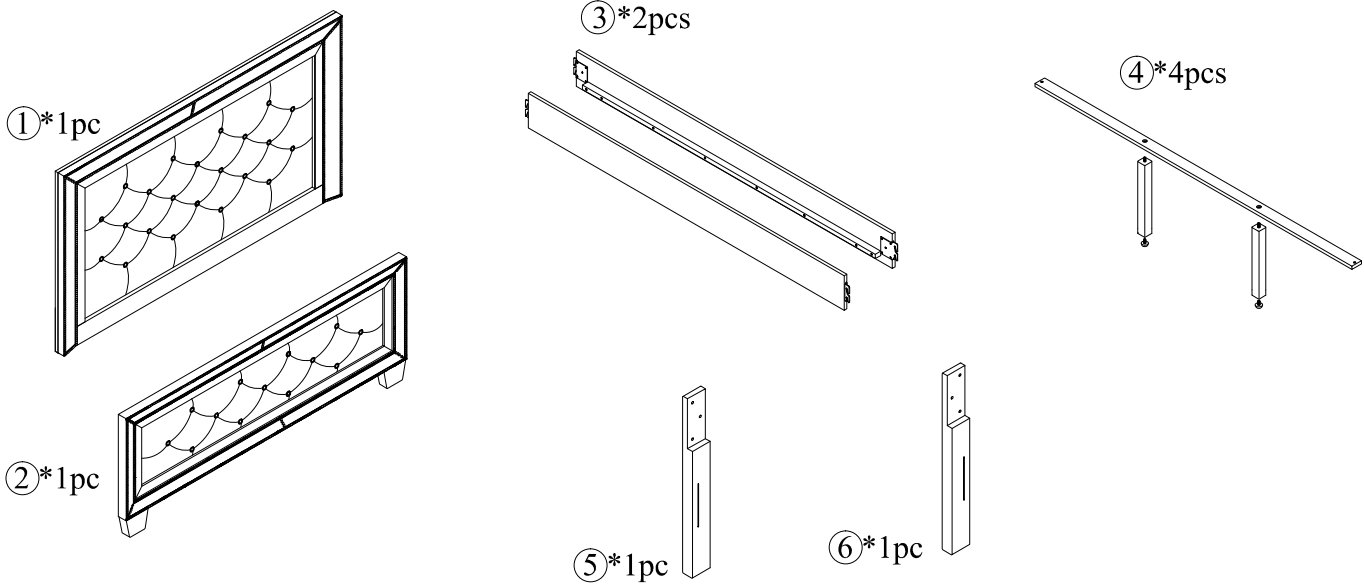


# ASSEMBLY INSTRUCTIONS

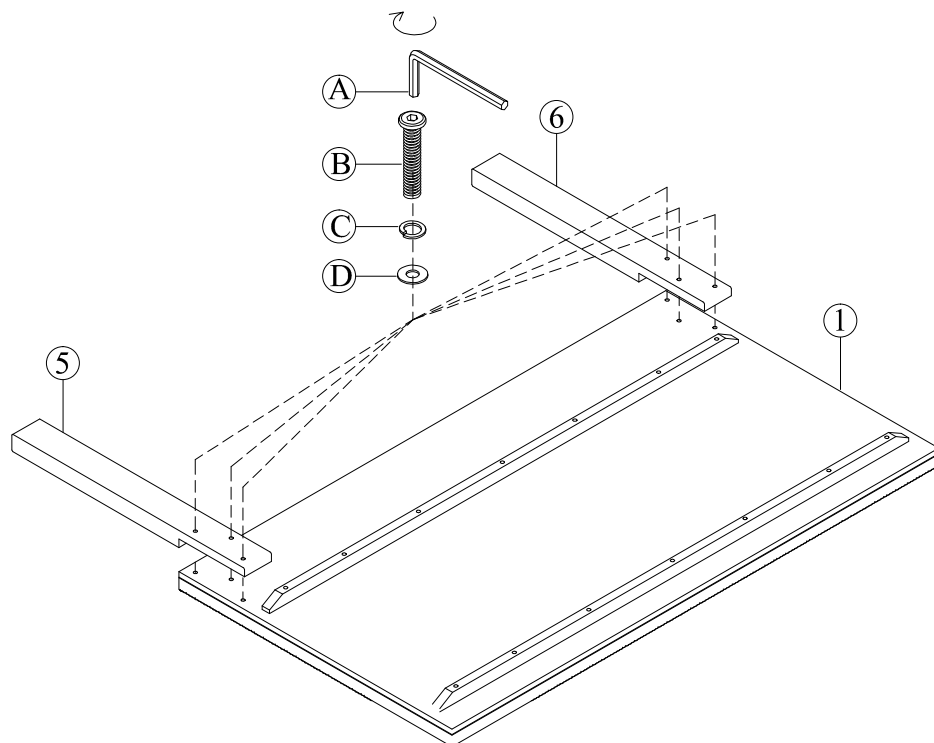
DESCRIPTION: KING BED



HARD WARE LIST			
PARTS	DESCRIPTION	SKETCH	Q"TY
A	ALLEN KEY		1PC
B	JCBC BOLT $\phi_{16}^5 \times L38\text{mm}$		6PCS
C	SPRING WASHER $\phi_{16}^5 \times \phi 12\text{mm}$		6PCS
D	FLAT WASHER $\phi_{16}^5 \times \phi 19\text{mm}$		6PCS
E	SCREWS $\phi 8 \times \phi 4 \times L25\text{mm}$		8PCS



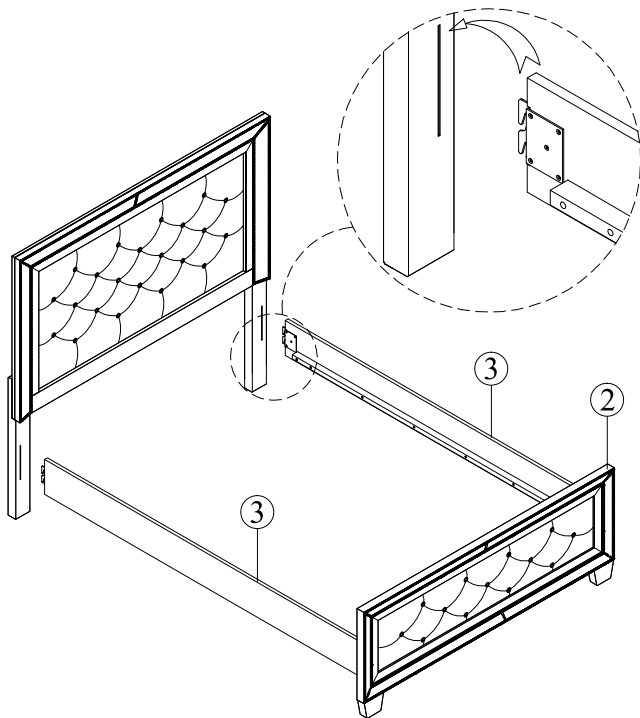
## STEP 1



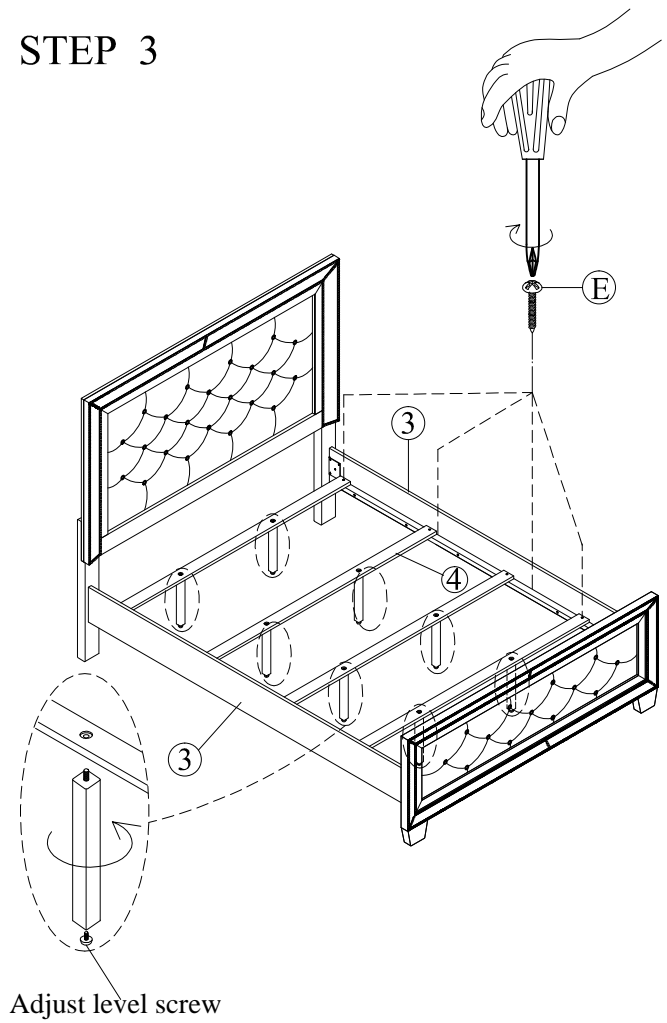
# ASSEMBLY INSTRUCTIONS

DESCRIPTION: KING BED

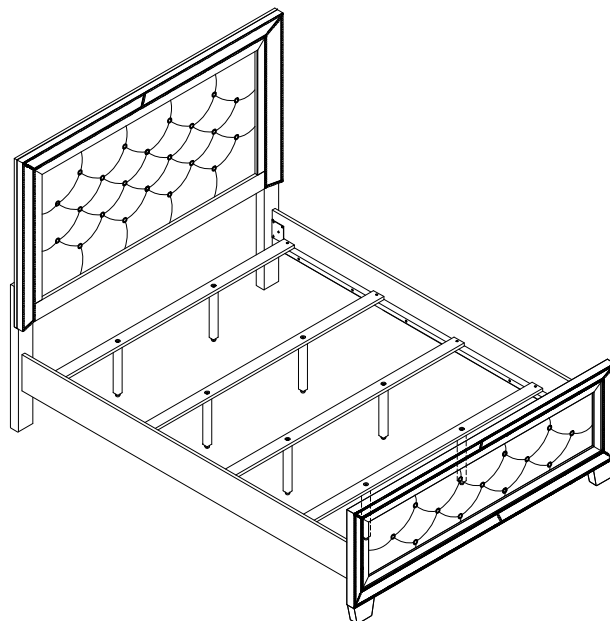
## STEP 2



## STEP 3

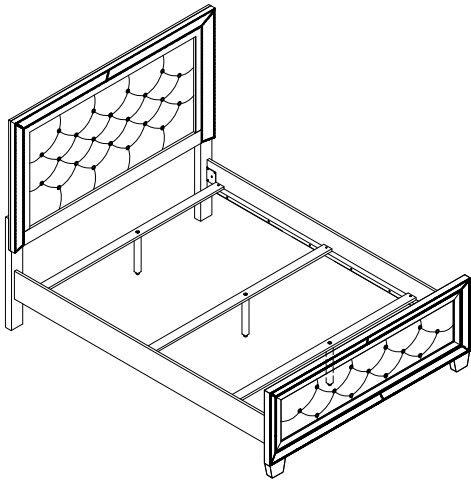


## STEP 4

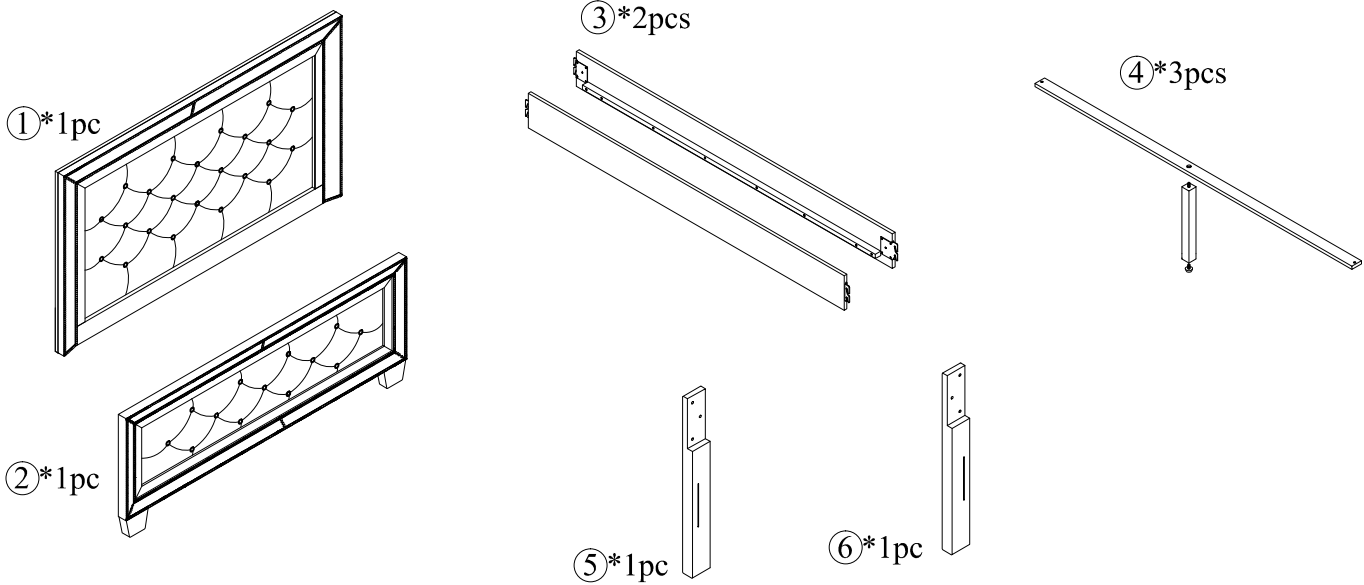


# ASSEMBLY INSTRUCTIONS

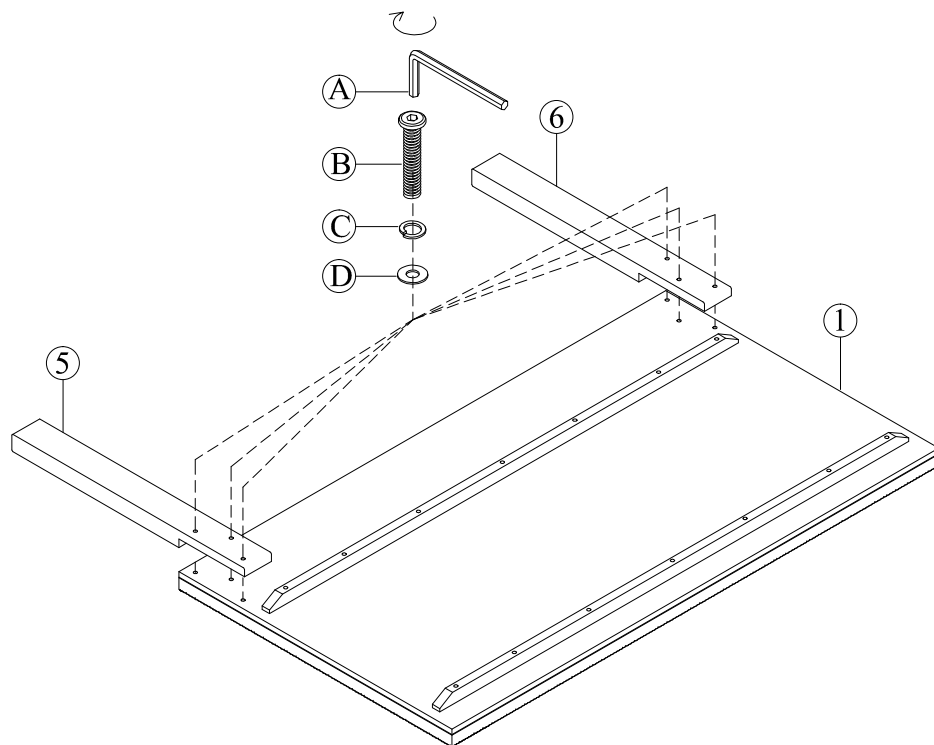
DESCRIPTION: QUEEN BED



HARD WARE LIST			
PARTS	DESCRIPTION	SKETCH	Q"TY
A	ALLEN KEY		1PC
B	JCBC BOLT $\phi_{\frac{5}{16}}^{\prime\prime} \times L38mm$		6PCS
C	SPRING WASHER $\phi_{\frac{5}{16}}^{\prime\prime} \phi 12mm$		6PCS
D	FLAT WASHER $\phi_{\frac{5}{16}}^{\prime\prime} \phi 19mm$		6PCS
E	SCREWS $\phi 8^{\prime\prime} \phi 4^{\prime\prime} \times L25mm$		6PCS



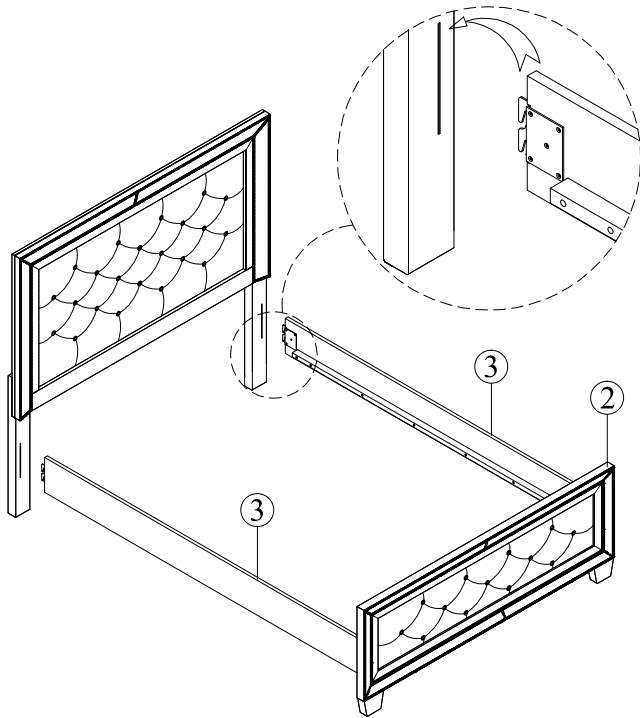
## STEP 1



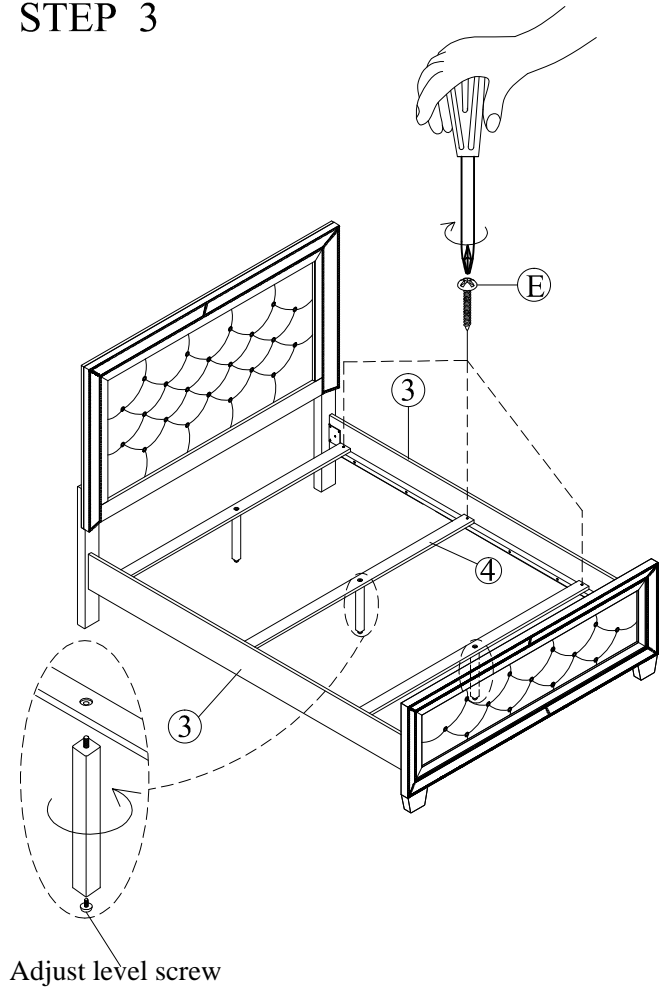
# ASSEMBLY INSTRUCTIONS

DESCRIPTION: QUEEN BED

## STEP 2



## STEP 3



## STEP 4

