

# ASSEMBLY INSTRUCTION

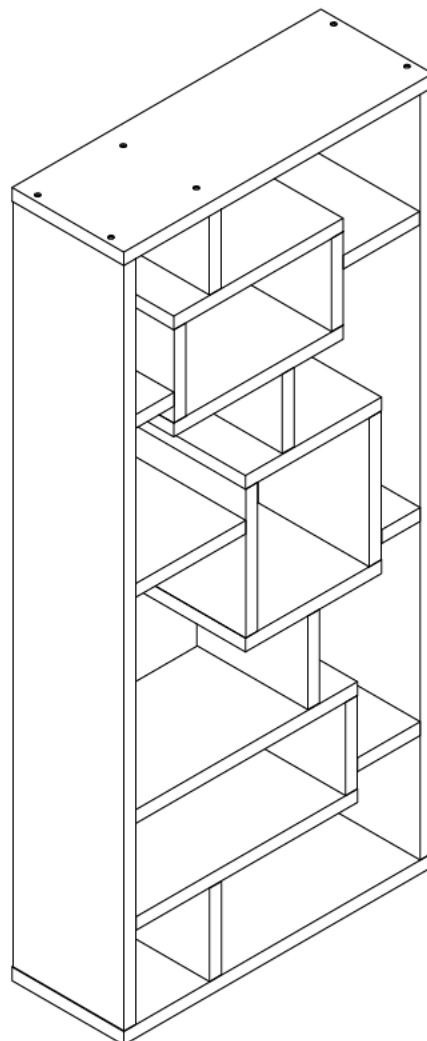
---

## **PLEASE READ BEFORE ASSEMBLING!**

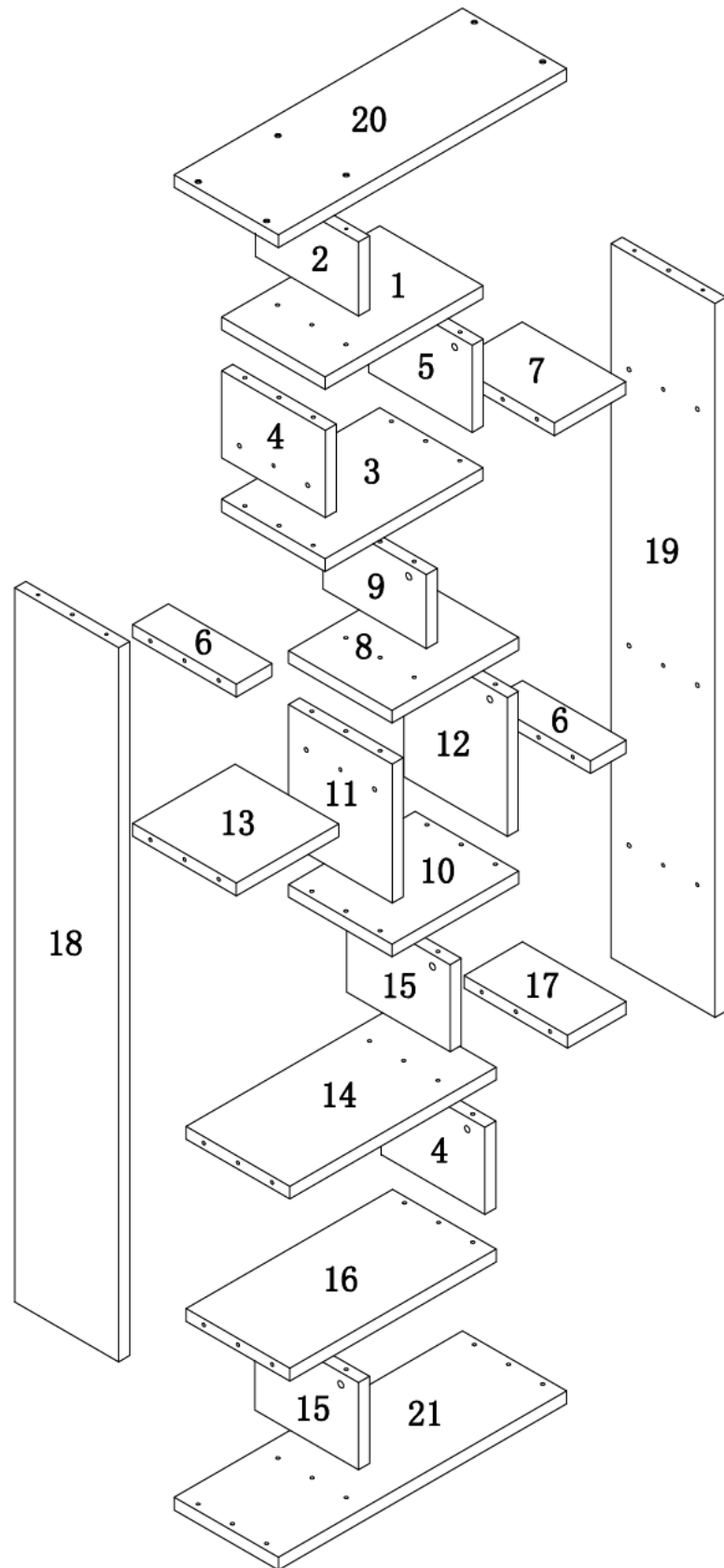
**Tip #1:** Make sure you've taken all the pieces and hardware out of its packaging before discarding the box. Assembly on top of flattened box/blanket is recommended.

**Tip #2:** Using page 2 and/or page 3 of instruction manual make sure all pieces and hardware are accounted for.

**Tip #3:** Note position of all holes on each panel during assembly.




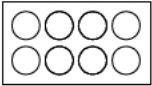



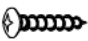
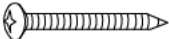
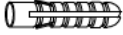



# PARTS IDENTIFICATION



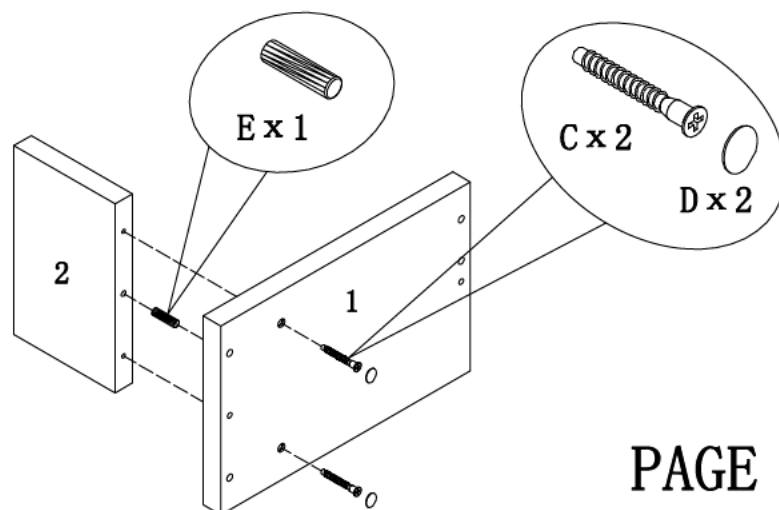
(1)	1pc	(12)	1pc
(2)	1pc	(13)	1pc
(3)	1pc	(14)	1pc
(4)	2pcs	(15)	2pcs
(5)	1pc	(16)	1pc
(6)	2pcs	(17)	1pc
(7)	1pc	(18)	1pc
(8)	1pc	(19)	1pc
(9)	1pc	(20)	1pc
(10)	1pc	(21)	1pc
(11)	1pc		

# HARDWARE IDENTIFICATION

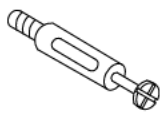

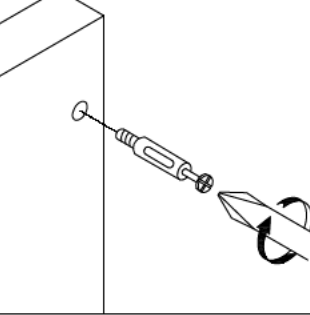
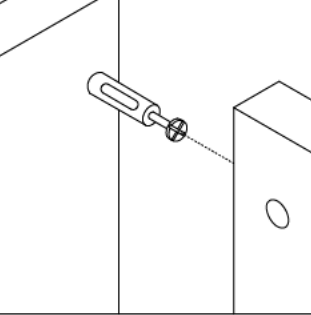
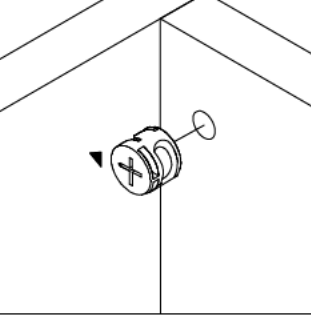
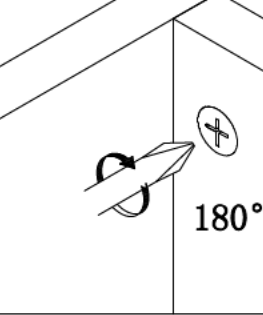
A		L29mm	40pcs
B		□15mm	40pcs
C		□7 x 58mm	28pcs
D		□18mm	68pcs
E		□8 x 25mm	34pcs
F		197×5×1mm	1pc
G		12×12×1mm	2pcs
K		□4 x 25mm	1pc
H		□5 x 40mm	1pc
I		□8 x 40mm	1pc
J		Glue: For securing please apply to wood dowel first before inserting into panel	1pc

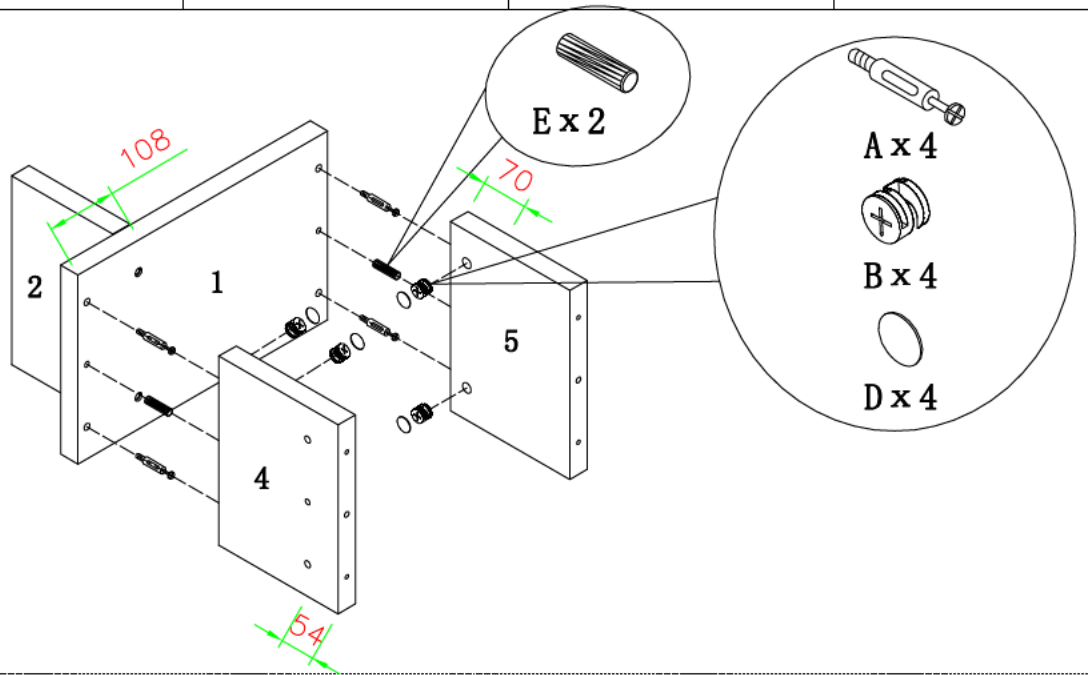
# ASSEMBLY INSTRUCTION

## STEP1

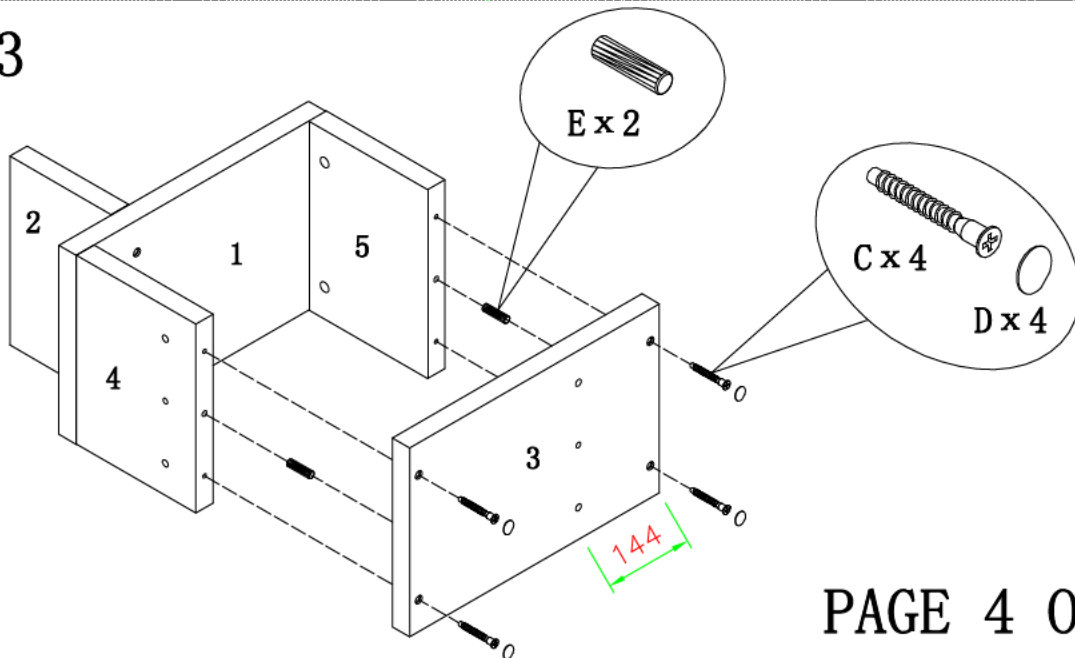


# ASSEMBLY INSTRUCTION

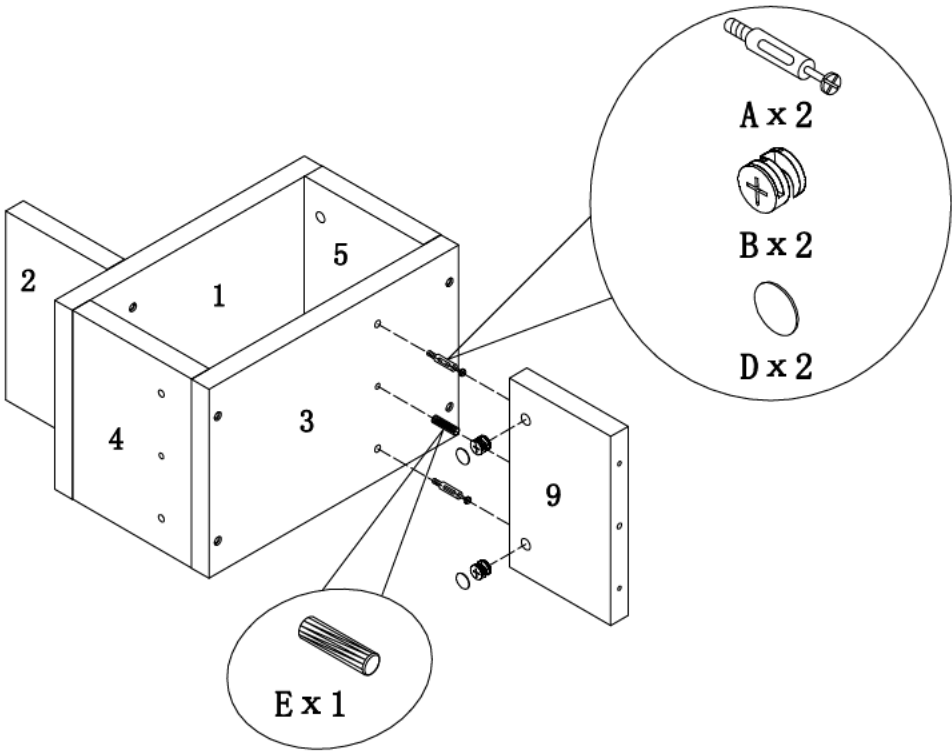
HOW TO	1	2	3	4
 <p>Cam Bolt</p>  <p>Cam Lock</p>	 <p>1. Screw Cam Bolt into panel.</p>	 <p>2. Insert Cam Bolt into bolt hole of joining panel.</p>	 <p>3. Insert Cam Lock. arrow facing bolt.</p>	 <p>4. Gently turn Cam Lock clockwise to lock position.</p>



## STEP 3

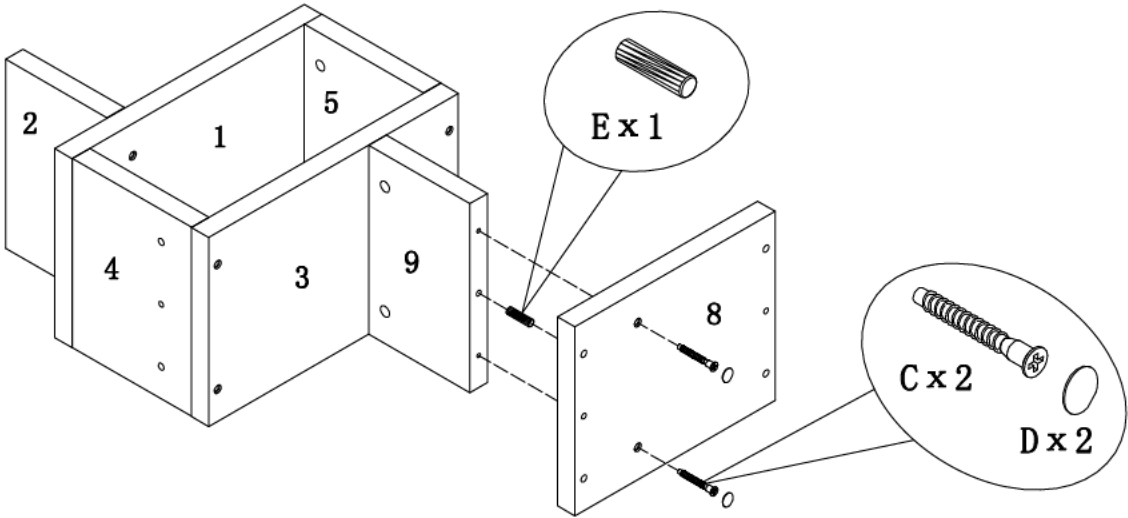


# ASSEMBLY INSTRUCTION

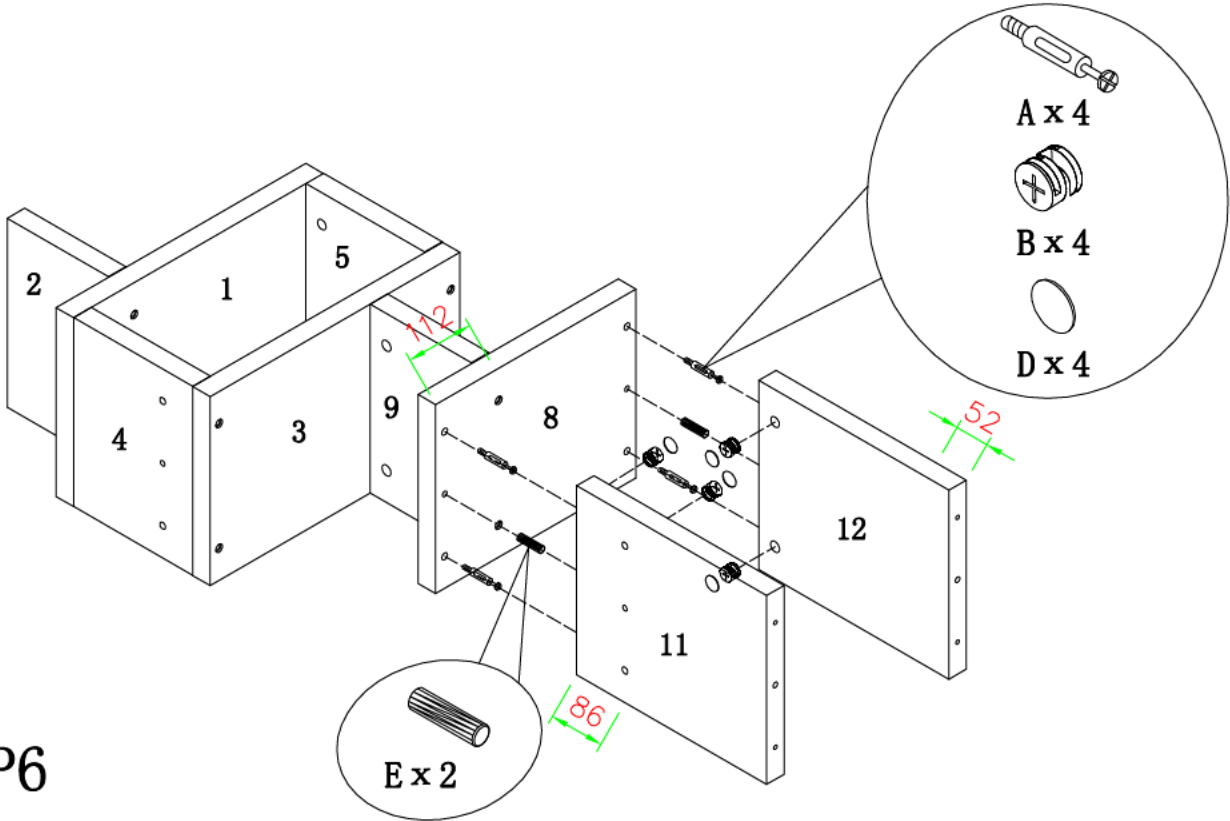


STEP4

STEP5

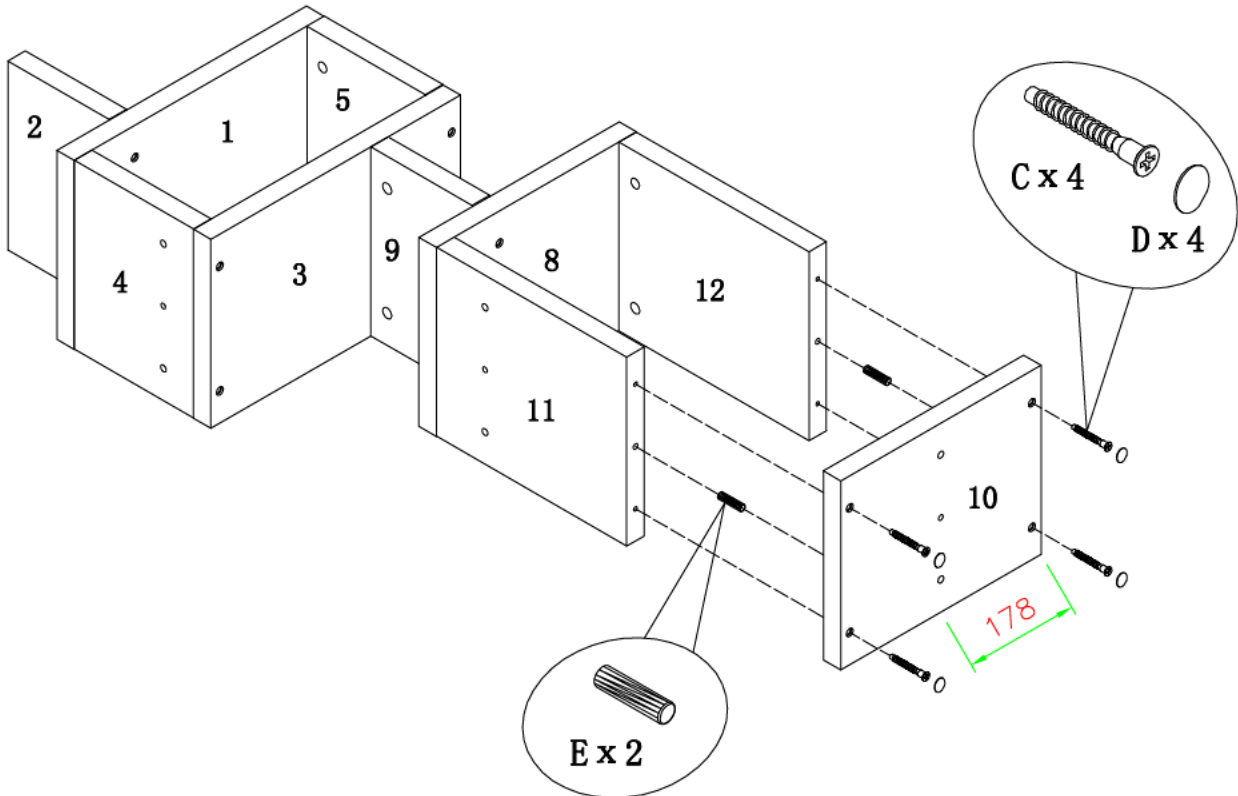


# ASSEMBLY INSTRUCTION

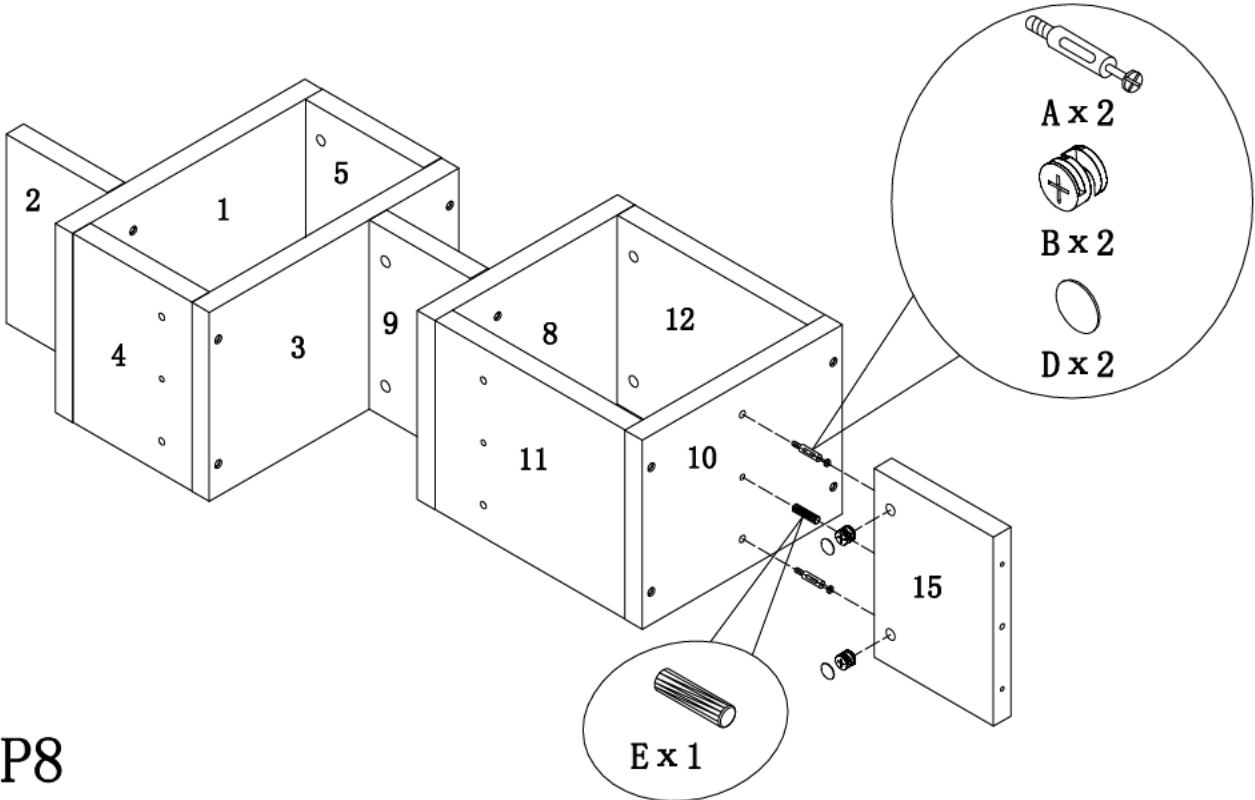


STEP6

STEP7

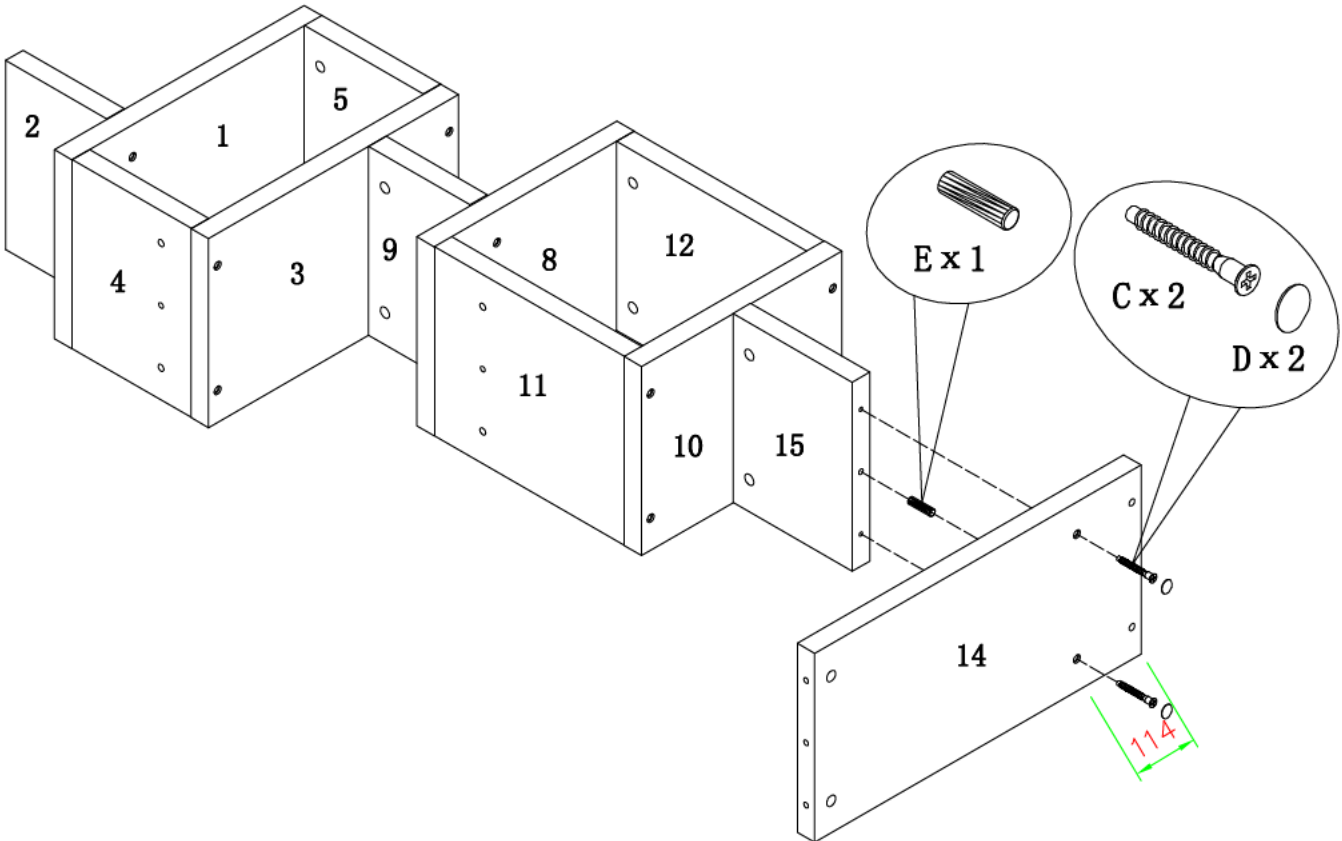


# ASSEMBLY INSTRUCTION

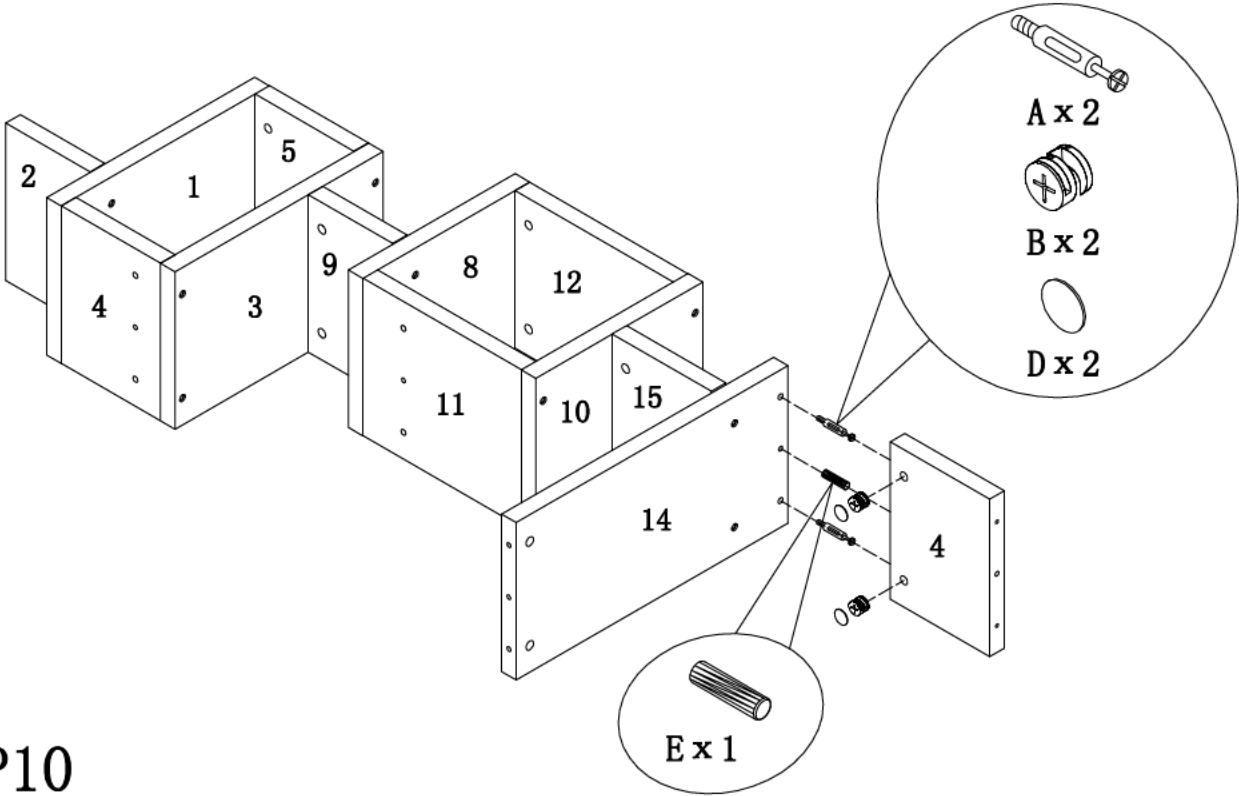


STEP8

STEP9

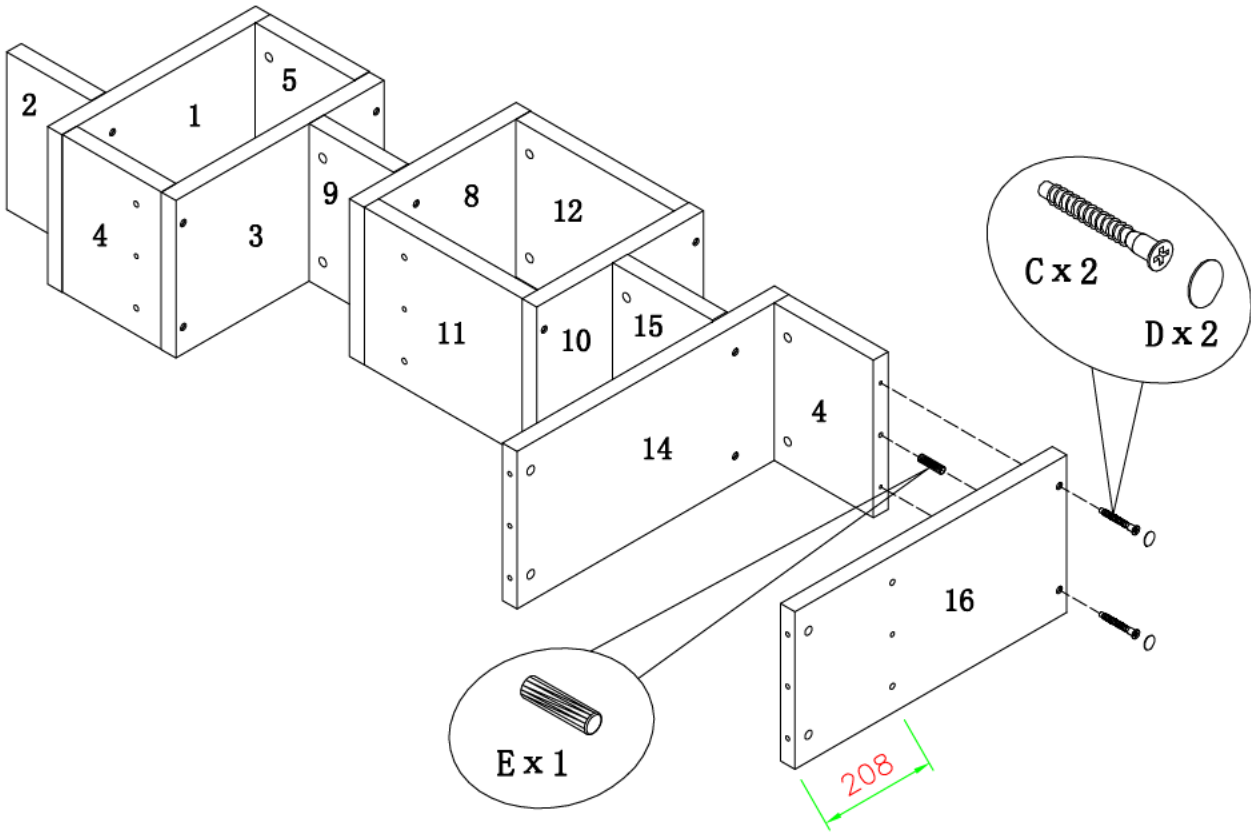


# ASSEMBLY INSTRUCTION

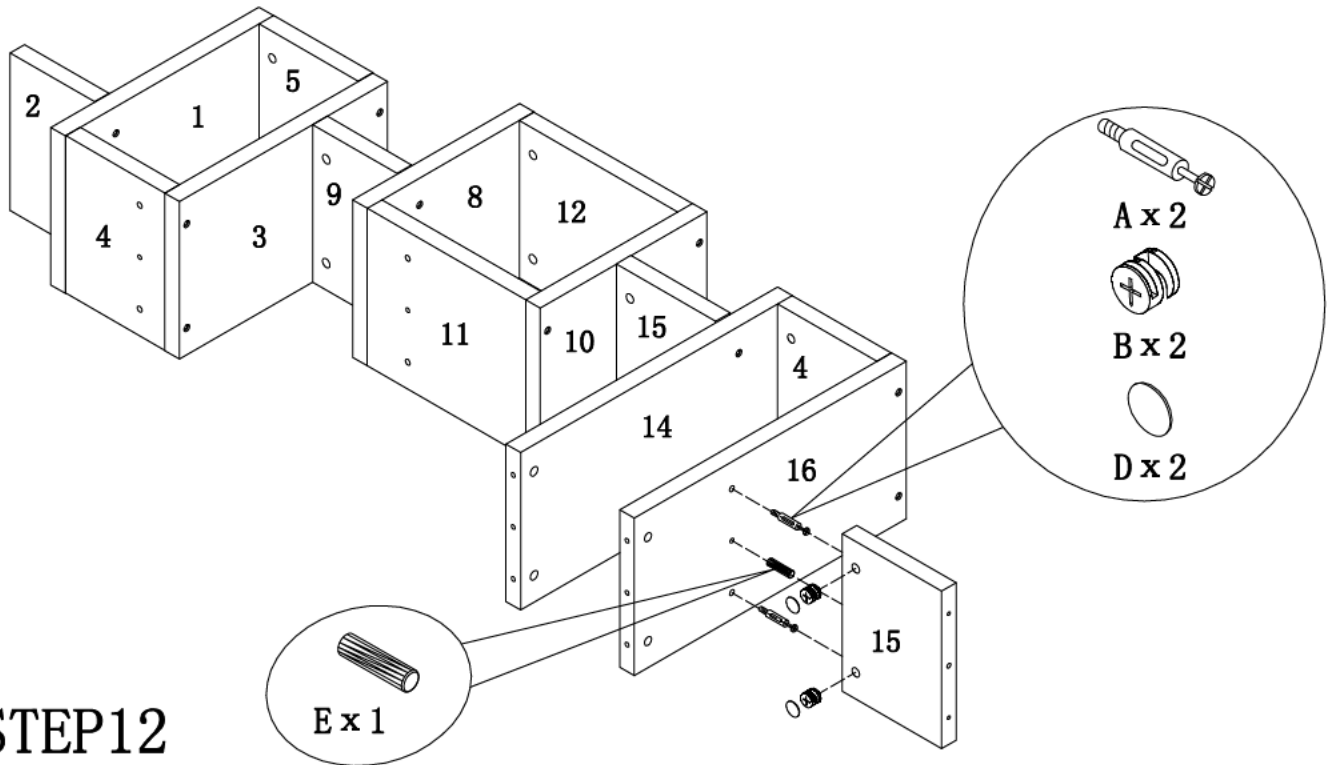


STEP10

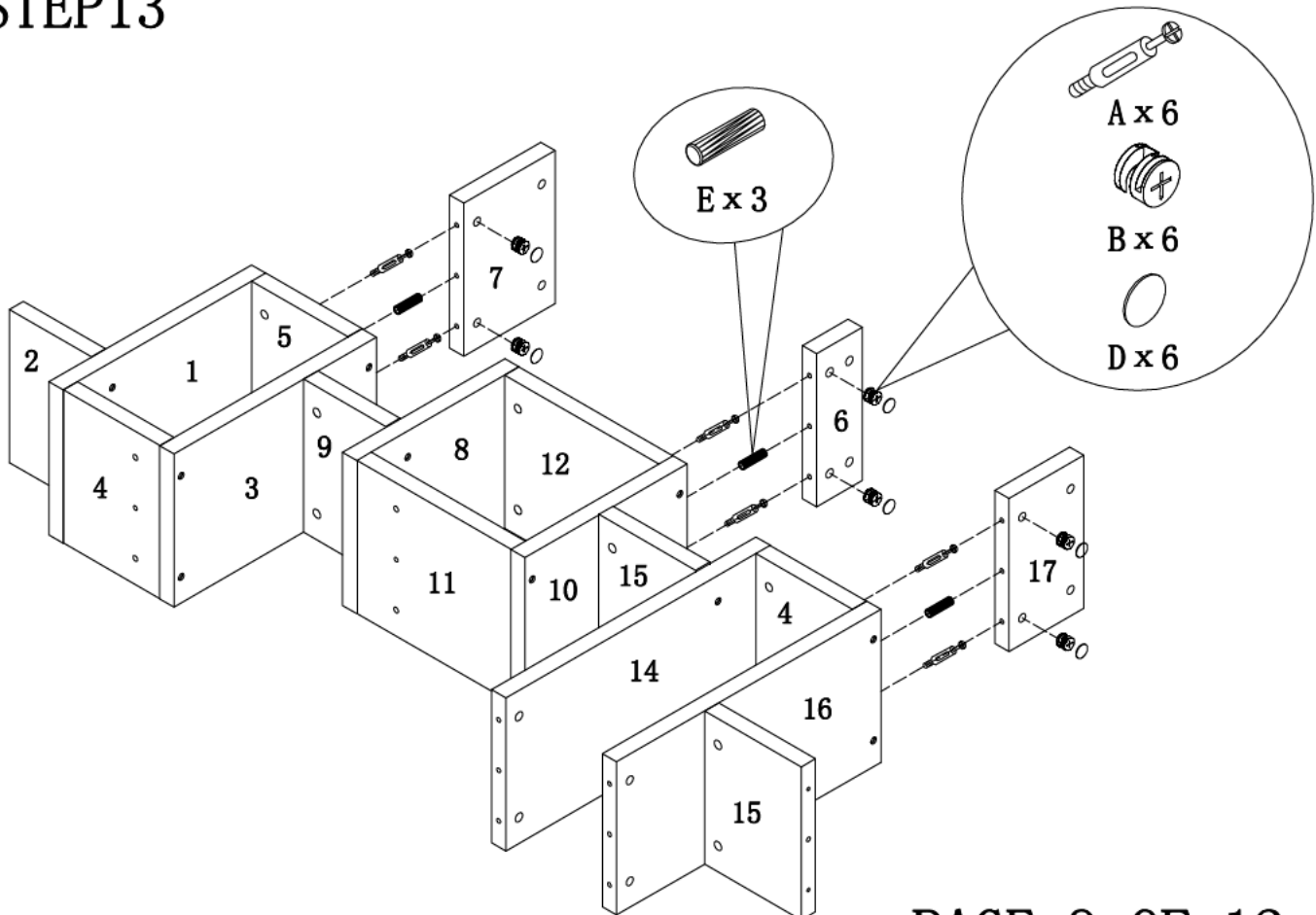
STEP11



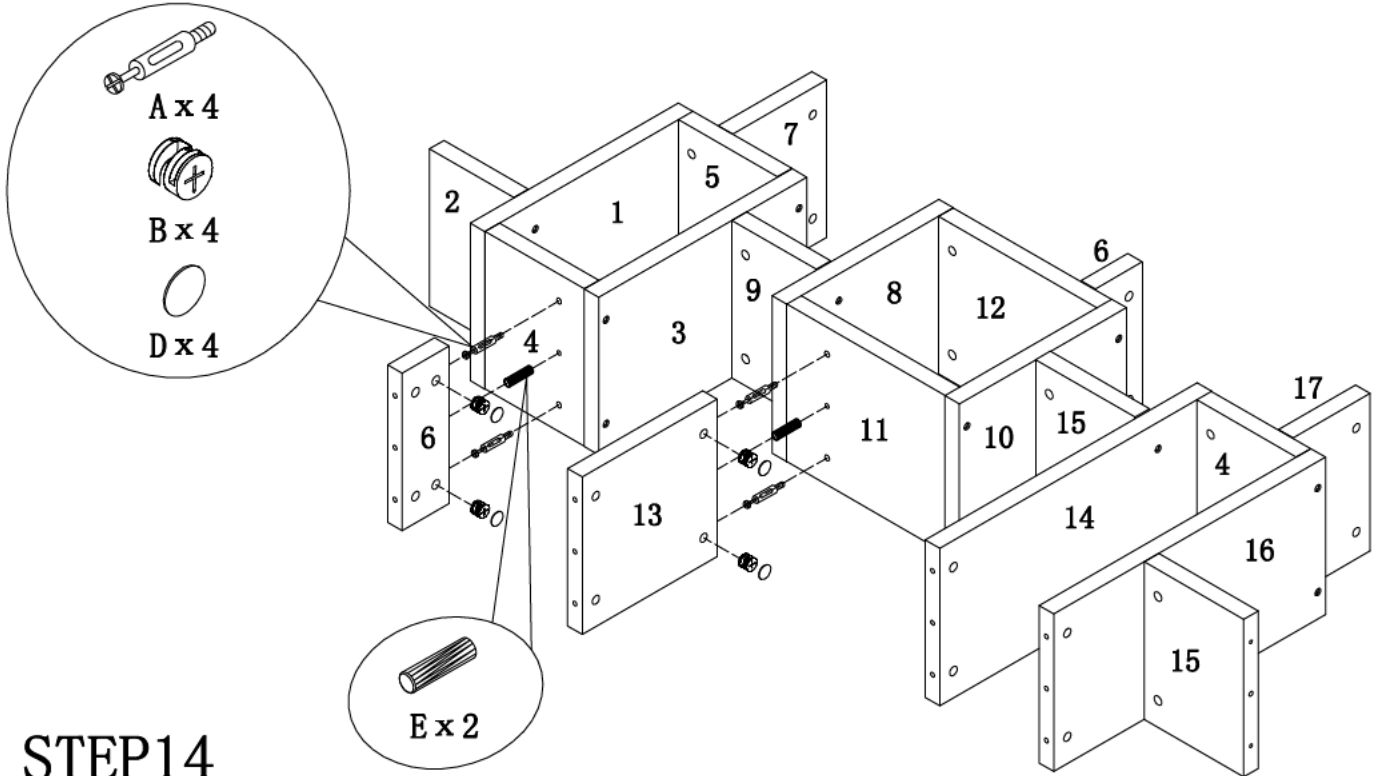
# ASSEMBLY INSTRUCTION



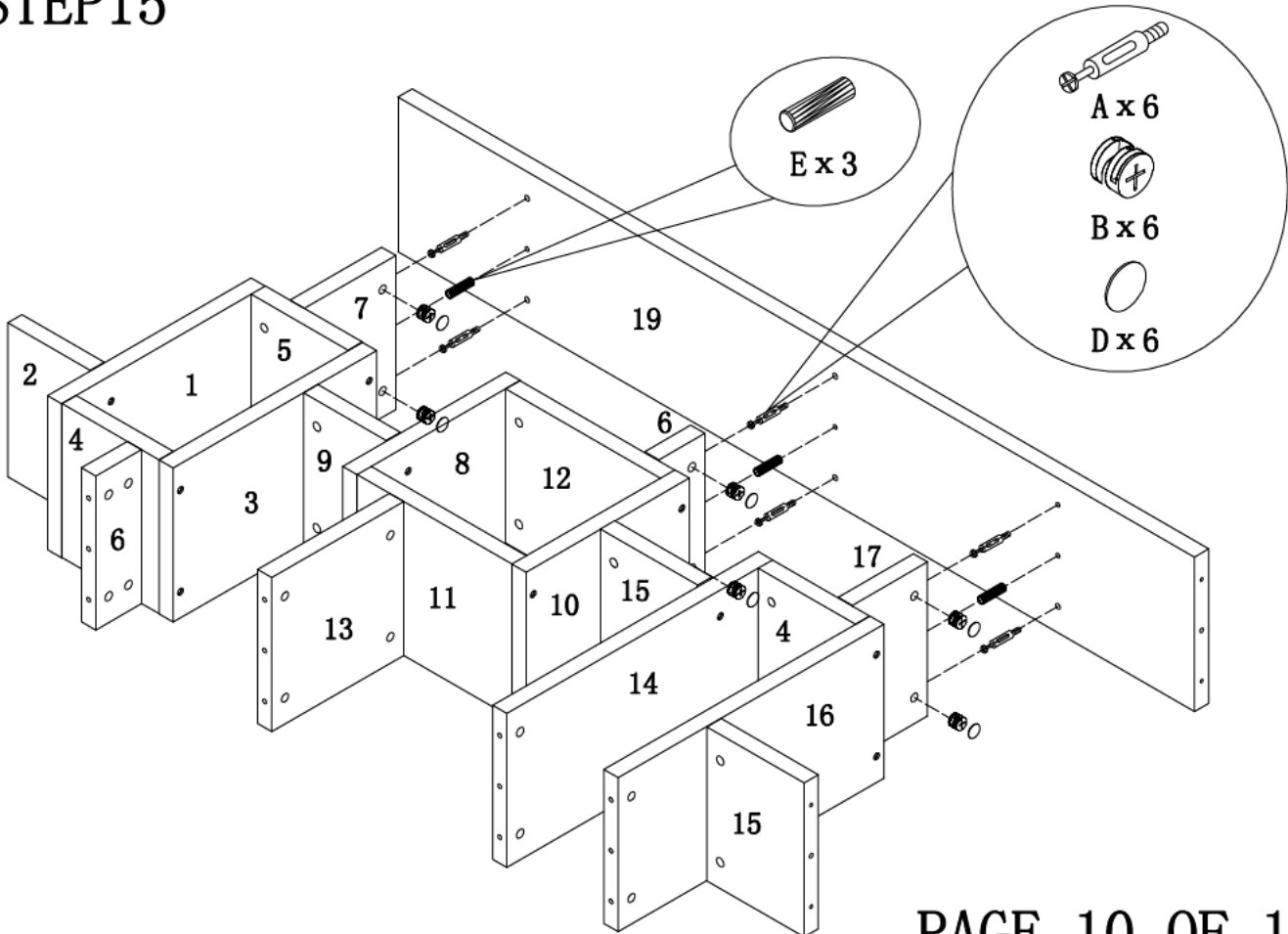
## STEP 13



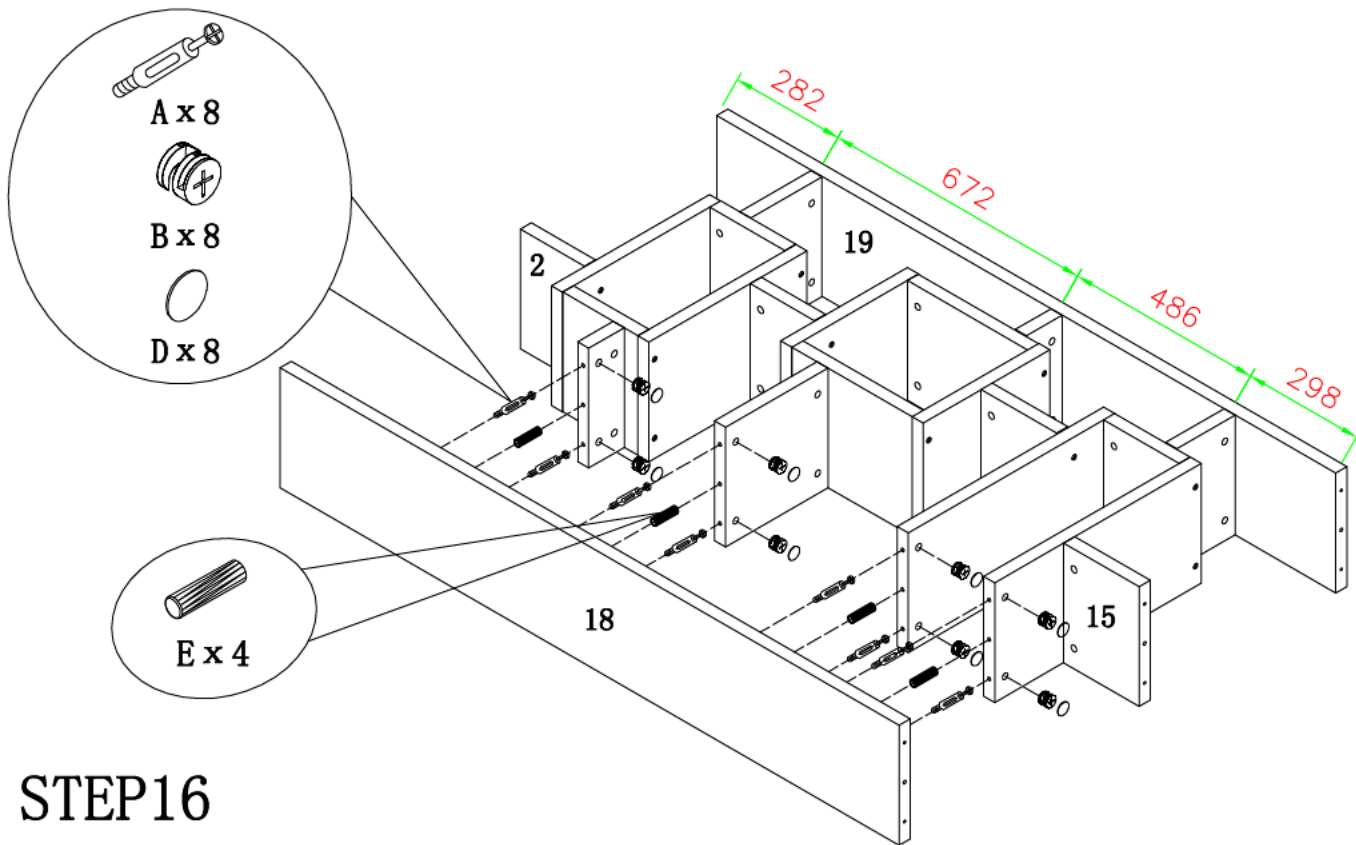
# ASSEMBLY INSTRUCTION



## STEP 15

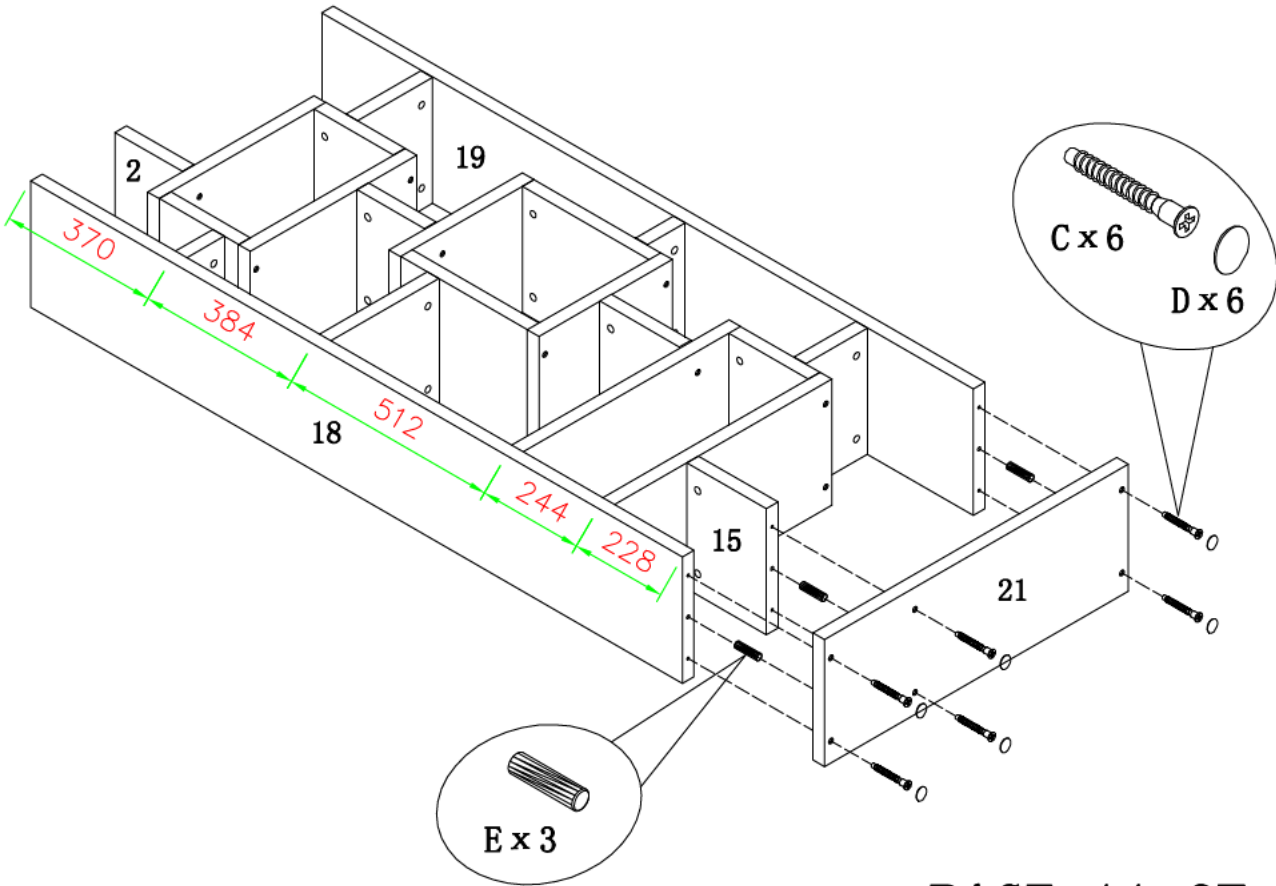


# ASSEMBLY INSTRUCTION

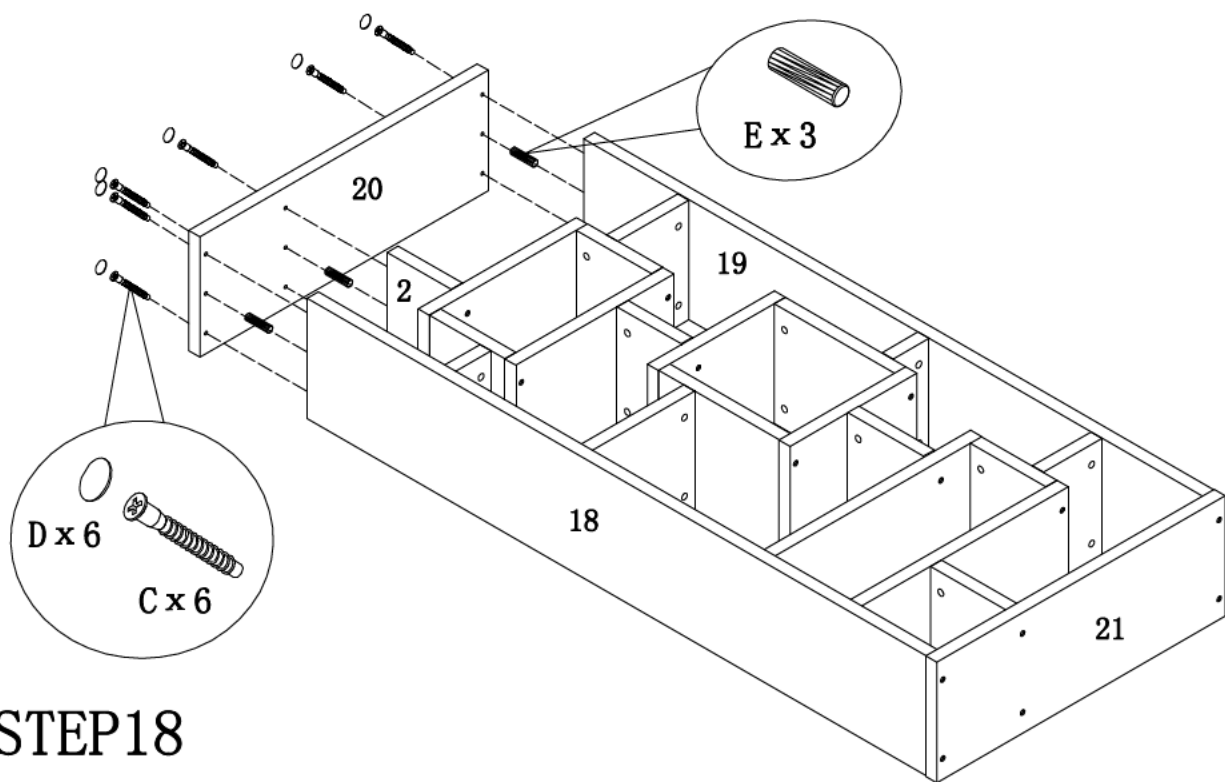


STEP 16

STEP 17

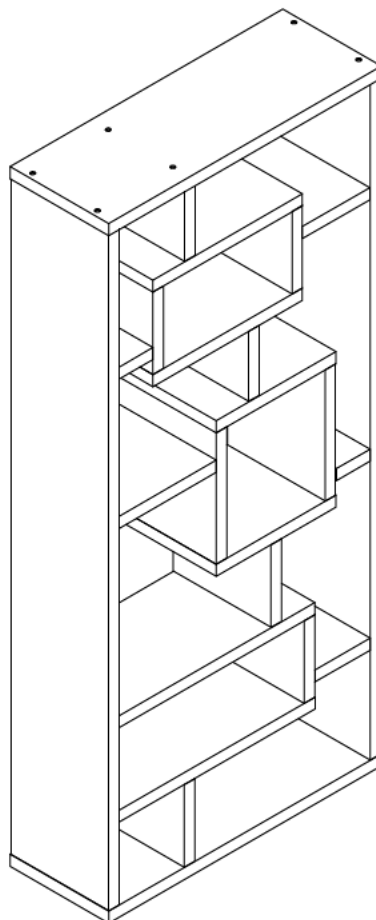


# ASSEMBLY INSTRUCTION



STEP 18

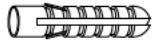
STEP 19



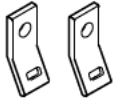
# ANTI-TIPPING STRAP INSTRUCTION

## HARDWARE (INCLUDED) :

## TOOLS NEEDED ( NOT INCLUDE



DRYWALL ANCHOR  $\phi 8 \times 40$  X 1PC



METAL BRACKETS  $12 \times 12 \times 1$  X 2PCS



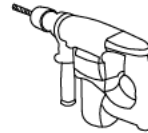
DRYWALL SCREW  $\phi 5 \times 40$  X 1PC



STRAP  $197 \times 5 \times 1$  X 1PC



FLATHEAD SCREW  $\phi 4 \times 25$  X 1PC



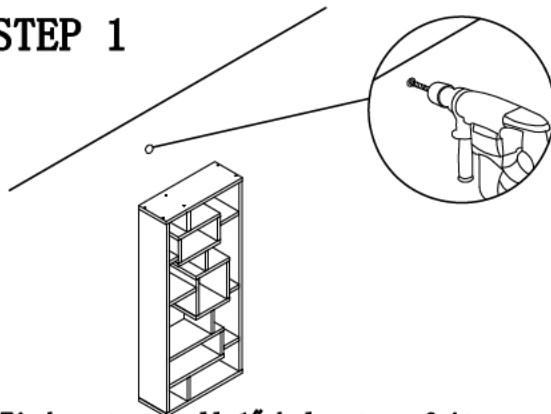
DRILL & DRILL BIT



LIGHT HAMMER

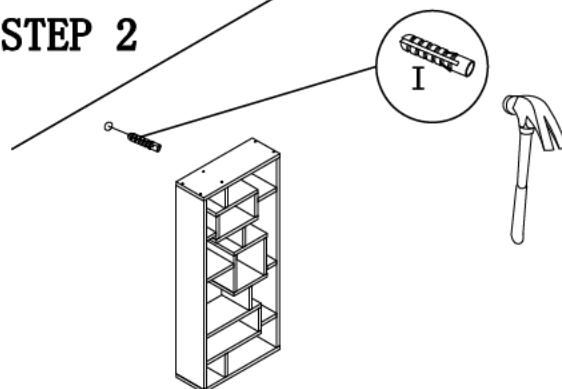
Note: Hardware included only compatible with standard drywalls.

### STEP 1



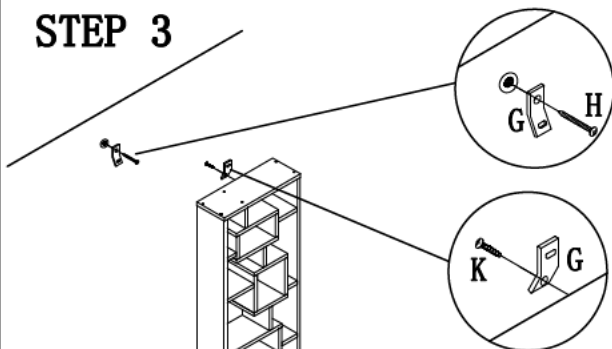
1. Find spot on wall 1" below top of item.
2. Using a drill bit slightly thinner than anchor, drill hole into drywall.

### STEP 2



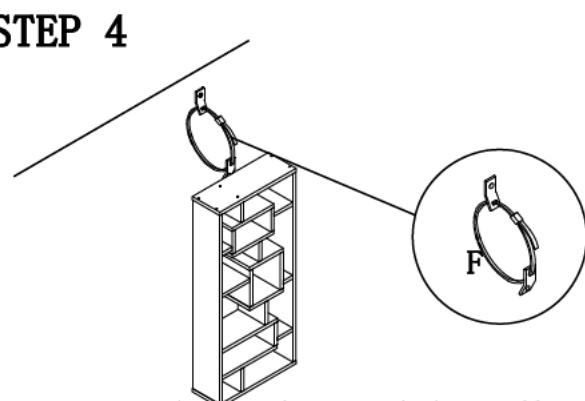
1. Use a light hammer to tap anchor into hole.
2. Anchor should fit snugly. If hole is too small, drill again to increase hole size. Do not force anchor into wall.

### STEP 3



1. Insert drywall screw into metal bracket and into drywall anchor.
2. Insert flathead screw into second metal bracket and into back of item along top edge.

### STEP 4



1. Insert strap thru bracket attached to wall, then thru bracket on item, and into head of strap.
  2. pull lightly til strap stops.
- Assembly is complete.