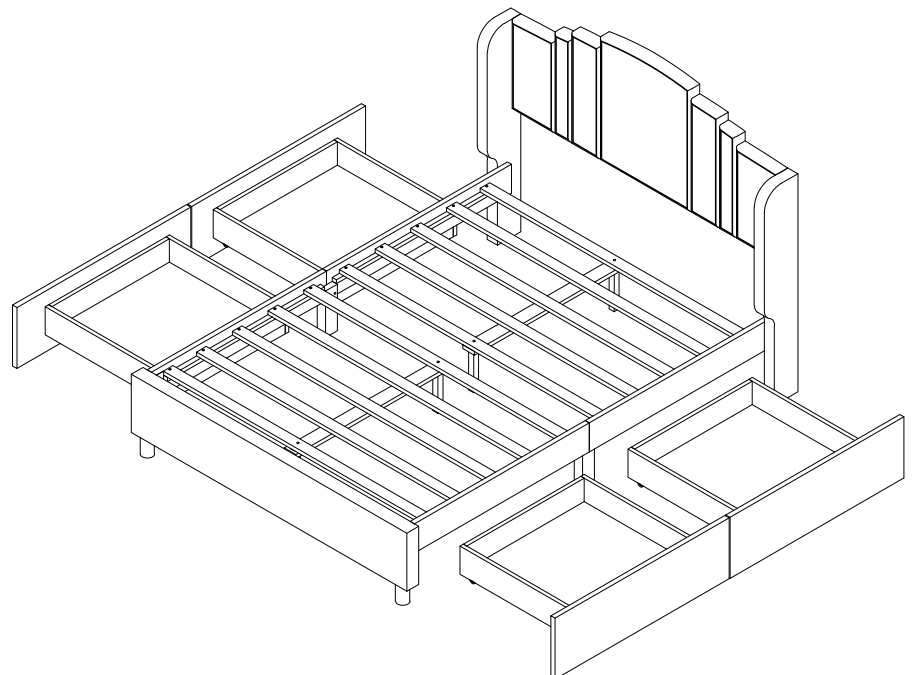
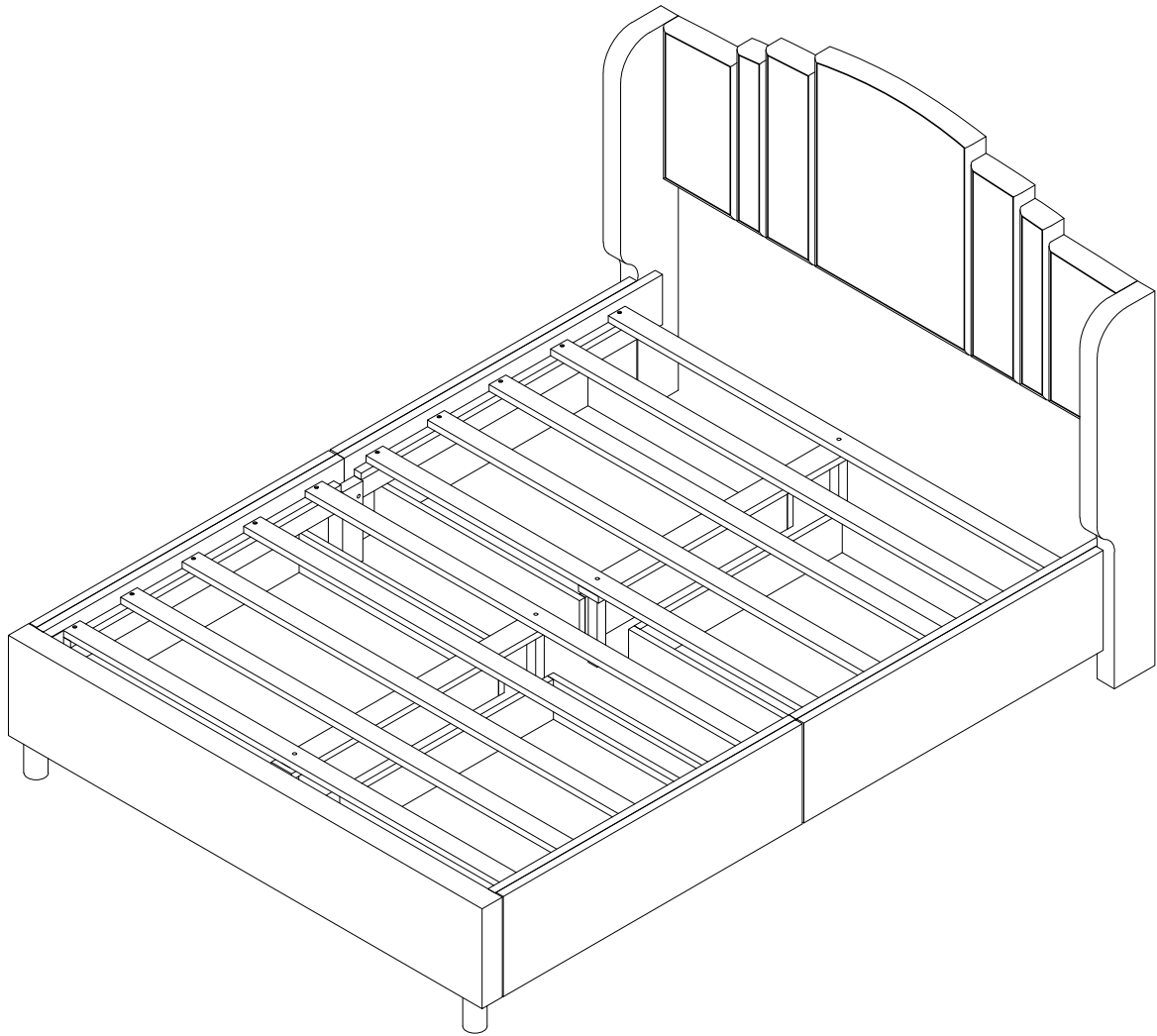
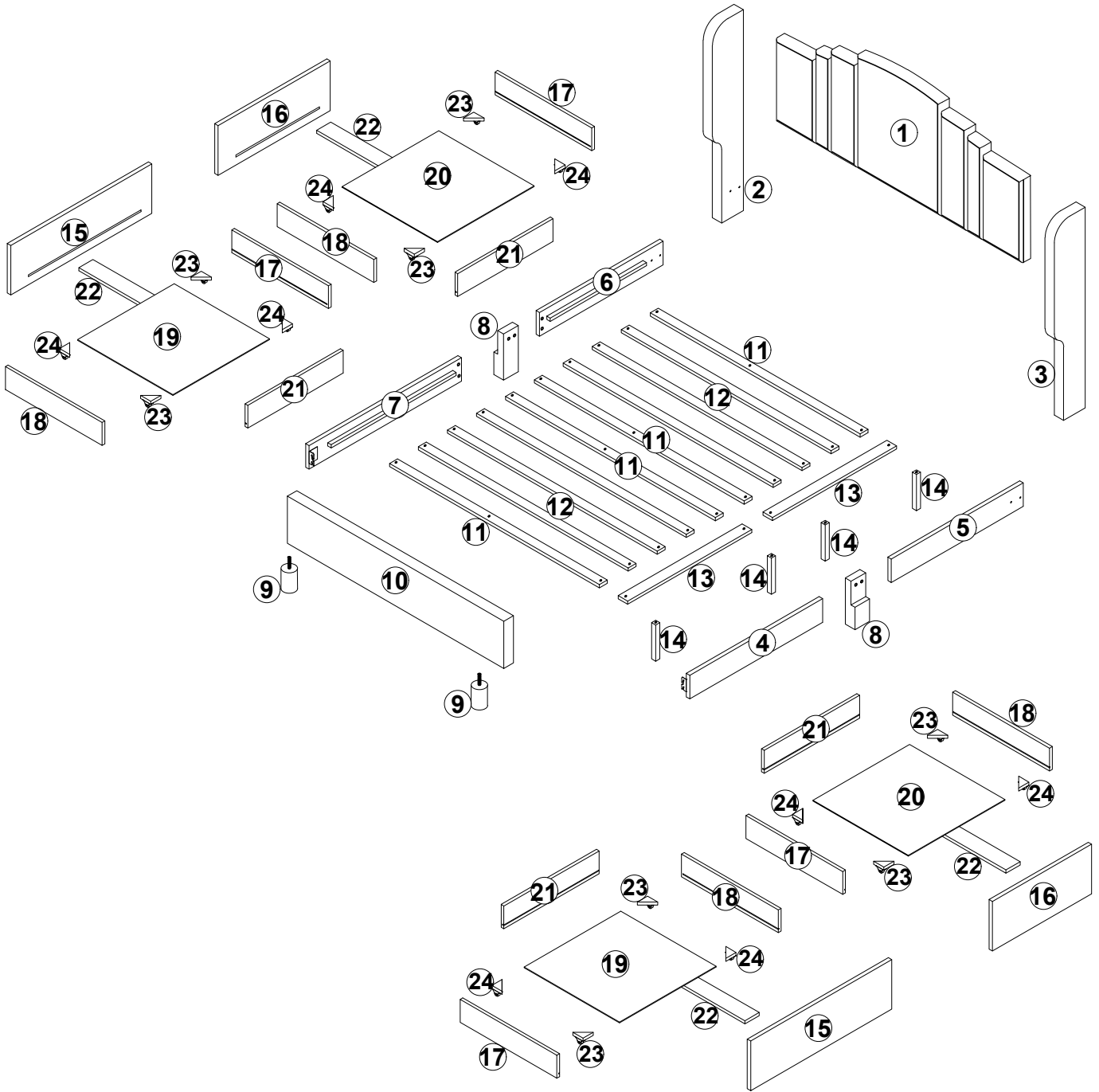


ASSEMBLY INSTRUCTION

SKU CODE: WF298359 / WF298360

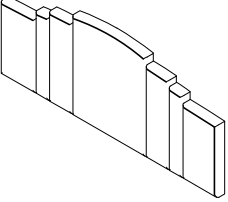
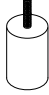
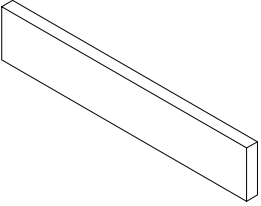
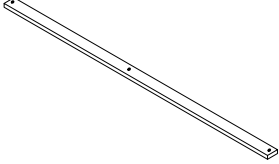
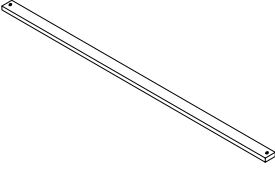
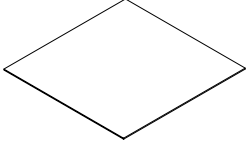
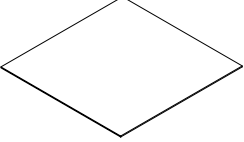
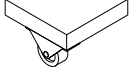
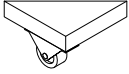


Detail View - QUEEN BED WITH 4 DRAWERS

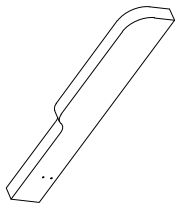
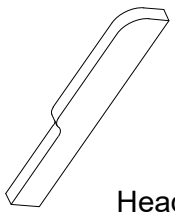
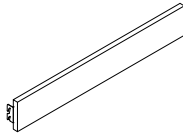
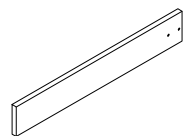
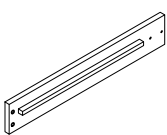
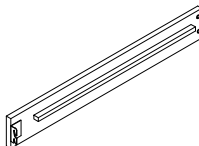
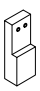
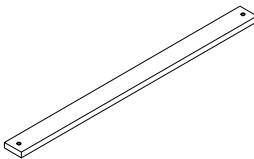

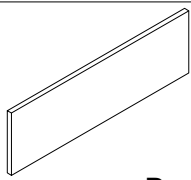
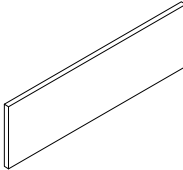
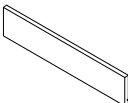
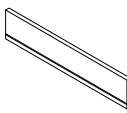
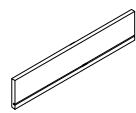
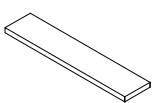


Identifying the Hardware - Identify the hardware using the illustrations below.


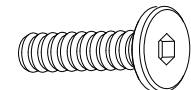
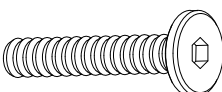



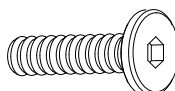
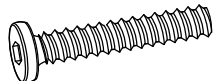
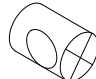


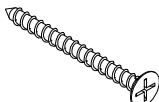
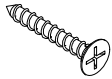

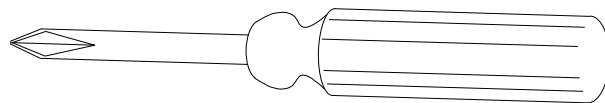
Part Lists: **WF298359**

<p>1</p>  <p>Headboard-1pc</p>	<p>9</p>  <p>Footboard leg -2pcs</p>
<p>10</p>  <p>Footboard - 1pc</p>	<p>11</p>  <p>Bed slat 1 - 4pcs</p>
<p>12</p>  <p>Bed slat 2 -6pcs</p>	<p>19</p>  <p>Left drawer bottom -2pcs</p>
<p>20</p>  <p>Right drawer bottom -2pcs</p>	<p>23</p>  <p>Corner block 1 - 8pcs</p>
<p>24</p>  <p>Corner block 2 - 8pcs</p>	

Part Lists: **WF298360**

<p>2</p>  <p>Headboard left leg -1pc</p>	<p>3</p>  <p>Headboard right leg-1pc</p>
<p>4</p>  <p>Side rail 1 - 1pc</p>	<p>5</p>  <p>Side rail 2 - 1pc</p>
<p>6</p>  <p>Side rail 3 - 1pc</p>	<p>7</p>  <p>Side rail 4 - 1pc</p>
<p>8</p>  <p>Side rail support leg - 2pcs</p>	<p>13</p>  <p>Center support bar -2pcs</p>
<p>14</p>  <p>Center support leg - 4pcs</p>	<p>15</p>  <p>Drawer Front -Right-2pcs</p>
<p>16</p>  <p>Drawer Front-Left -2pcs</p>	<p>17</p>  <p>Drawer side left -4pcs</p>
<p>18</p>  <p>Drawer side right -4pcs</p>	<p>21</p>  <p>Drawer back -4pcs</p>
<p>22</p>  <p>Drawer bottom support bar -4pcs</p>	

HARDWARE LISTS: WF298359

A  4mm Allen key (1pc)	B  Ø5/16" x 20mm Hex-head bolt (4pcs)
C  Ø5/16" x 40mm Hex-head bolt (8pcs)	D  Ø5/16" Spring washer (12pcs)
E  Ø5/16" Flat washer(12pcs)	F  Ø1/4" x 45mm Hex-head bolt (4pcs)
G  Ø1/4" x 30mm Hex-head bolt (4pcs)	H  Ø1/4" x 50mm Hex-head bolt (16pcs)
I  Ø1/4" Barrel nut (16pcs)	J  Ø1/4" Spring washer (24pcs)
K  Ø1/4" Flat washer(24pcs)	L  Ø4 x 30mm Wood screw (68pcs)
M  Ø4 x 15mm Short Wood screw (16pcs)	N  L bracket(8pcs)
 ASSEMBLY TOOLS REQUIRED (NOT INCLUDED)	



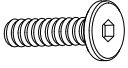
Read this instruction carefully. See hardware and furniture part list for guidance. Be sure all parts are complete, before you assemble. Place all wooden furniture parts on a clean and flat soft surface to prevent from being scratched. Follow the figure to start assembling.

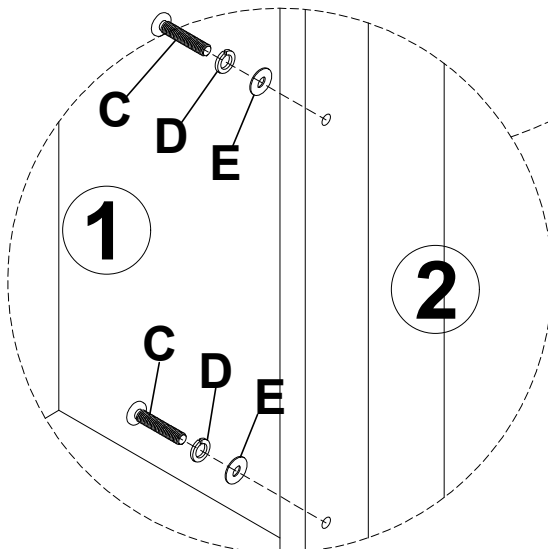
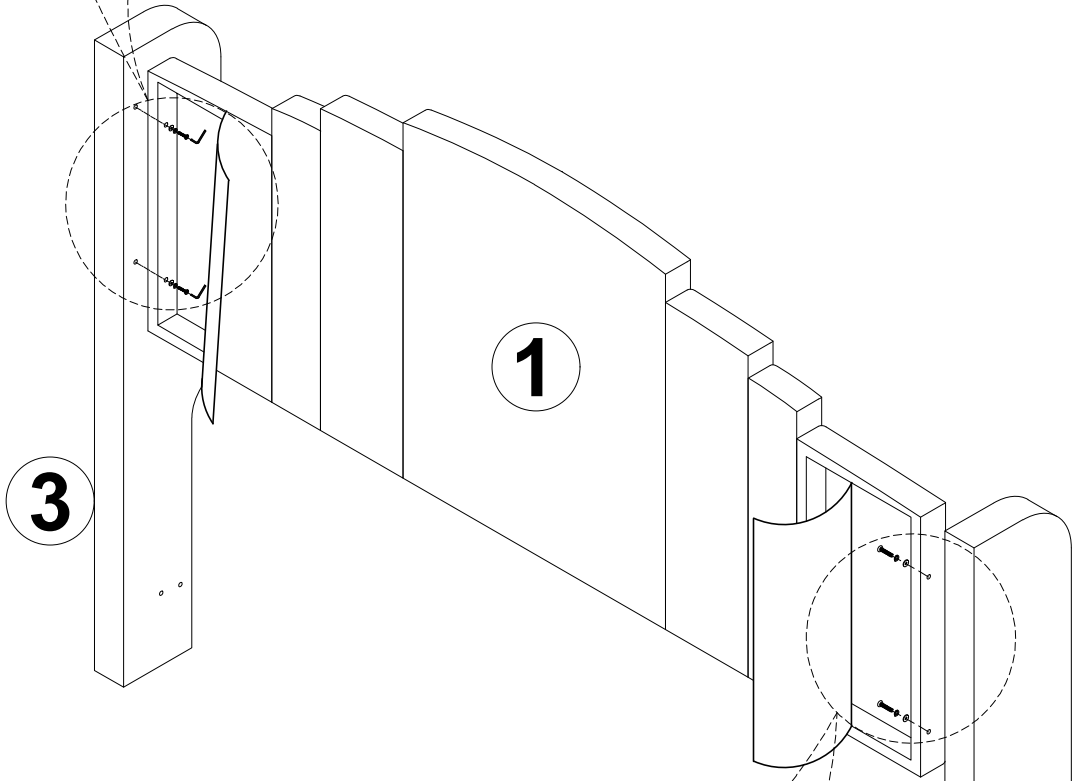
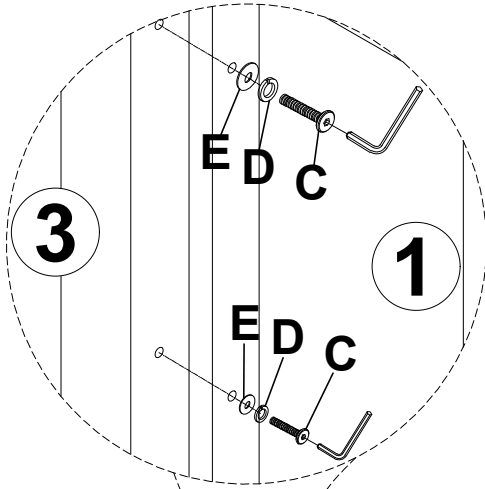
CAUTIONS :

1. Do not FULLY - TIGHTEN the nut or nut bolt until all nut or bolt is ready assembled.
2. Do not OVER - TIGHTEN the nut or bolt to avoid causing damages to the thread.
3. Keep all hardware parts out of reach of children.

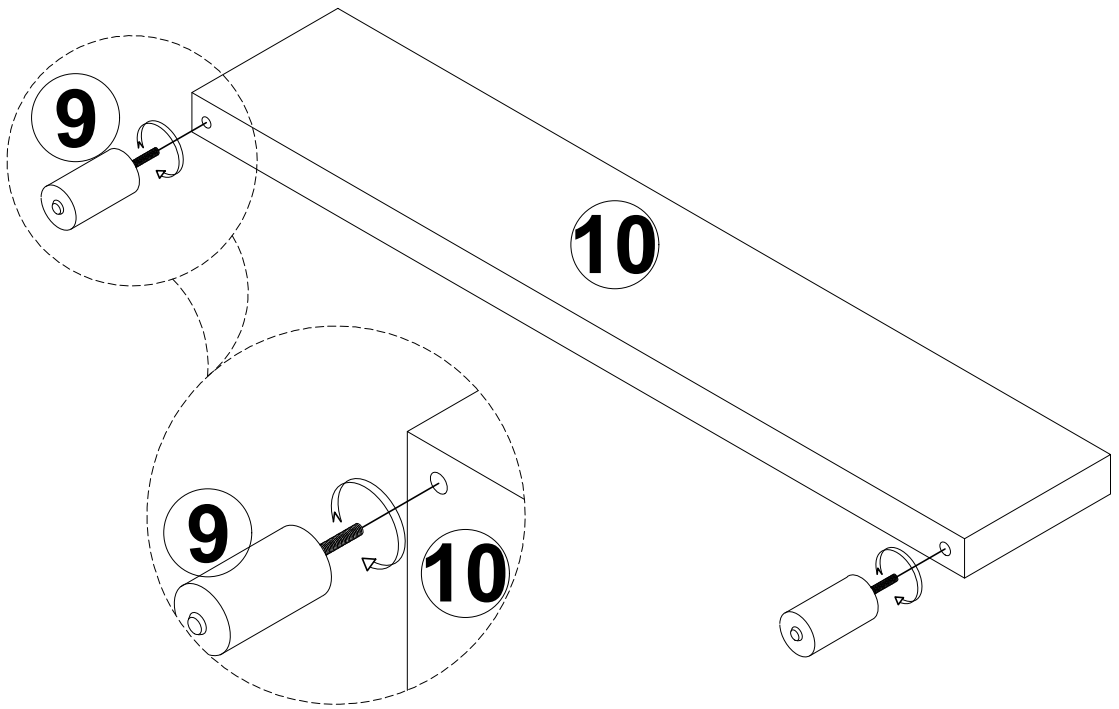
NOTE : THE LIST AND QUANTITY SHOWN ARE FOR 1 UNIT ASSEMBLY.

STEP 1



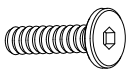
E 	D 	C 
4PCS	4PCS	4PCS

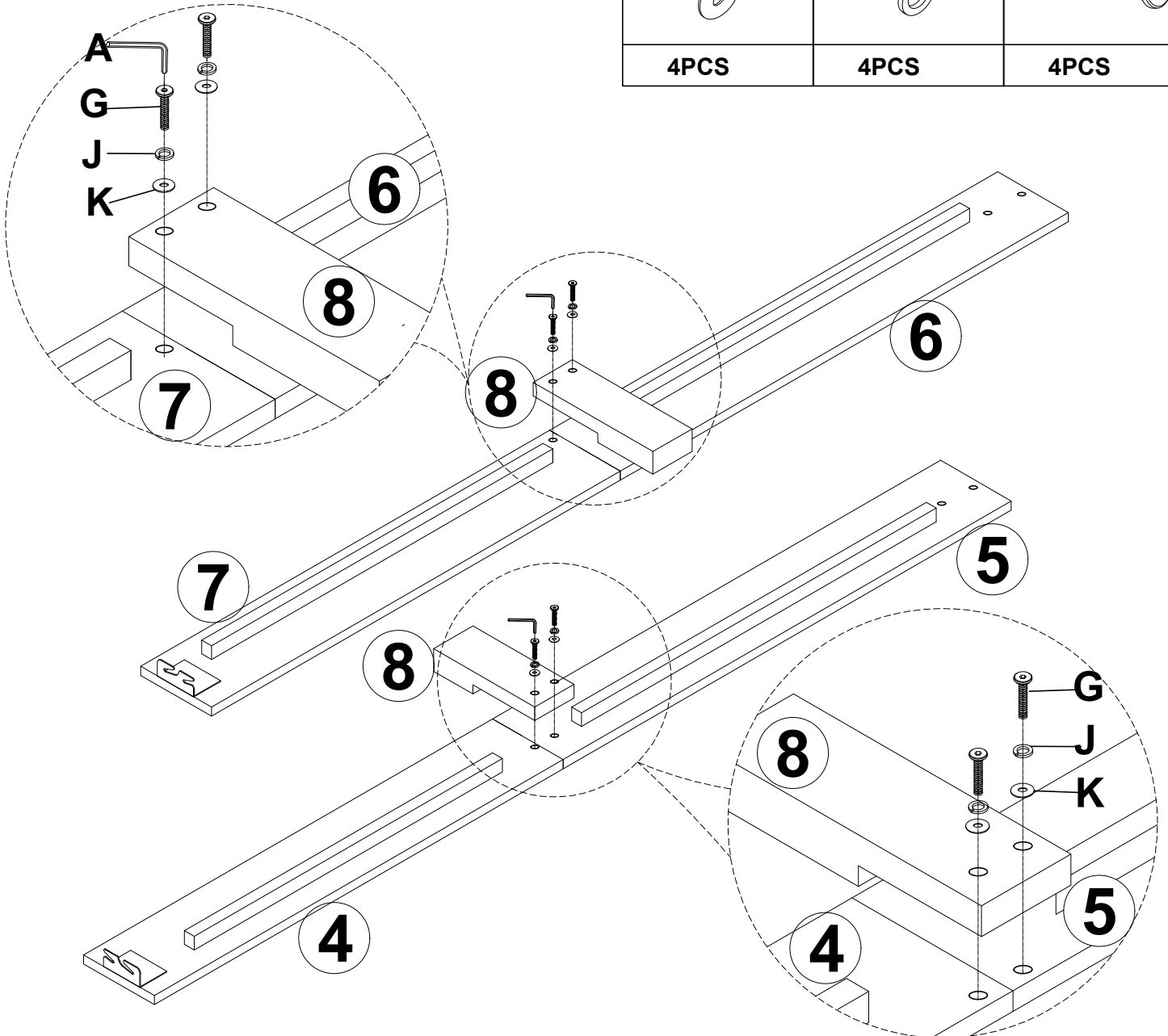


STEP 2

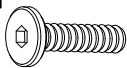


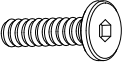


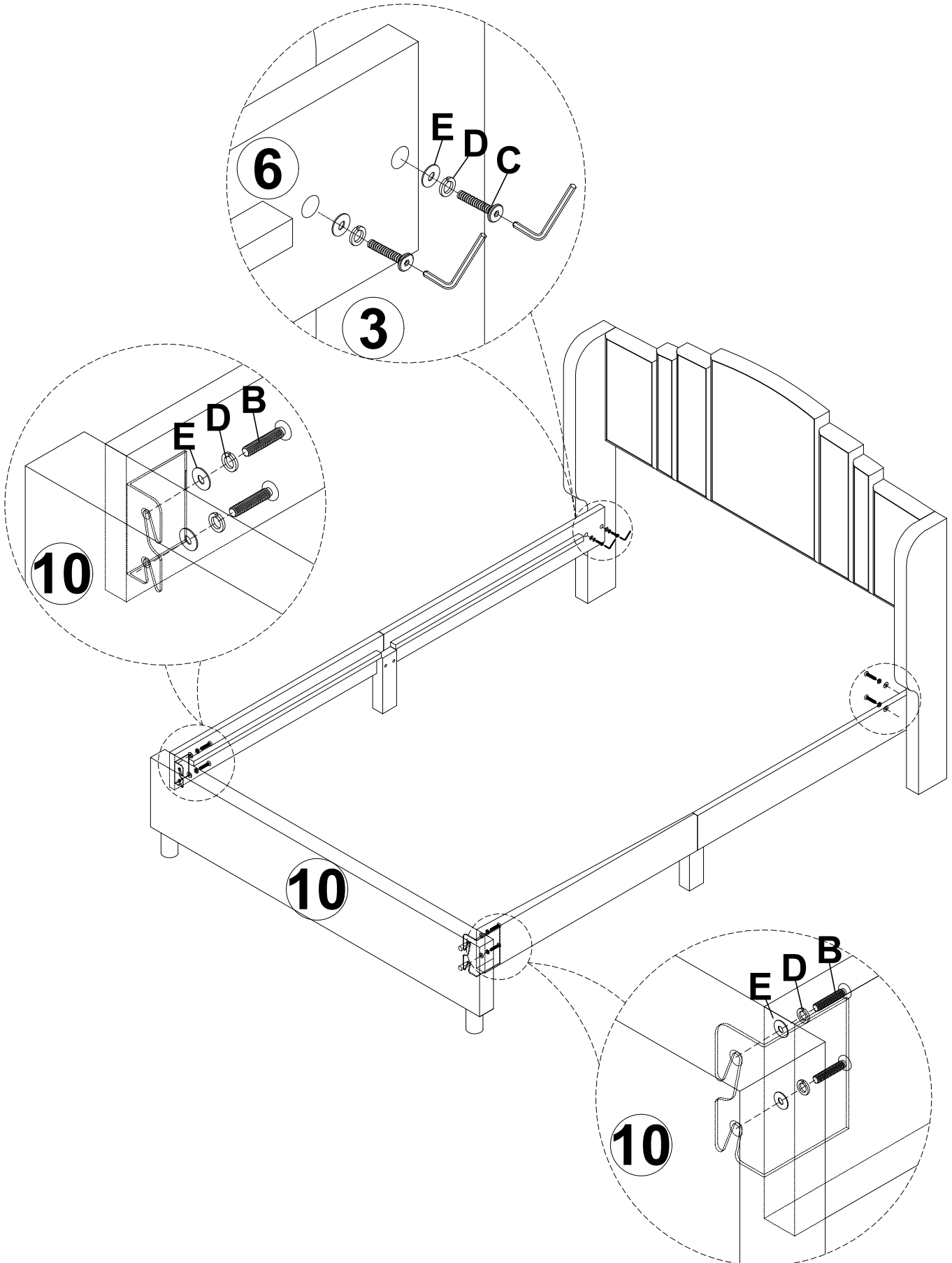
STEP 3

K		J		G	
4PCS		4PCS		4PCS	



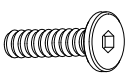


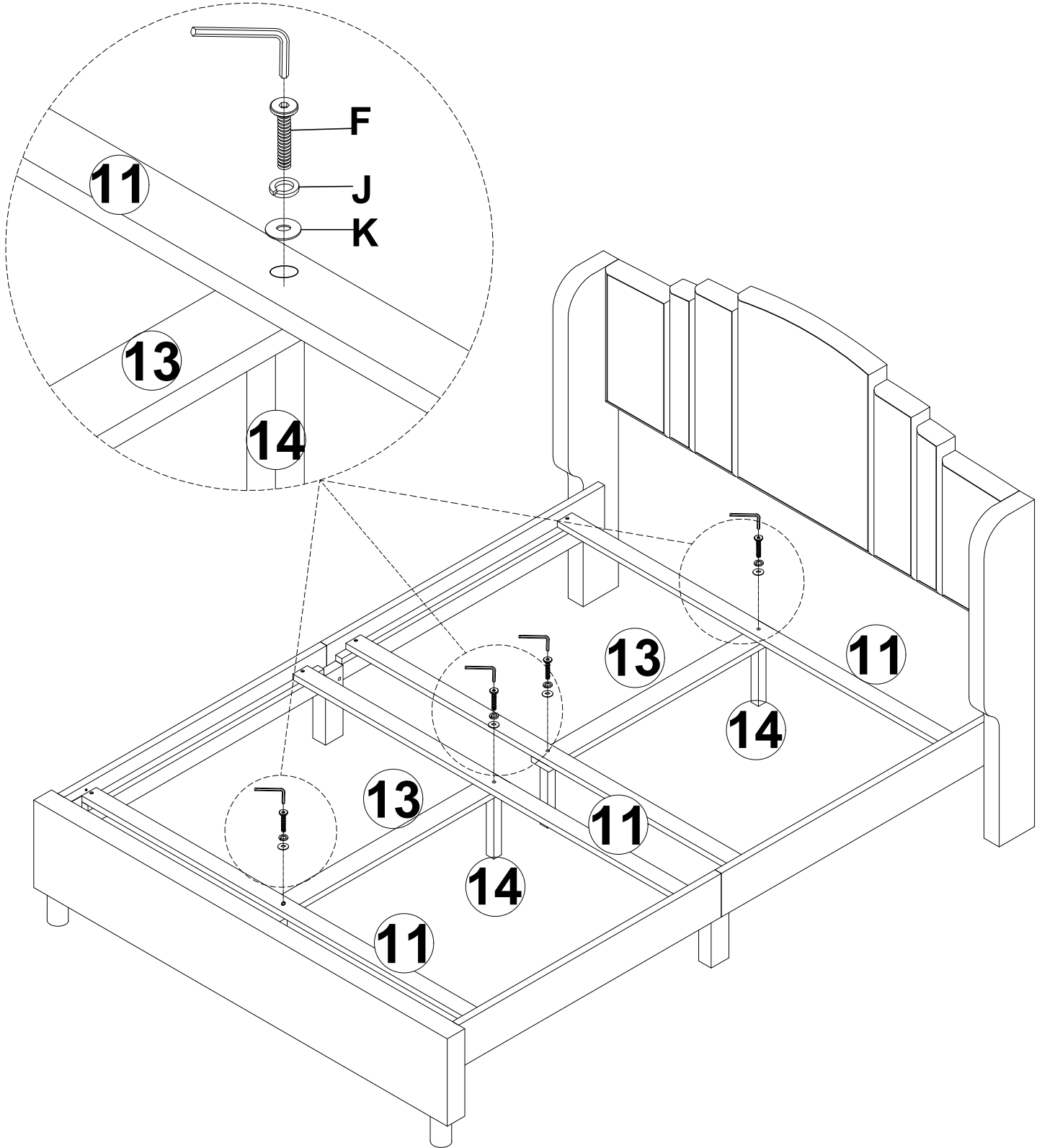
STEP 4

C 	E 	D 	B 
4PCS	8PCS	8PCS	4PCS

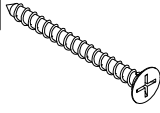


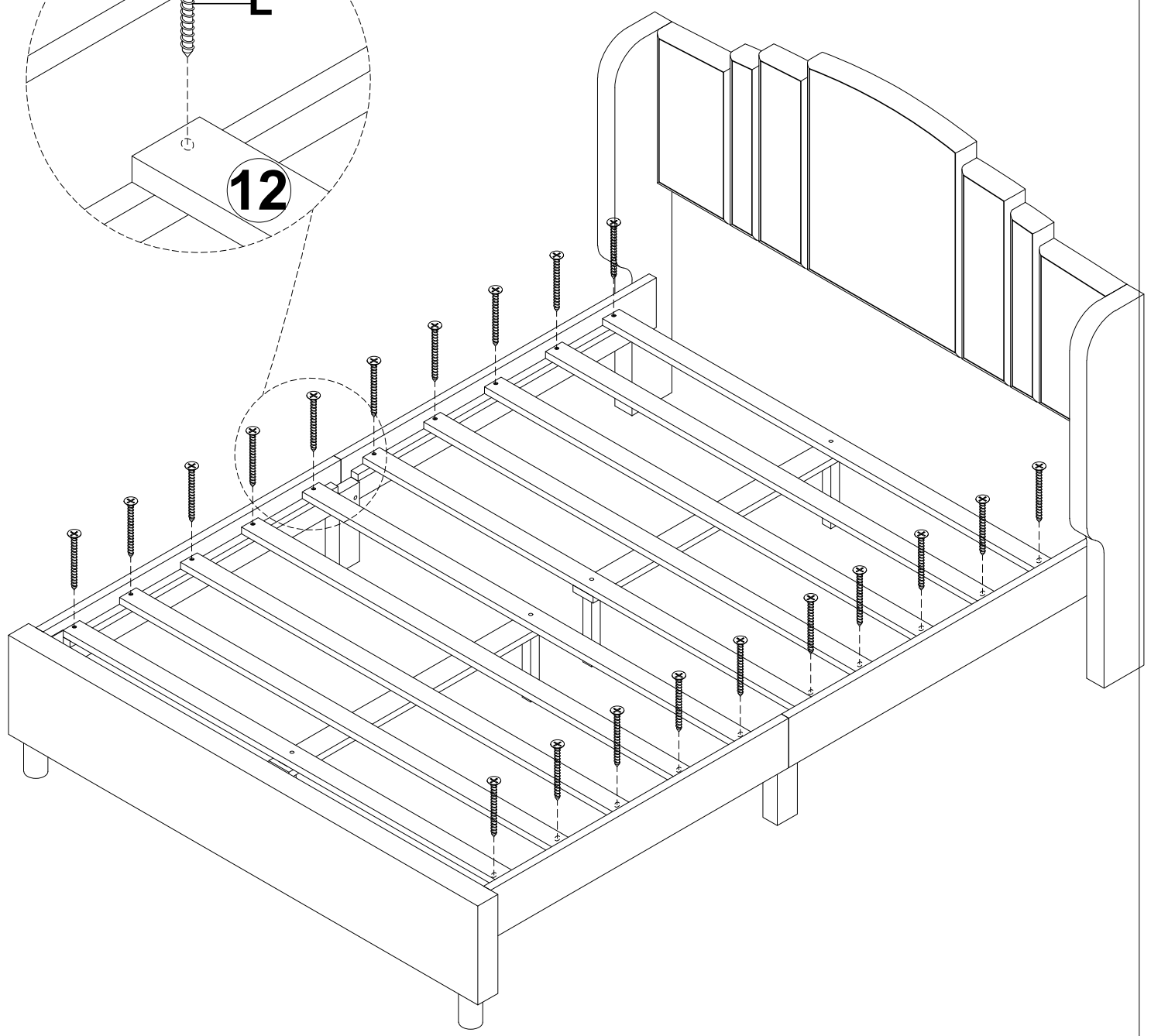
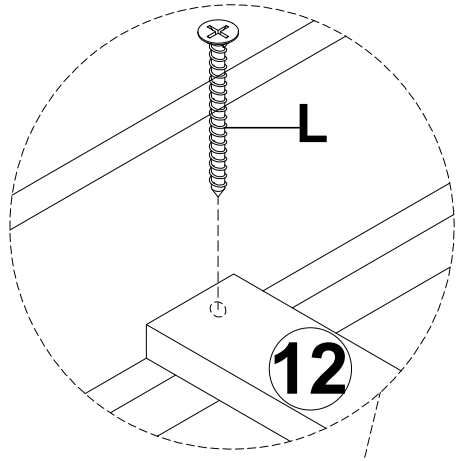
STEP 5

K 	J 	F 
4PCS	4PCS	4PCS

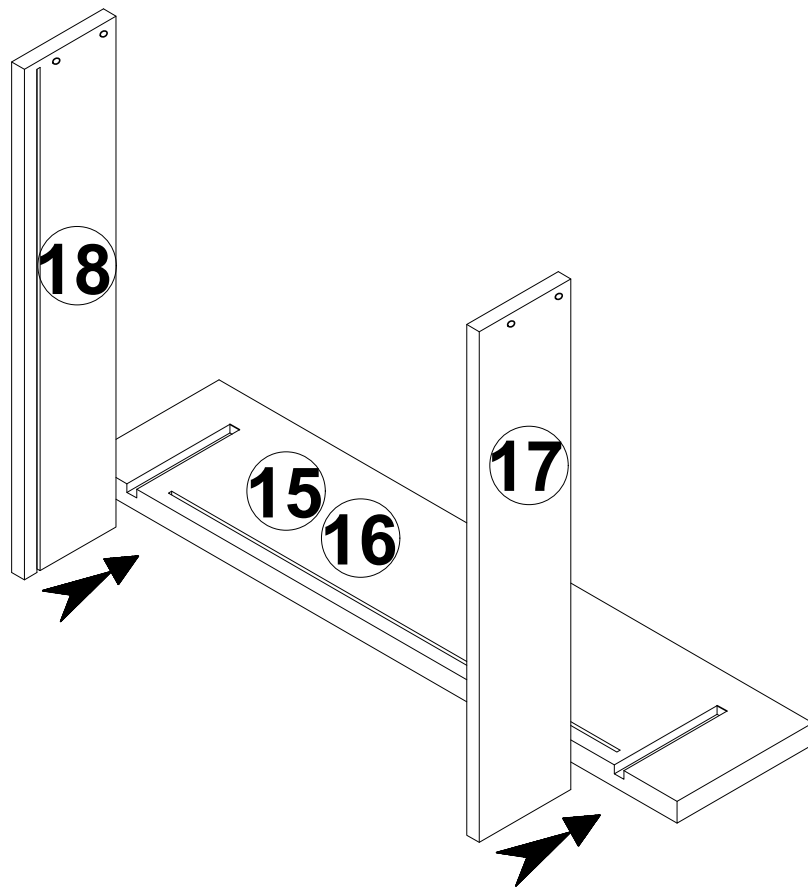


STEP 6

L	
20PCS	

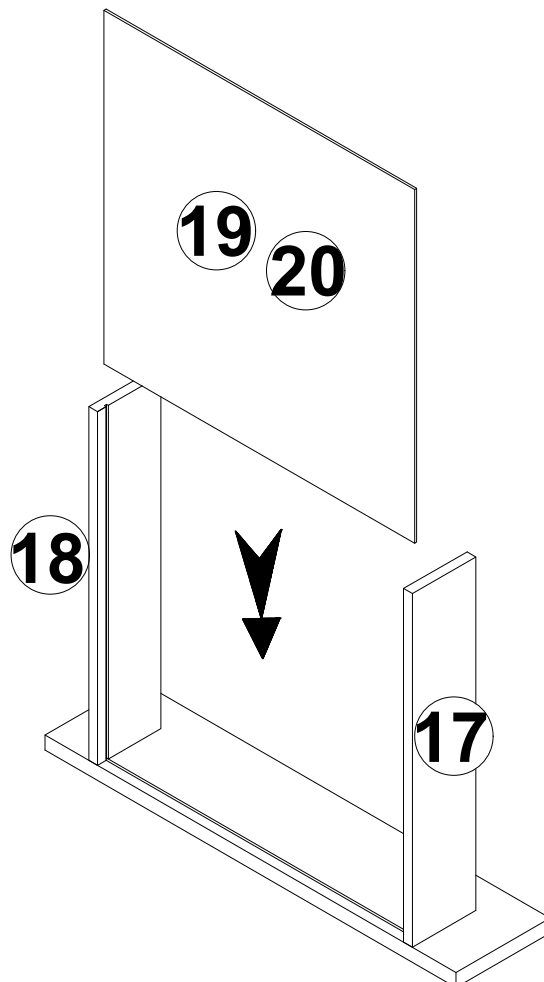


STEP 7




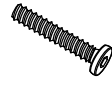
X 4

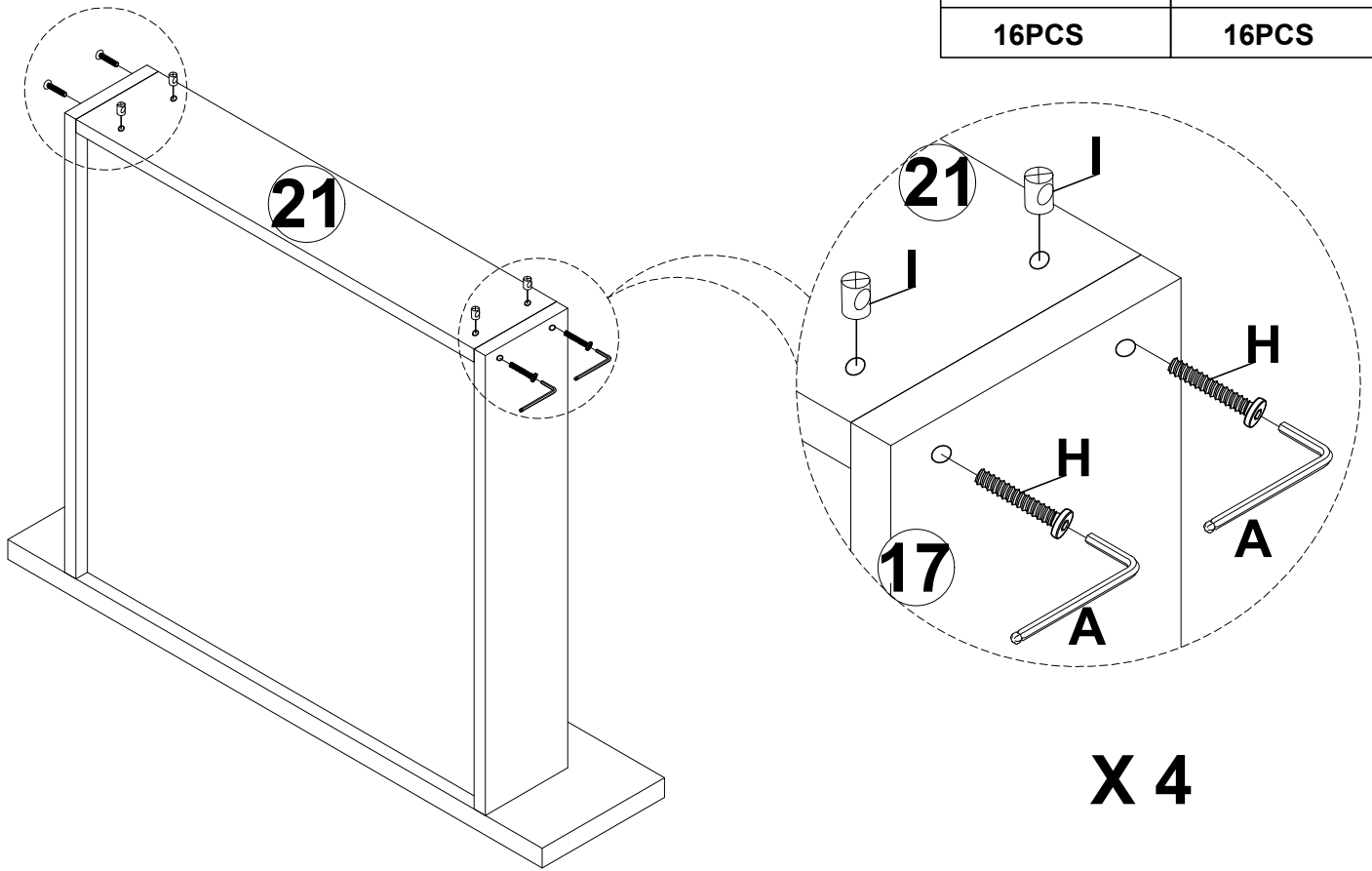
STEP 8



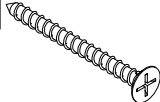
X 4

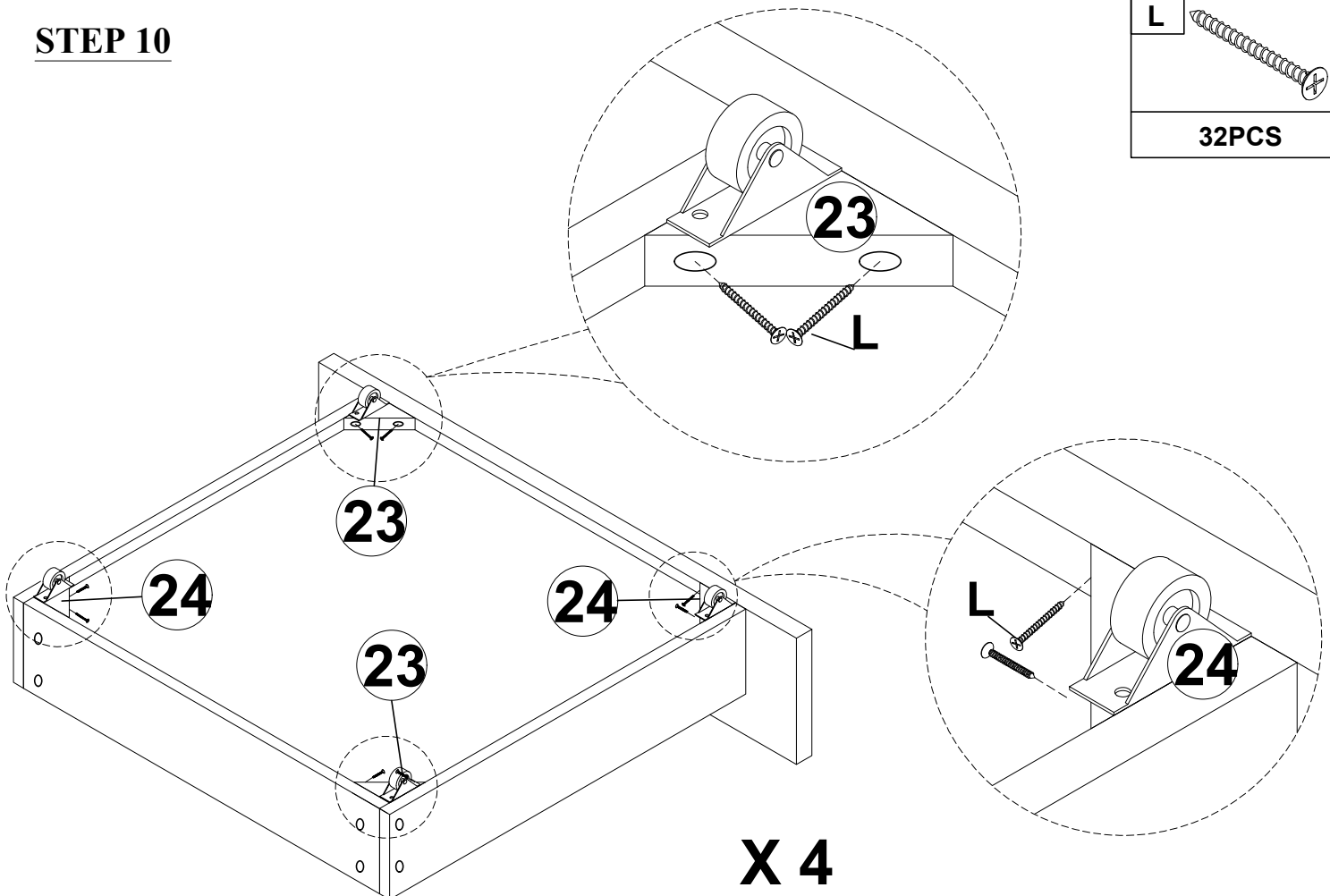
STEP 9

I		H	
16PCS		16PCS	

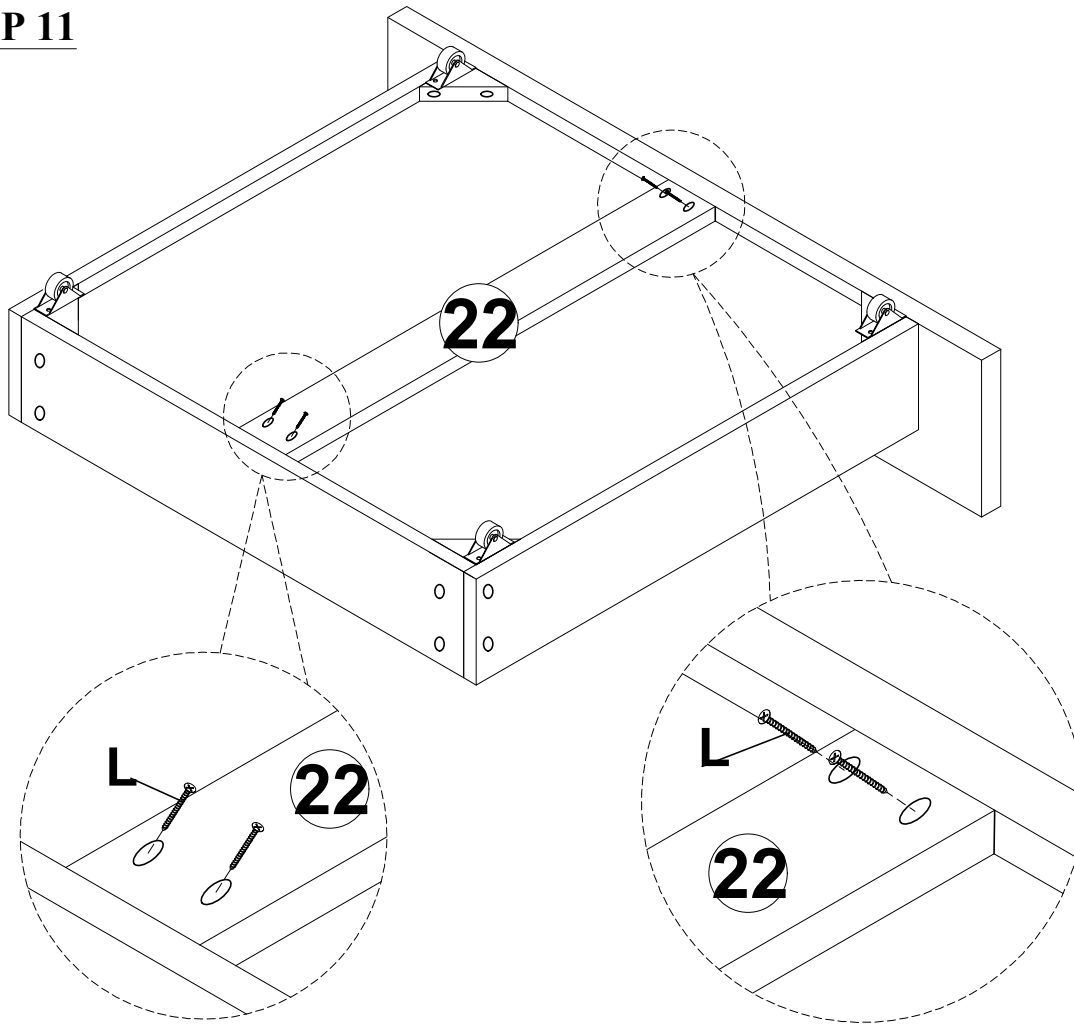


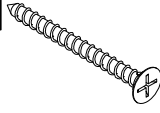
STEP 10

L	
32PCS	



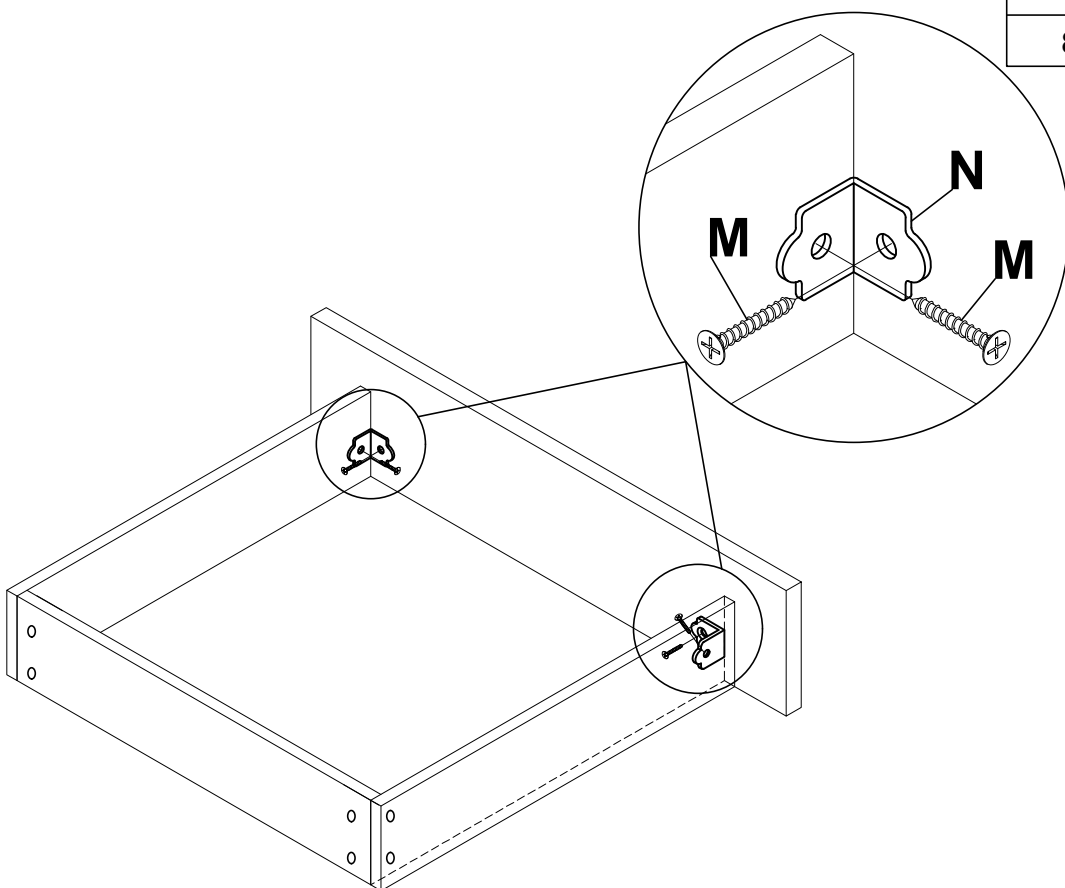
STEP 11


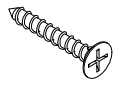


L	
16PCS	

X 4

STEP 12



N		M	
8PCS		16PCS	

X 4

STEP 13

