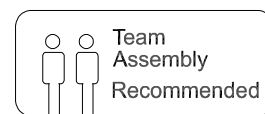
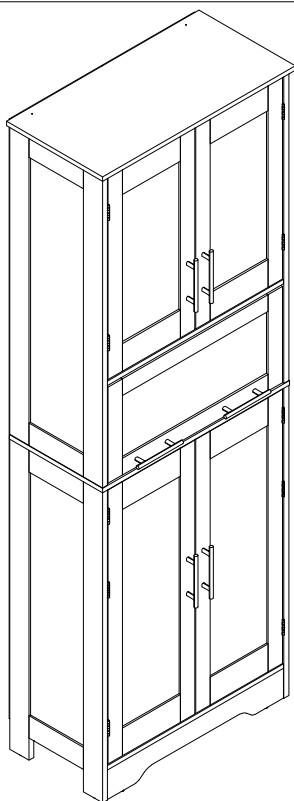


Assembly Instruction



Trouble shooting:

Missing / Wrong / Broken parts and installation issues



Send email with your question pic, order NO. and screenshot of order details



Respond within 24 hours



Issue resolved

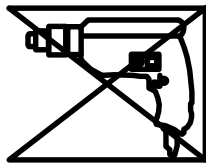
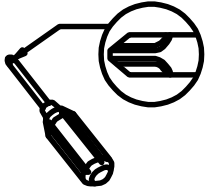
Tips!



1. Check all the components & screws are intact before assembling .
2. If you notice any pieces are missing or damaged please do not assemble and contact us immediately .
3. **Please send an email with you order number and issues, we will respond within 24 hours.**

Tools required

A Phillips head screw driver is required for the assembly of this product. (not included)
Electric tool should not be used to assemble this product.



Two people are needed



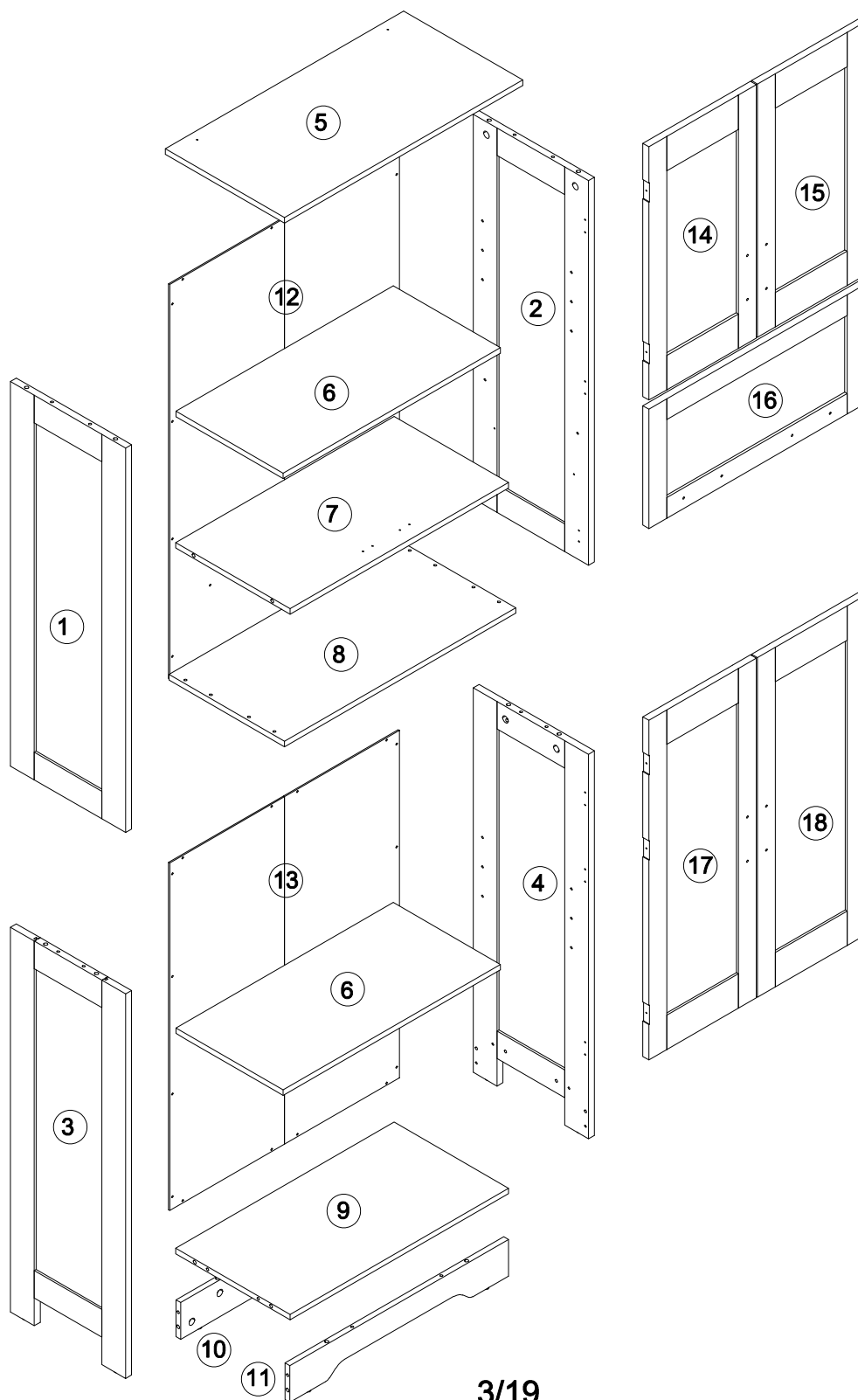
IMPORTANT SAFETY INFORMATION

- Please carefully read the following instructions and caution warnings before assembling the product.
- Following this guide will ensure that you install, use and maintain the product properly.
- Please keep this installation and user manual/instructions for future reference in case you need to disassemble the product.
- Never allow children to climb onto the product. Ensure that you have special safety measures when children are around on their own.
- Be sure to check that all parts of the product are intact after you open the package.
- Do not assemble if you notice serious damage such as cracks or bends.
- During installation, please use work gloves for hand safety.
- Please assemble the unit on carpeted floor or the flat cardboard box to avoid scratching the surface or your floor while assembling on the floor.
- To assemble, please use the complimentary installation tools (Phillips screwdriver). Pay more attention to the direction of components at each steps.
- It is recommended that two people work together to assemble the product.



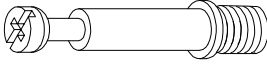
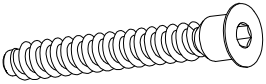
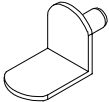
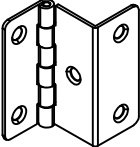

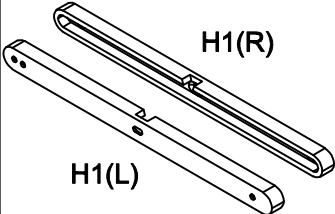

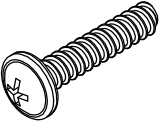
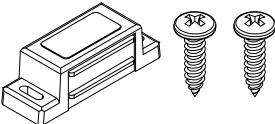
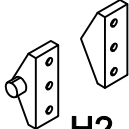
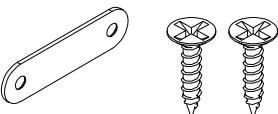
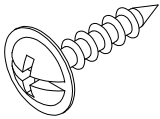
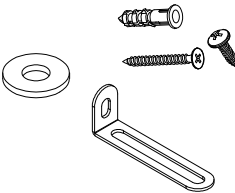
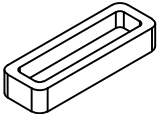
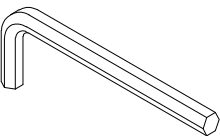

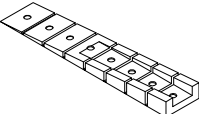
RETURN POLICY

- Please contact us directly within 30 days after receiving.
- Ensure the product is in a good condition with the original box and all original certificates of purchase, manuals, and accessories attached.

Part Nr.	Qty	Part Nr.	Qty	Part Nr.	Qty
1	1pc	8	1pc	15	1pc
2	1pc	9	1pc	16	1pc
3	1pc	10	1pc	17	1pc
4	1pc	11	1pc	18	1pc
5	1pc	12	1pc		
6	2pcs	13	1pc		
7	1pc	14	1pc		

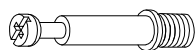


HARDWARE LIST

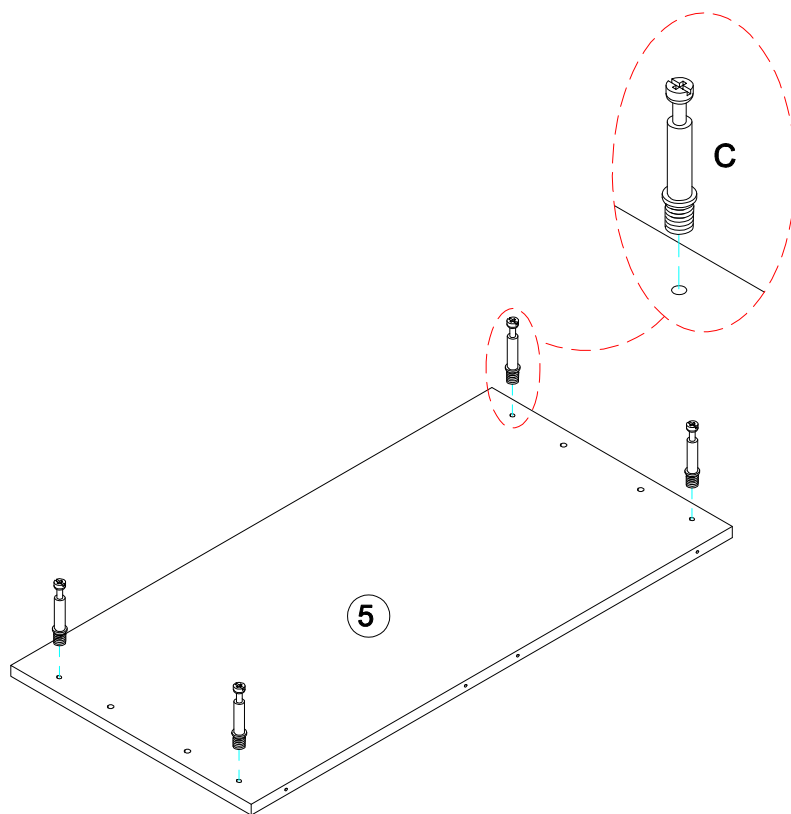
<p>A x 24+1PC</p>  <p>Ø6*30mm</p>	<p>B x 24+1PC</p>  <p>Ø15*9mm</p>	<p>C x 24+1PC</p>  <p>Ø6*35mm</p>	<p>D x 4+1PC</p>  <p>Ø7*38mm</p>
<p>E x 8</p> 	<p>F x 10</p> 	<p>G x 64+2PCS</p>  <p>Ø6*Ø3*14mm</p>	<p>H x 1</p> 
<p>I x 6</p> 	<p>J x 12</p>  <p>Ø8*Ø4*20mm</p>	<p>K x 4</p> 	<p>H2</p> 
<p>L x 4</p> 	<p>M x 34+1PC</p>  <p>Ø8*Ø3.5*12mm</p>	<p>N x 2</p> 	<p>O x 2</p> 
<p>P x 1</p>  <p>M4</p>	<p>Q x 1</p> 	<p>R x 1</p> 	

1

$\text{\O}6 \times 35 \text{mm}$

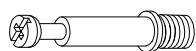


C x4

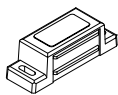


2

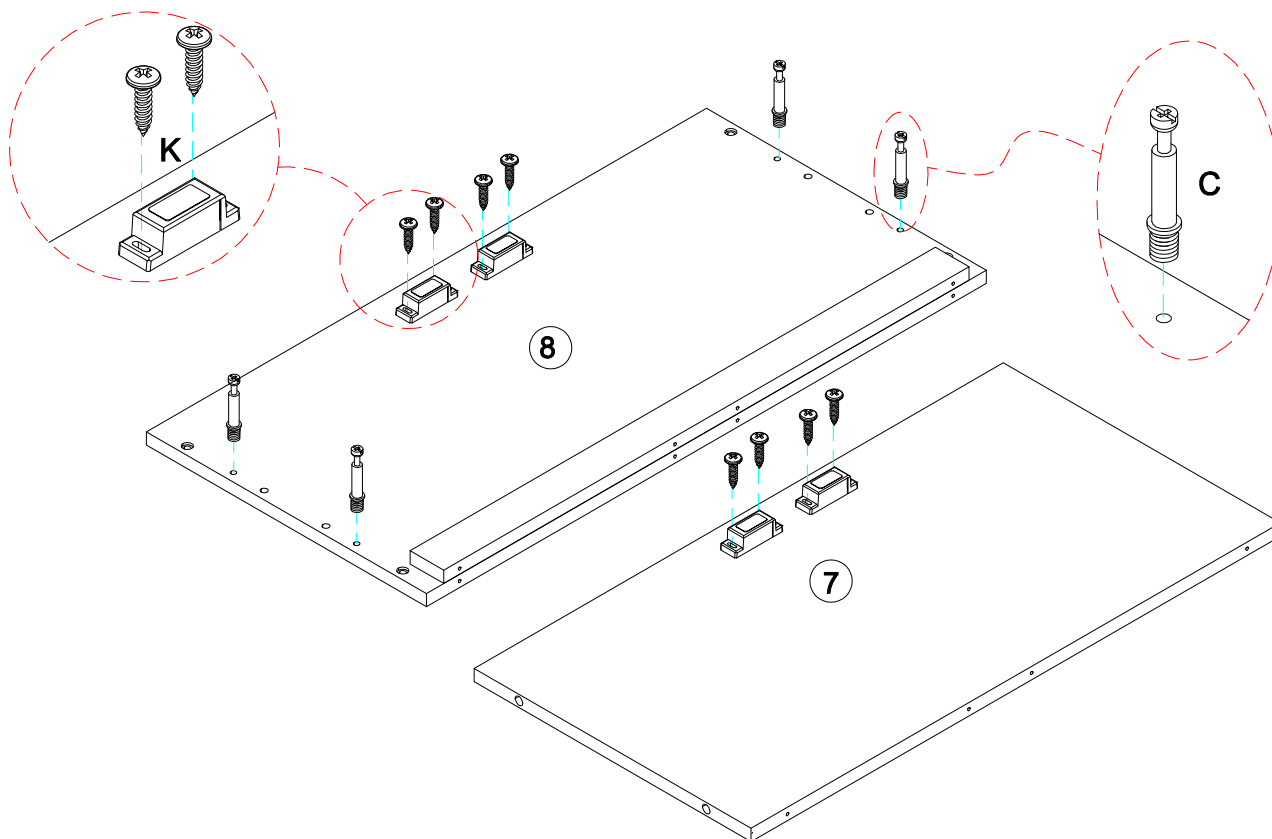
$\text{\O}6 \times 35 \text{mm}$



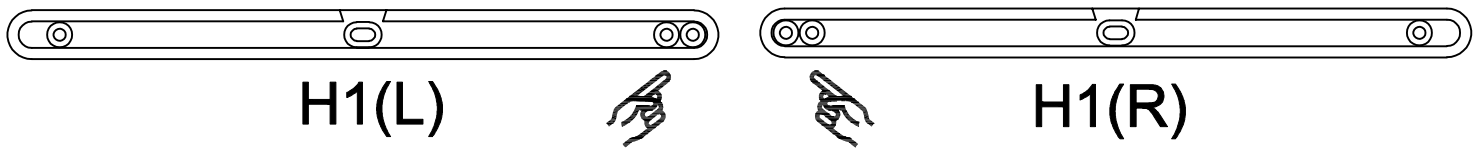
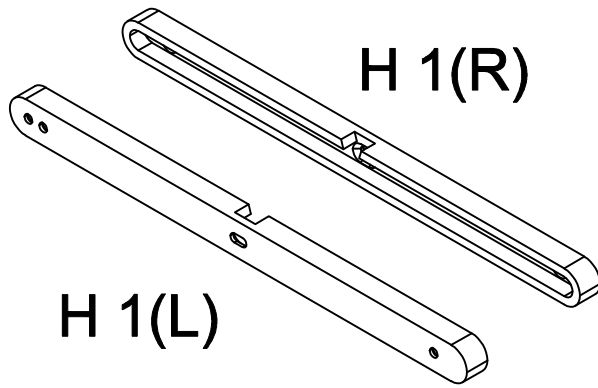
C x4



K x4

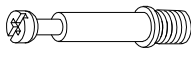


3



4

Ø6x35mm

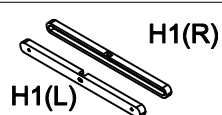


C x 4

Ø6*Ø3*14mm



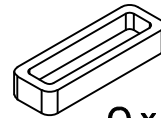
G x 8



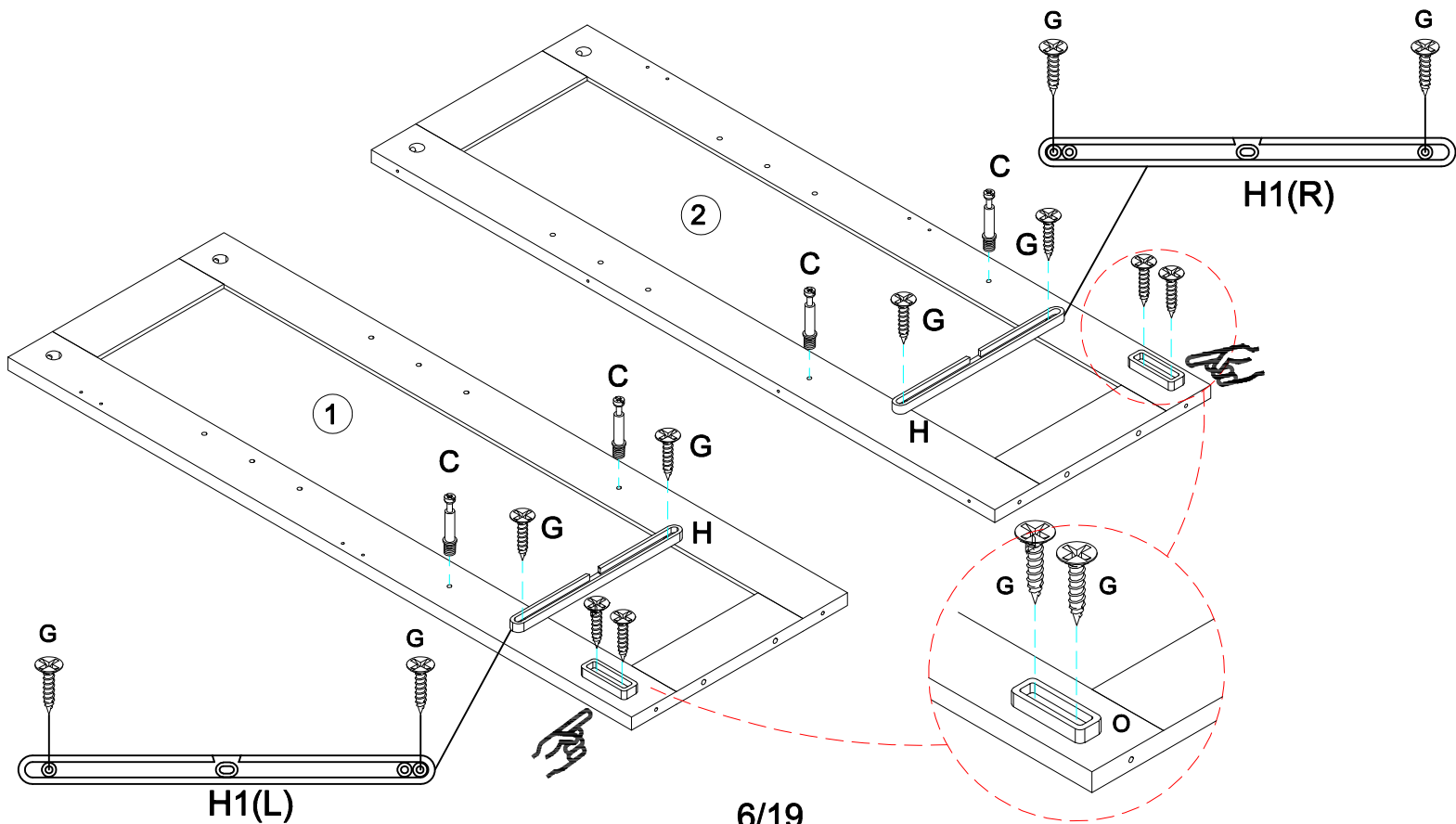
H 1(L)

H 1(R)

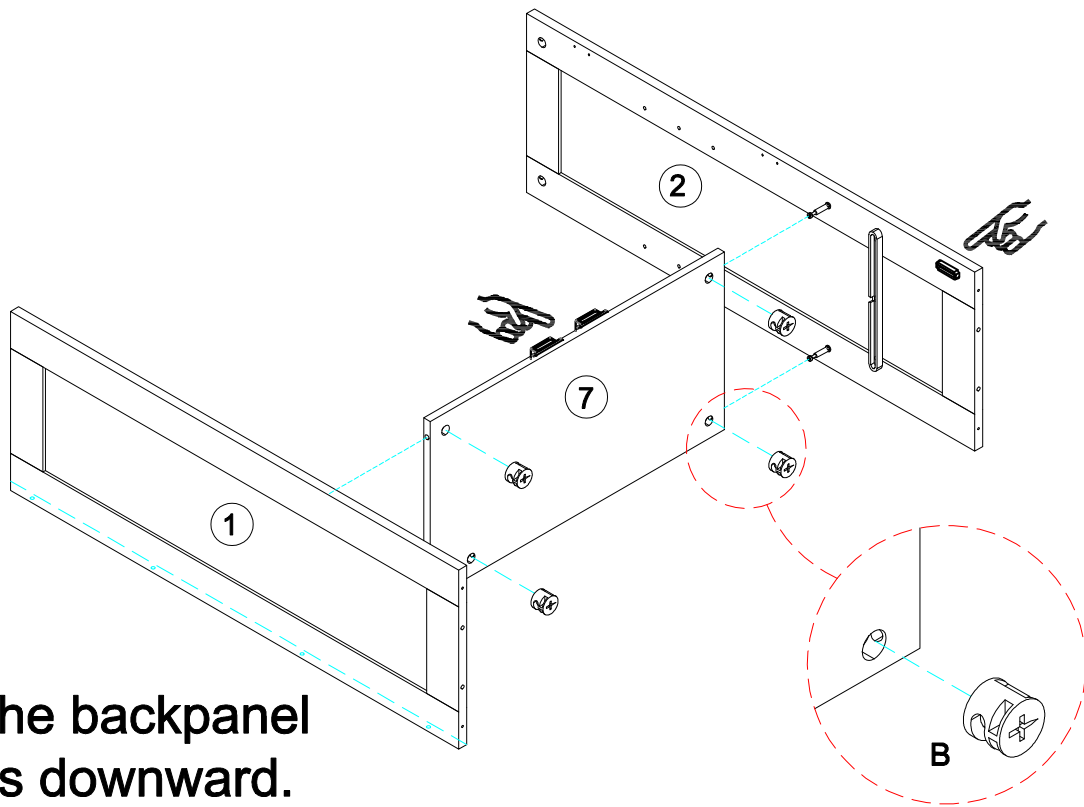
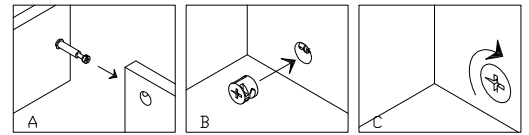
H x 1



O x 2



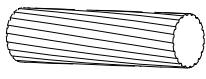
5



Noted the backpanel holes is downward.

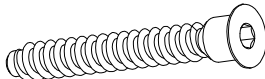
6

Ø6*30mm

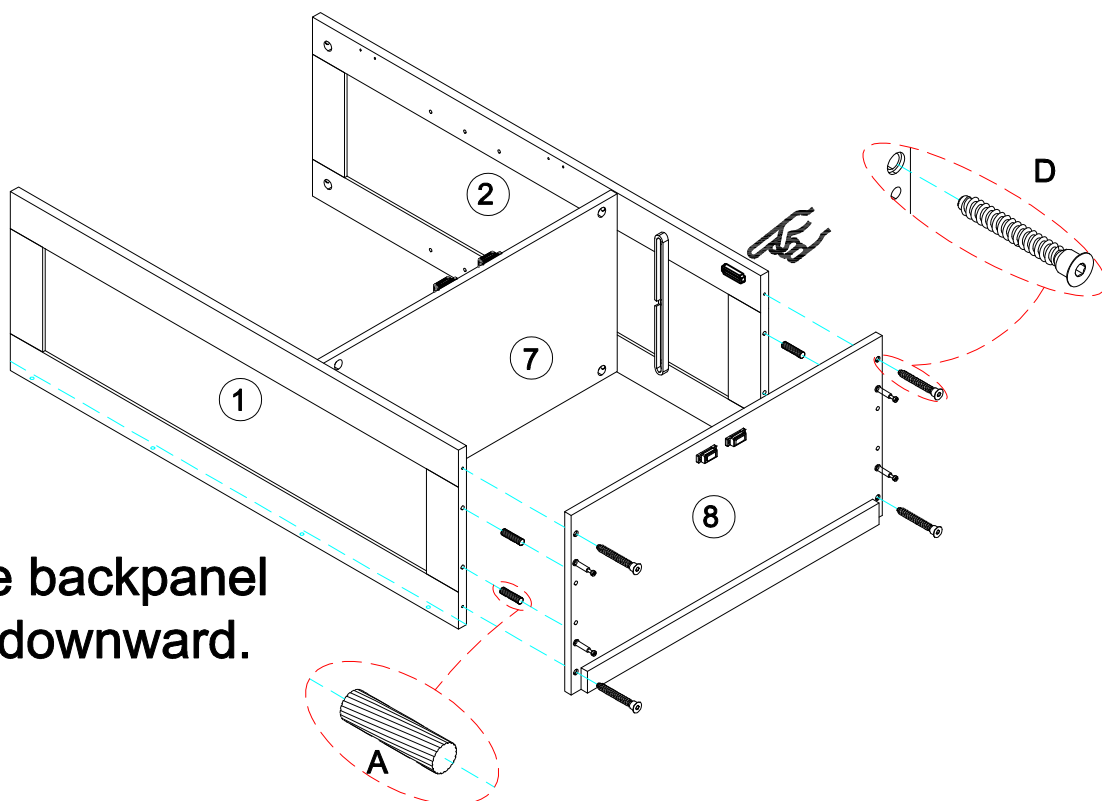


A x 4

Ø7x38mm



D x 4



Noted the backpanel holes is downward.

7

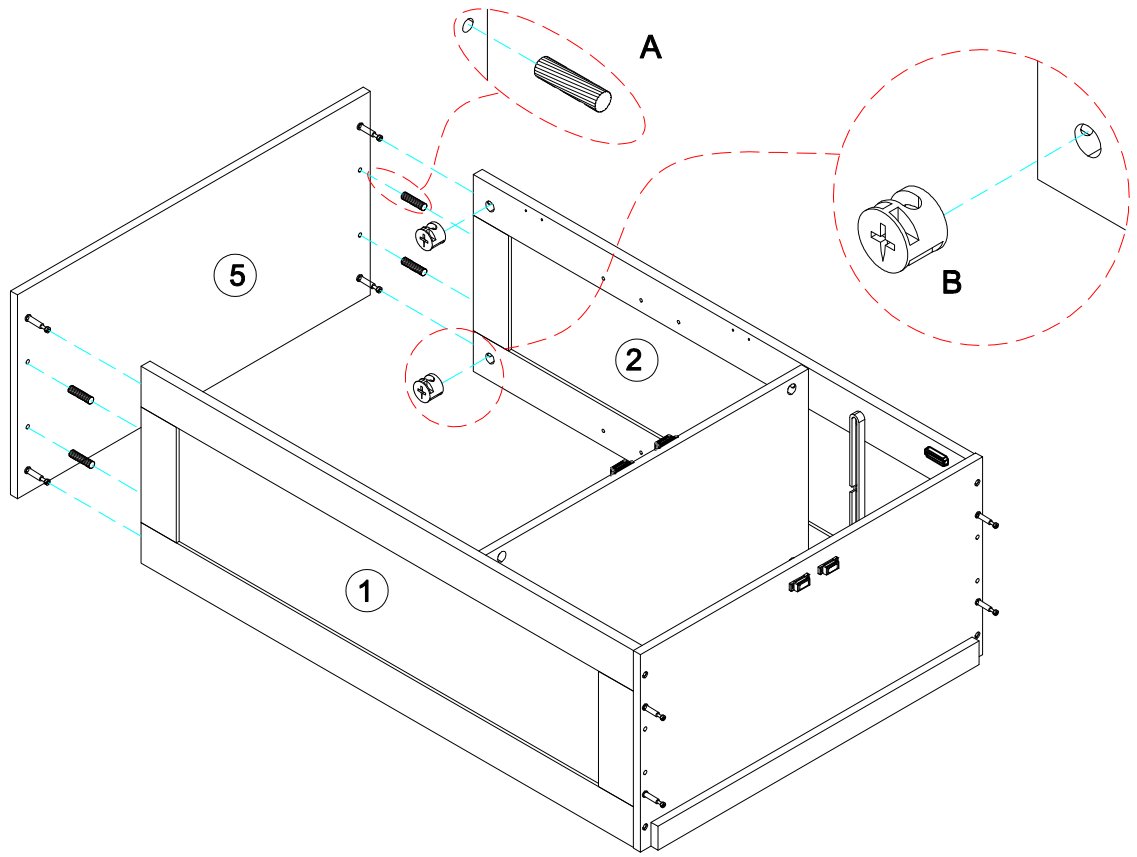
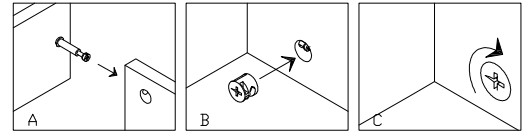
Ø6x30mm



A x 4



B x 4

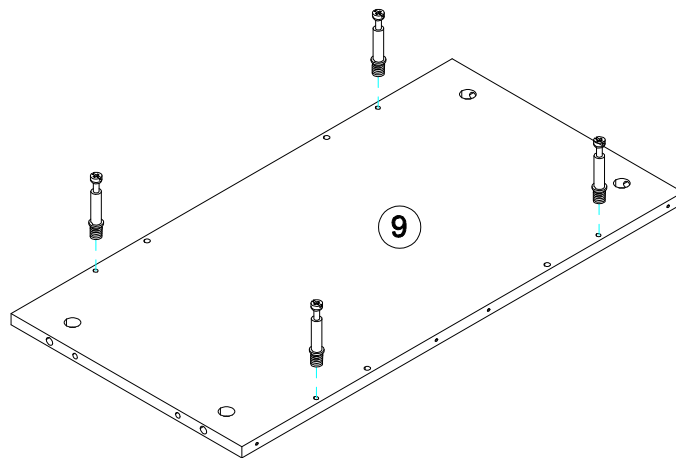


8

Ø6x35mm



C x 4

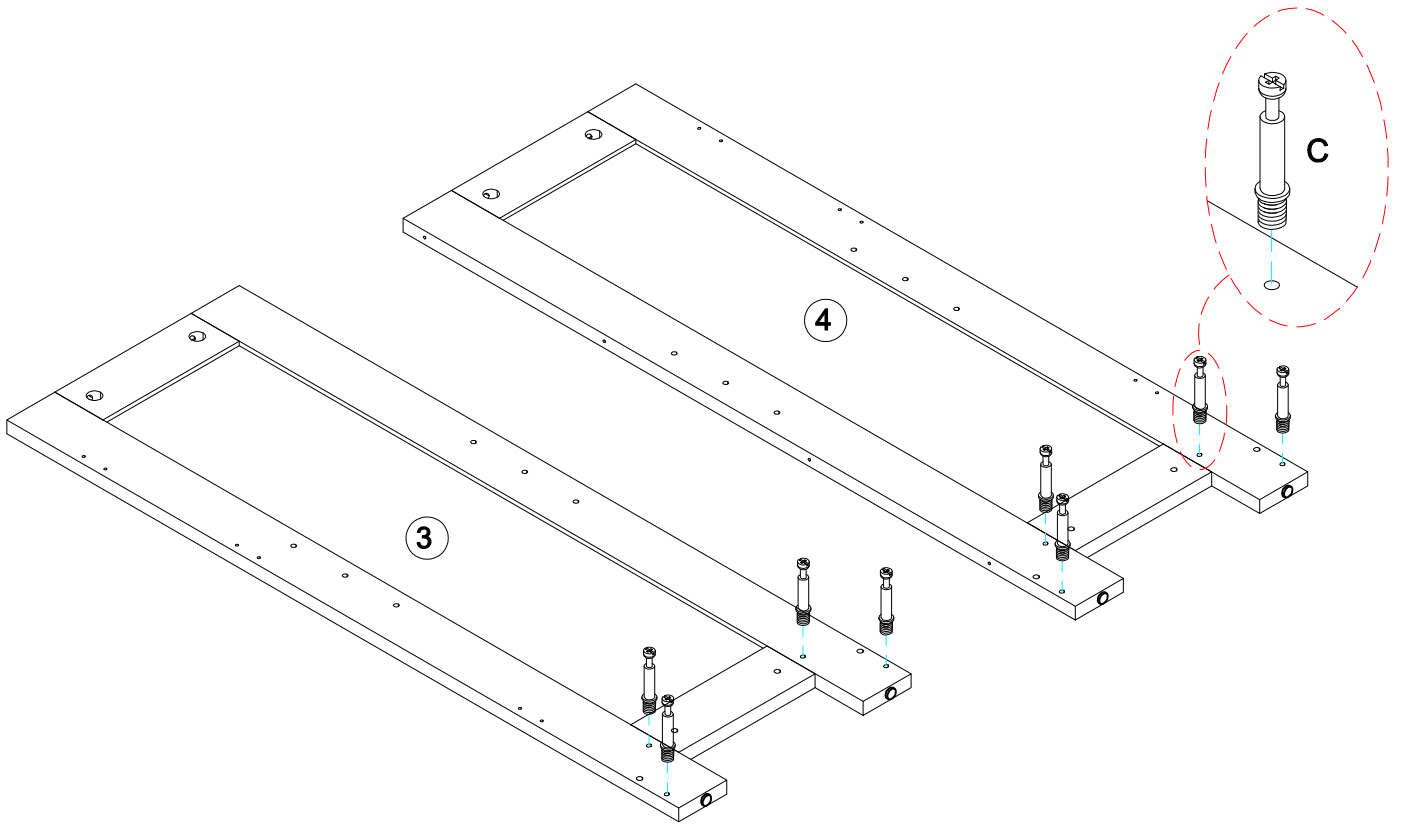


9

Ø6x35mm



C x8



10

Ø6x30mm

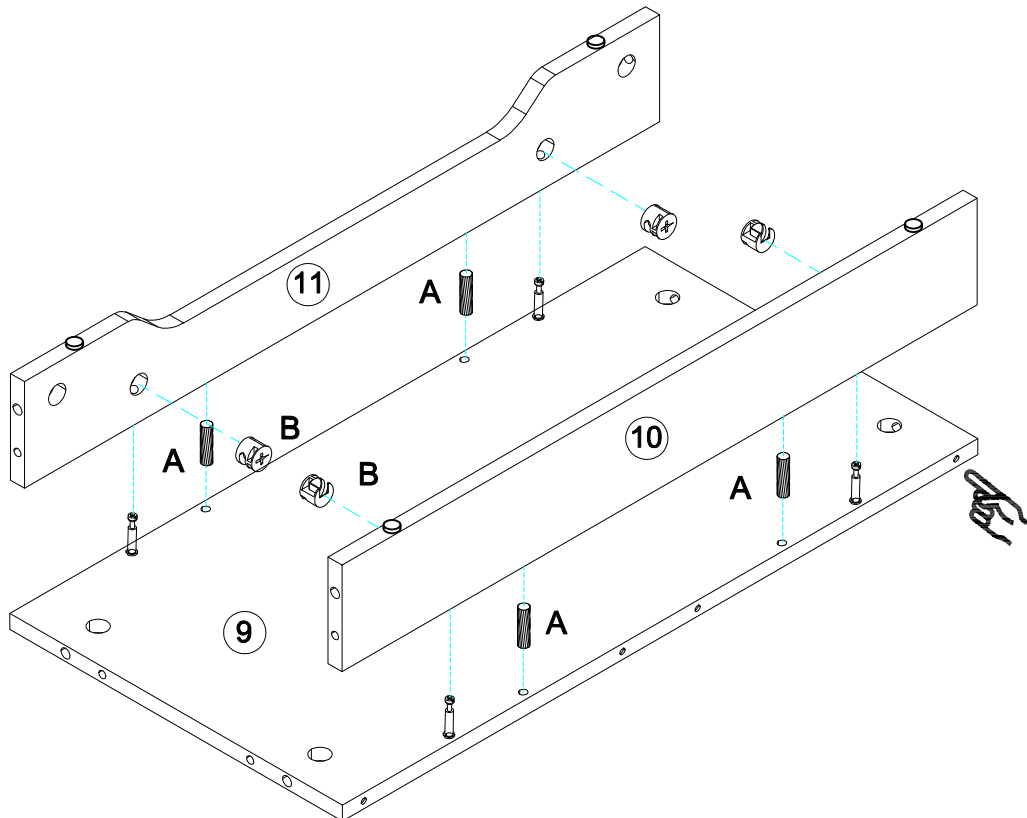
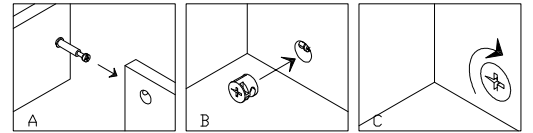


A x 4

Ø15x9mm



B x 4



11

Ø6x30mm

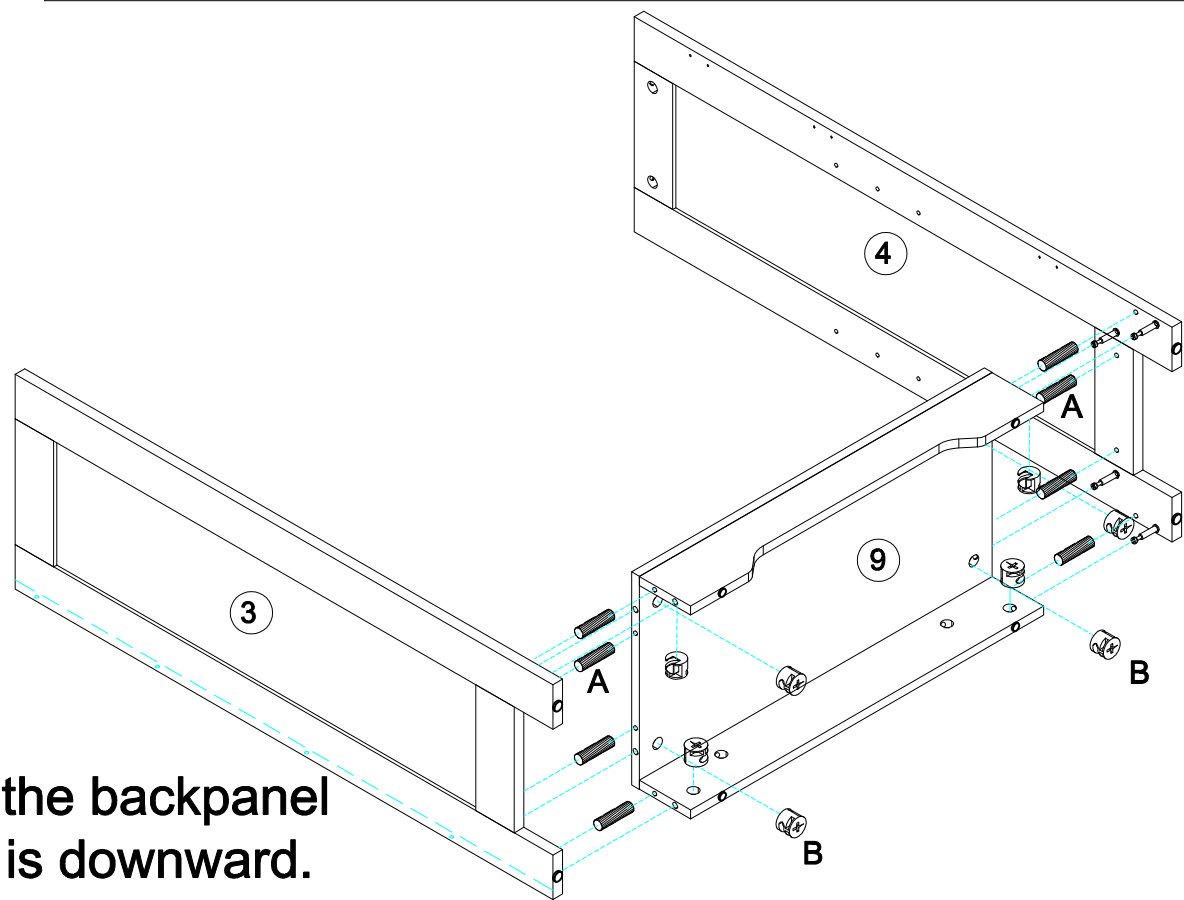
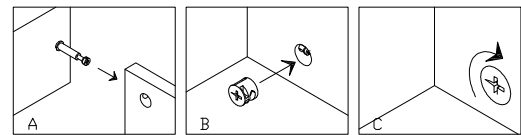


A x 8

Ø15x9mm



B x 8



Noted the backpanel holes is downward.

12

Ø6x30mm

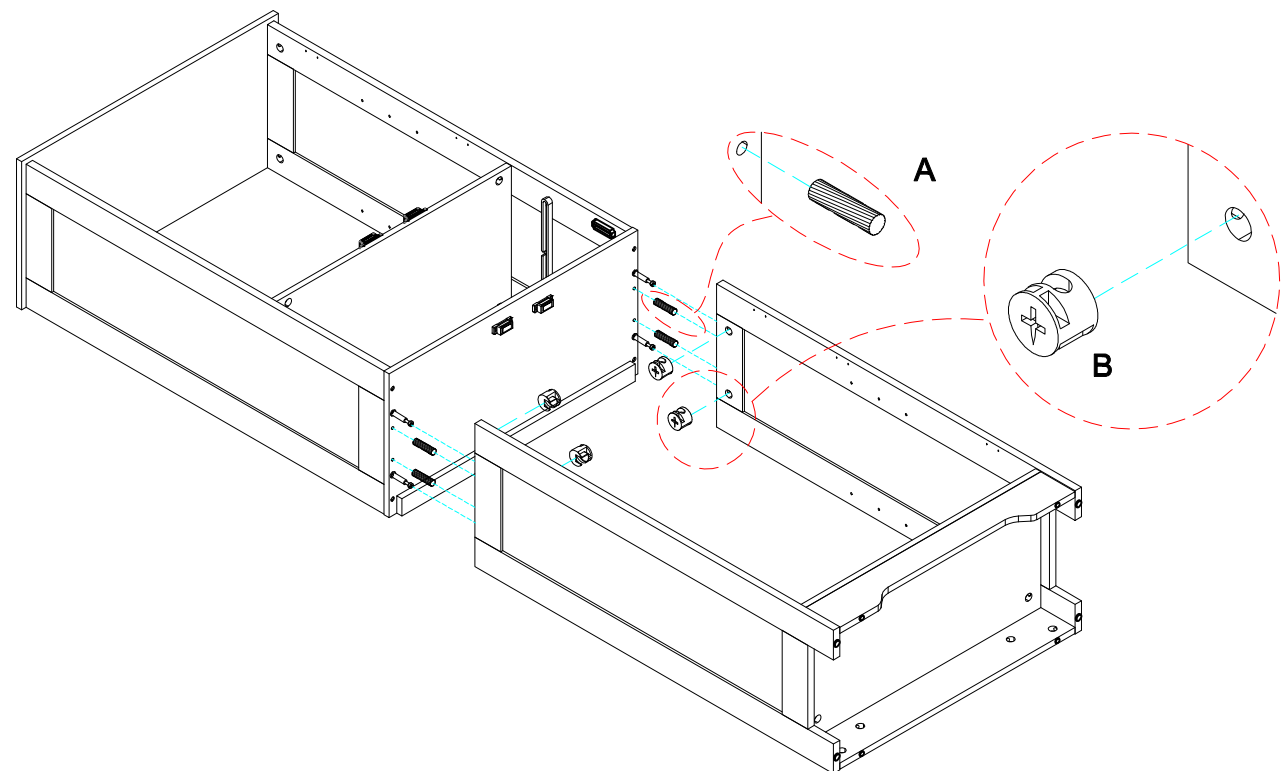
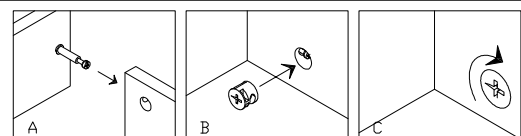


A x 4

Ø15x9mm

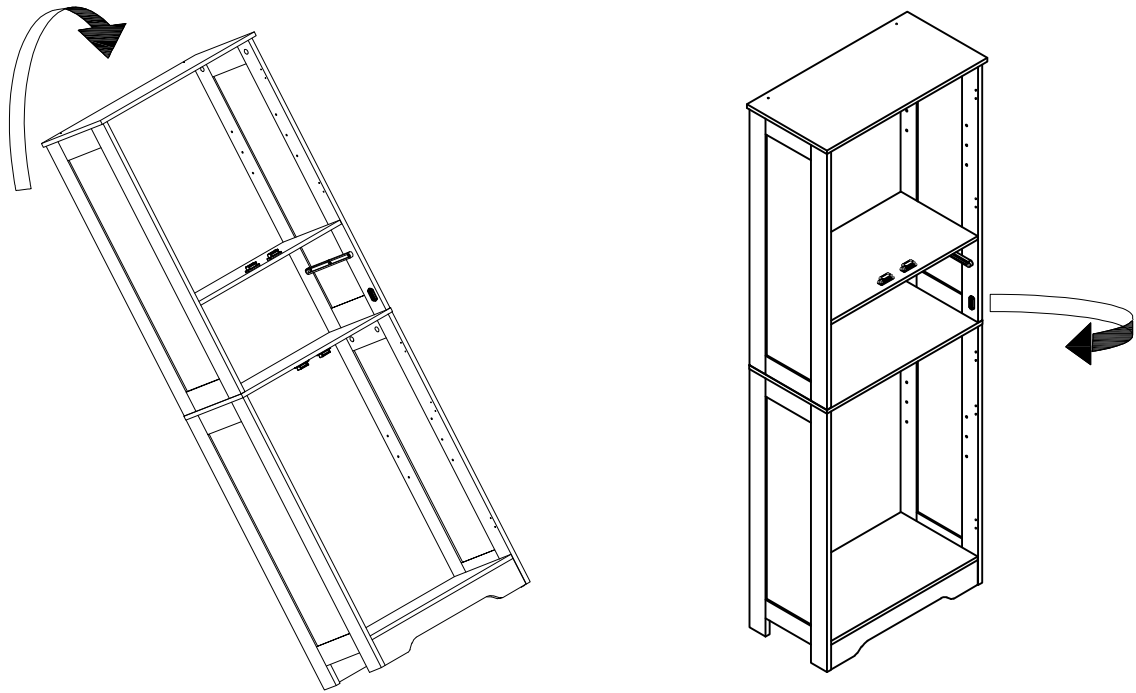


B x 4



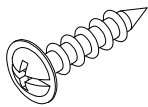
13

take care when you stand up the product frame

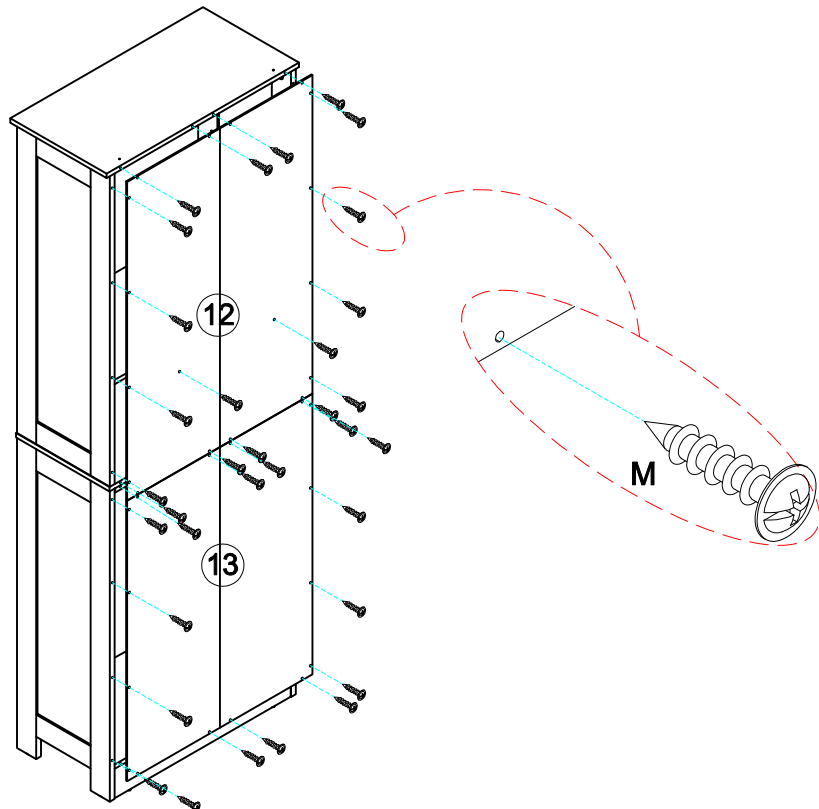


14

Ø8*Ø3.5*12mm



Mx 34

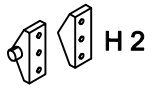


15

Ø6*Ø3*14mm

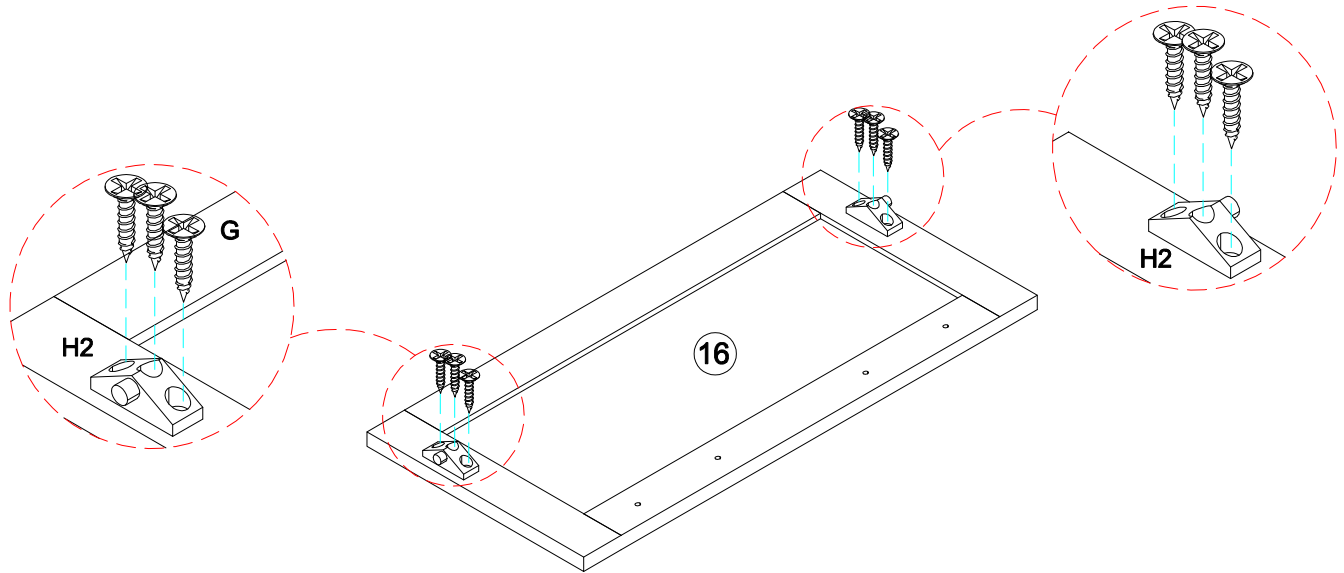


G x 6



H 2

H x 1

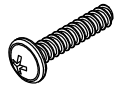


16

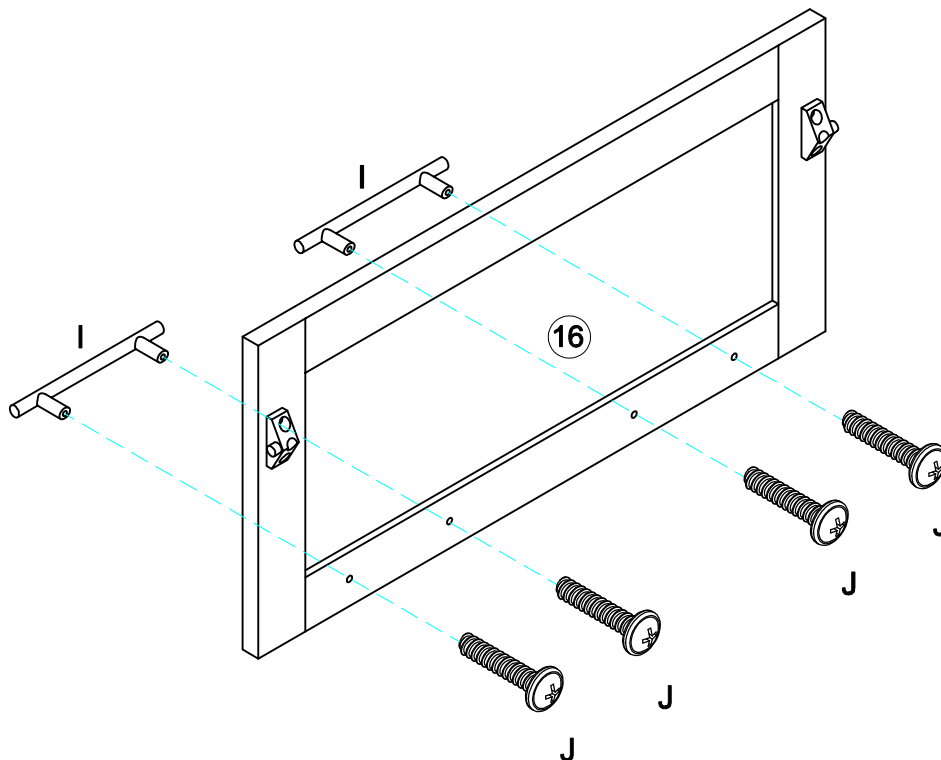


I x 2

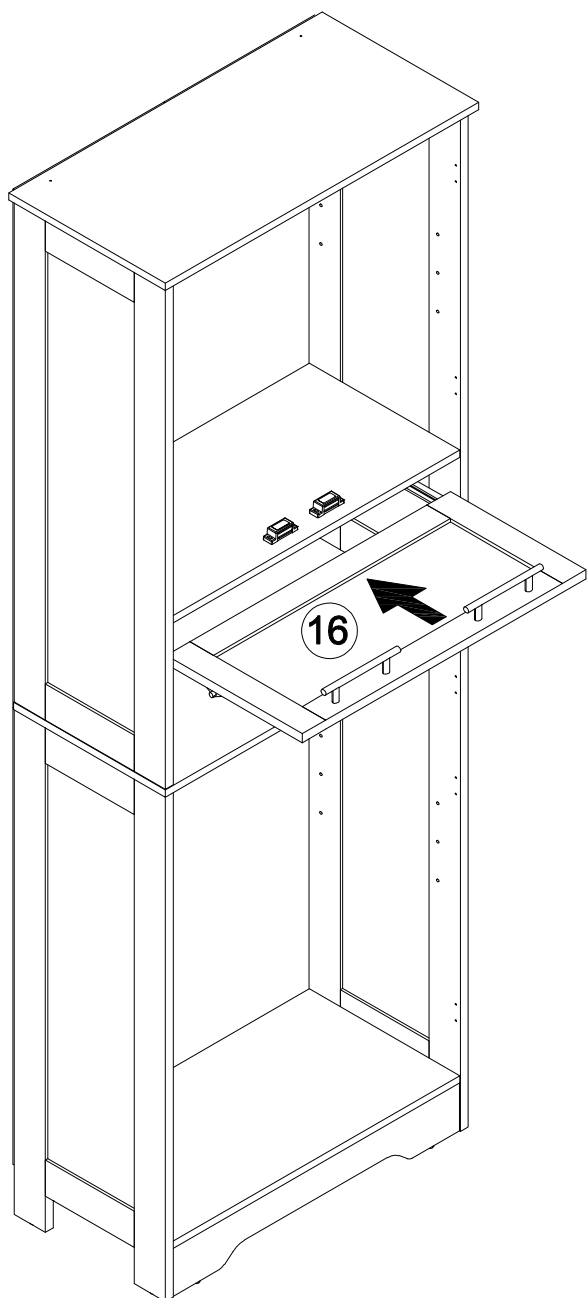
Ø8*Ø4*20mm



J x 4



17



Step1: Insert the flip door #16 into the frame as shown.

Step2: Press the cylinder of H2 into opening of Slide H1.

Step3: Flip door assembled ok.

18

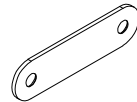


F x 4

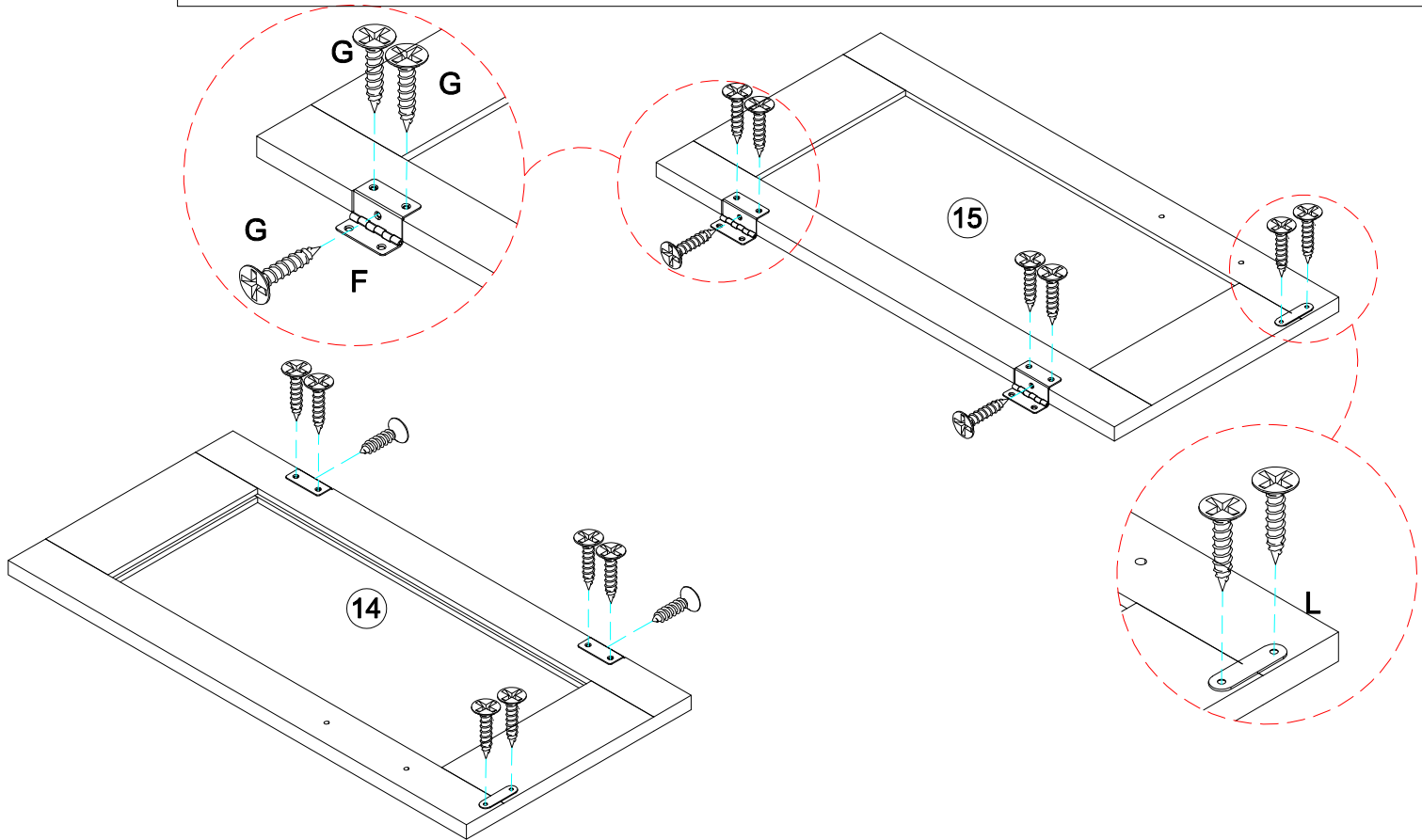
Ø6*Ø3*14mm



G x 12



L x 2

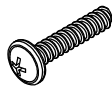


19

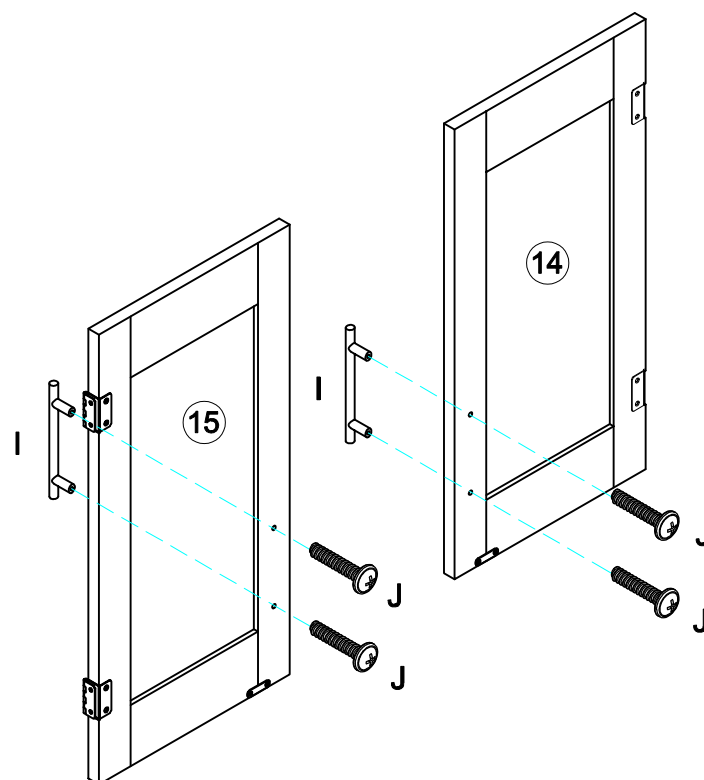


I x 2

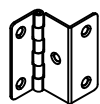
Ø8*Ø4*20mm



J x 4



20

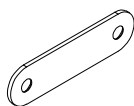


F x 6

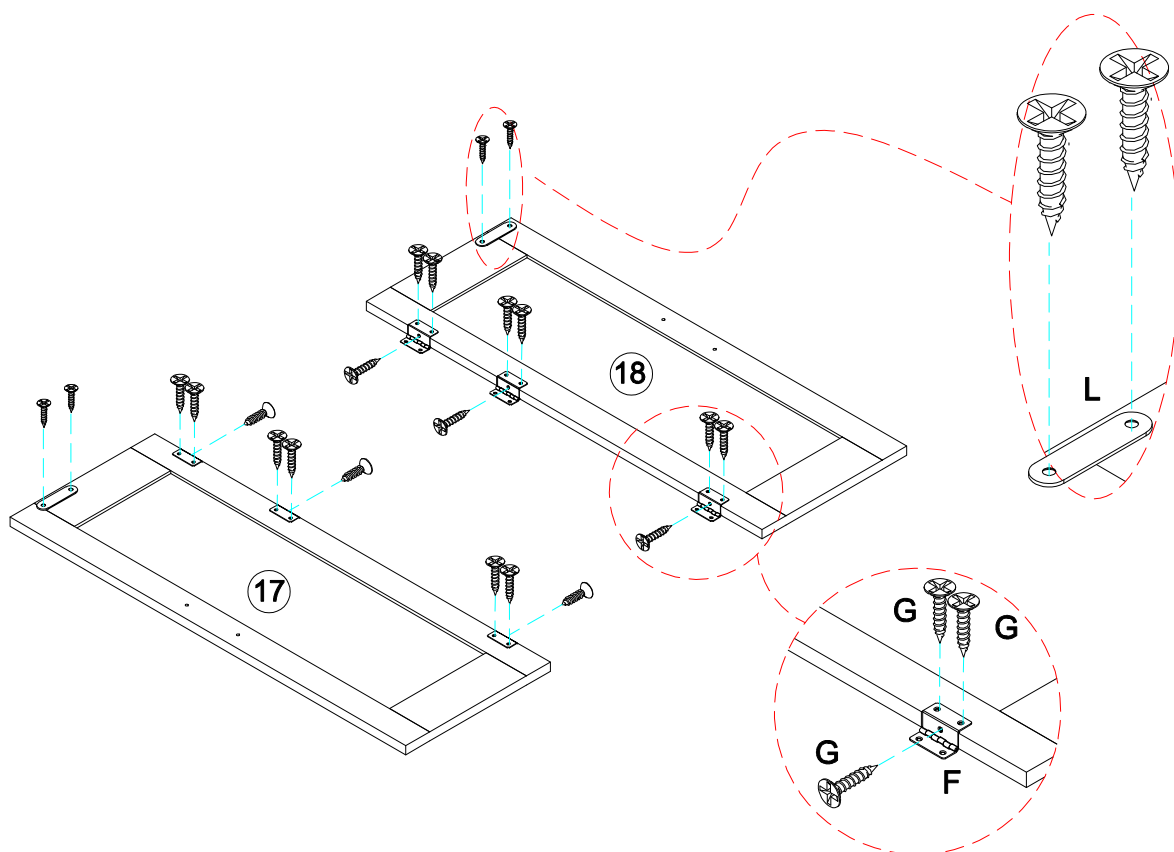
Ø6*Ø3*14mm



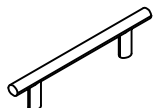
G x 18



L x 2

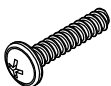


21

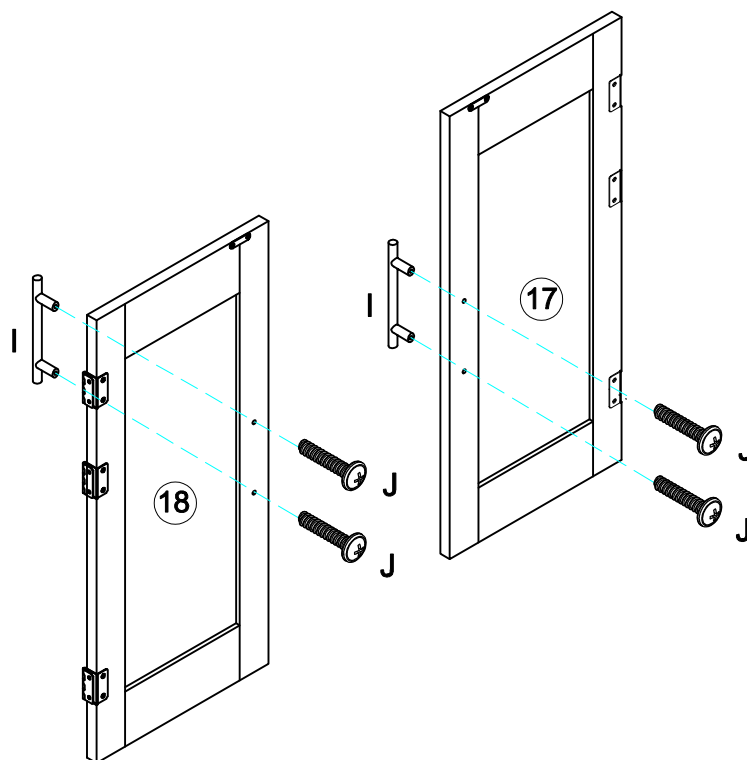


I x 2

Ø8*Ø4*20mm



J x 4

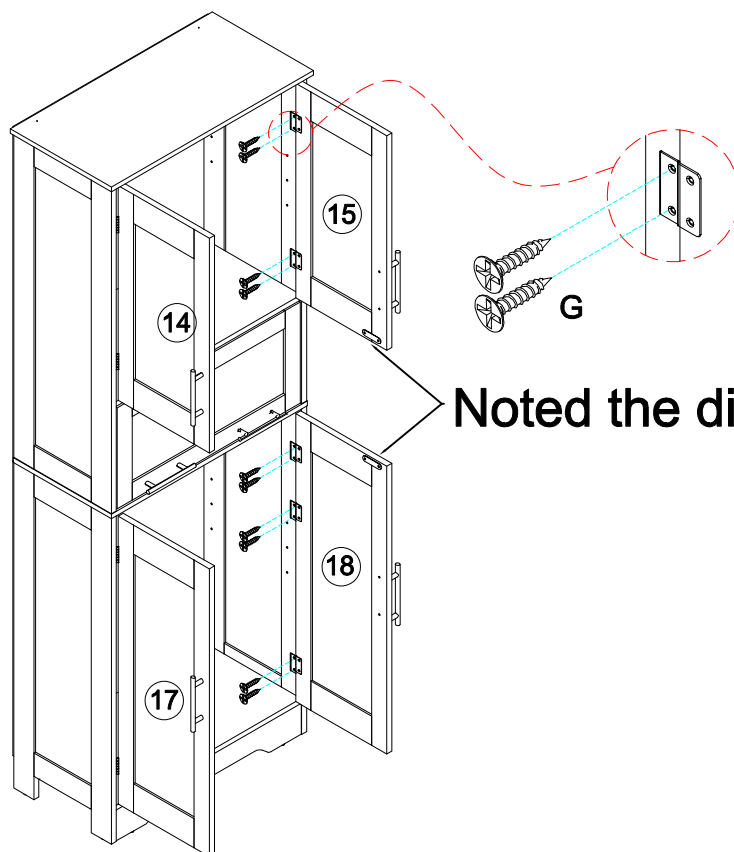


22

Ø6*Ø3*14mm

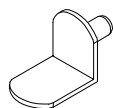


G x 20

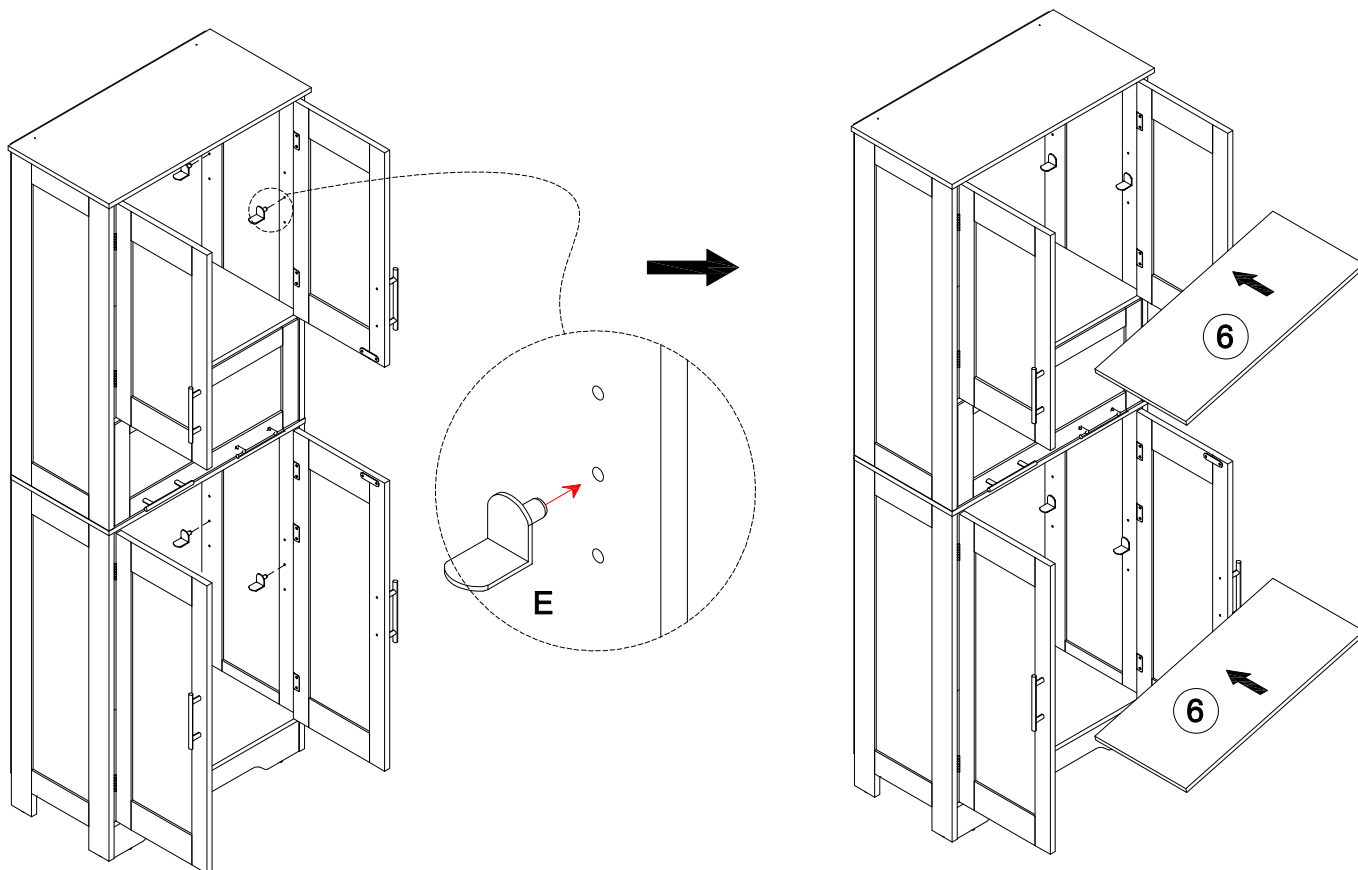


Noted the direction

23

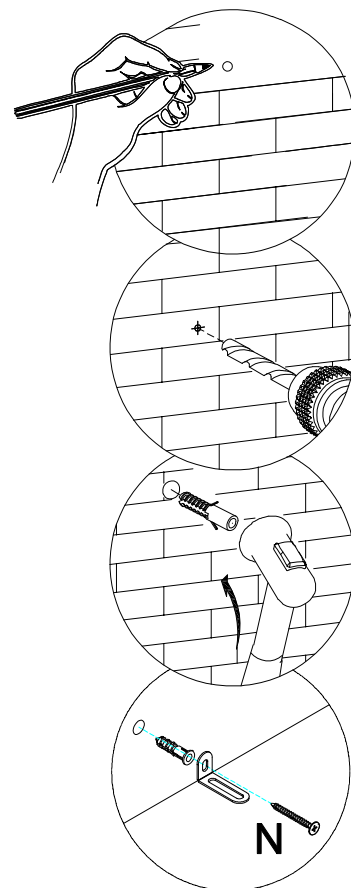
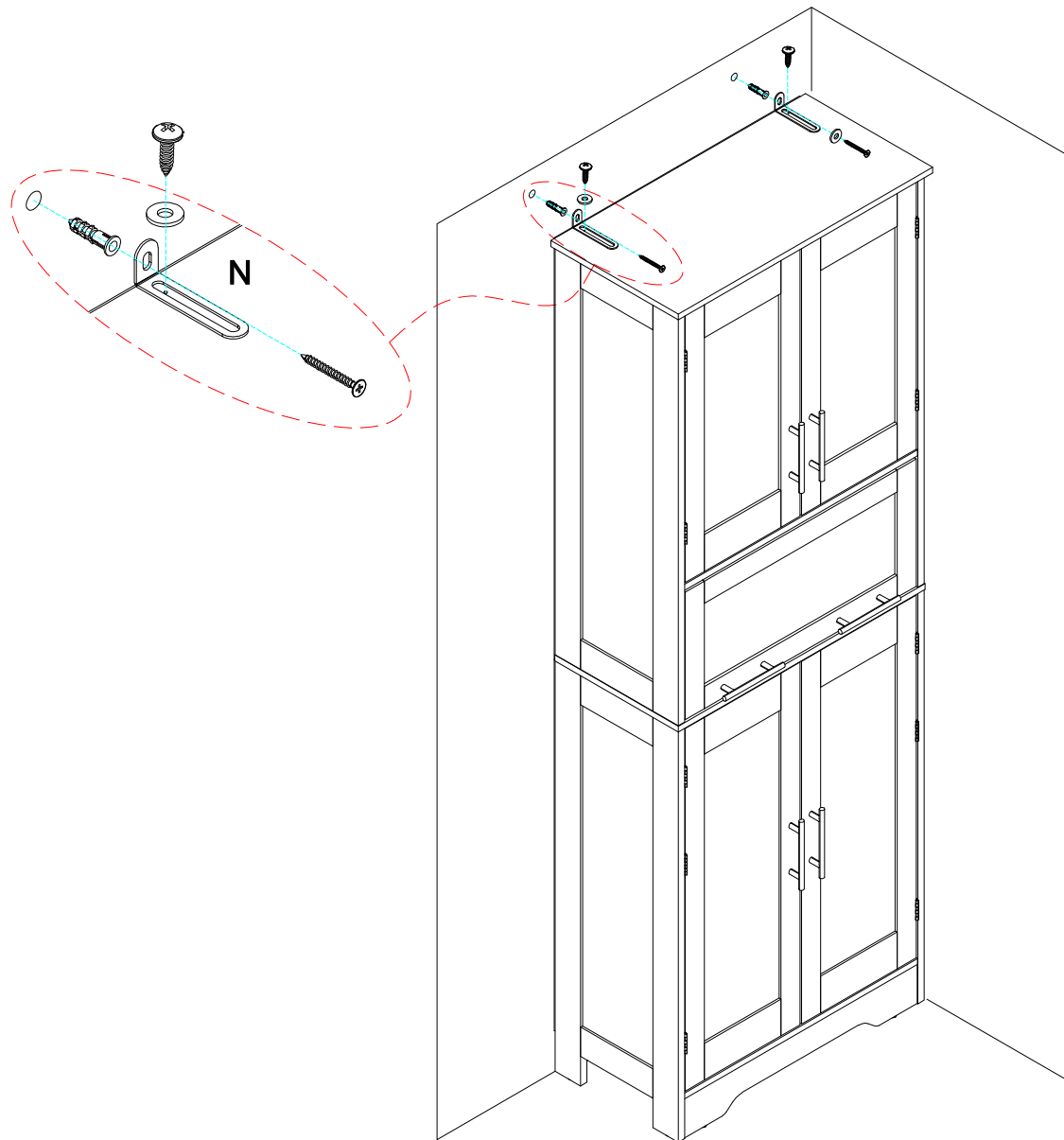
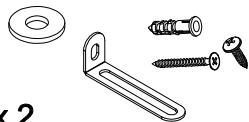


E x 8



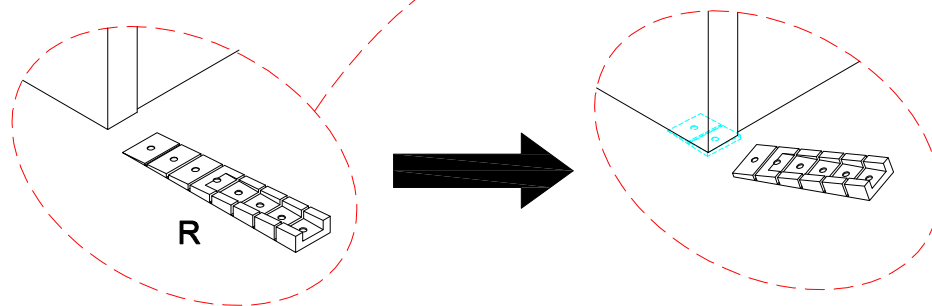
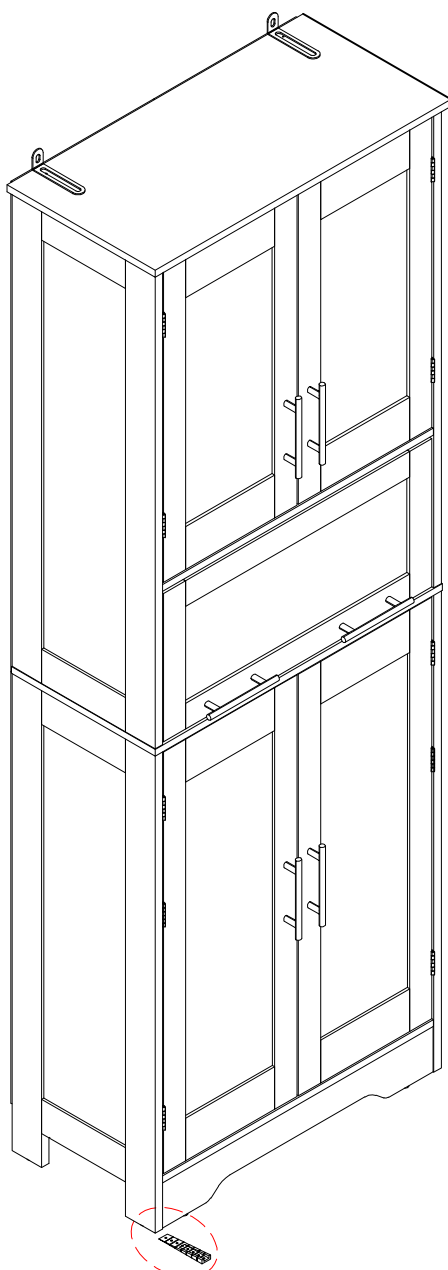
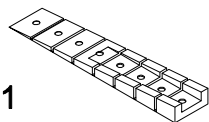
24

N x 2



25

R x 1



If the ground is uneven, or if the gap of door is uneven,
Please insert this foot pad under the foot.

Dear customer, thank you for purchasing Idealhouse products! We are proud to present our customers with high quality products!



If you have any product quality or use problems, please contact our customer service by email, we will ensure your satisfaction.



If you are satisfied with our products, please share your amazing experience with us and other customers! It would be our honor to hear from you!