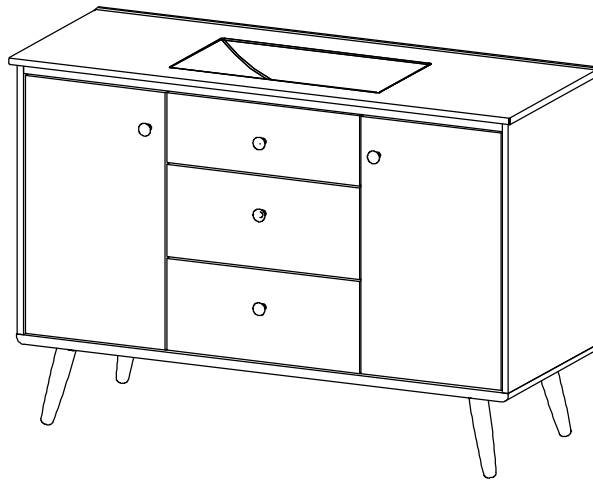


## CABINET

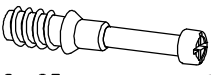


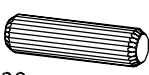
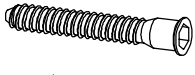


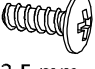
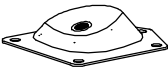




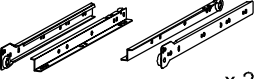

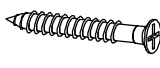
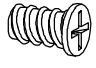

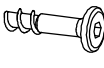


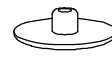


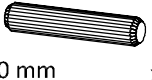

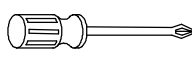
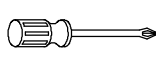
Thank you for purchasing

Before you start, here are some helpful advice:

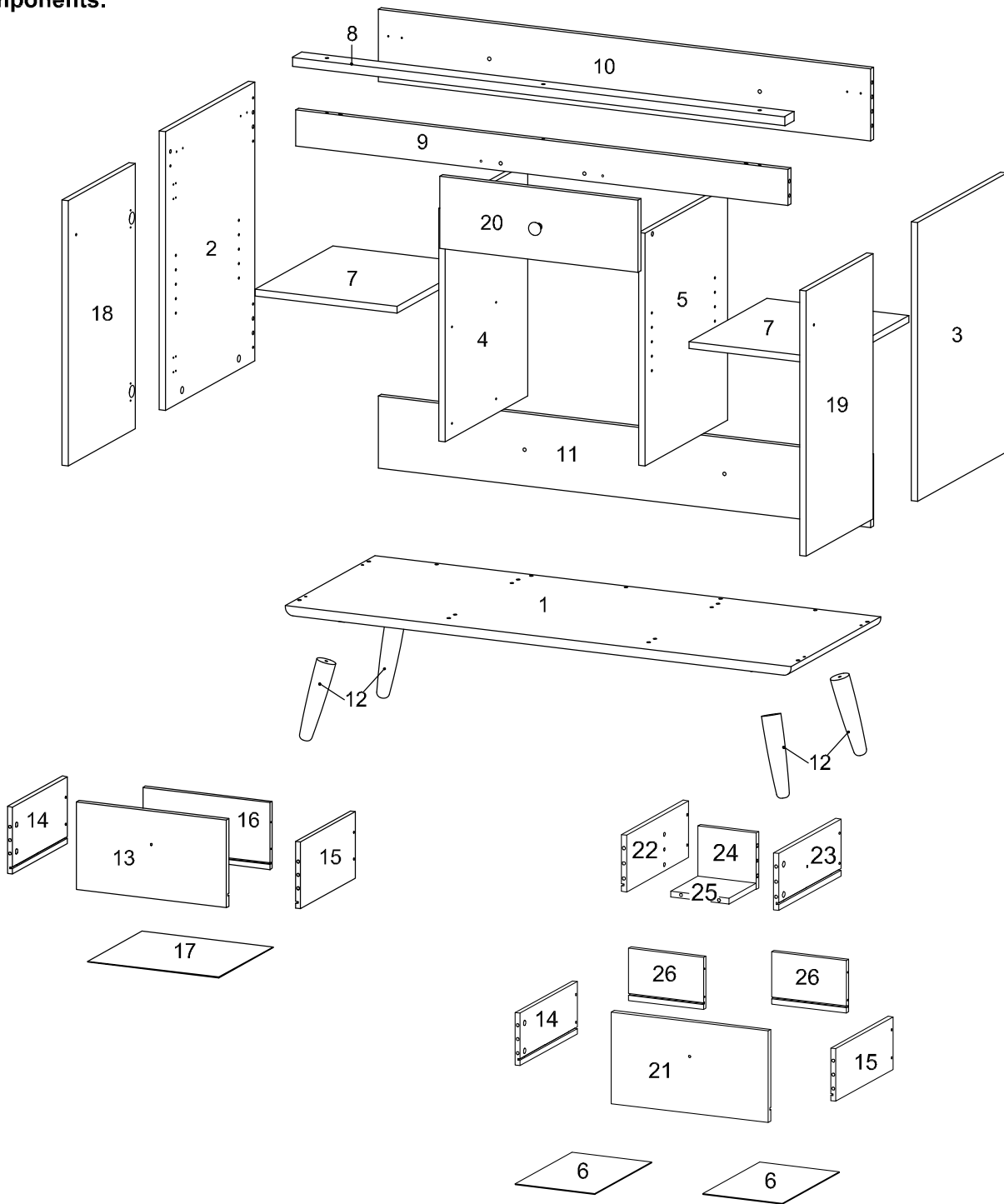
1. We suggest you spend a short time reading through this leaflet and then follow the simple step-by-step instructions.
2. Owing to the size and weight of the Cabinet, we recommend that it is assembled by two adults, on a carpeted or padded area, in the room that it is intended for. Approximate assembly time: 70 minutes.
3. Please do not use any tools other than those provided or recommended in these instructions.
4. Please do not throw away any of the packaging or instructions until you have checked all the components and hardware and the furniture is fully assembled.
5. Assemble all components loosely until advised to tighten. Depending on use, it may be necessary to tighten the components from time to time, so please save the tools that have been provided.
6. Please keep all pieces out of reach of children.



### Hardware :

<b>A)</b> Cambolt Big/Metal  $\varnothing$ 6 x 35 mm x 26	<b>B)</b> CamLock Big /Metal  $\varnothing$ 15 mm x 14	<b>C)</b> CamLock Small /Metal  $\varnothing$ 12 mm x 12	<b>D)</b> Dowel Big /Wood  $\varnothing$ 8x30 mm x 22	<b>E)</b> Screw/Metal  M 7 x 50 mm x 14
<b>F)</b> Hex/Allen Key/Metal  L 4 x 2	<b>G)</b> Hinge set/Metal  x 4	<b>H)</b> Screw/Metal  M 4.5 x 12.5 mm x 64	<b>I)</b> Leg Mounting Plate/Metal  x 4	<b>J)</b> Shelf Support/Metal  x 8
<b>K)</b> Door/Drawer Knob/Metal Chrome  x 5	<b>L)</b> Screw/Metal  M 4 x 22 mm x 5	<b>M)</b> Bracket/Metal  x 4	<b>N)</b> Rail/Metal  x 2	<b>O)</b> Screw/Metal  M 3.5 x 13 mm x 12
<b>P)</b> Screw/Metal  M 8 x 39 mm x 14	<b>Q)</b> Screw/Metal  M 6 x 10.5 mm x 22	<b>R)</b> Anti-Deflection Bar/Metal  x 1	<b>S)</b> Screw/Metal  M 6.4 x 25 mm x 2	<b>T)</b> Bracket/Metal  x 2
<b>U)</b> Floor Protector/Sponge/Felt  25 x 15 x 2 mm x 10	<b>V)</b> Screw Cap/Plastic  $\varnothing$ 15 mm x 4	<b>W)</b> Bracket/Metal  x 2	<b>X)</b> Screw/Metal  M 6 x 15 mm x 2	<b>Y)</b> Dowel Medium/Wood  $\varnothing$ 6x30 mm x 14
<b>Z)</b> Dowel Small/Wood  $\varnothing$ 8x20 mm x 2	<b>AA)</b> x 1  Screwdriver (Not Include)	<b>AB)</b> x 1  Short Screwdriver (Not Include)		

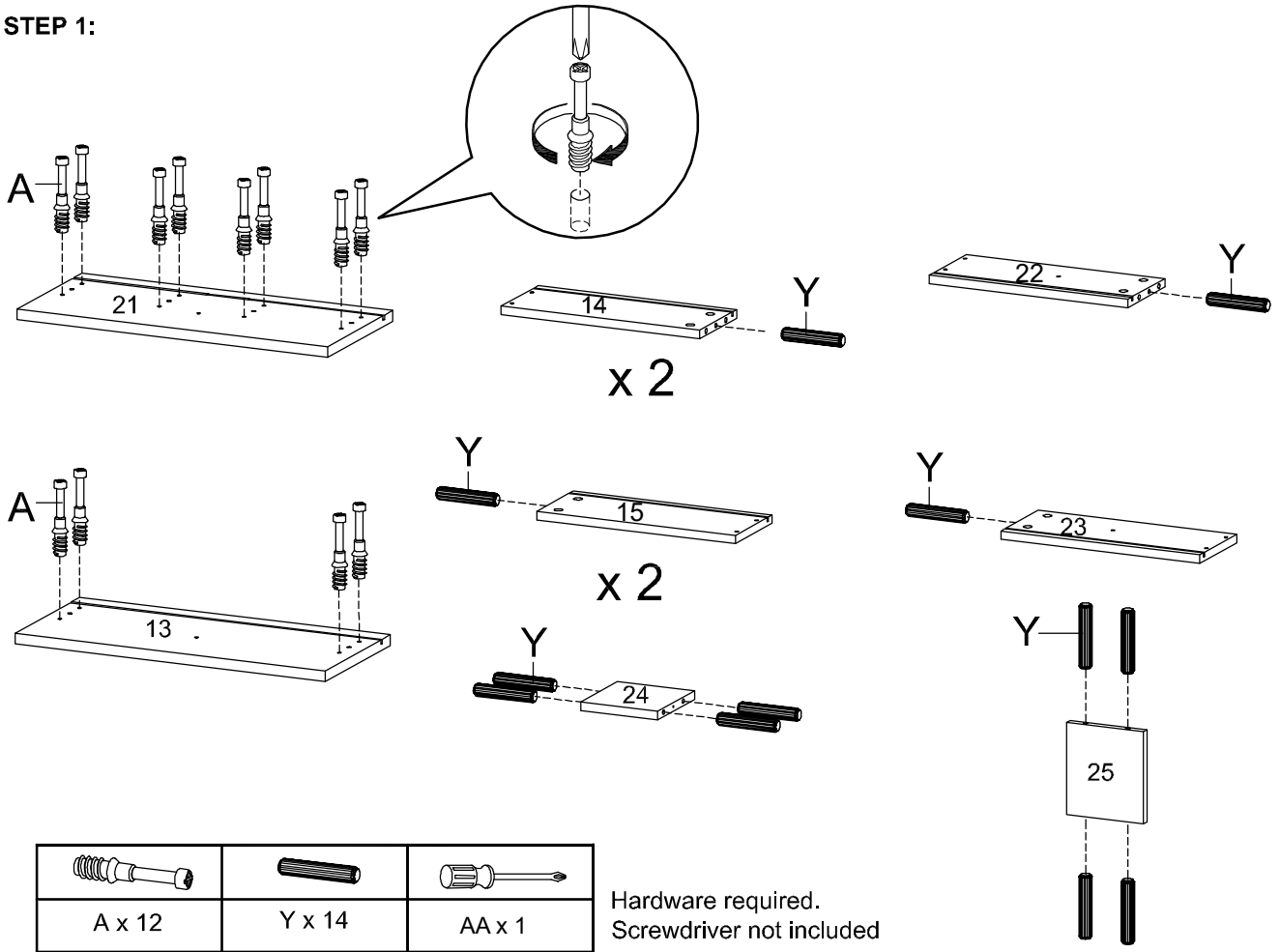
**Components:**



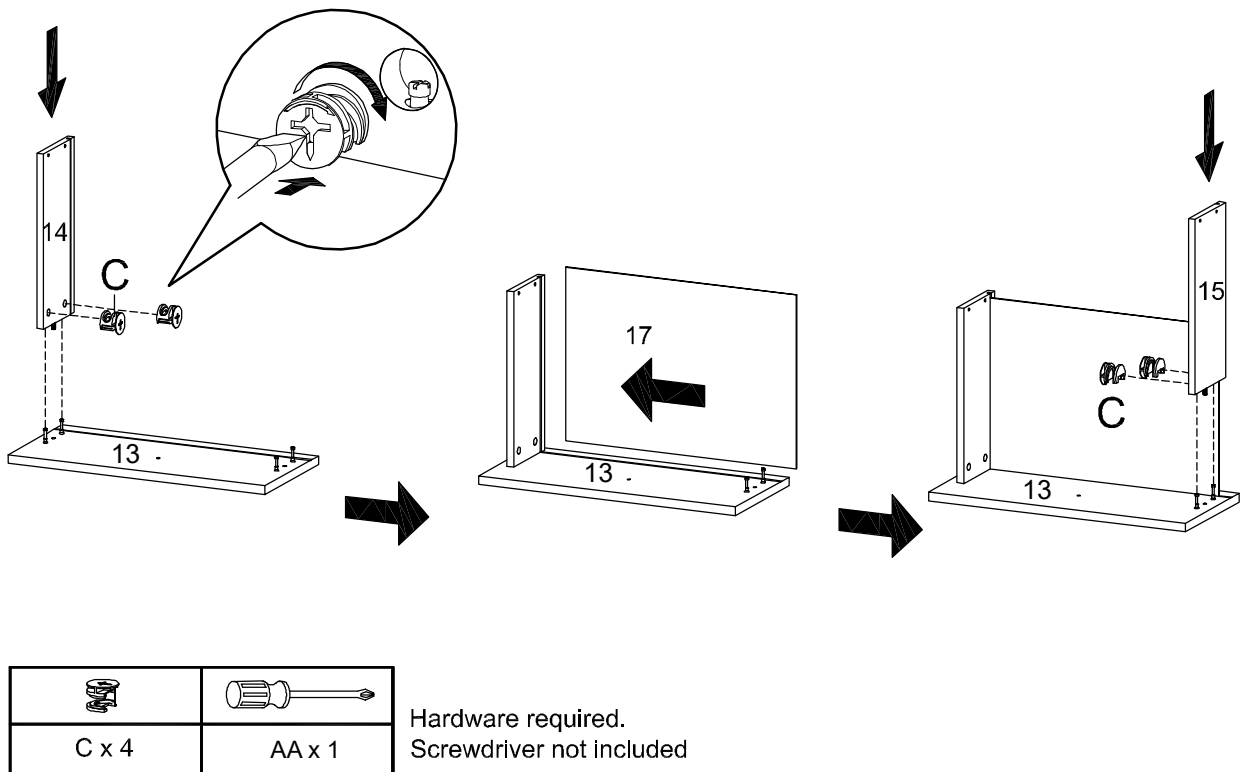
1 Bottom Board	x1	2 Side Board Left	x1	3 Side Board Right	x1	4 Center Board Left	x1
5 Center Board Right	x1	6 Bottom Drawer 2	x2	7 Adjustable Shelf	x2	8 Front Skirt 1	x1
9 Front Skirt 2	x1	10 Back Board 1	x1	11 Back Board 2	x1	12 Leg	x4
13 Front Drawer 1	x1	14 Side Drawer Left	x2	15 Side Drawer Right	x2	16 Back Drawer 1	x1
17 Bottom Drawer 1	x1	18 Wooden Door Left	x1	19 Wooden Door Right	x1	20 Fake Front Drawer	x1
21 Front Drawer 2	x1	22 Side Drawer Left 2	x1	23 Side Drawer Right 2	x1	24 Support Drawer 1	x1
25 Support Drawer 2	x1	26 Back Drawer 2	x2				

# CABINET

## STEP 1:

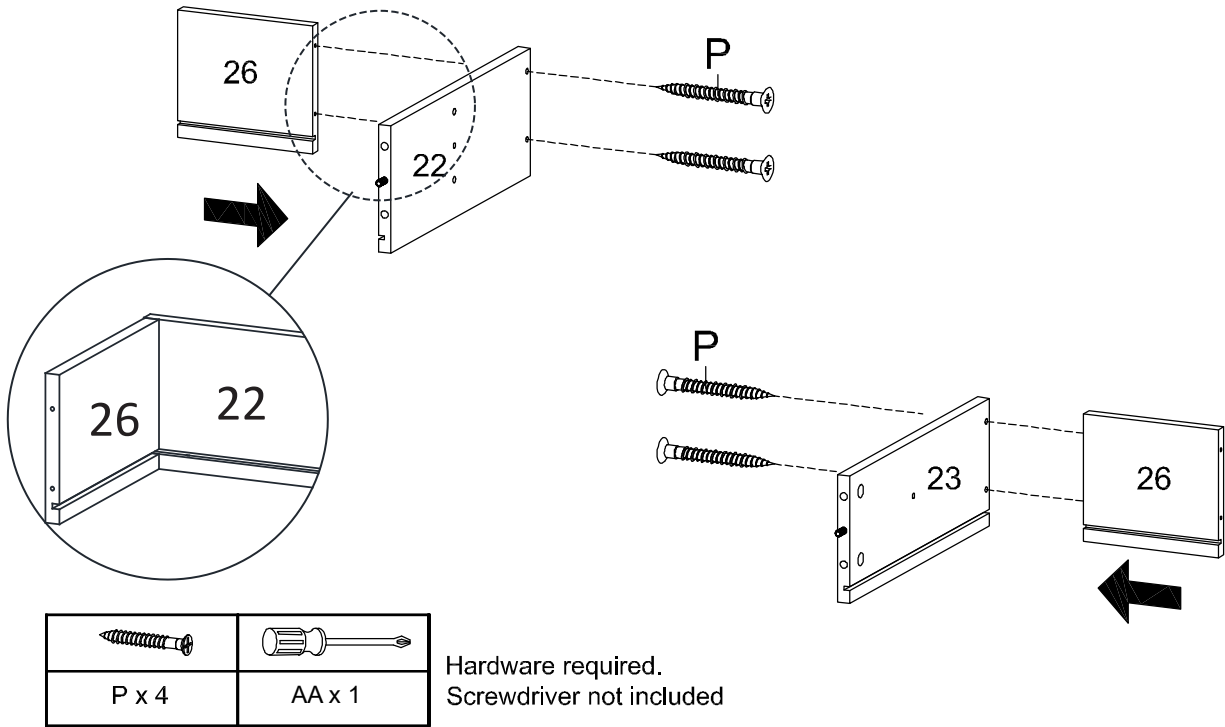


## STEP 2:

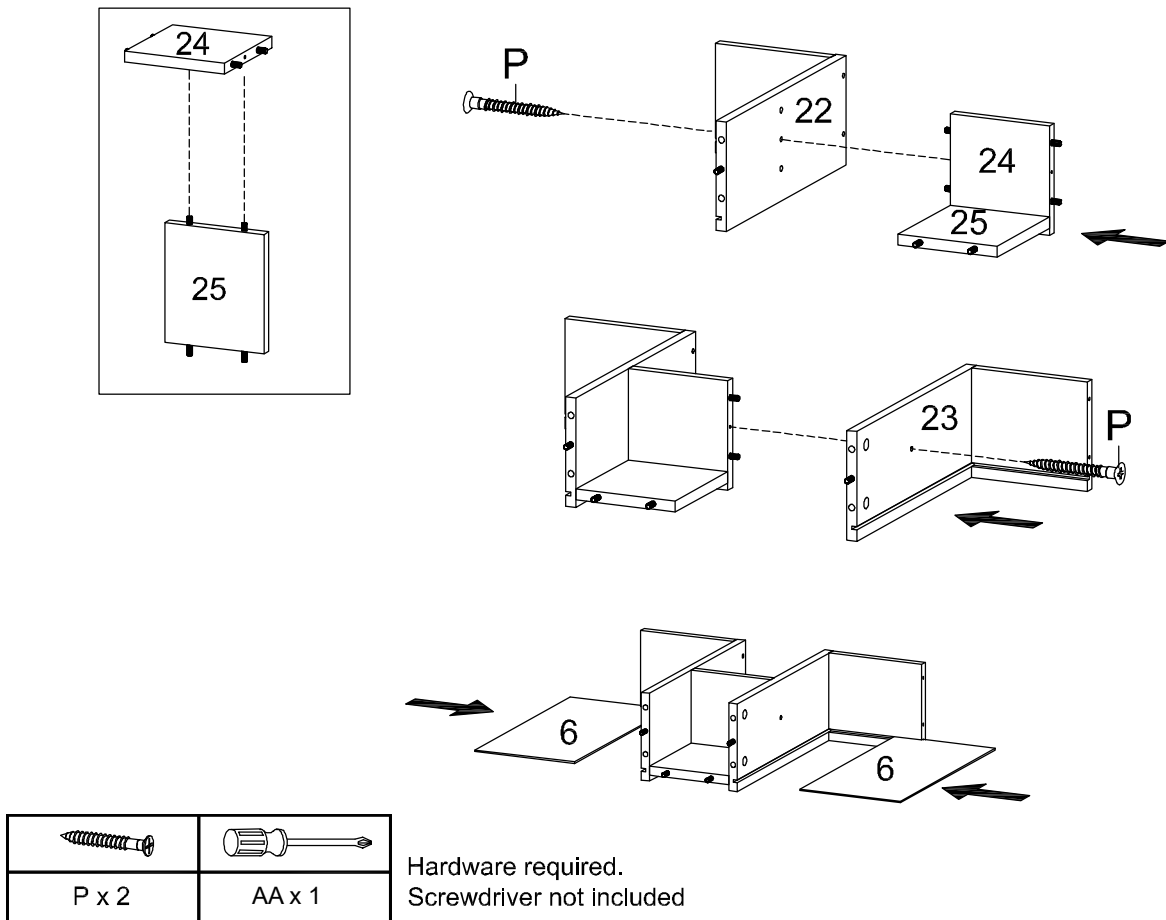


# CABINET

## STEP 3:

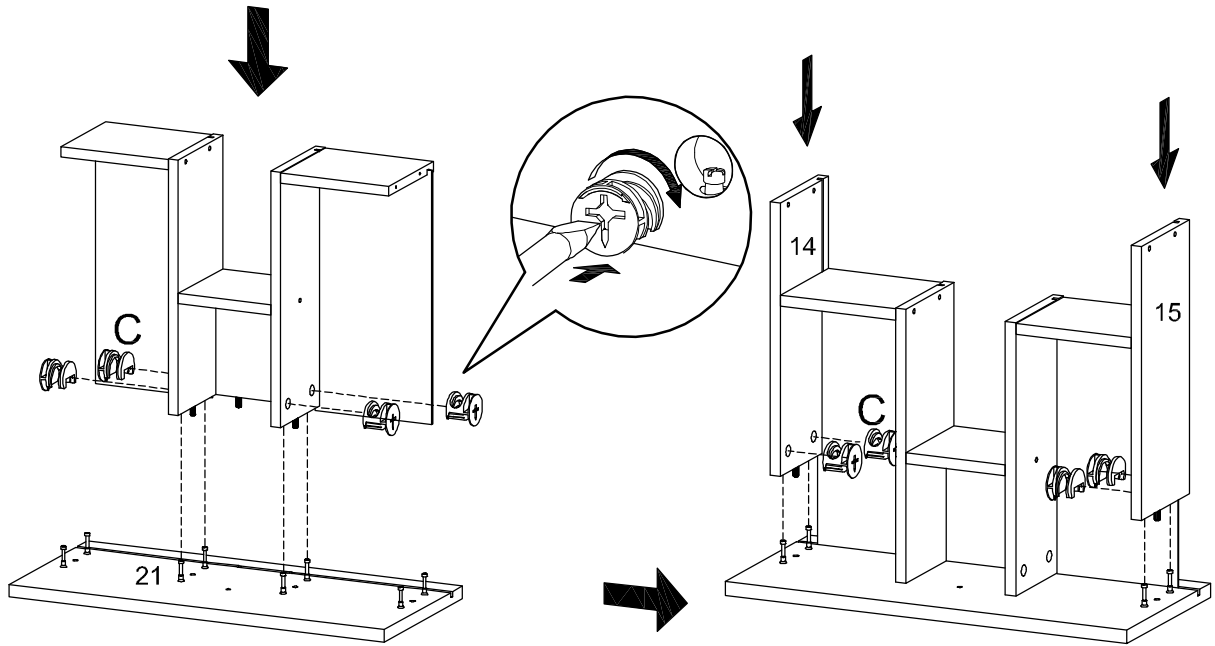



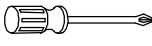
## STEP 4:



# CABINET

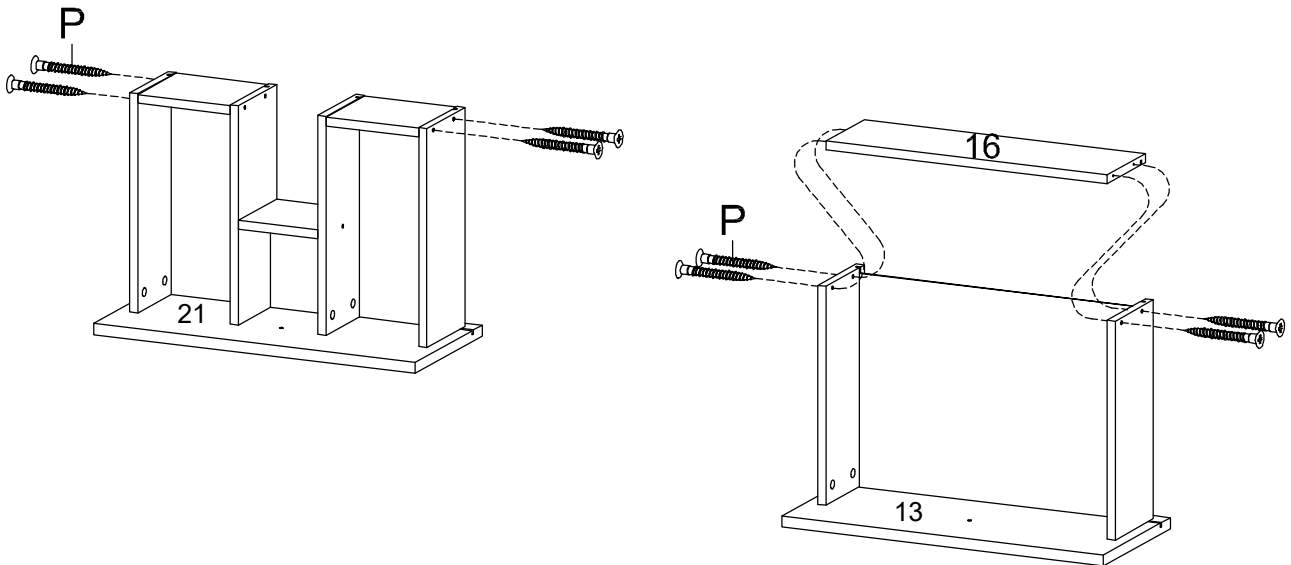
## STEP 5:


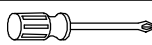


	
C x 8	AB x 1

Hardware required.  
Screwdriver not included

## STEP 6:

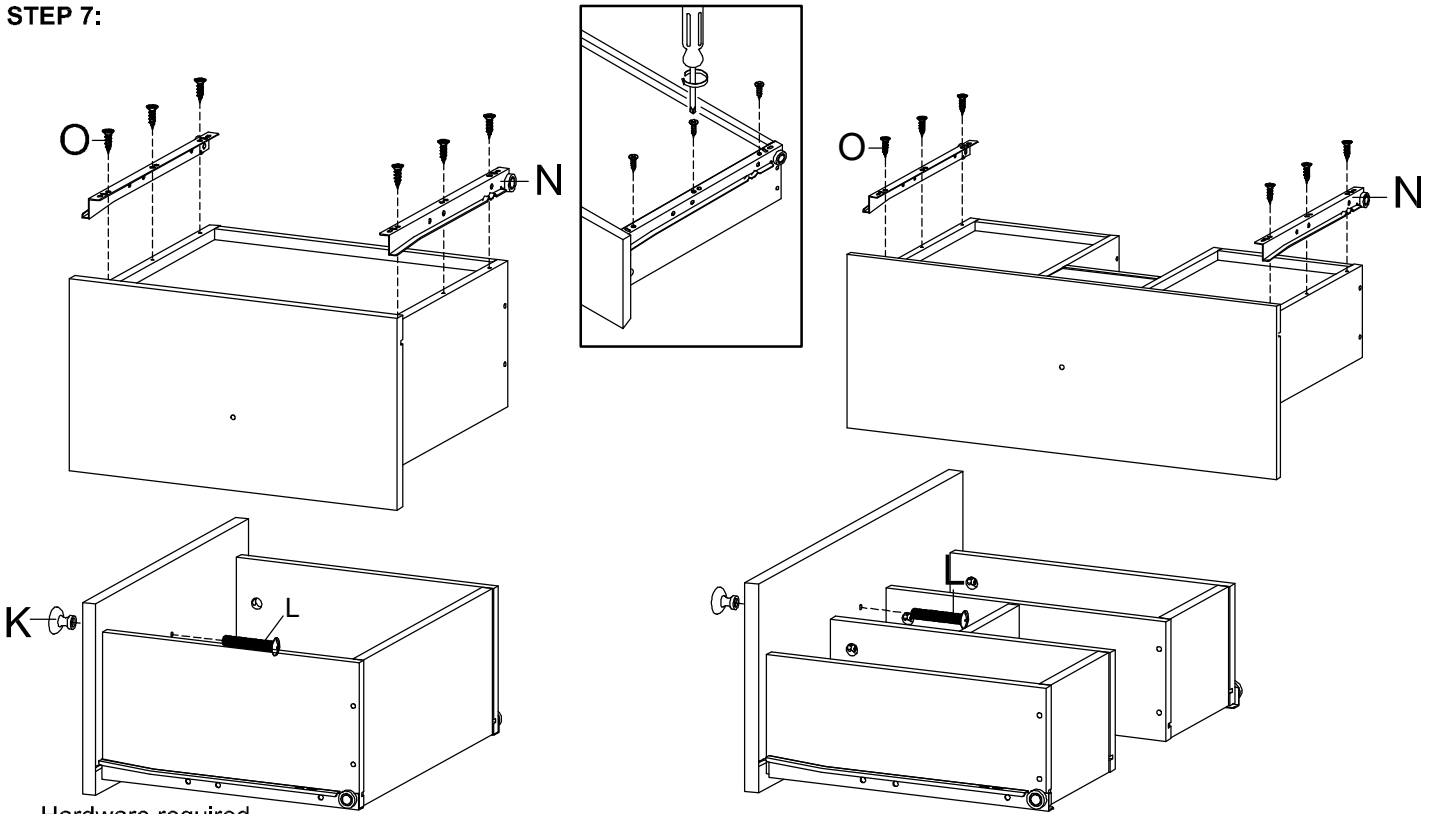


	
P x 8	AA x 1


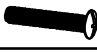
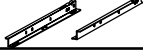

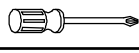
Hardware required.  
Screwdriver not included

# CABINET

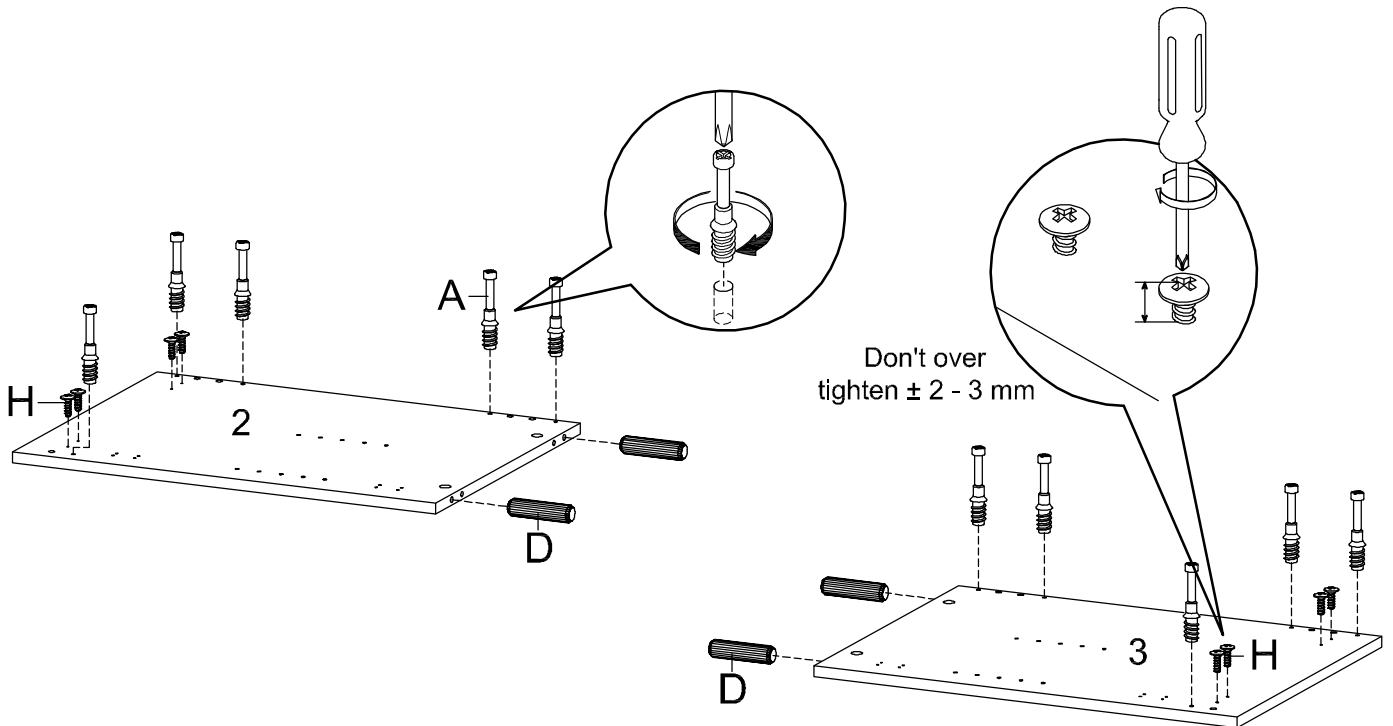
## STEP 7:

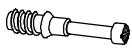


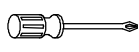


Hardware required.  
Screwdriver not included

				
K x 2	L x 2	N x 2	O x 12	AA x 1

## STEP 8:

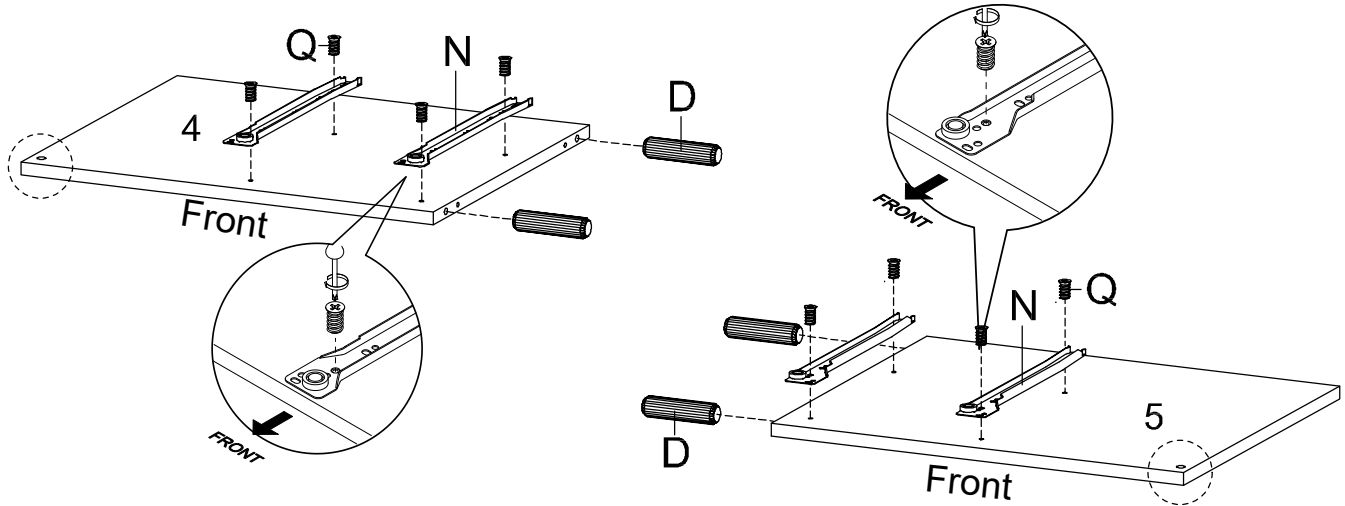





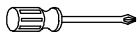
			
A x 10	D x 4	H x 8	AA x 1

Hardware required.  
Screwdriver not included

# CABINET

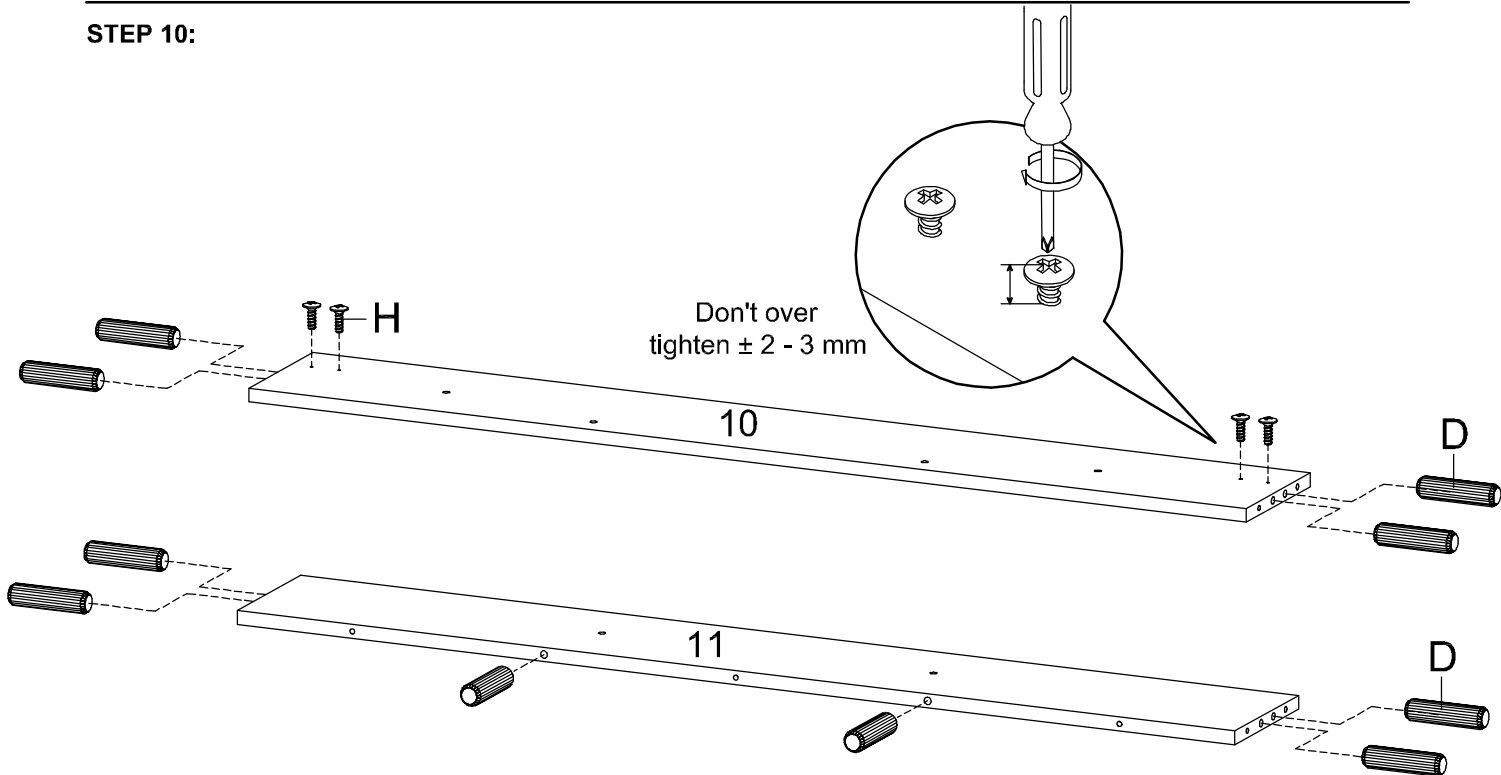
## STEP 9:



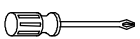


			
D x 4	N x 2	Q x 8	AA x 1

Hardware required.  
Screwdriver not included

## STEP 10:

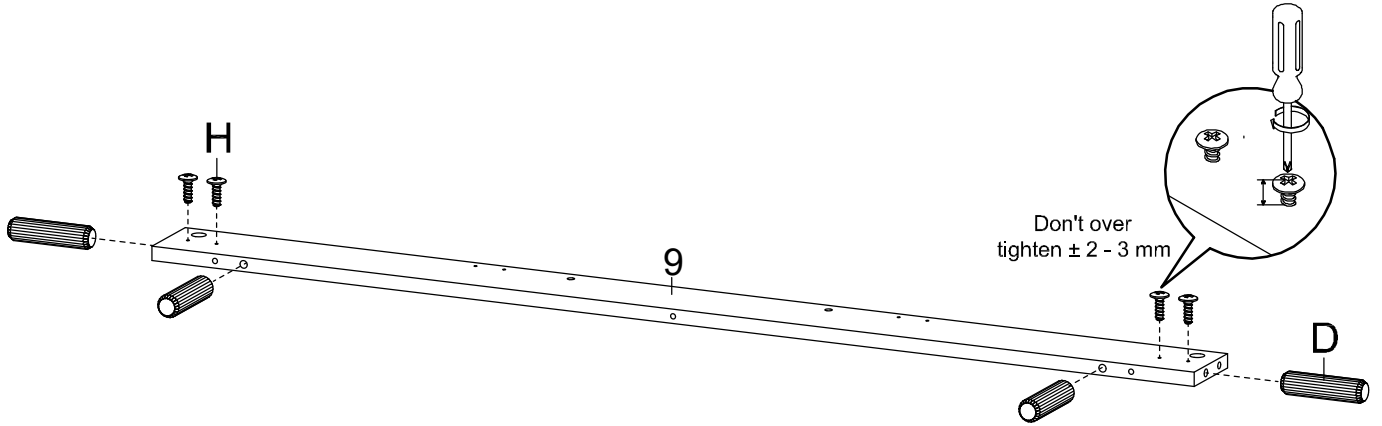




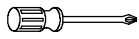
		
D x 10	H x 4	AA x 1

Hardware required.  
Screwdriver not included

# CABINET

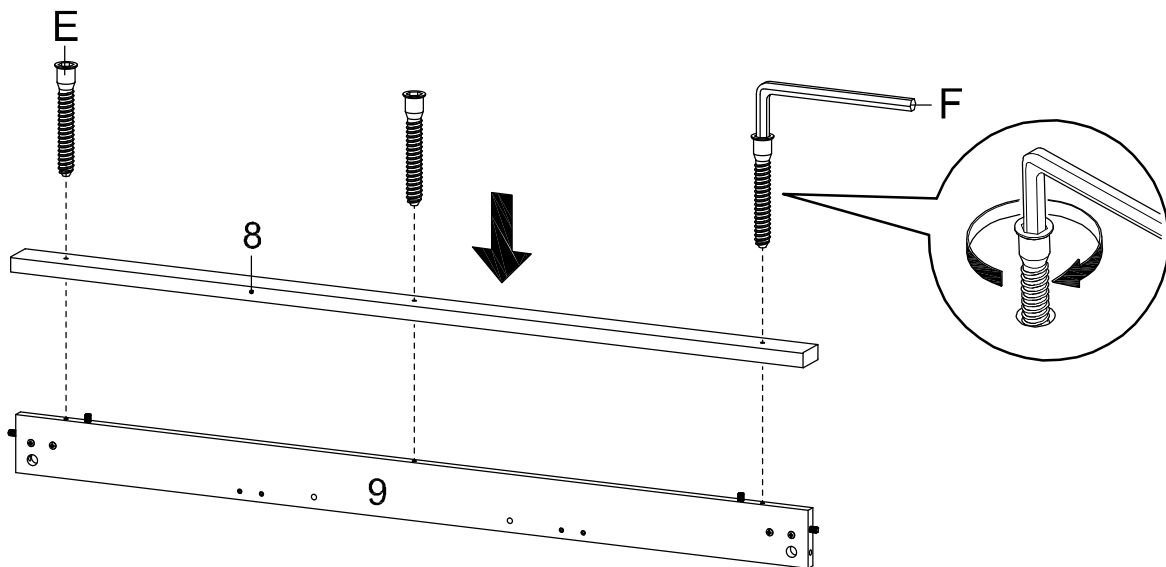
## STEP 11:





		
D x 4	H x 8	AA x 1

Hardware required.  
Screwdriver not included

## STEP 12:

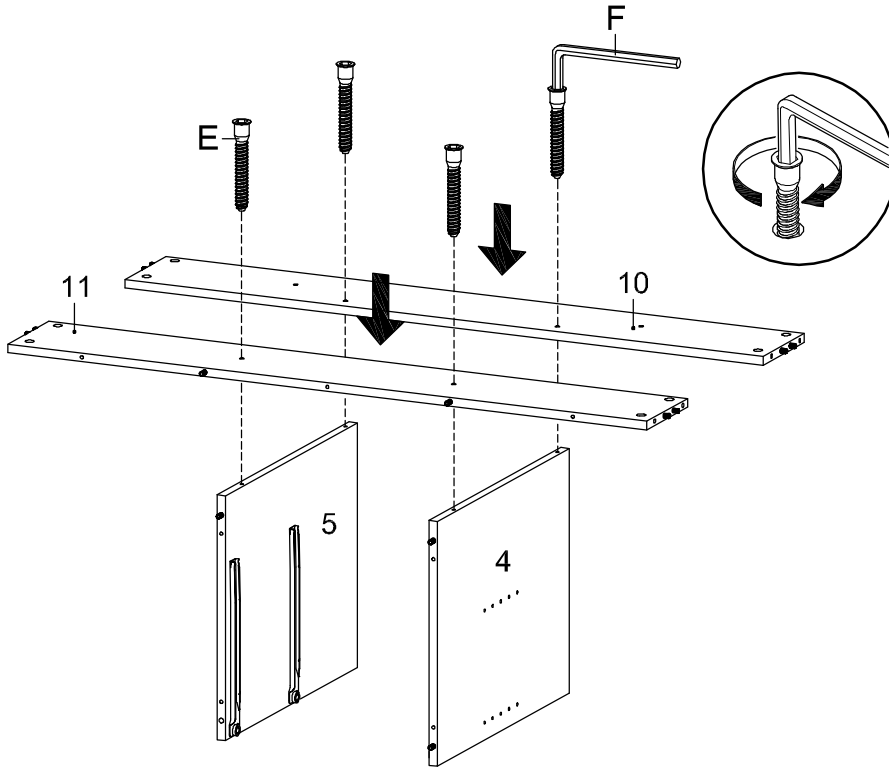




	
E x 3	F

Screwdriver not included

# CABINET

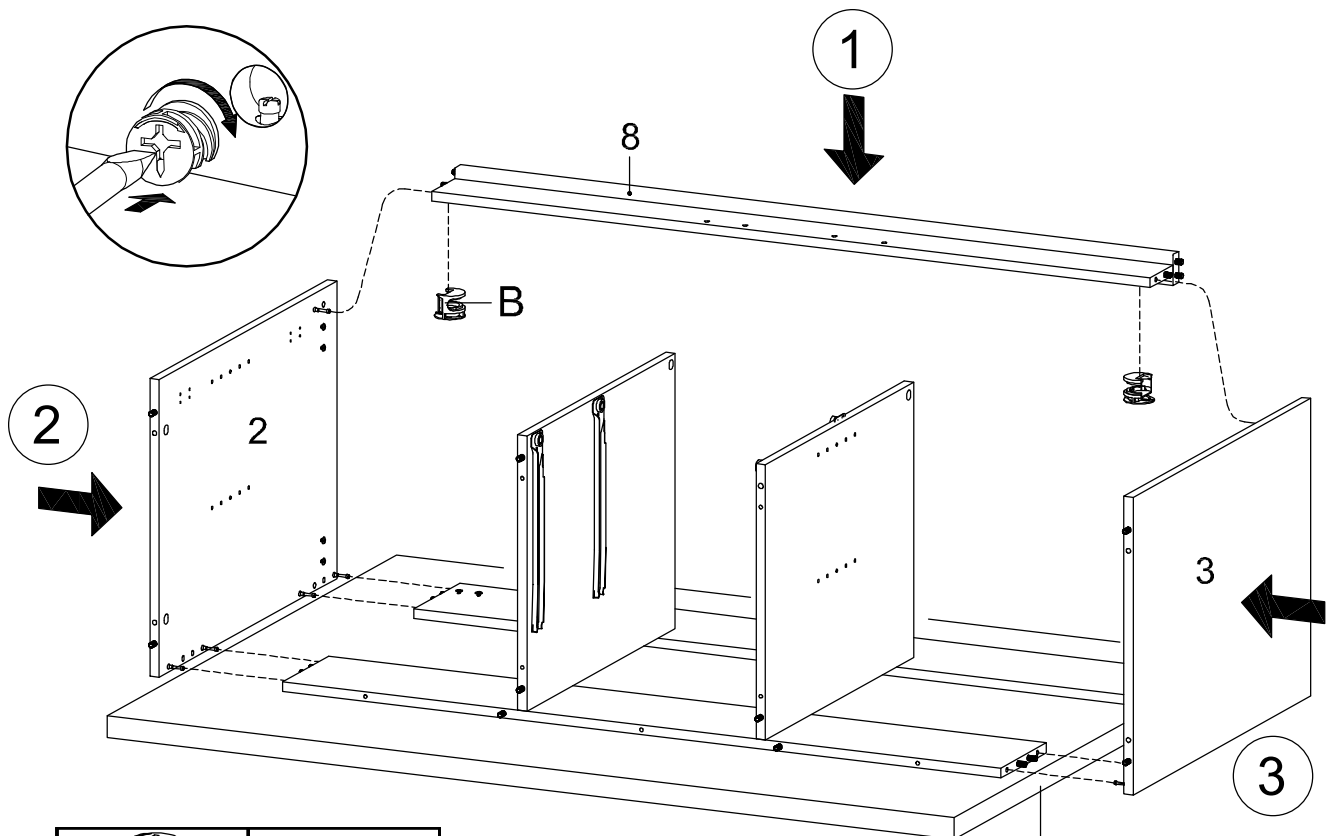
## STEP 13:


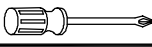


	
E x 4	F x 1

Hardware required.

## STEP 14:



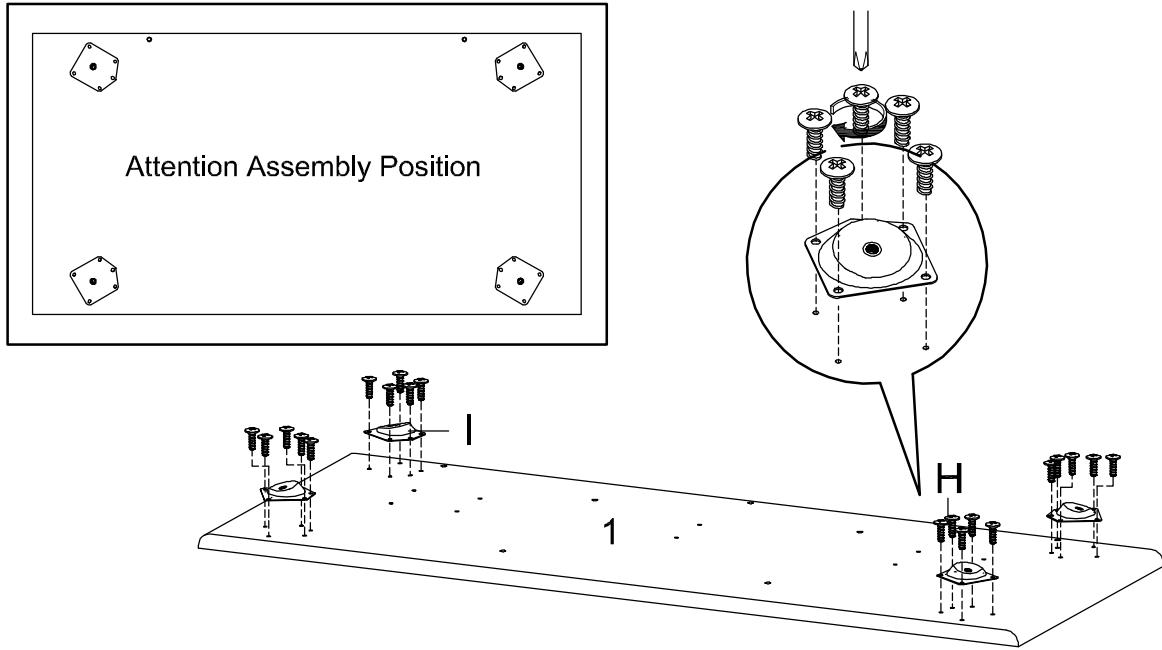
	
B x 2	AA x 1



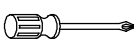
Hardware required.  
Screwdriver not included

STYROFOAM

# CABINET

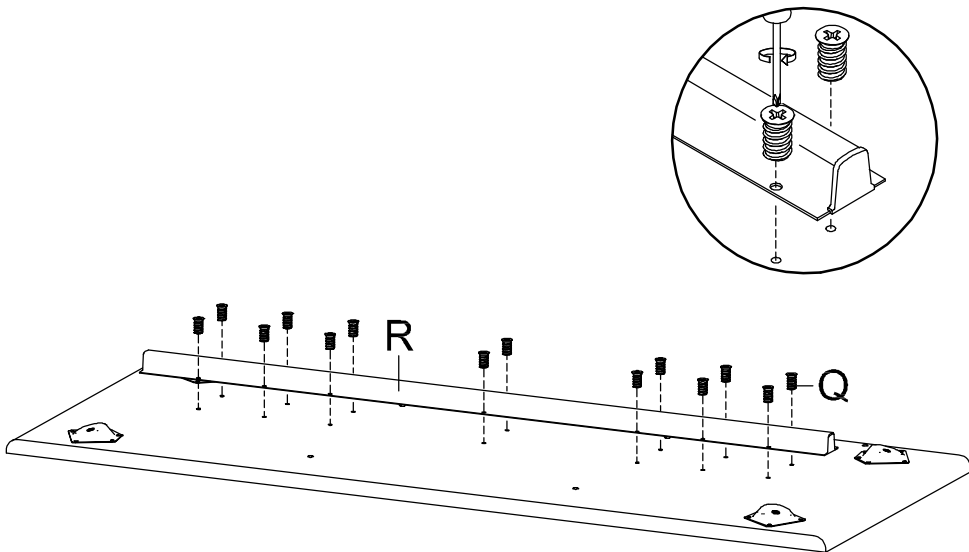
## STEP 15:


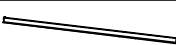
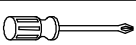


		
H x 20	I x 4	AA x 1

Hardware required.  
Screwdriver not included

## STEP 16:

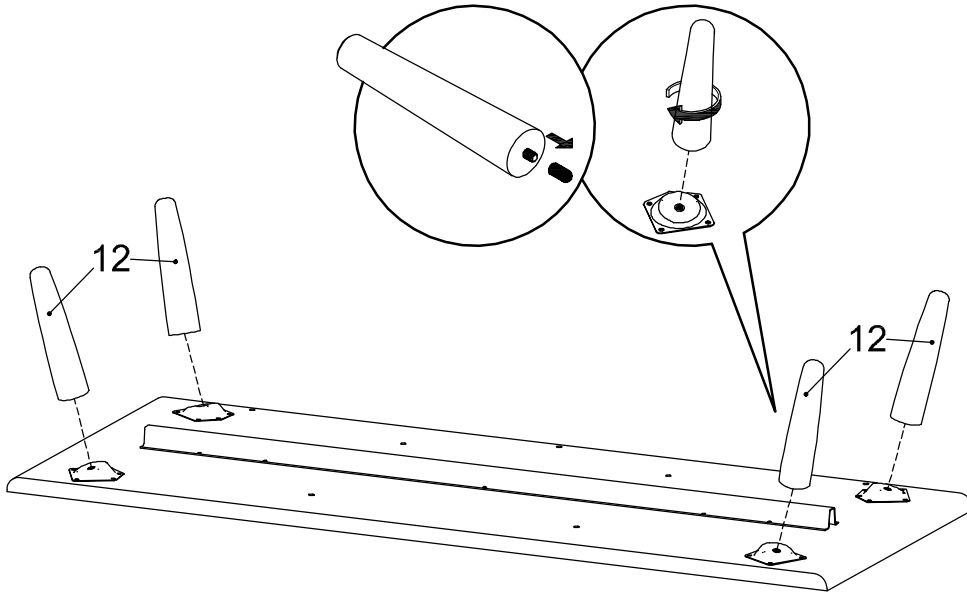


		
Q x 14	R x 1	AA x 1

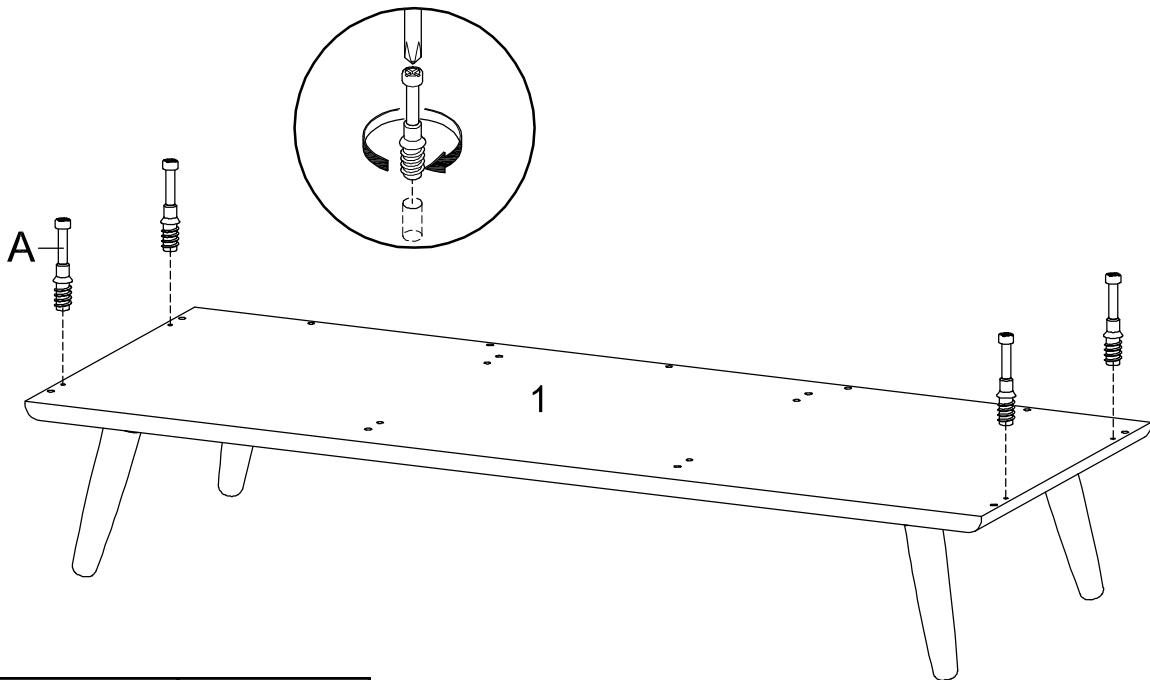
Hardware required.  
Screwdriver not included


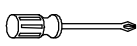
# CABINET

## STEP 17:



## STEP 18:

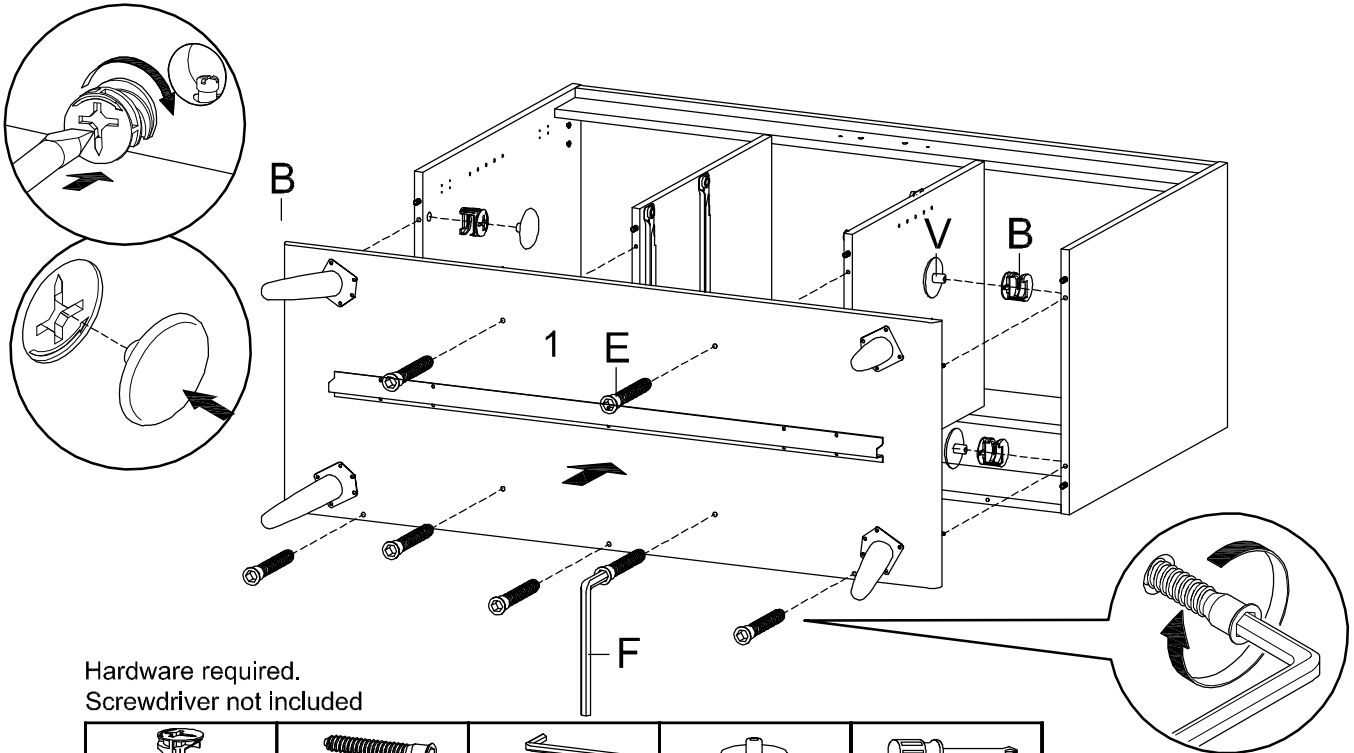


	
A x 4	AA x 1





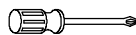
Hardware required.  
Screwdriver not included

# CABINET

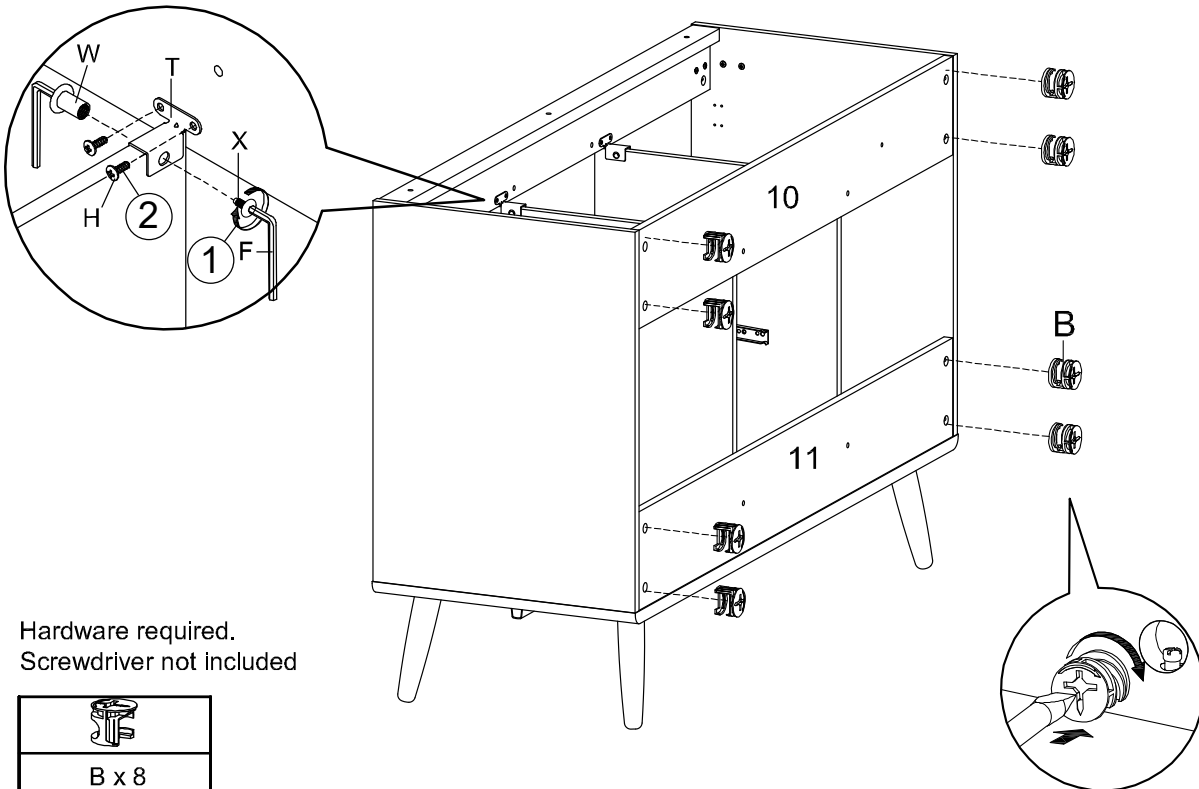
## STEP 19:








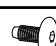
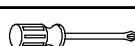
Hardware required.  
Screwdriver not included

				
B x 4	E x 7	F	V x 4	AA x 1

## STEP 20:

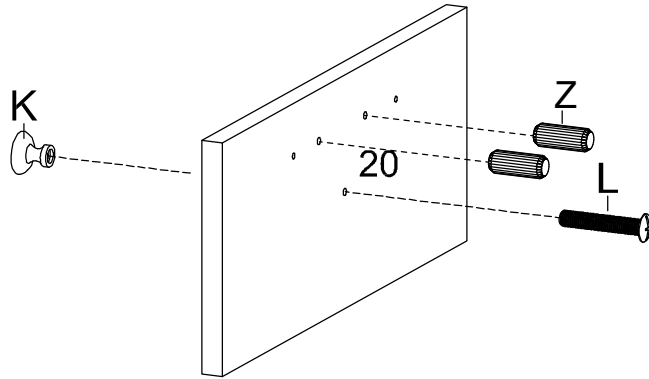





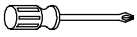
Hardware required.  
Screwdriver not included

					
B x 8					
					
H x 4	F x 2	T x 2	W x 2	X x 2	AA x 1

# CABINET

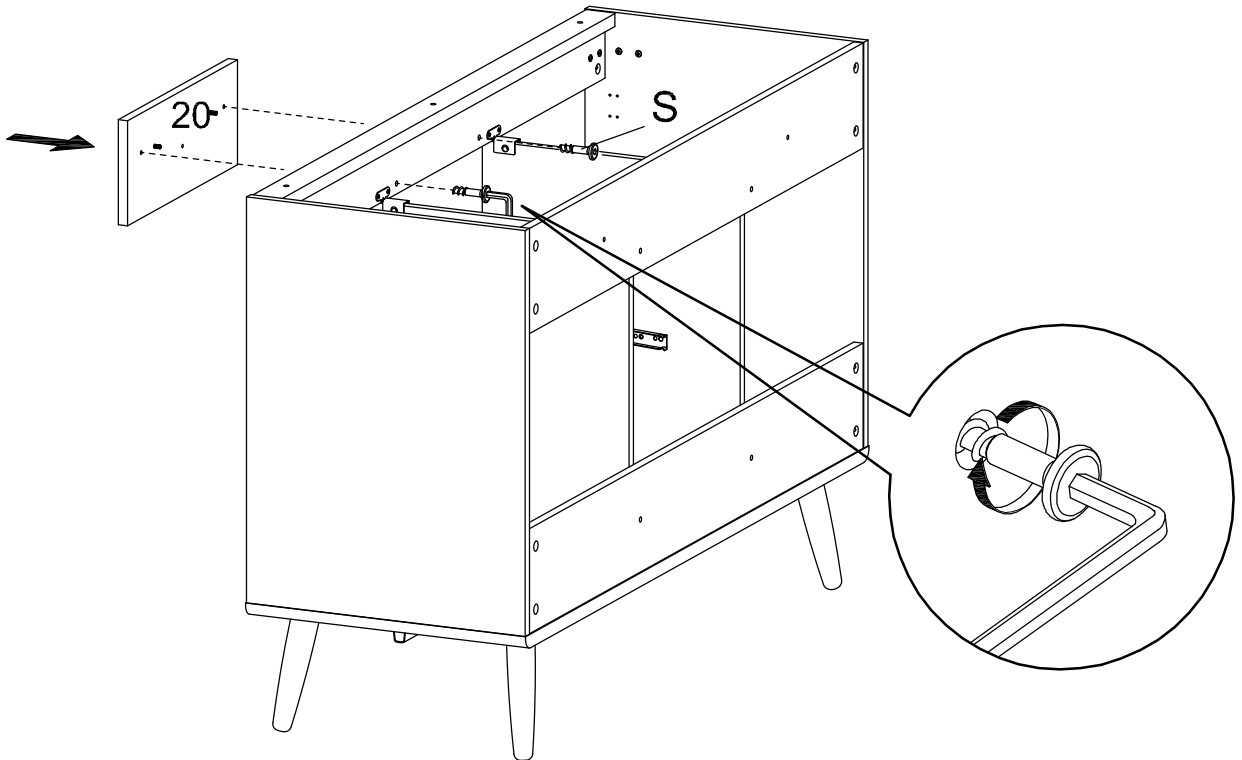
## STEP 21:





			
K x 1	L x 1	Z x 2	AA x 1

Hardware required.  
Screwdriver not included

## STEP 22:

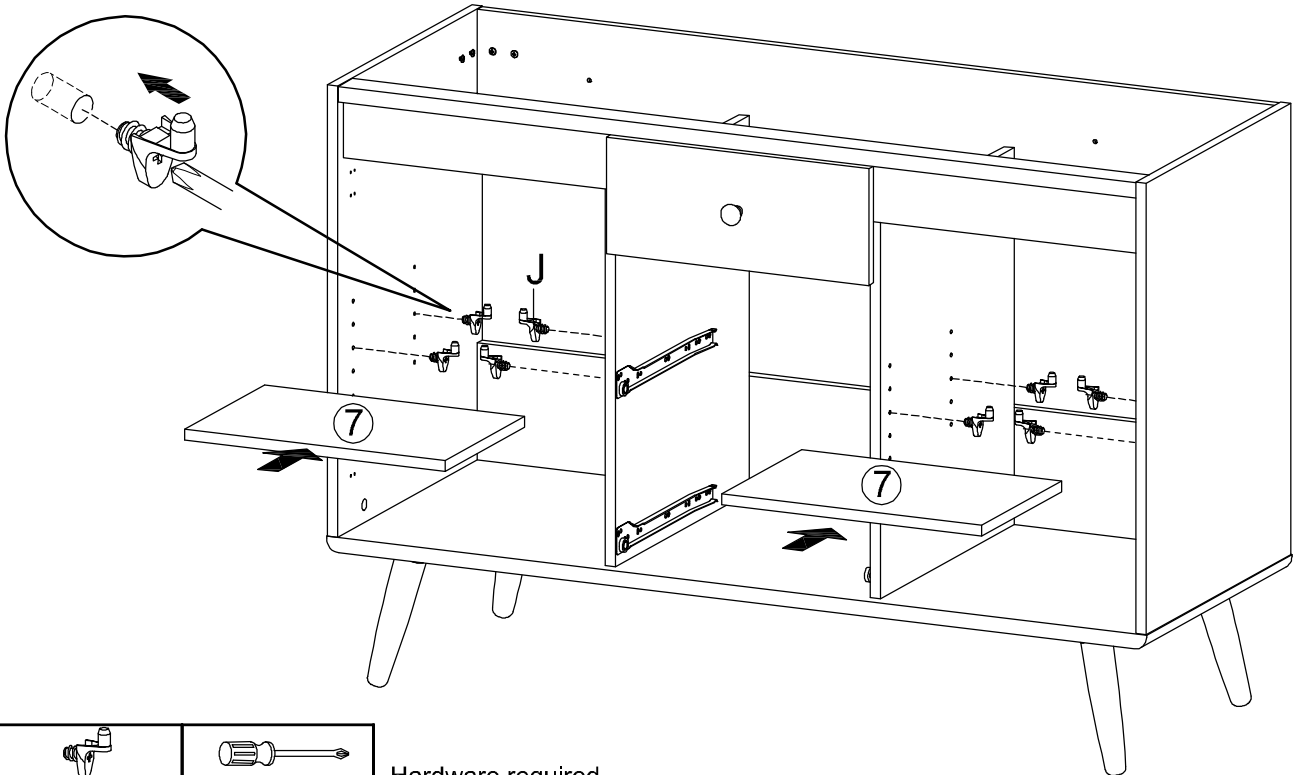



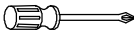
	
F	S x 2

Screwdriver not included

# CABINET

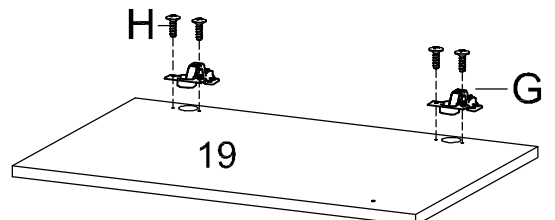
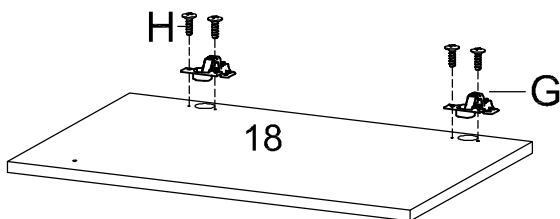
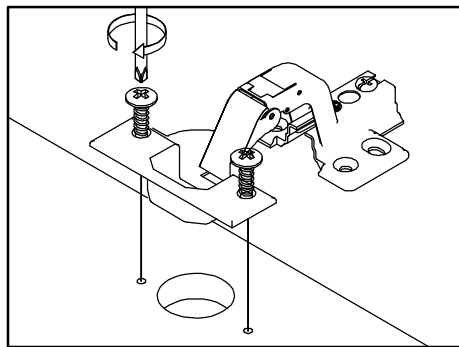
## STEP 23:





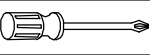
	
J x 8	AA x 1

Hardware required.  
Screwdriver not included

## STEP 24:

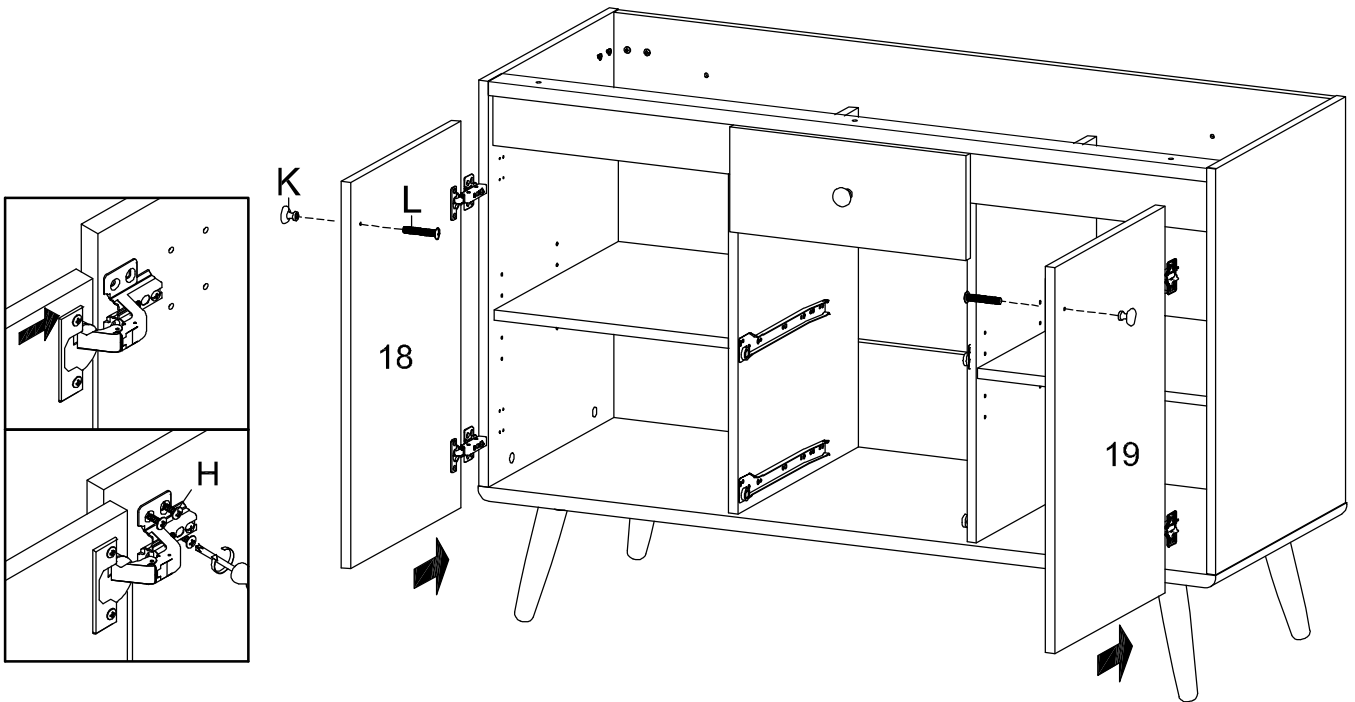





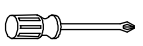
Hardware required.  
Screwdriver not included

		
G x 4	H x 8	AA x 1

# CABINET

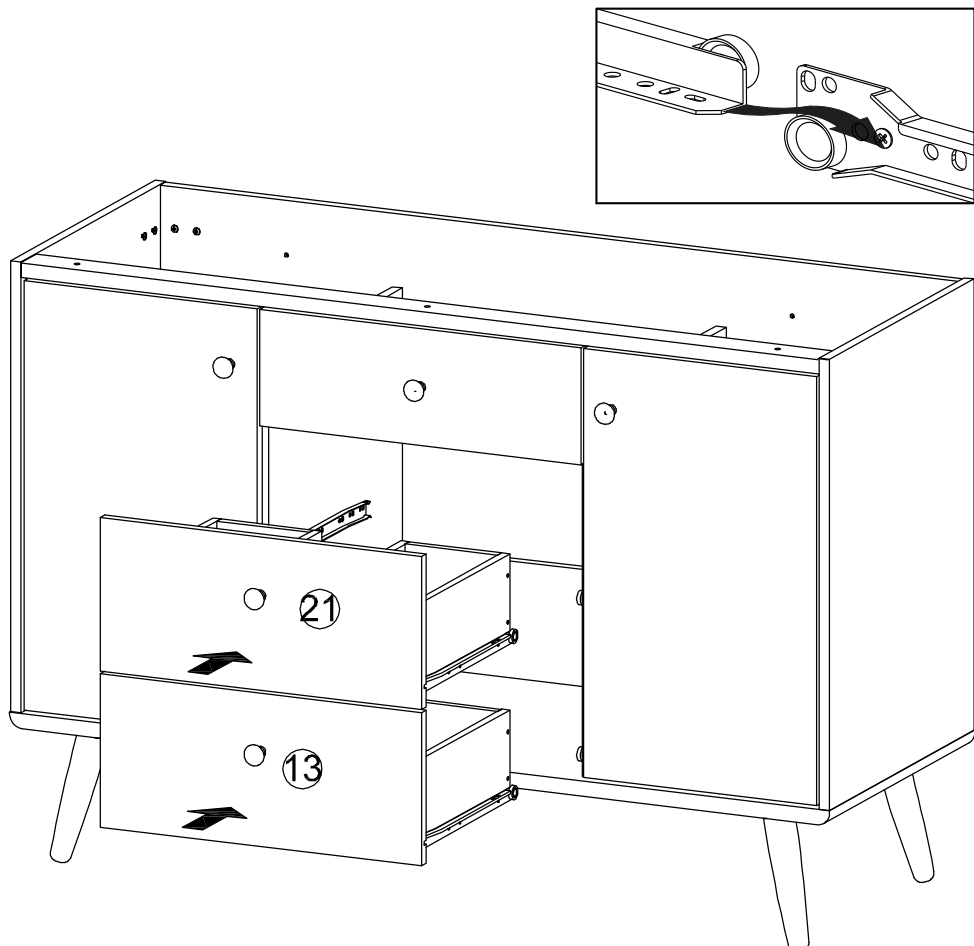
## STEP 25:



			
H x 16	K x 2	L x 2	AA x 1

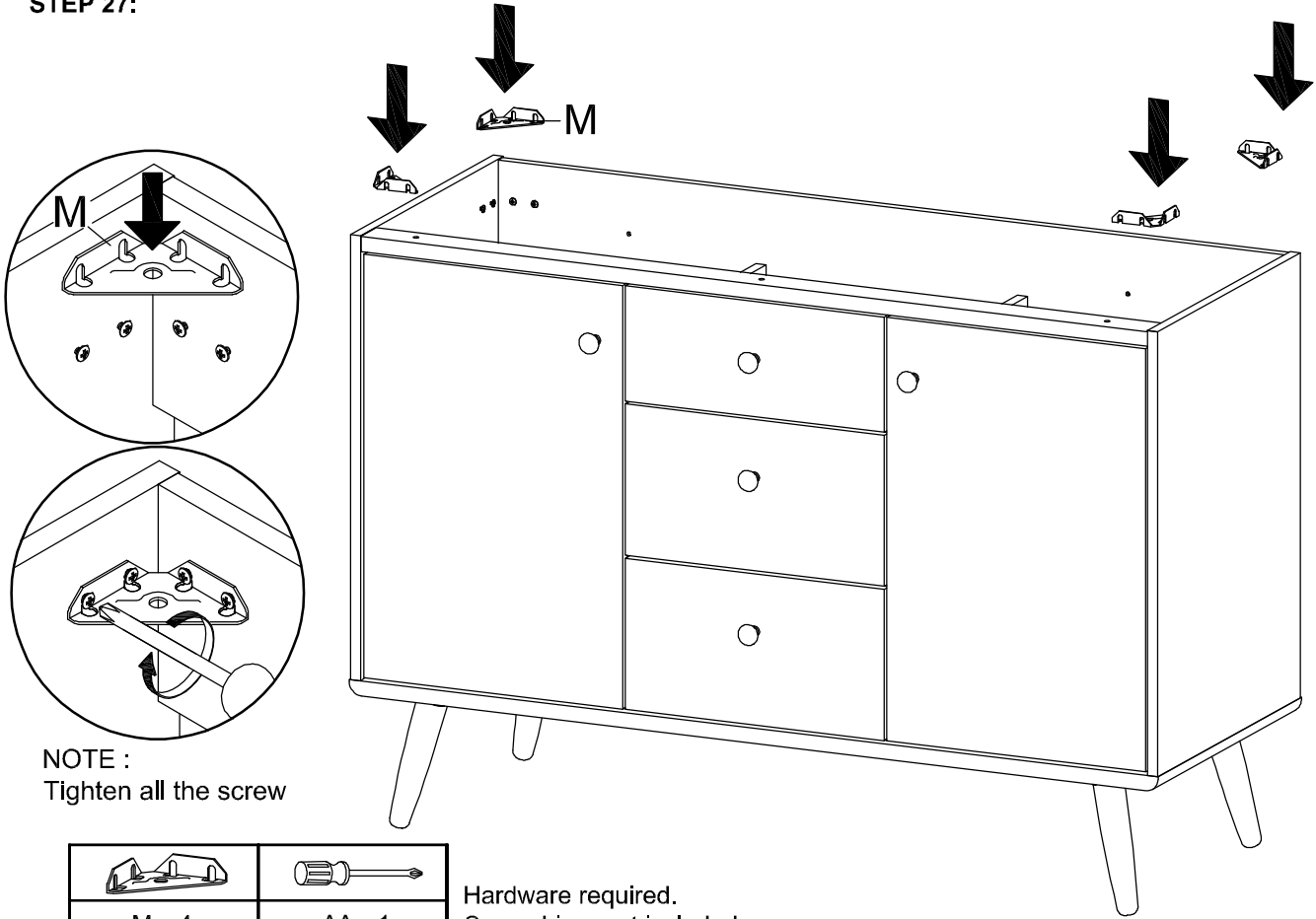
Hardware required.  
Screwdriver not included

## STEP 26:



# CABINET

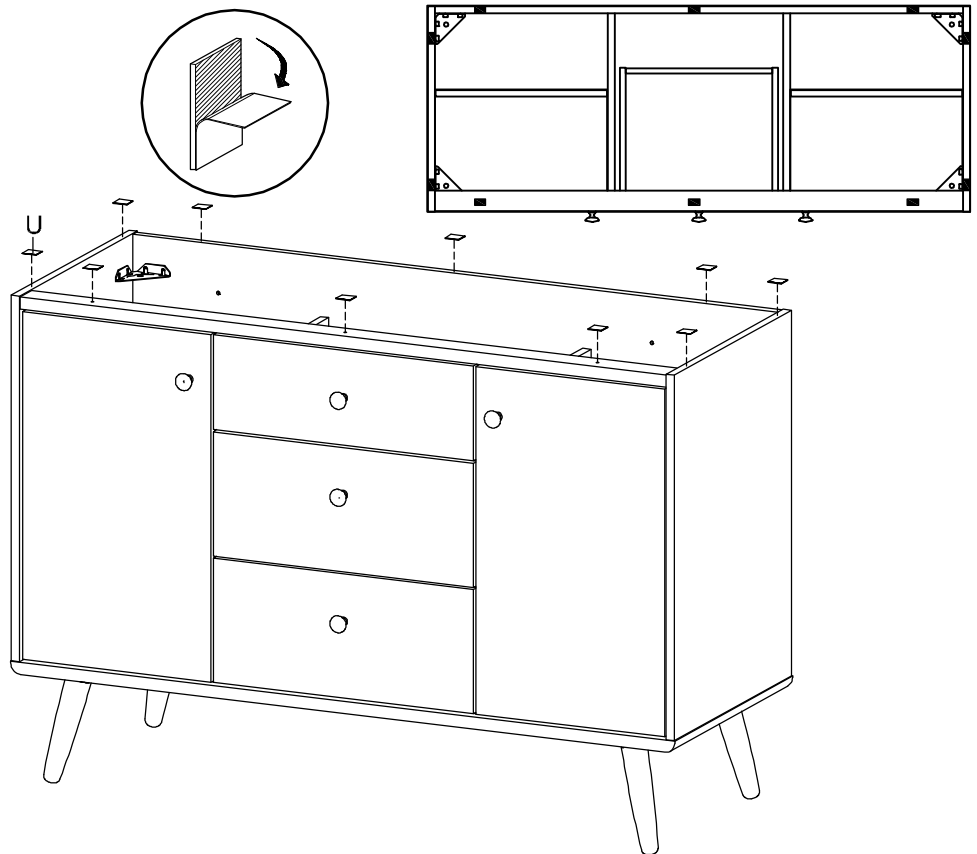
## STEP 27:




NOTE :  
Tighten all the screw

## TOP VIEW

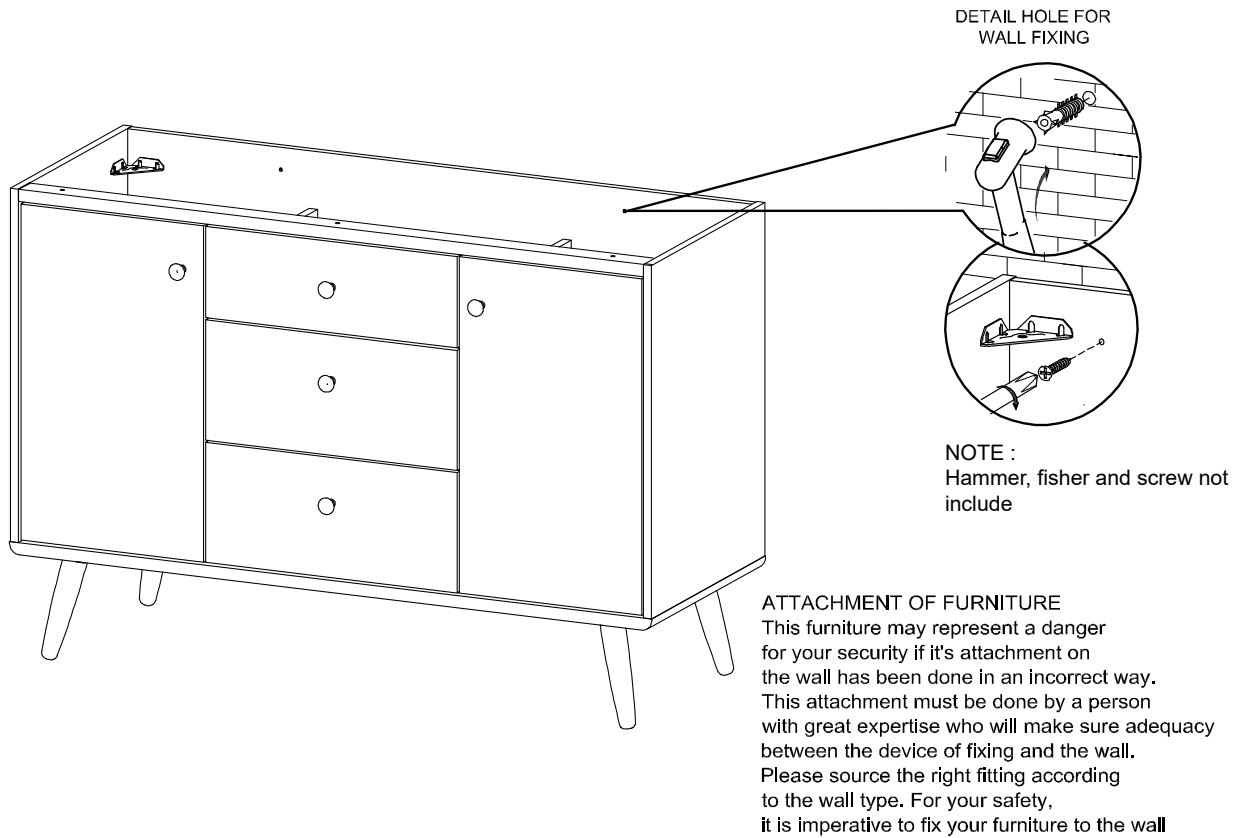
## STEP 28:



	Hardware required.
U x 10	

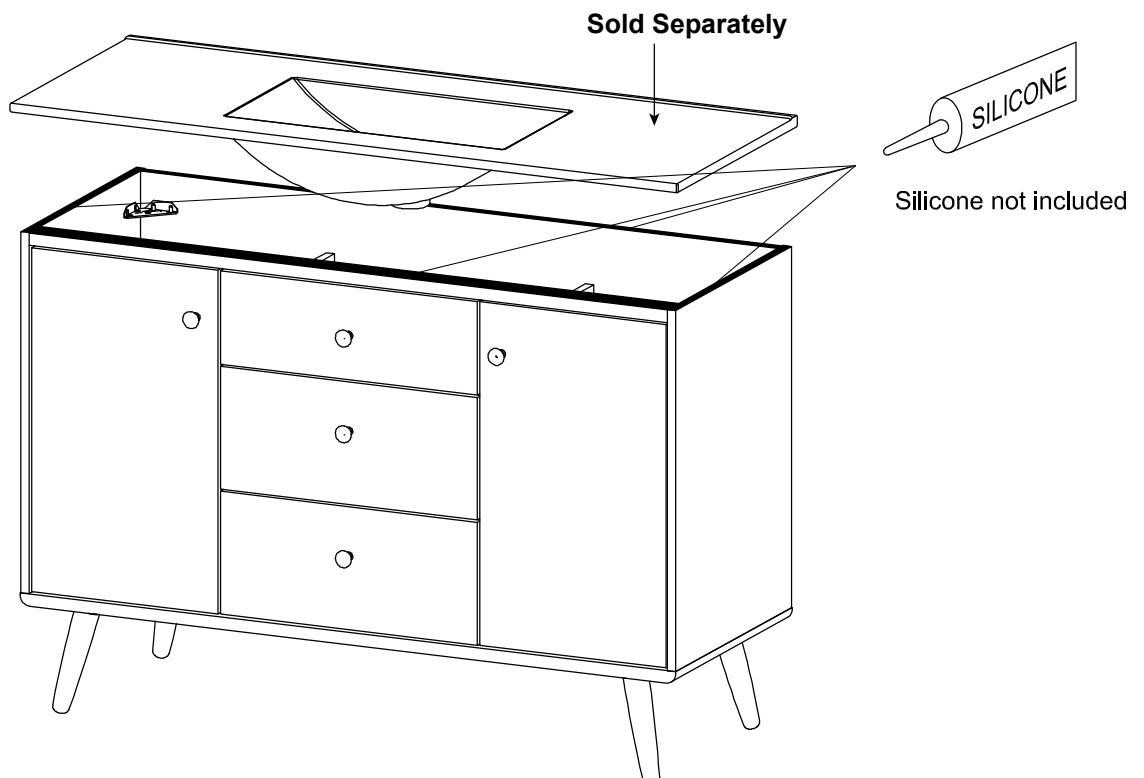
## CABINET

### STEP 29:



### STEP 30:

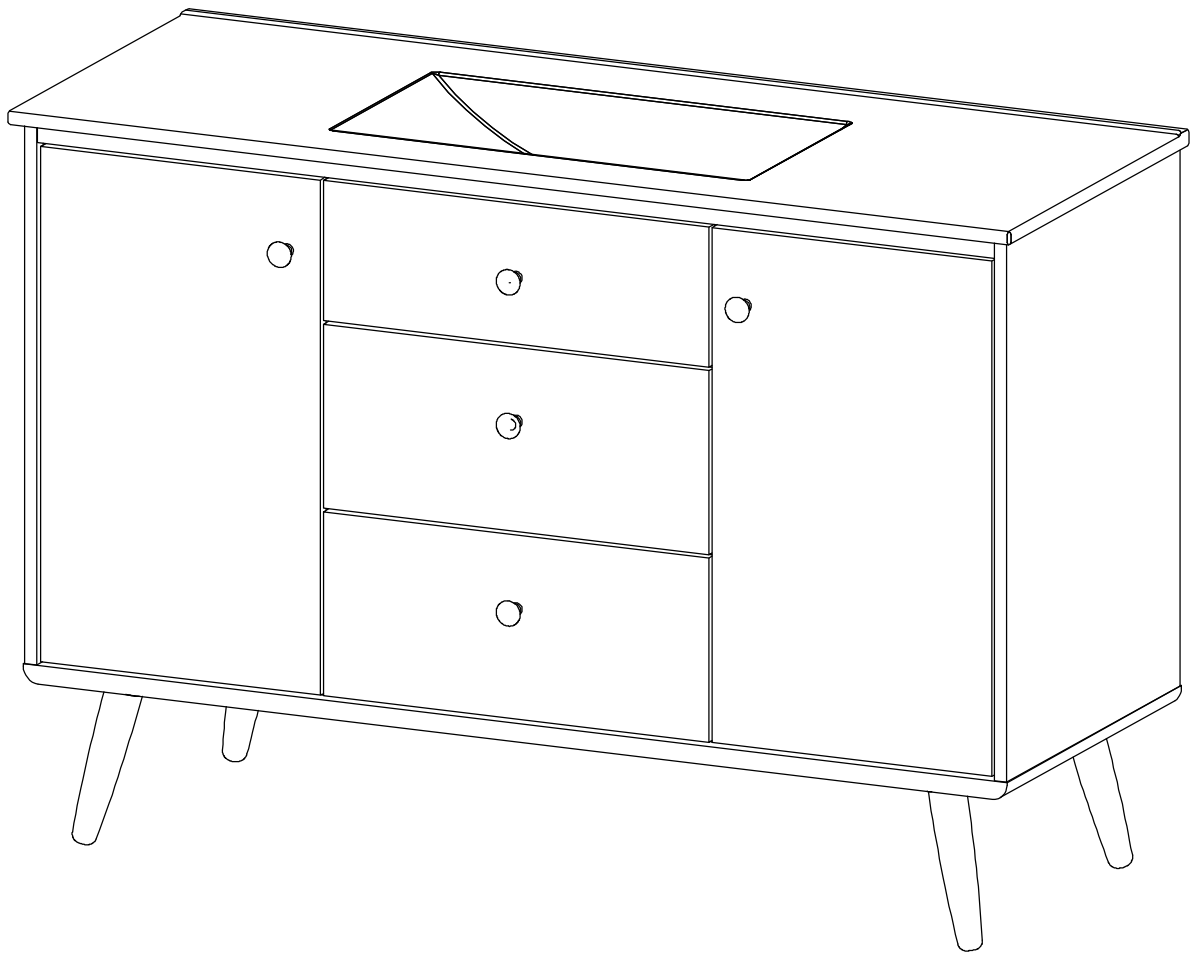
Apply a thin bead of silicone compound around the vanity base and set the vanity top carefully in place. Remove any excess silicone compound with a wet rag



## CABINET

---

**STEP 31:**



**Assembly is complete. The Cabinet is ready to enjoy now !**