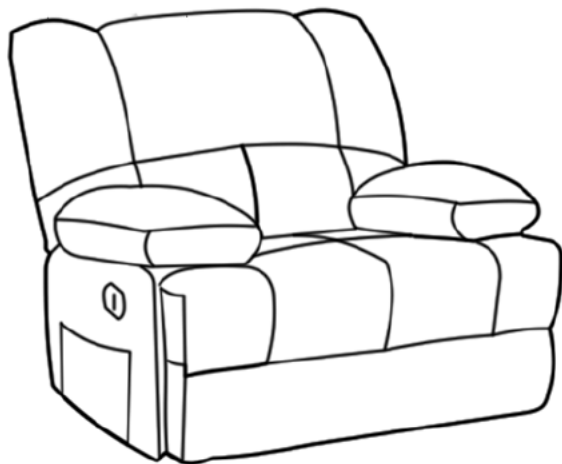
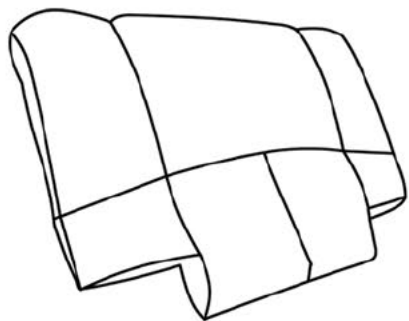


Assembly Manual

Recliner

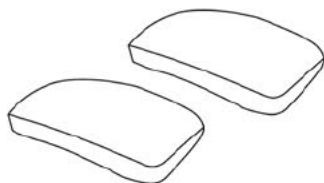


A. Backrest

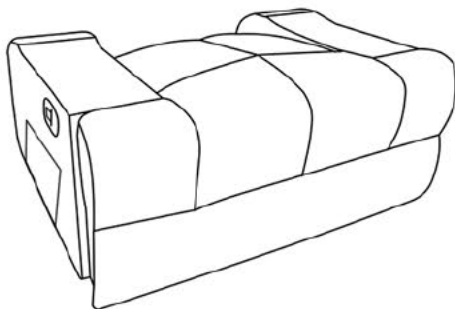


B. Armrest

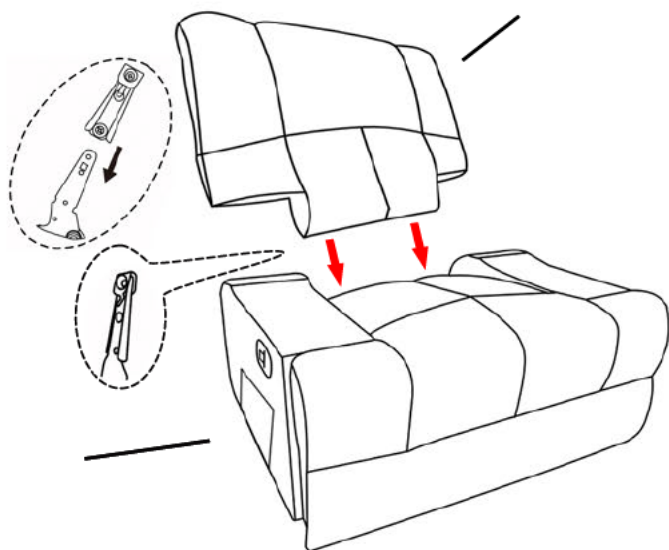
Attention: Remove the armrests(B) from the bottom of the seat before assembly.



C. Seat



Step 1: Remove the packing material first and then insert the backrest to the seat as shown in the diagram below.



Step 2: Attach the armrest to the seat using the zipper. Then fit the Velcro backing over the Velcro fuzzy side of the armrest and secure in place.

