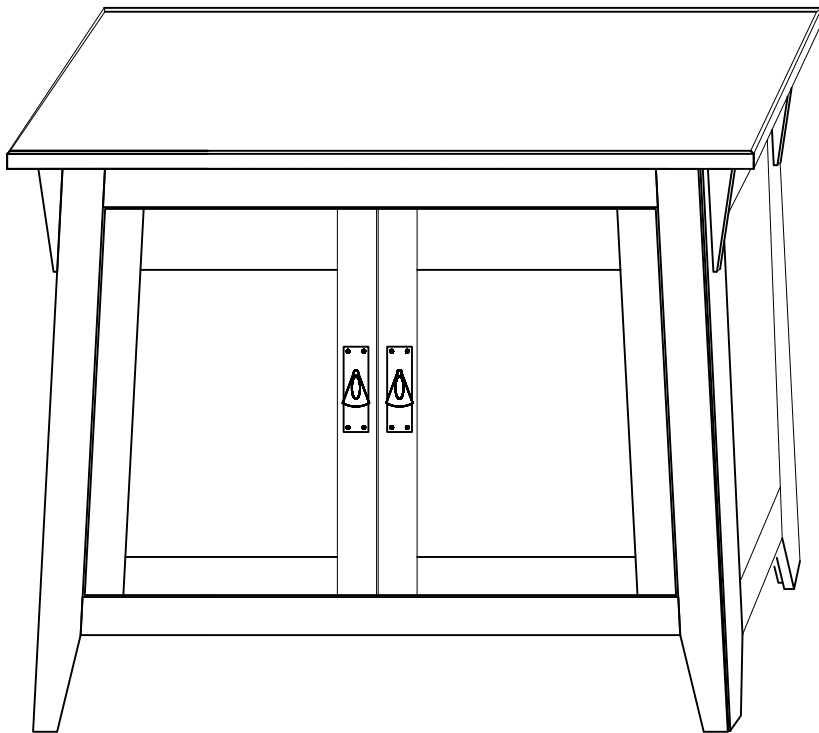

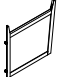
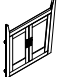


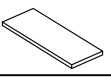




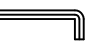


Assembly Instructions

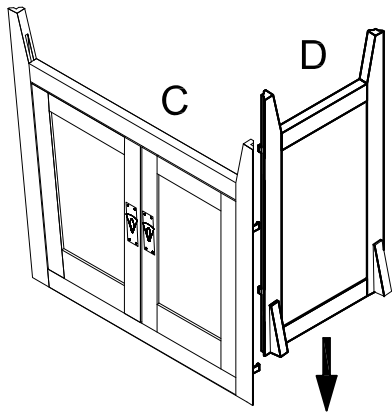
Thank you for purchasing our products.
Contact customer service for comments or concerns.

Mission Foyer Cabinet/Hall Stand

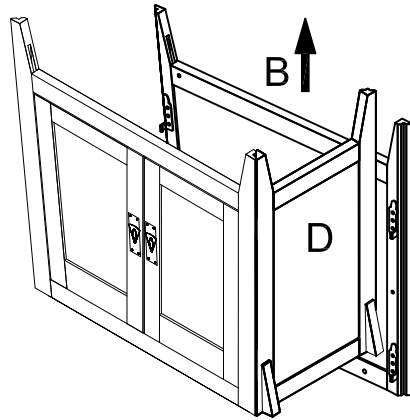


A: Top Assembly	
B: Back Frame	
C: Front Frame	
D: (2) Side Frames	
E: Bottom Panel	
F: Middle Shelf	
G: (8) Shelf Supports	
H: (6) Bolts	
I: (6) Flat Washers	
J: (6) Lock Washers	
K: Allen Wrench	

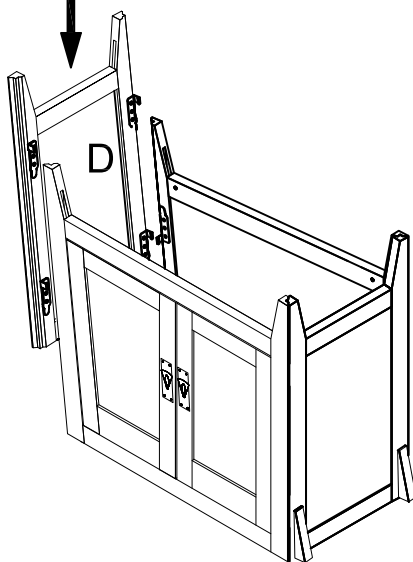
Step 1
Assemble upside down. Put one Side frame (D) to the Front frame (C) making sure both corner fasteners line up. Tap down with your hand or a light tap with a hammer should do it.



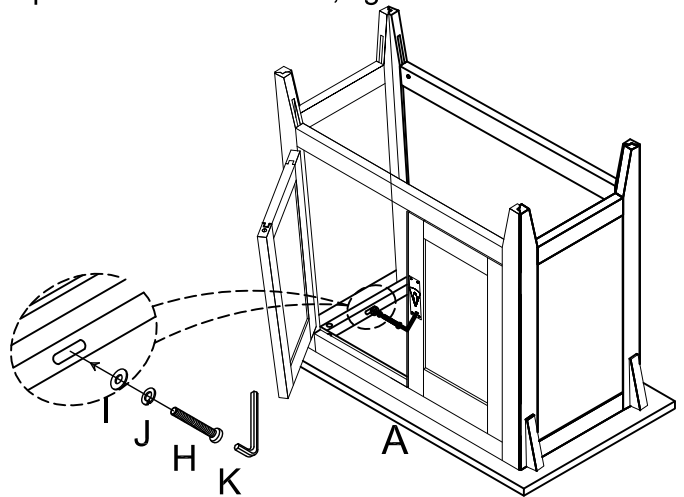
Step 2
Do the same as step one with the Back frame (B) to the Side frame (D).



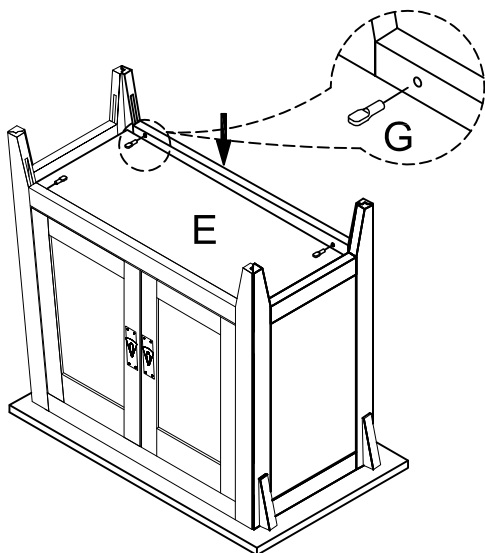
Step 3
Line up the four corner fasteners of the other Side frame (D) and tap that down.



Step 4
Put the top (A) upside down on a soft surface. Place the above side (front, back, and frame assembly) onto the top. Insert all the bolts through the cleats on the top into the table frames, tighten.



Step 5
Place the bottom panel (E) into the table. It will rest on the corner fasteners. Insert shelf supports into holes.



Step 6
Turn the cabinet upright, then insert the shelf supports and shelf in through the door.

