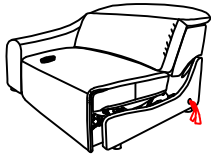


ASSEMBLY INSTRUCTION

Alondra Power Recliner LAF PC

Components



Body
A x1



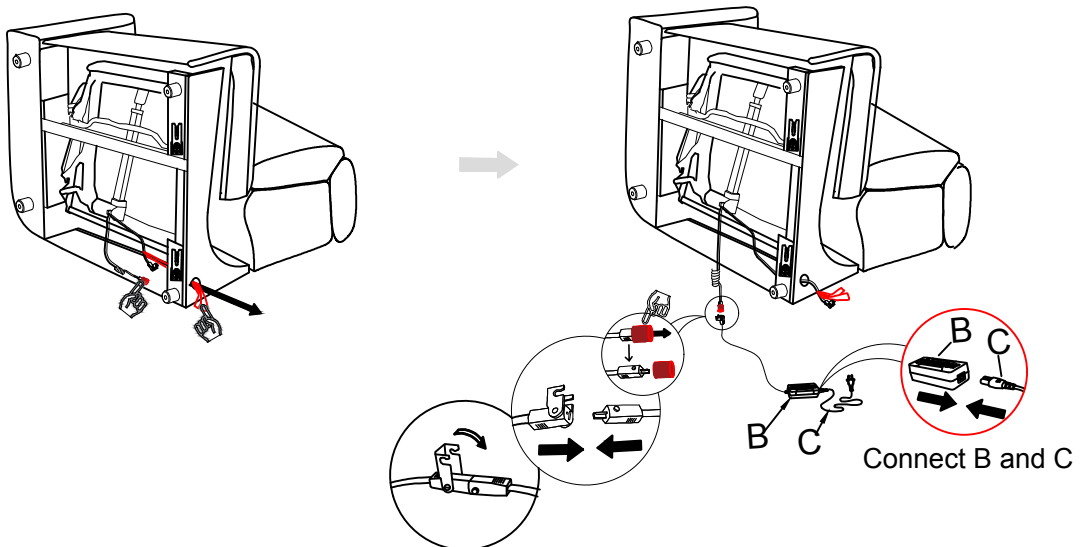
Transformer
B x1



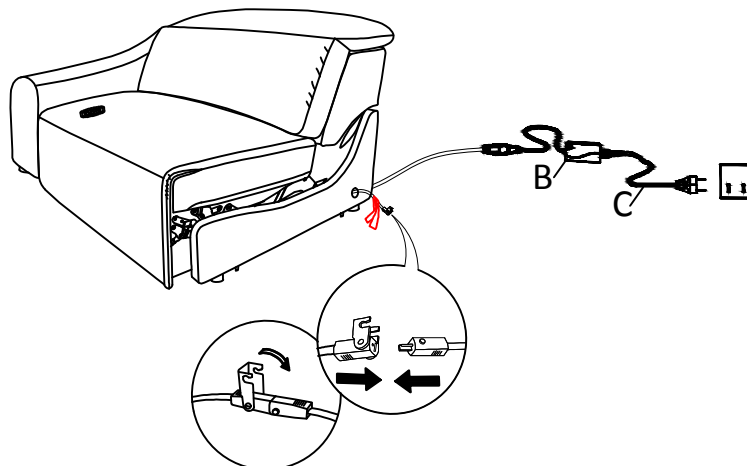
Charger
C x1

Assembly Steps

Step 1 Pull the power input wire from the back of the body, connect with the transformer and charger.



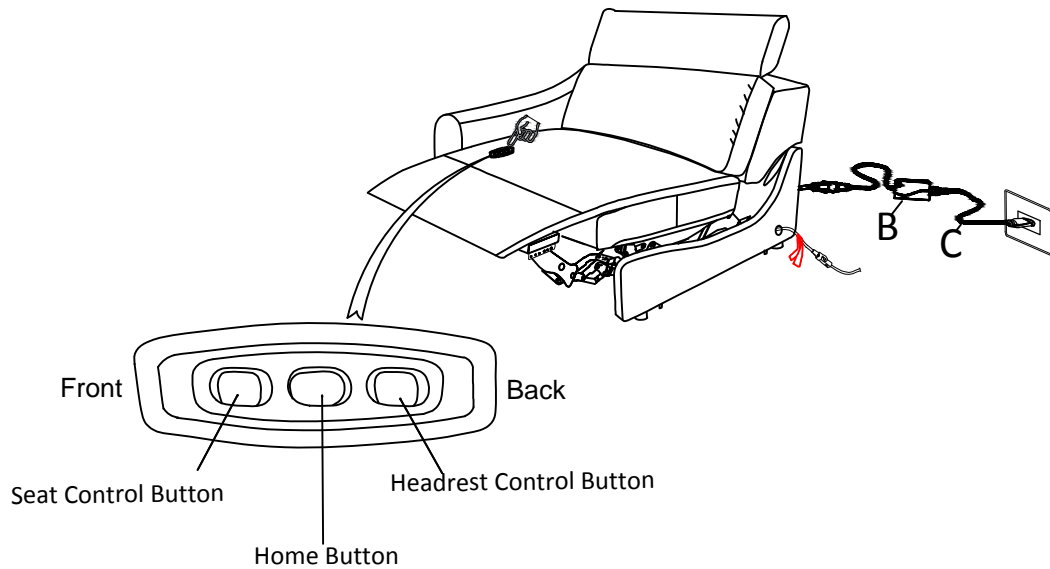
Step 2 Take out the wire connector from the side and connect with other pieces.



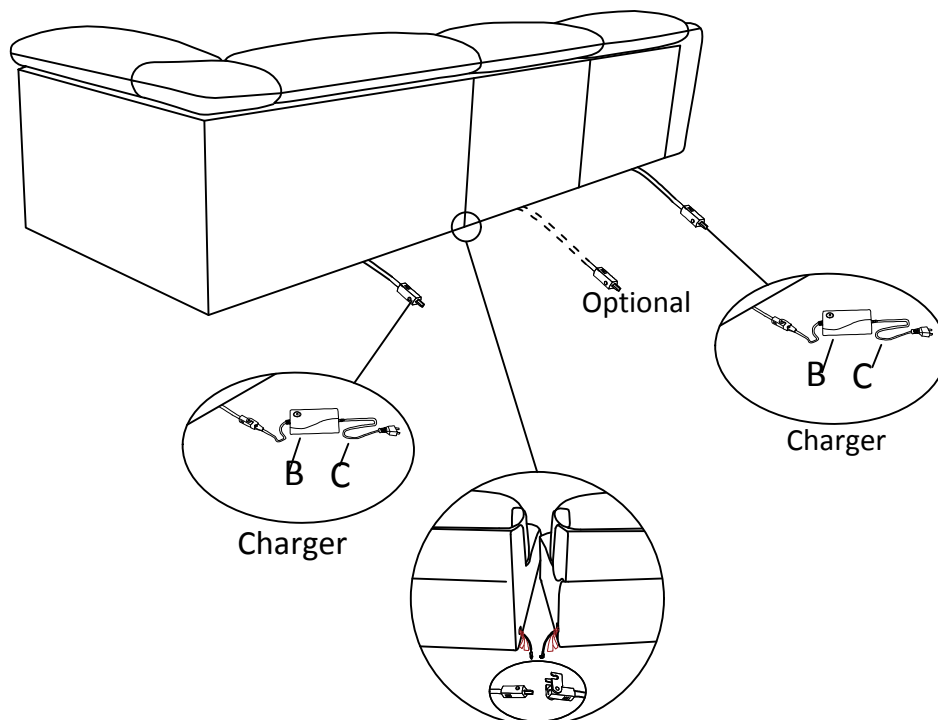
ASSEMBLY INSTRUCTION

Alondra Power Recliner LAF PC

Step 3 Find switch panel on the side of the seat cushion.



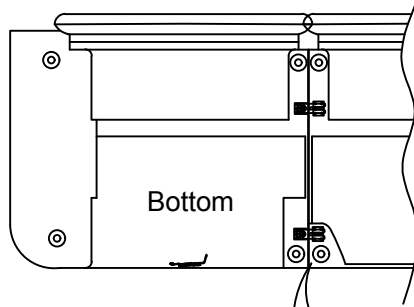
Step 4 Each charger can support running maximum 2 pieces at the same time.



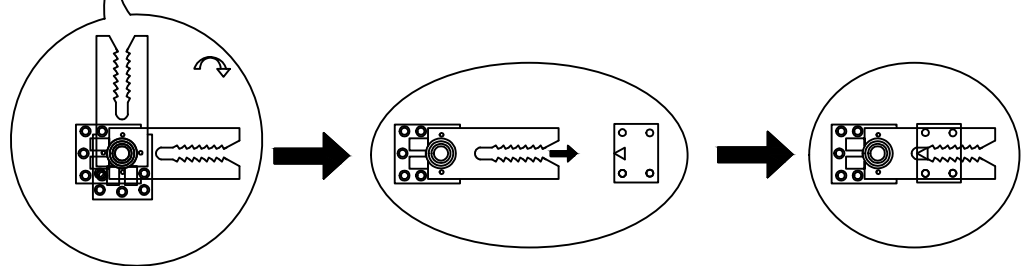
ASSEMBLY INSTRUCTION

Alondra Power Recliner LAF PC

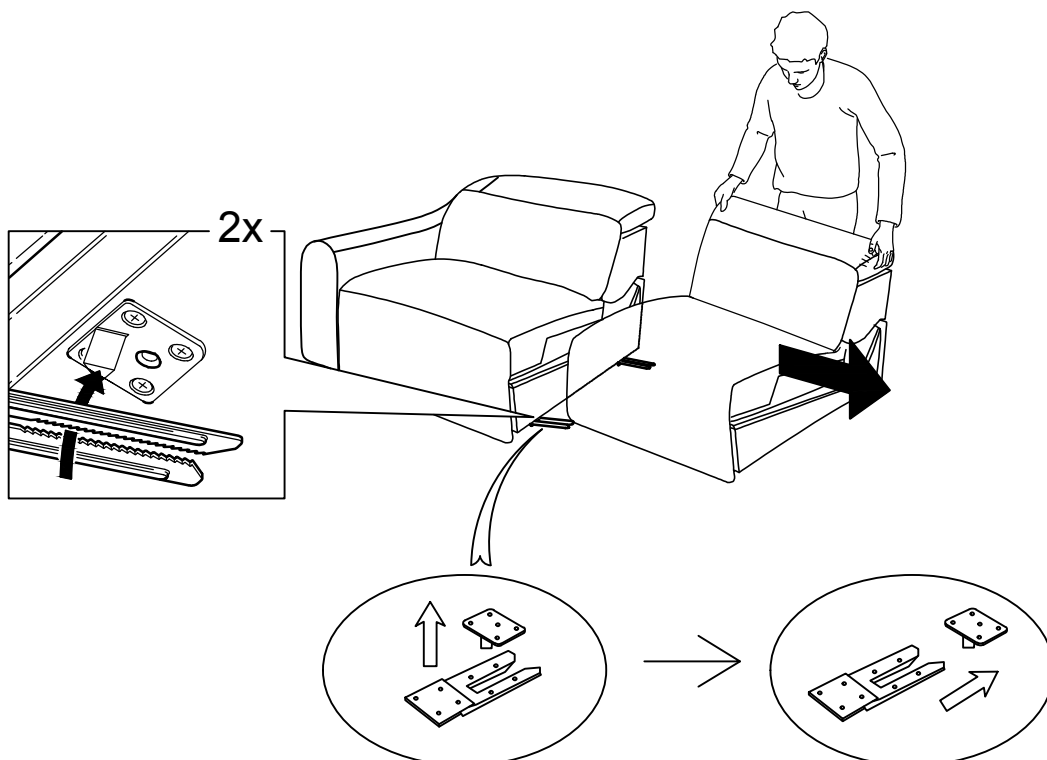
Assembly of the sectionals



Note : The prong and the connector must be aligned well



How to disconnect



Note : Lift up the right sectional and pull it out.