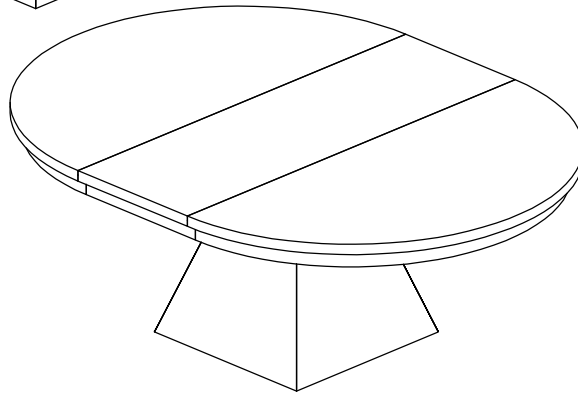
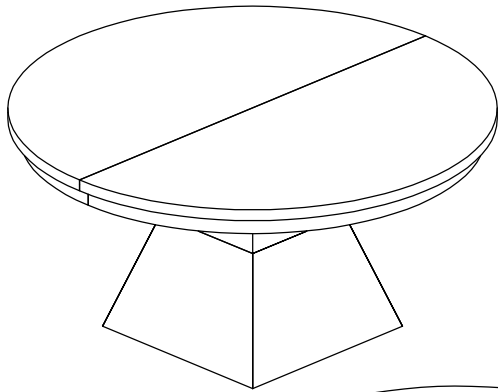



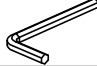


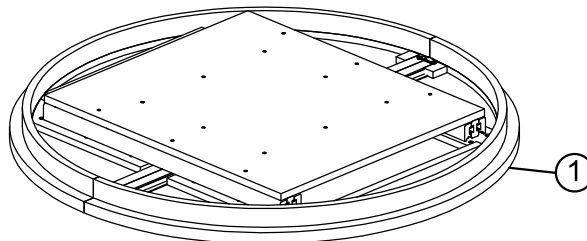
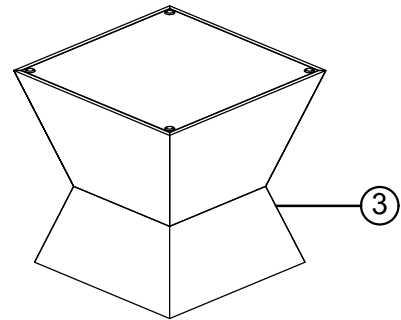
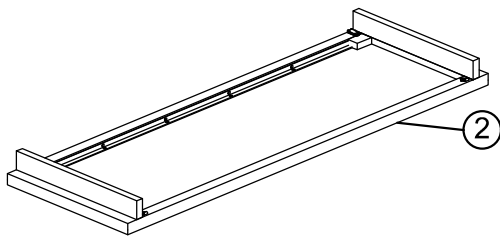
ASSEMBLY INSTRUCTION

MODEL: EXTENSION DINING TABLE

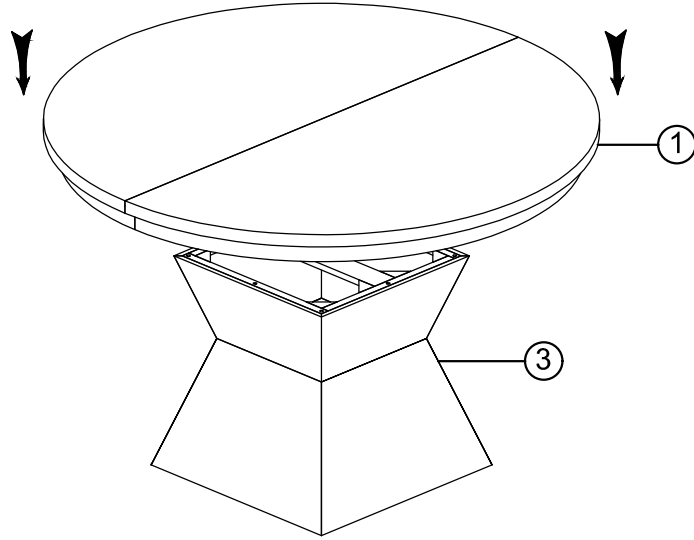


HARDWARE LIST

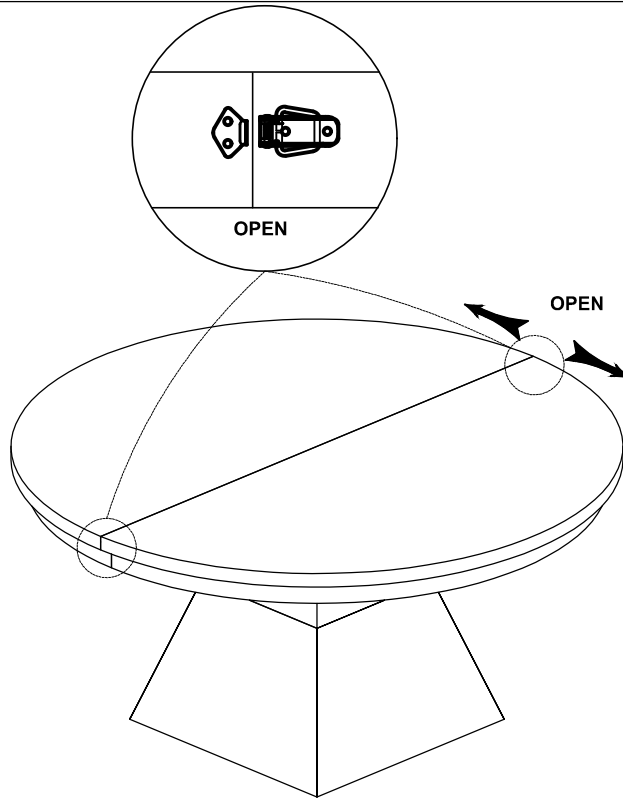
A		BOLT M6 x 45 mm	6
B		FLAT WASHER Ø16/Ø6x2 mm	6
C		SPRING WASHER Ø6x2 mm	6
D		M4	1



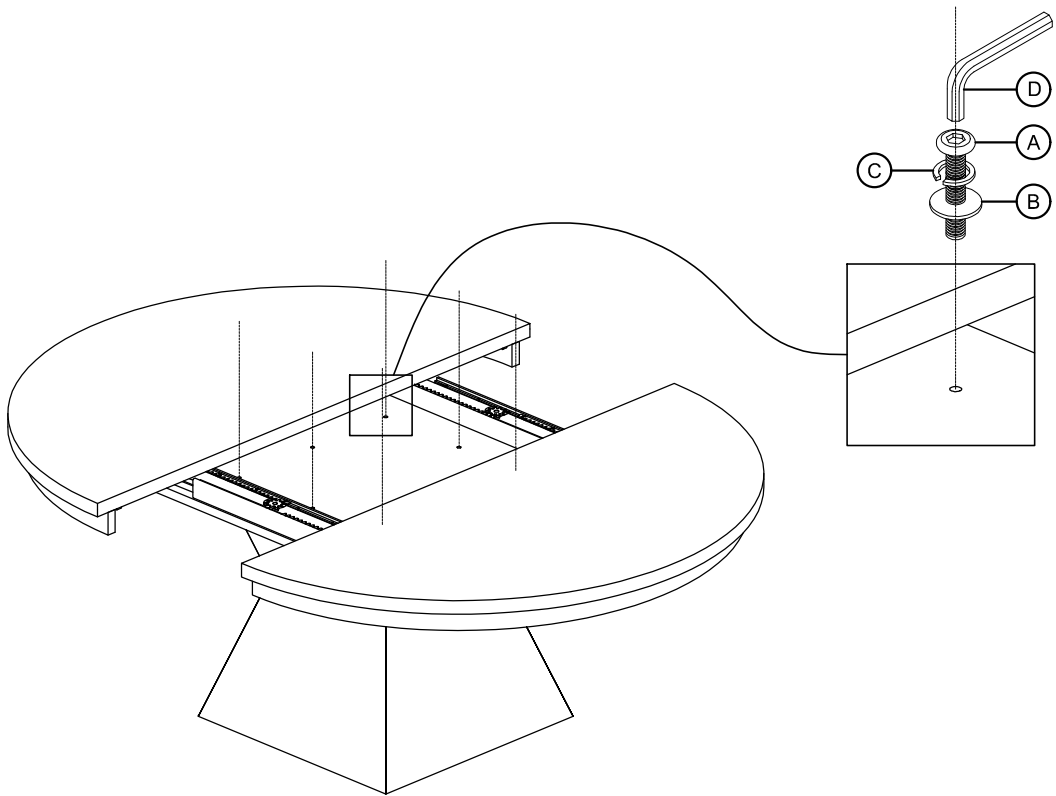
1



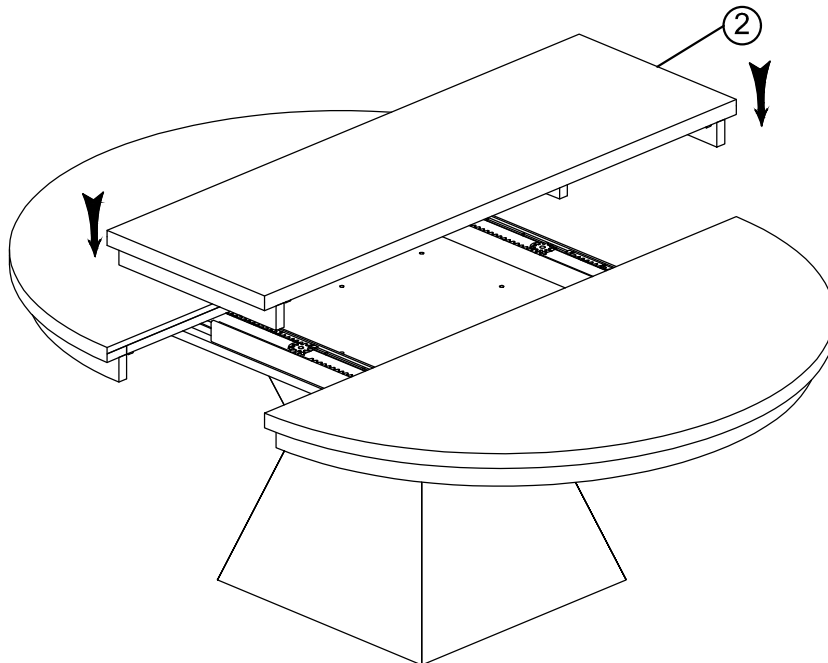
2



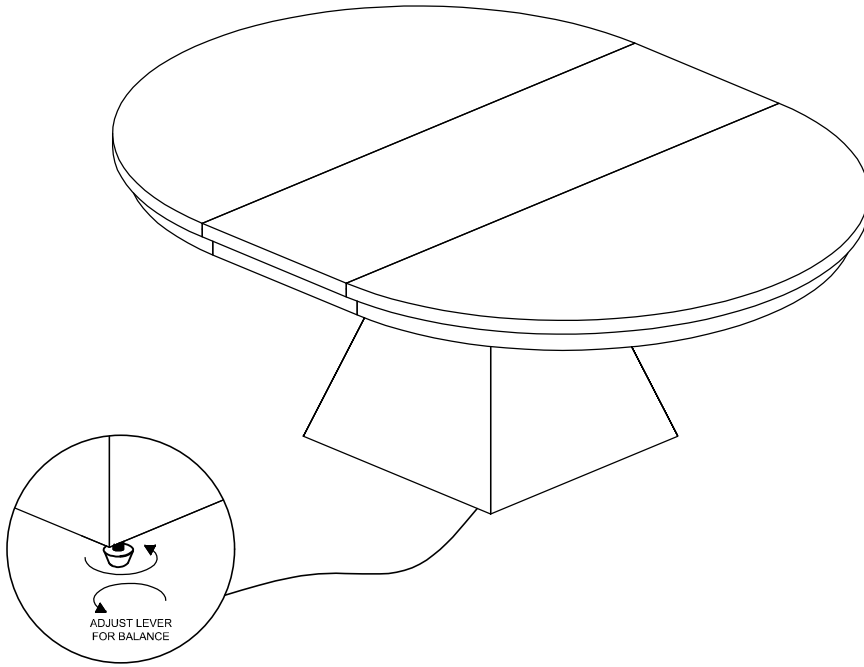
3



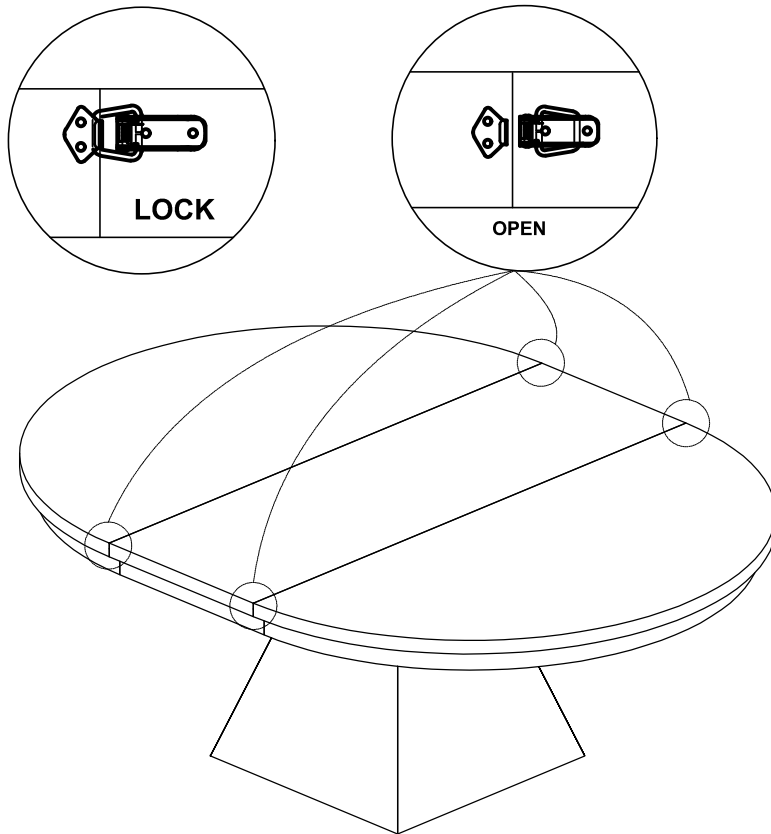
4



5



6



FINISHED

PAGE 4/4