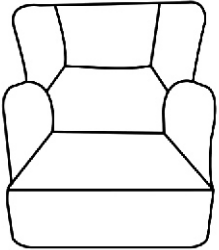
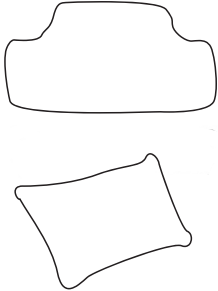
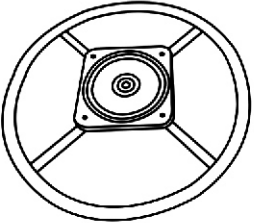
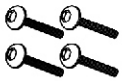


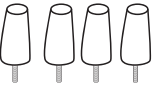
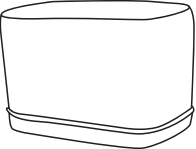
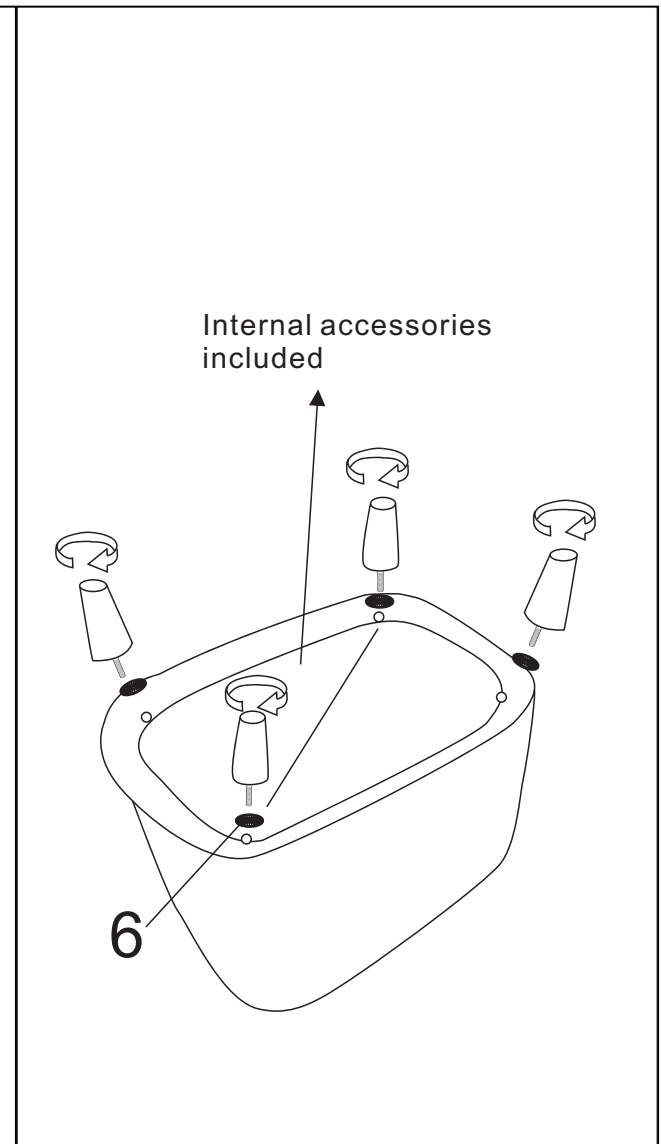
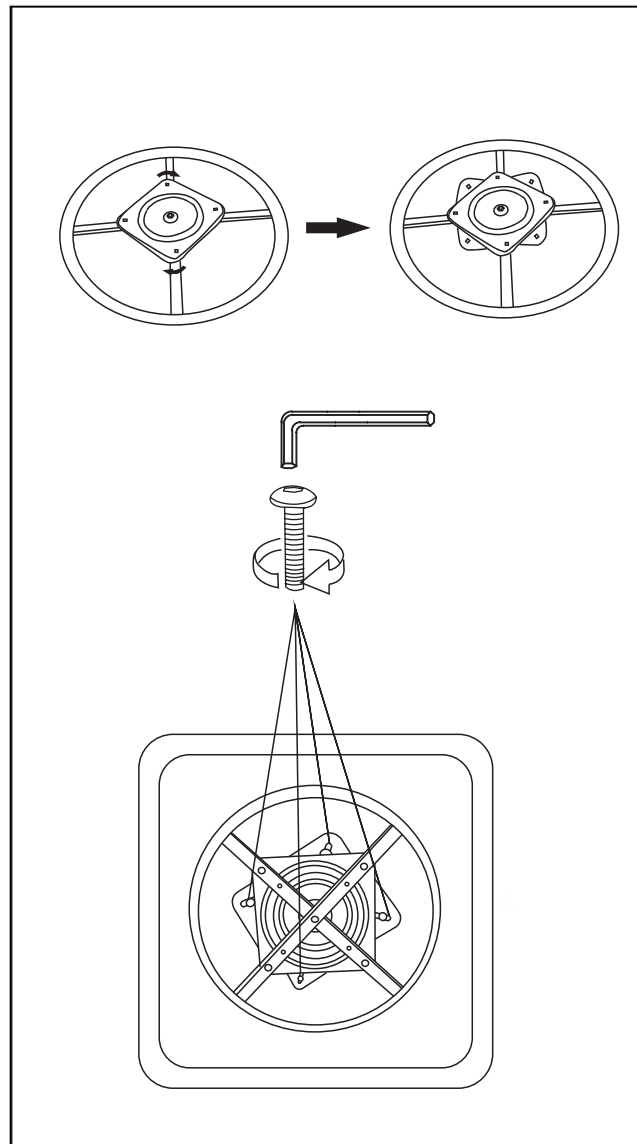


ASSEMBLY INSTRUCTION

1. SEAT CUSHION 	2. CUSHION 
3. SERVING TRAY 	4. SCREW 
5. SPANNER 	6. Washer 
6. Washer 	7. Foot pedals 



PLEASE READ "VELVET MAINTENANCEINSTRUCTIONS" BACK SIDE IF THE PRODUCT YOU BUY IS IN VELVET FABRIC

