

HEADBOARD

ASSEMBLY INSTRUCTIONS

Before assembling your headboard, please read through these instructions carefully and familiarize yourself with the different parts.



PARTS LIST

- 1 HEADBOARD PANEL 4 PCS BOARDS
- 2 LEFT LEG 1 PC
- 3 RIGHT LEG 1 PC

Instructions apply for bed sizes
TWIN

HARDWARE

- A JCB M6 X 35mm - 16 pcs
Spare - 1 pc
- B JCB M8 X 15mm (5/8") - 4 pcs
Assembly headboard to open bed frame
- C Allen wrench - 1pc
Spare - 1pc

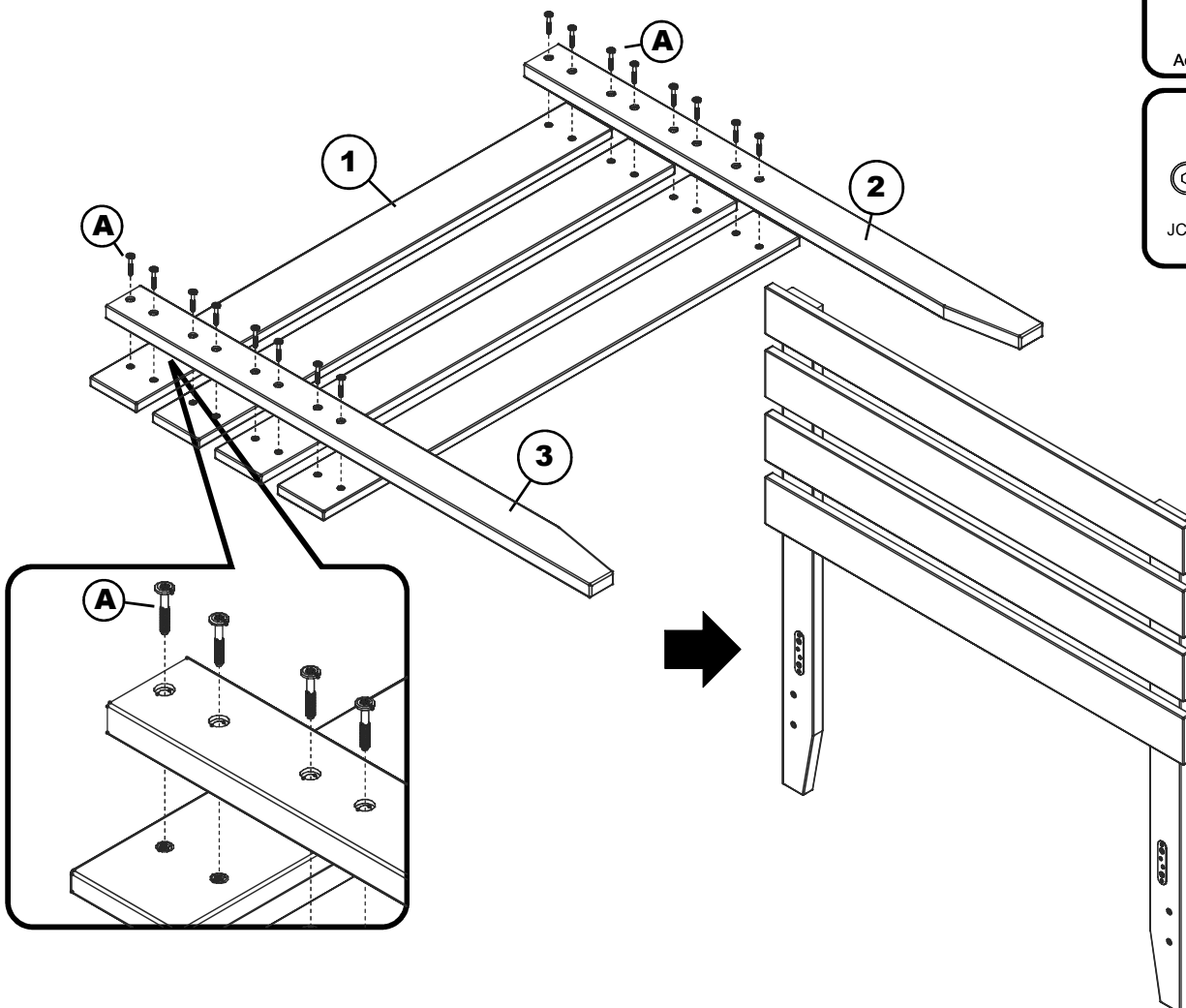
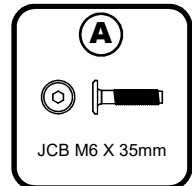
HARDWARE FOR METAL BED FRAME

- D JCB M6 X 25mm (1") - 4 pcs
Spare - 1 pc
- E Flat washer - 4 pcs
Spare - 1 pc
- F Split washer - 4 pcs
Spare - 1 pc

NOTE: WE INCLUDE SPARE HARDWARE IN CASE DAMAGE OCCURS DURING ASSEMBLY.

Step 1

Attach the legs (2) and (3) to headboard panel boards (1), using JCB M6 X 35mm (A). Tighten with the Allen wrench (C).



FOR BED FRAME ASSEMBLY follow assembly instructions included with your bed frame.
If you purchased a wood headboard to attach to metal bed frame, please refer to page 2.

ATTACHING HEADBOARD TO METAL BED FRAME

ASSEMBLY INSTRUCTIONS

Before assembling your bed, please read through these instructions carefully and familiarize yourself with the different parts.

Instructions apply for bed sizes
Twin > Full > Queen

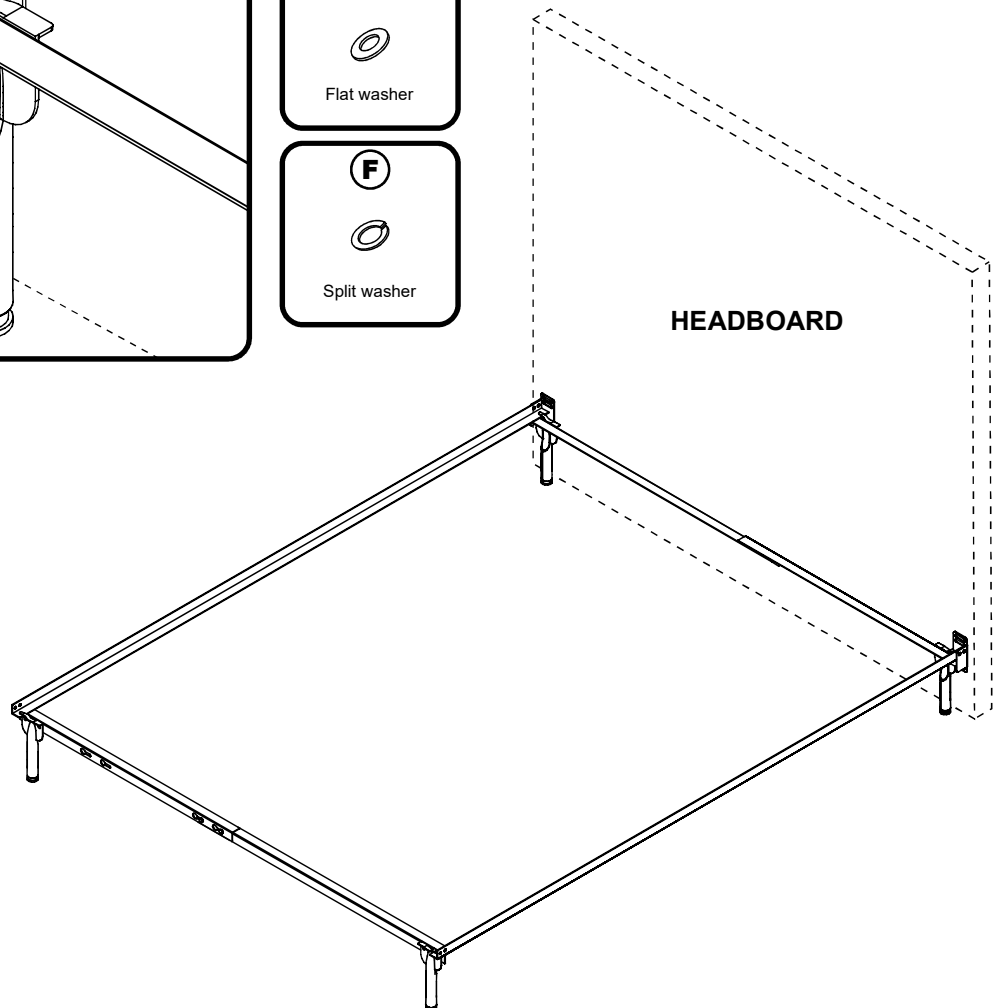
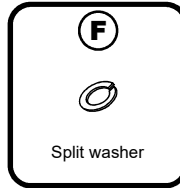
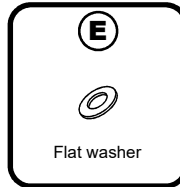
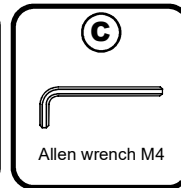
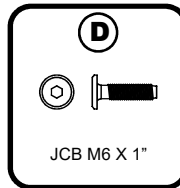
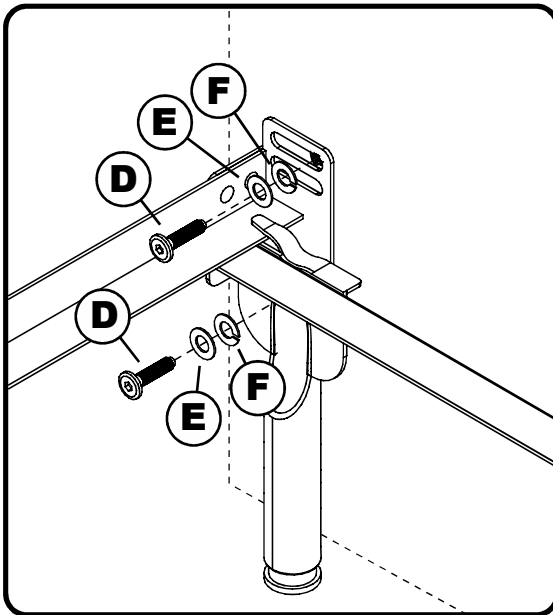


Adult assembly

Metal bed frames are sold separately from wood headboards. The hardware shown on this page is supplied with your Atlantic wood headboard for attaching the bed frame to the headboard. The metal bed frame is supplied with its own assembly instructions and hardware.

Step 1

Attach the headboard assembly to the metal bed frame using JCB M6 X 1" (D), flat washer (E), and split washer (F) then tighten with Allen wrench (C) as shown below.



Congratulations!

Your bed is now ready for use.

To ensure lasting safety, we recommend that you periodically check that all screws are tight and all parts are secure.

OPEN BED FRAME

TWIN

ASSEMBLY INSTRUCTIONS

Before assembling your bed frame, please read through these instructions carefully and familiarize yourself with the different parts.



PARTS LIST

- ① **FOOT RAIL** 1 PC
- ② **LEFT LEG** 1 PC
- ③ **RIGHT LEG** 1 PC
- ④ **SIDE RAIL** 2 PCS
- ⑤ **SLAT KIT** 2 SETS

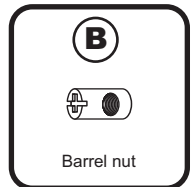
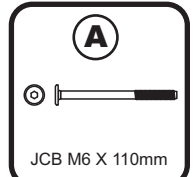
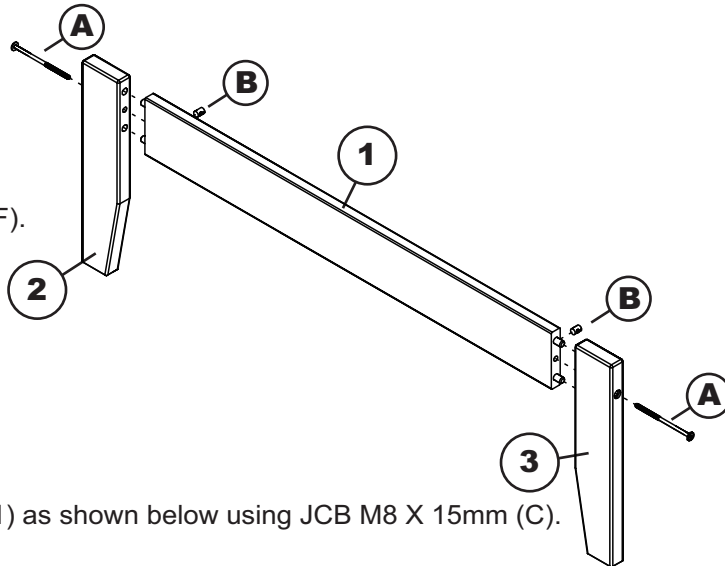
HARDWARE

- ④ JCB M6 X 110mm (4 3/8") - 2 pcs
Spare - 1 pc
- ⑤ Wood screw (1 1/4") - 24 pcs
Spare - 2 pcs
- ⑥ Barrel nut - 2 pcs
- ⑦ Allen wrench M6 - 1pc
- ⑧ JCB M8 X 15mm (5/8") - 4 pcs
- ⑨ Allen wrench M4 - 1pc
Spare - 1pc

NOTE: WE INCLUDE SPARE HARDWARE IN CASE DAMAGE OCCURS DURING ASSEMBLY.

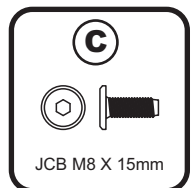
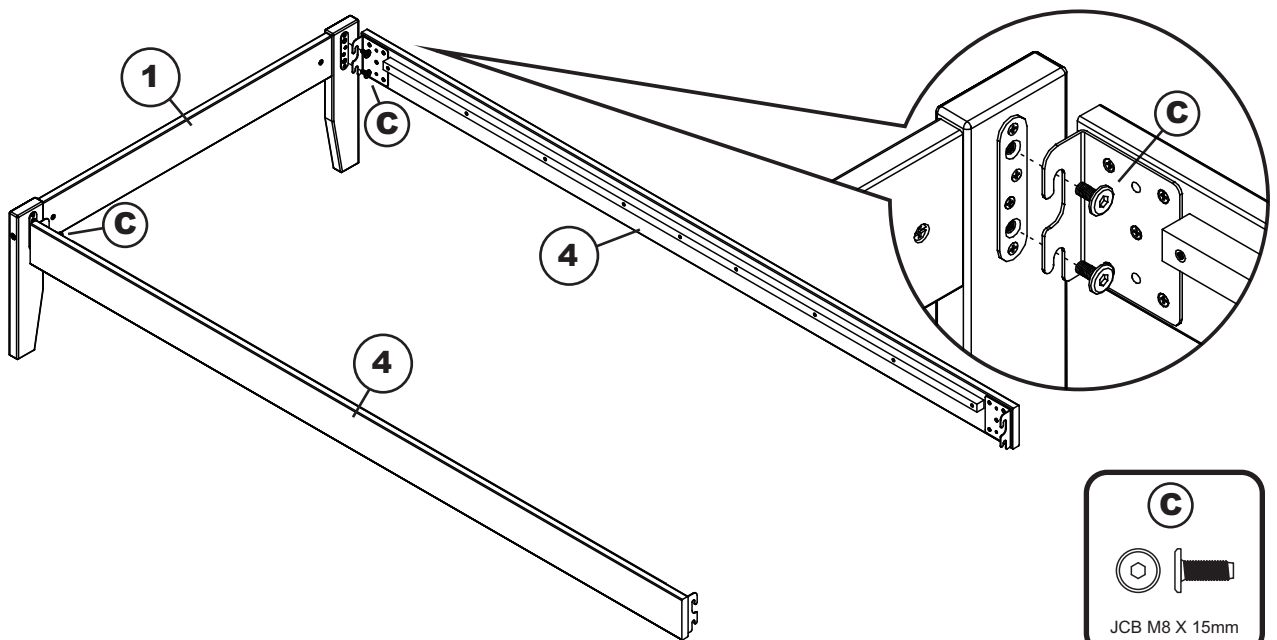
Step 1

Attach the legs (2) and (3) to foot rail (1), using JCB M6 X 110mm (A) and barrel nut (B). Tighten with the Allen wrench M4 (F).



Step 2

Attach side rails (4) to the foot rail (1) as shown below using JCB M8 X 15mm (C). Tighten with Allen wrench M6 (E).



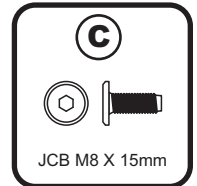
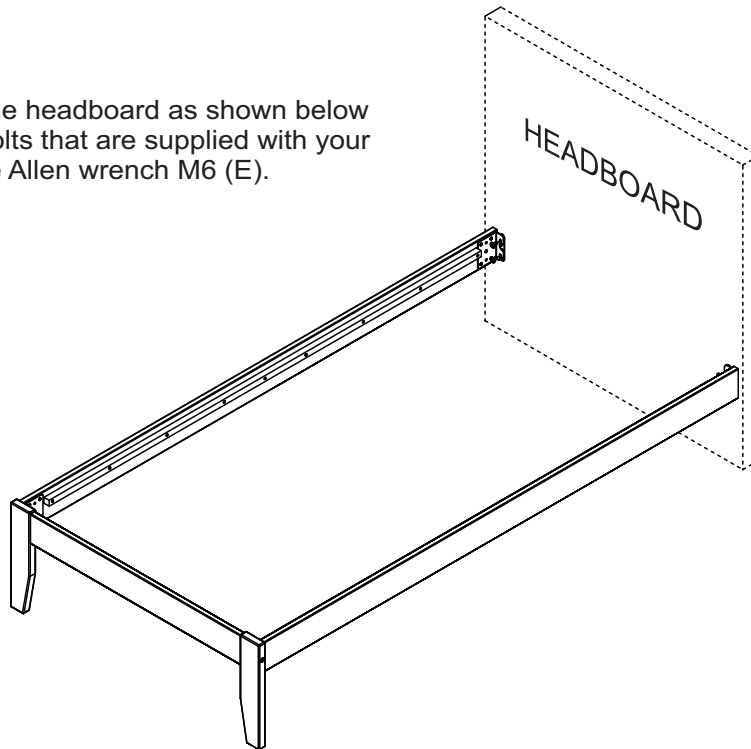
OPEN BED FRAME

TWIN



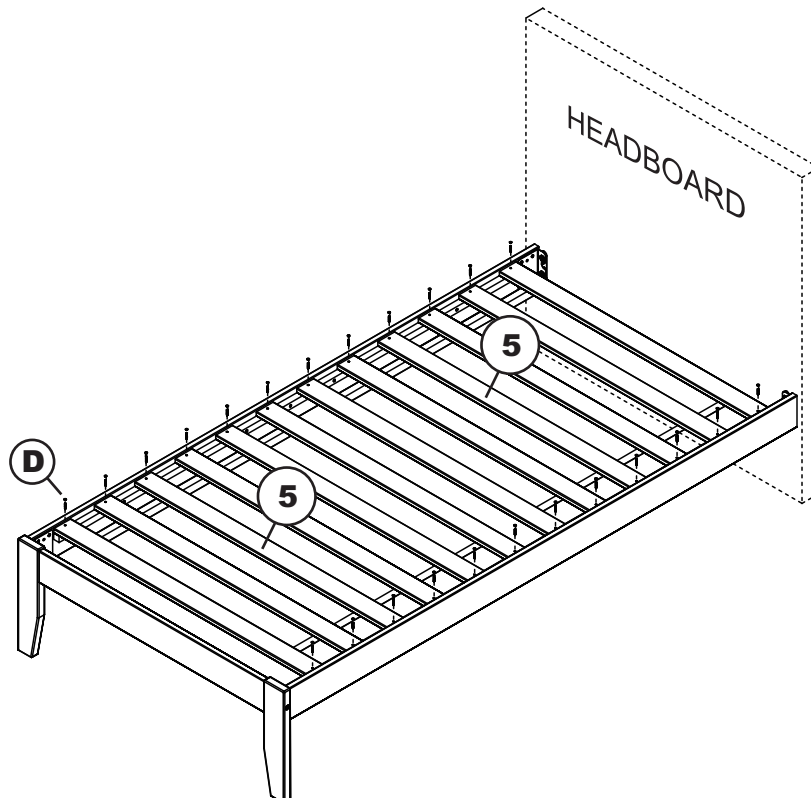
Step 3

Attach open bed frame to the headboard as shown below using 4 JCB M8 X 15mm bolts that are supplied with your headboard. Tighten with the Allen wrench M6 (E).



Step 4

Attach 2 slat kit (5) to the open bed as shown below using wood screws 1 1/4" (D). Tighten with Phillips head screw driver. (customer supplied)



Congratulations!

Your bed is now ready for use.

We recommend that you periodically recheck that all screws are tight to ensure lasting safety.

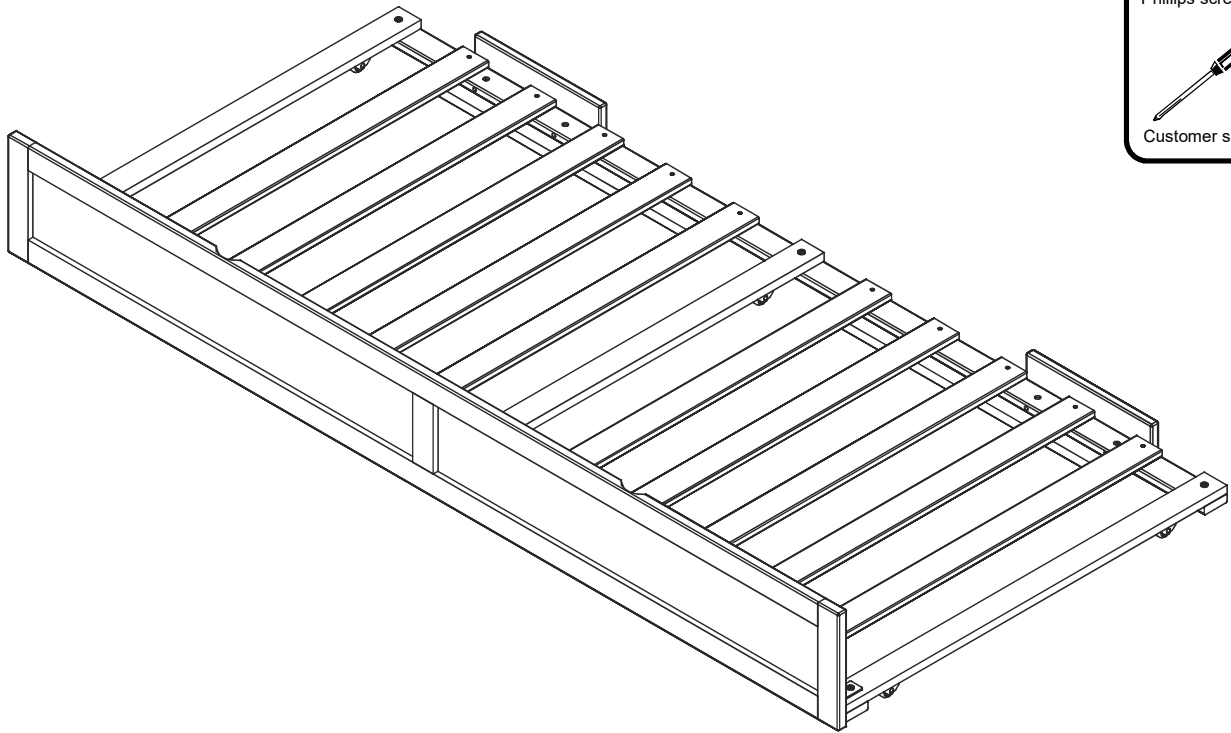
TRUNDLE BED

TWIN XL ASSEMBLY INSTRUCTIONS

Before assembling your Trundle bed, please read through these instructions carefully. Familiarize yourself with the different parts.

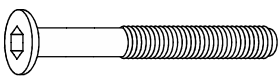


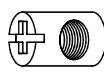
ATTENTION! If you receive a damaged or defective item, please contact Atlantic Furniture at customerservice@atlanticfurniture.com or 1-800-955-3726



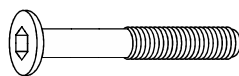
HARDWARE

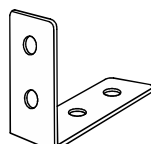
NOTE: WE INCLUDE SPARE HARDWARE IN CASE DAMAGE OCCURS DURING ASSEMBLY.


A  JCB M6 X 2 3/8" (60mm) - 4 pcs
Spare - 1 pc

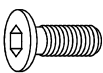
D  Barrel nut - 4 pcs
For JCB M6 X 2 3/8"(60mm)

F  Wood screw - 20 pcs
Spare - 2 pcs

B  JCB M6 X 1 5/8" (40mm) - 9 pcs
Spare - 1 pc

E  L Bracket - 3 pcs

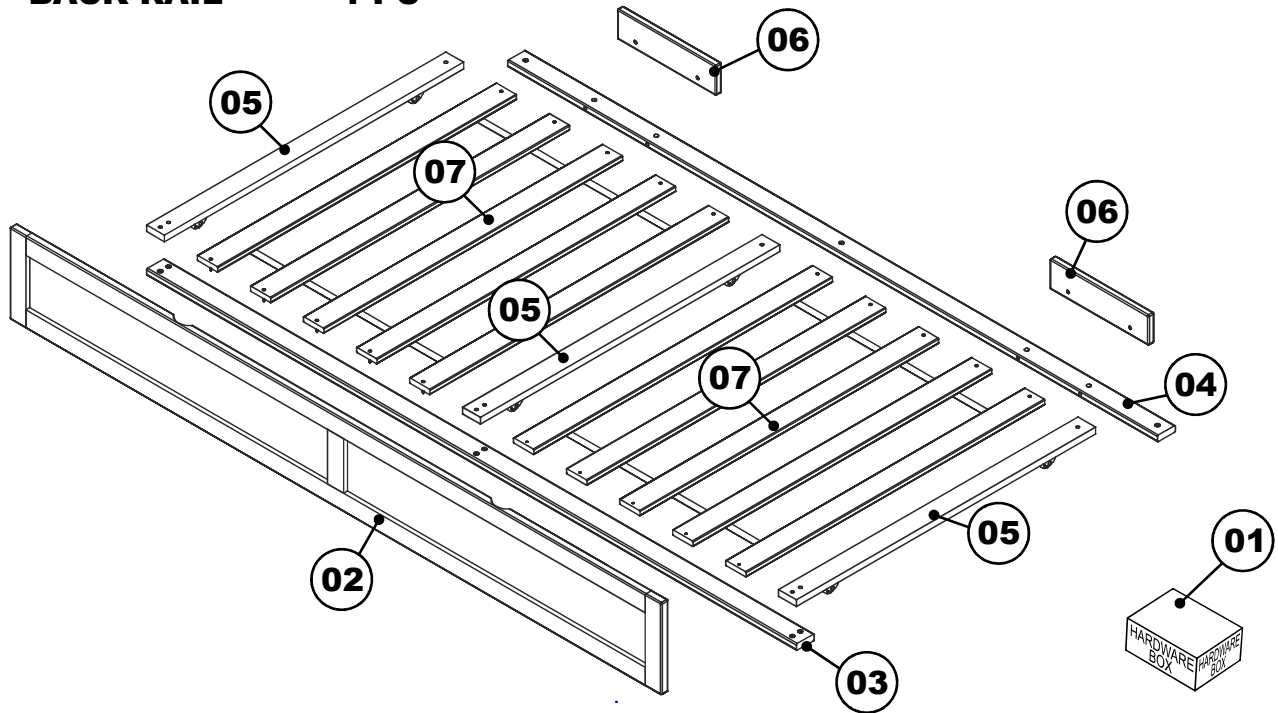
G  Allen wrench - 1 pc
Spare - 1 pc

C  JCB M6 X 5/8" (15mm) - 6 pcs
Spare - 1 pc
Fix L bracket to front panel

TRUNDLE BED

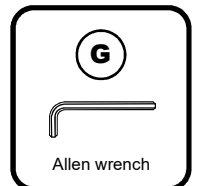
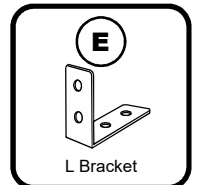
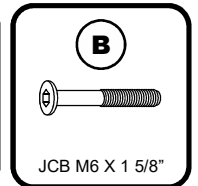
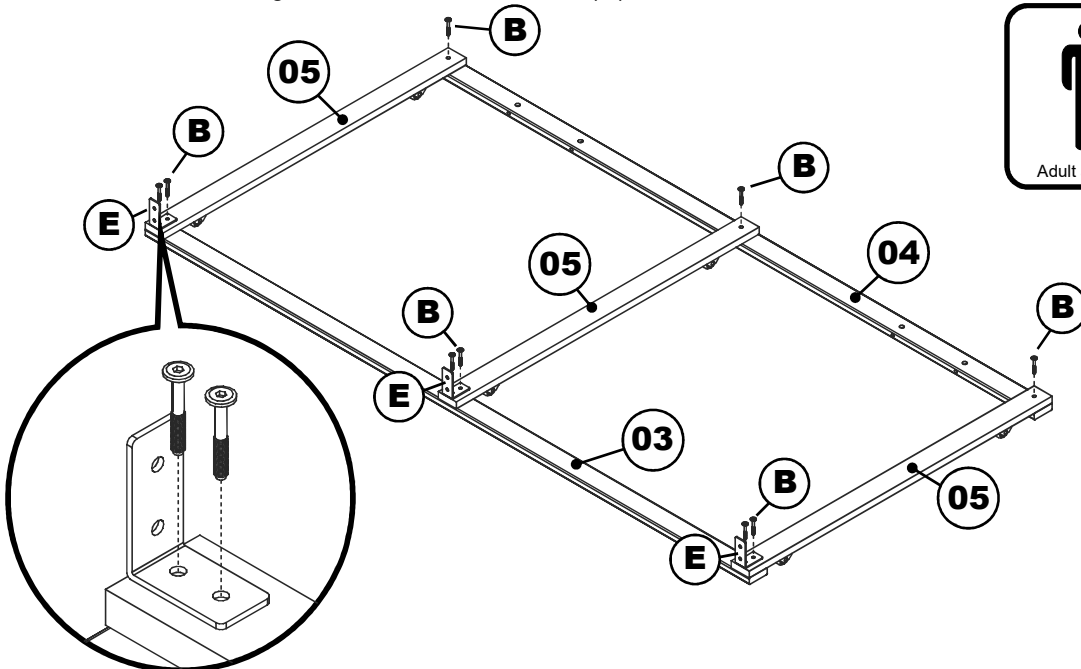
TWIN XL PARTS LIST

01	HARDWARE	1 BOX	05	LEFT, RIGHT, MID RAIL	3 PCS
02	FRONT PANEL	1 PC	06	REAR BLOCK	2 PCS
03	FRONT RAIL	1 PC	07	SLAT KIT WITH WEBBING	2 SETS
04	BACK RAIL	1 PC			



Step 1

Attach the left, right and mid rails (05) to the front rail (03) using L bracket (E) and JCB M6 X 1 5/8" (B). Attach left, right and mid rails (05) to the back rail (04) using JCB M6 X 1 5/8" (B). Tighten with the Allen wrench (G).

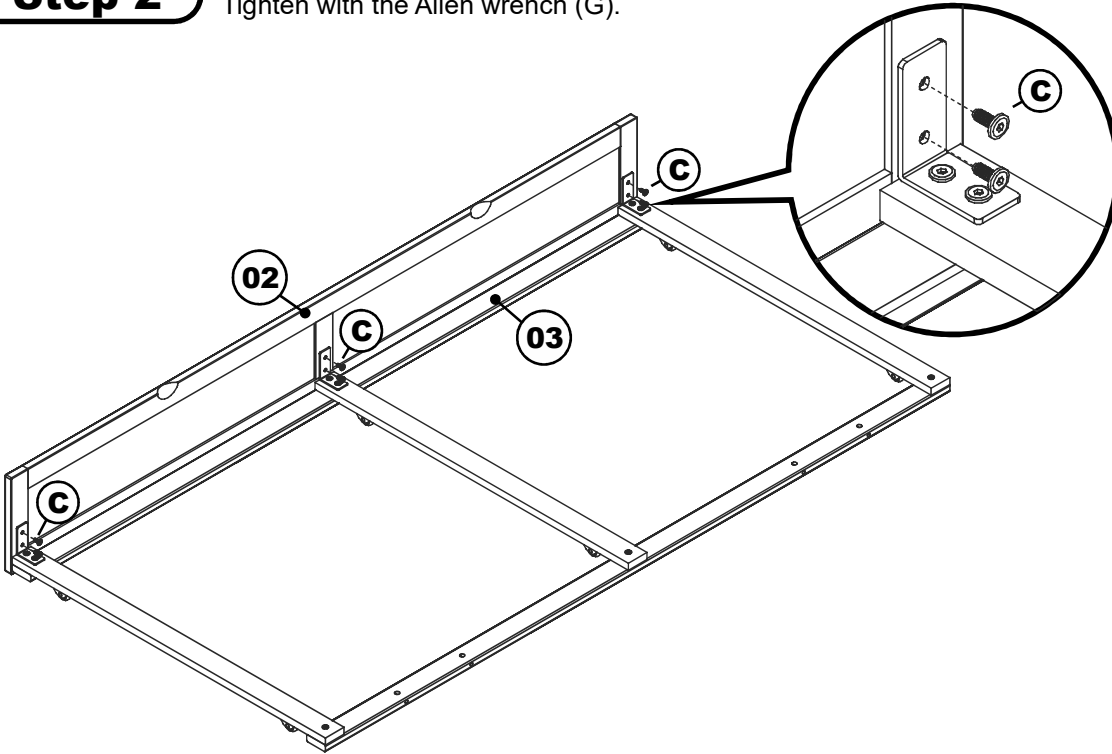


TRUNDLE BED

TWIN XL

Step 2

Attach the front panel (02) to the front rail (03) as shown, using JCB M6 X 5/8" (C). Tighten with the Allen wrench (G).



C

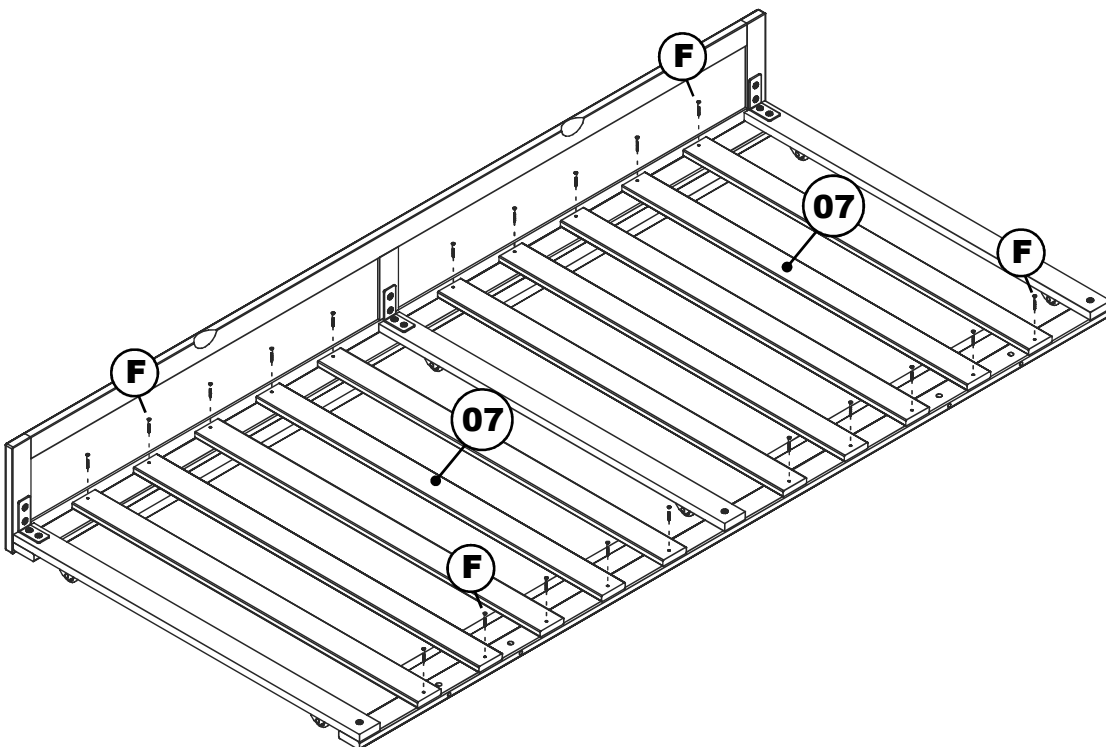


G

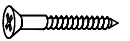


Step 3

Lay the slat kits (07) webbing side down onto the rail assembly as shown. Attach using wood screw (F) and tighten with the Phillips head screw driver. (customer supplied)



F



Phillips screwdriver

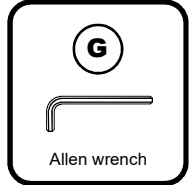
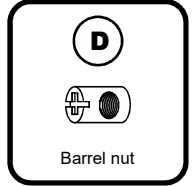
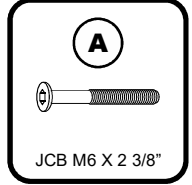
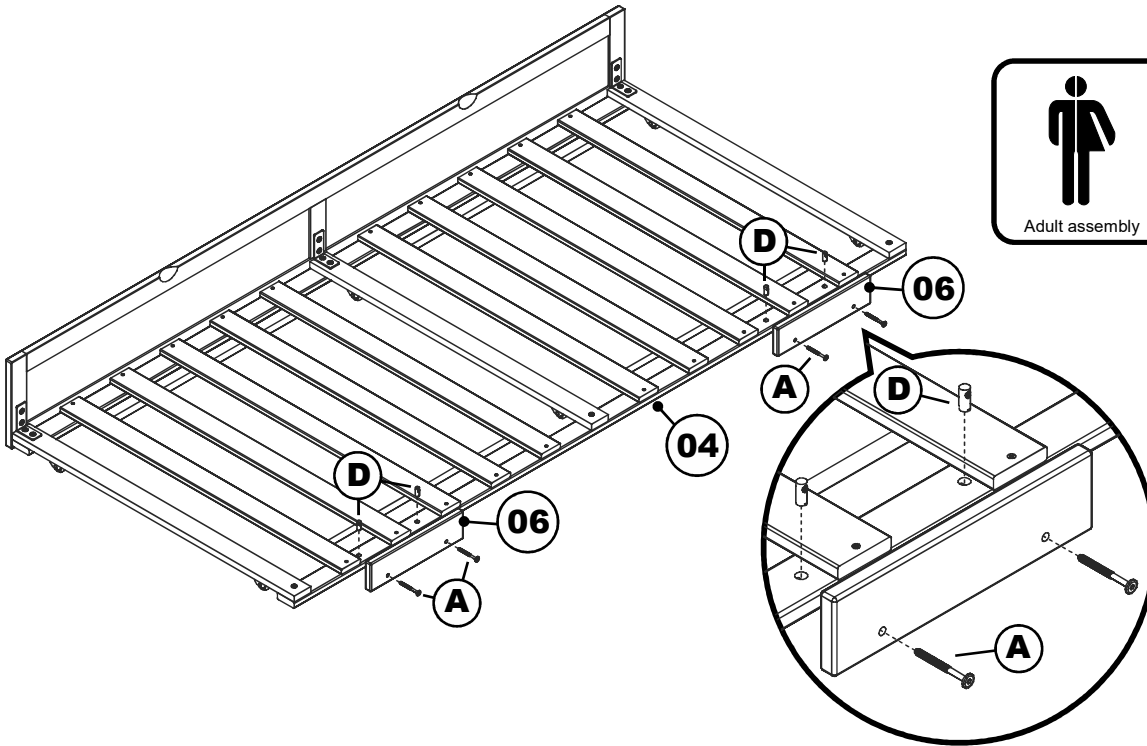


TRUNDLE BED

TWIN XL

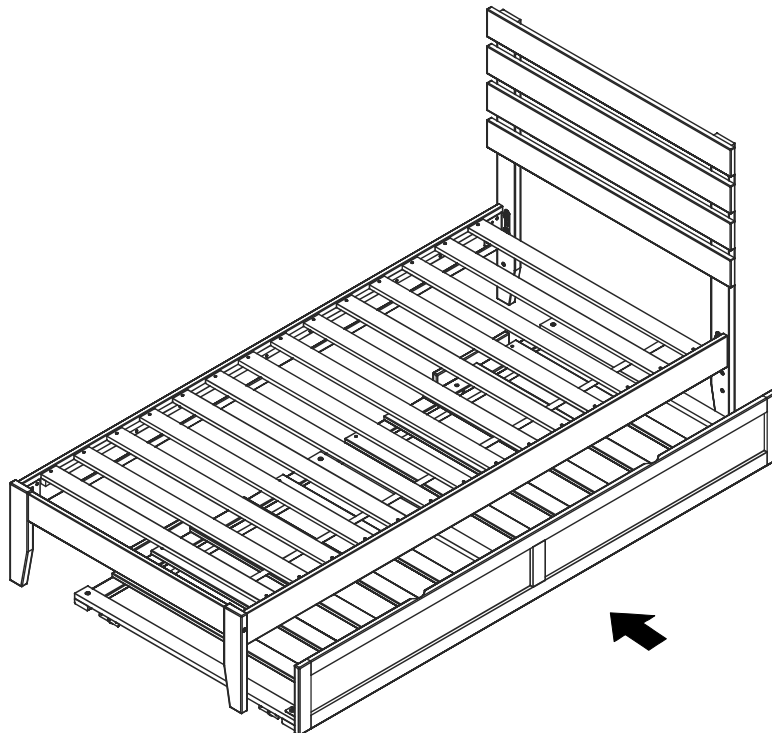
Step 4

Attach the rear blocks (06) to the back rail (04) as shown using JCB M6 X 2 3/8" (A) barrel nut (D) Tighten with the Allen wrench (G)



Step 5

Lastly, Insert Trundle bed to the bed as shown below.



Congratulations!

Your Trundle bed is now ready for use.
We recommend that you periodically check that all screws are tight and all parts are secure to ensure lasting safety.