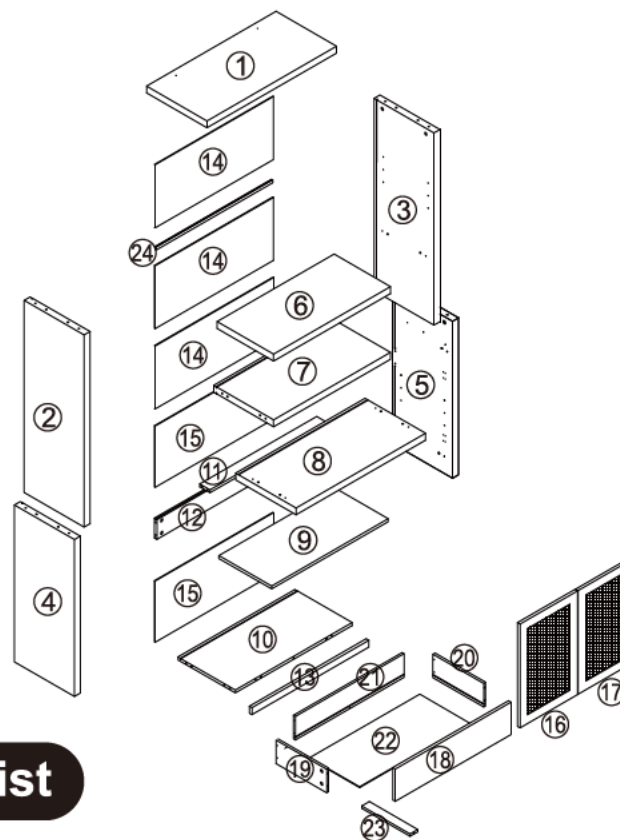
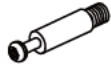
























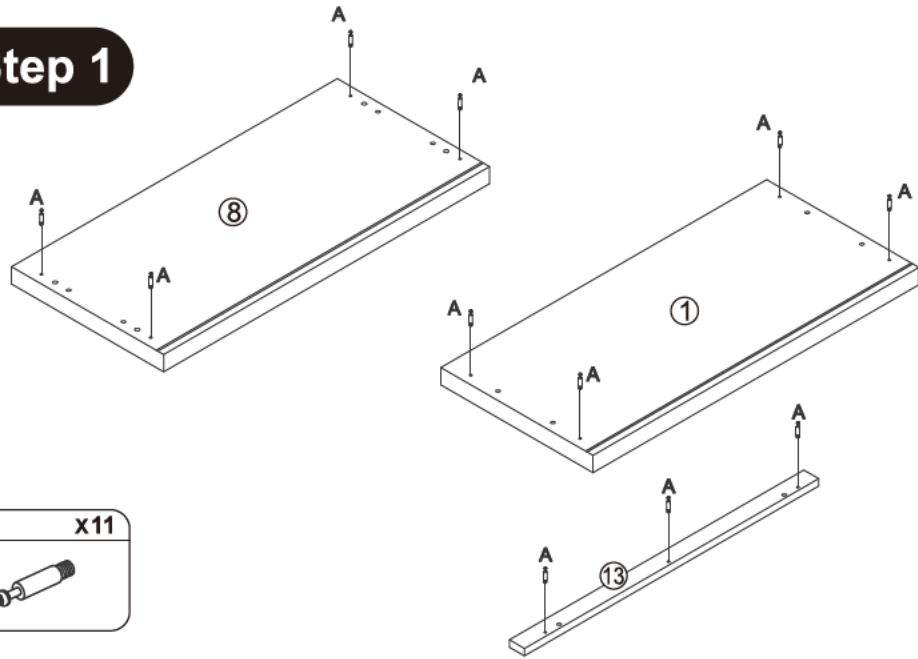
Parts list



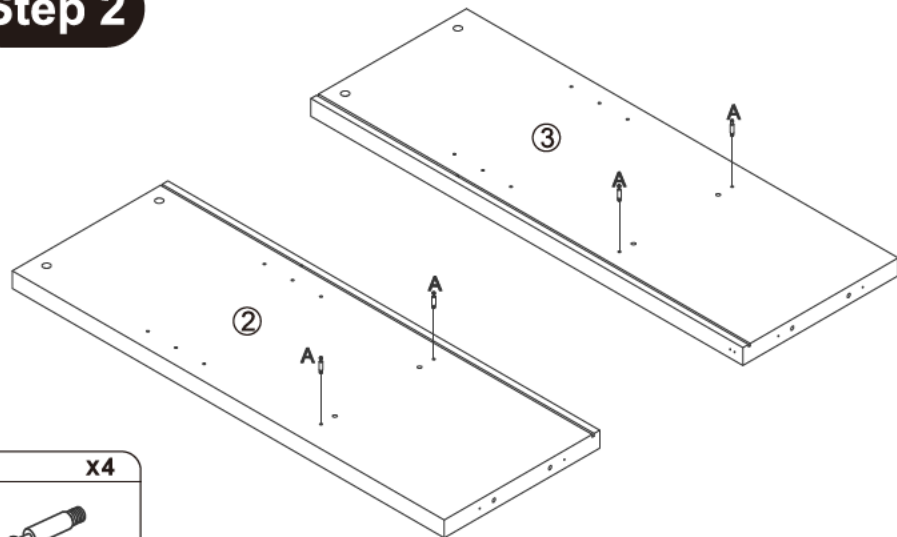
Hardware list

A x30 	B x30 	C x24  φ 8*30MM	D x7  M4*35	E x20  M3*12	F x3 
G x16 	H x18  M3*16	I x2 	J x10  M4*14	K x2 	L x8 
M x4  M4*50	N x4  φ 26	O x24  M3.5*14	P x2 	Q x1 	R x2 
S x30 	DR x1 	DL x1 	CR x1 	CL x1 	

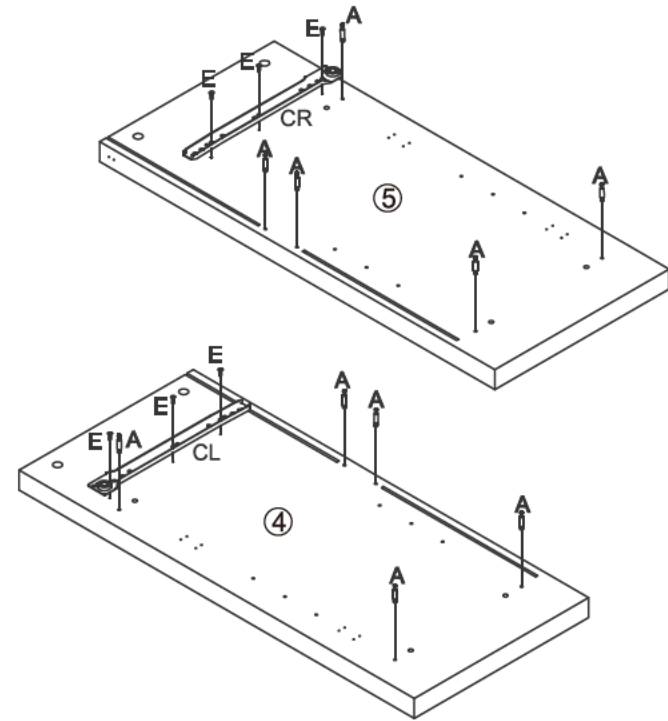
Step 1



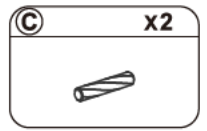
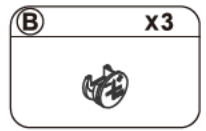
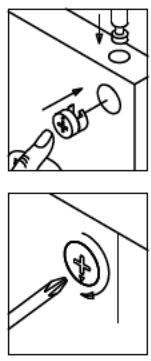
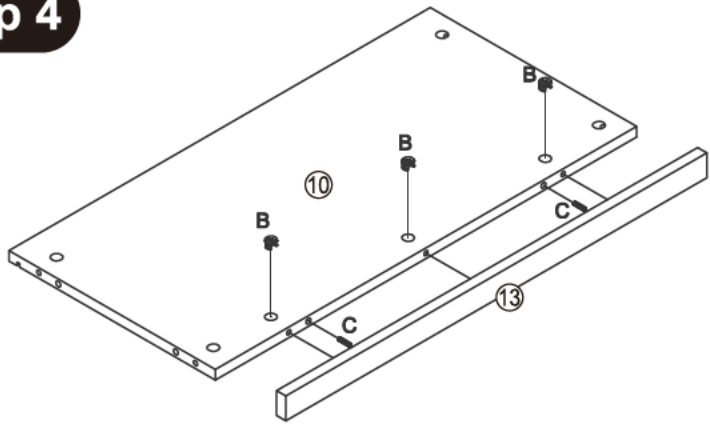
Step 2



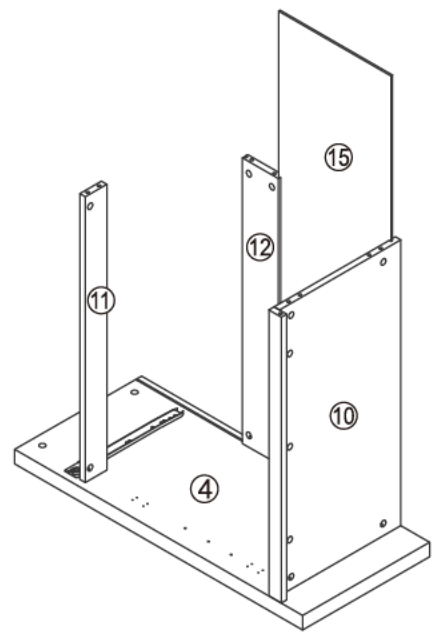
Step 3



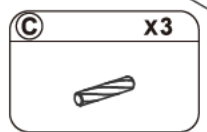
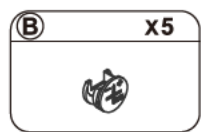
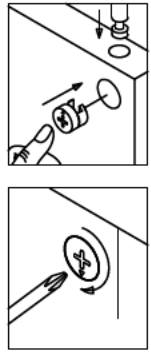
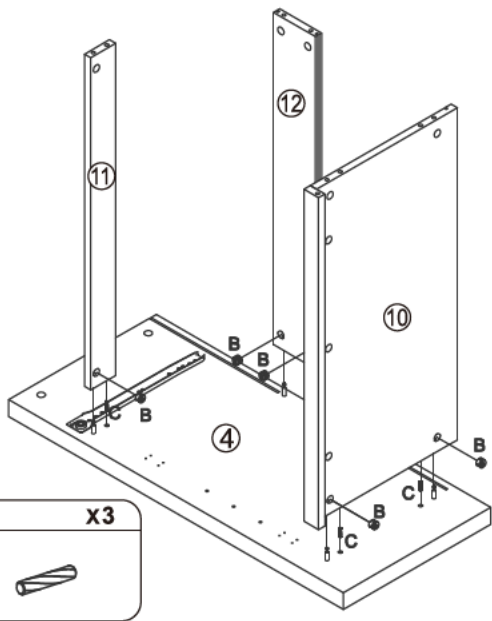
Step 4



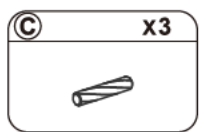
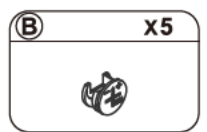
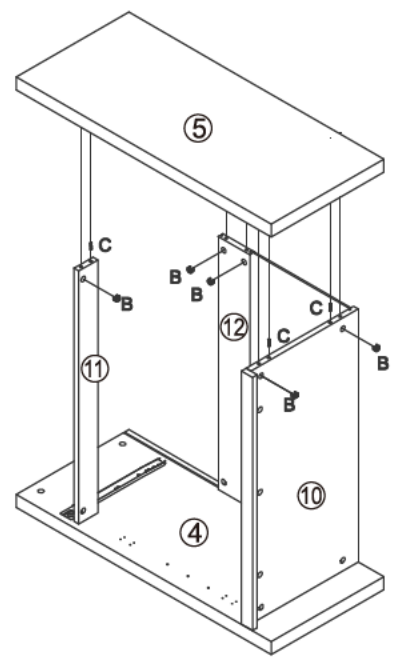
Step 6



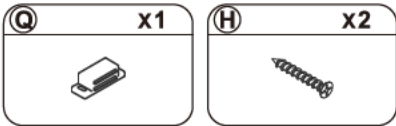
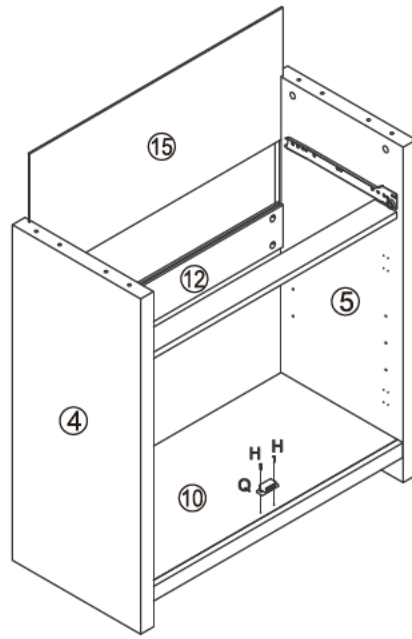
Step 5



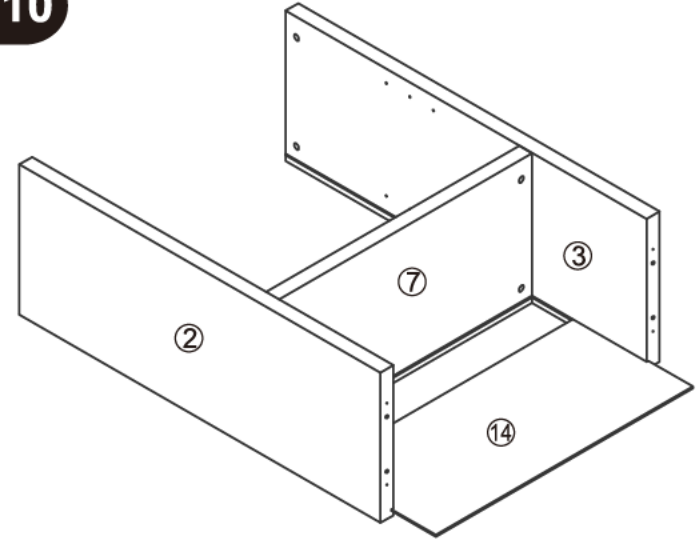
Step 7



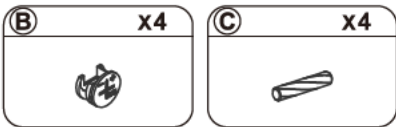
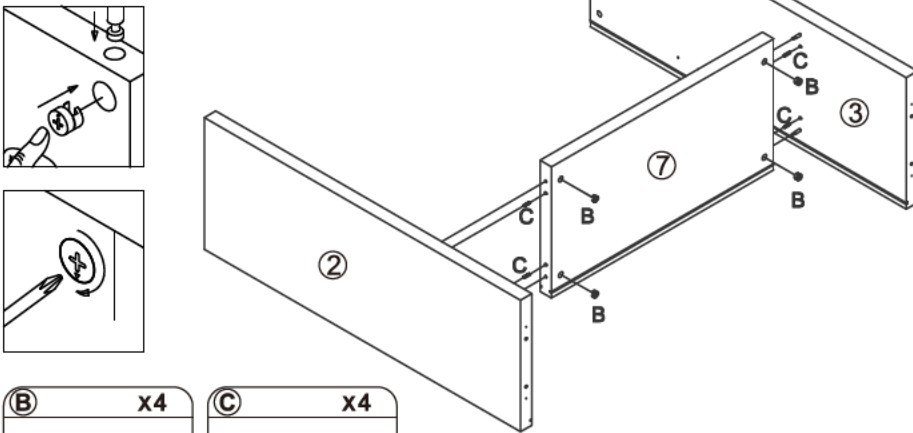
Step 8



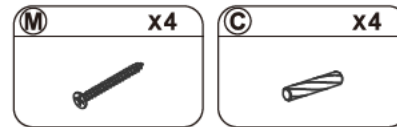
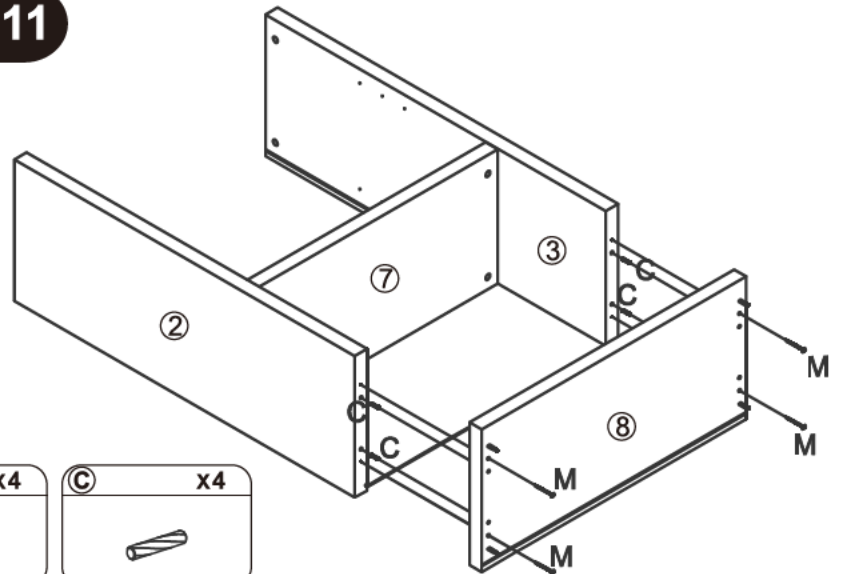
Step 10



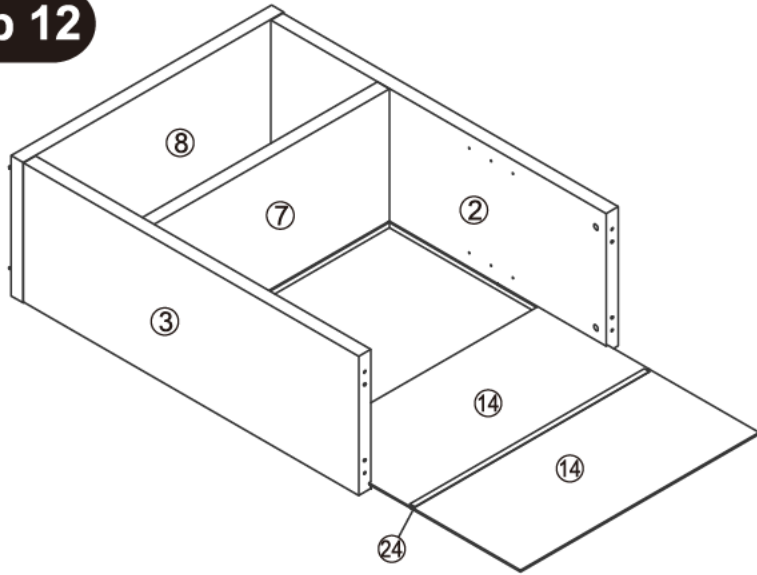
Step 9



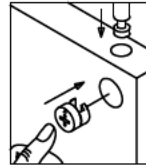
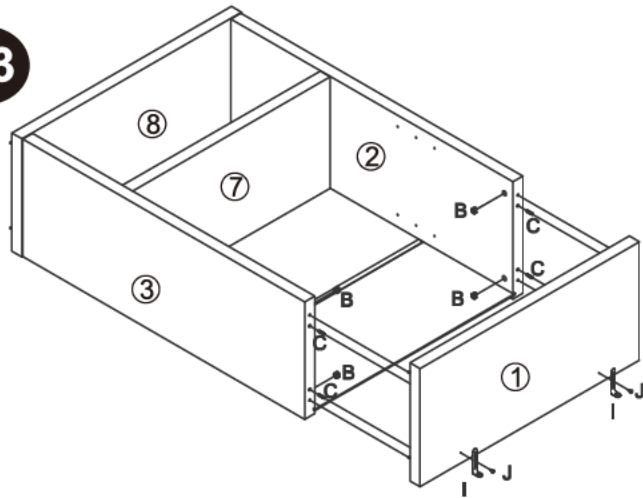
Step 11







Step 12

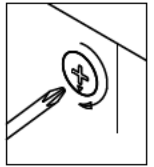
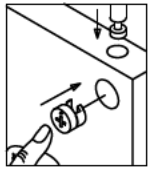
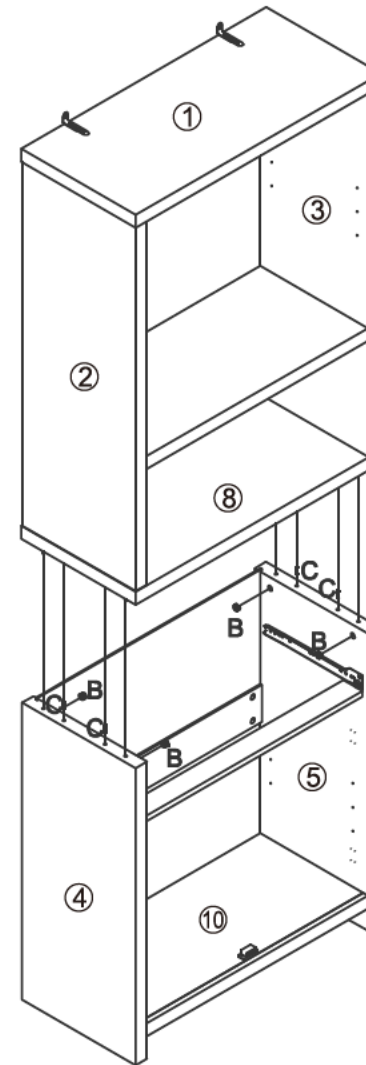




Step 13



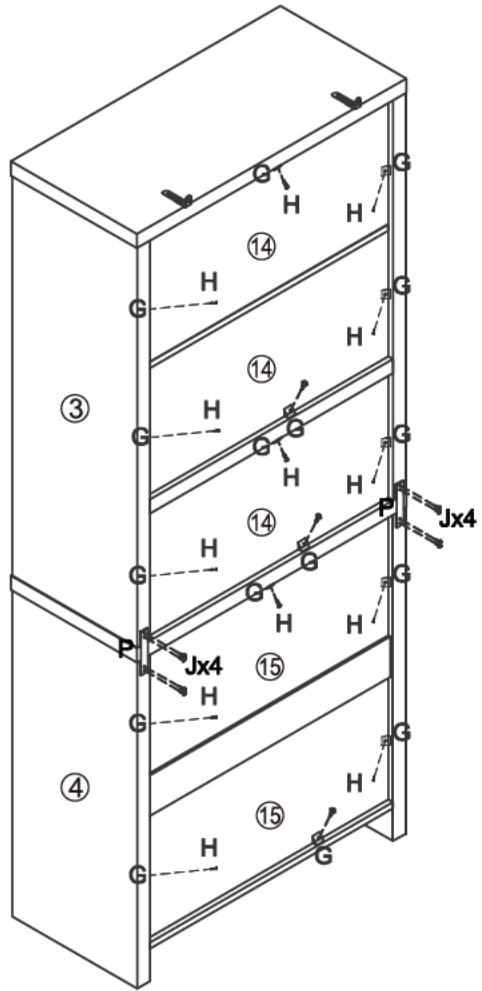
B	x4	C	x4	I	x2	J	x2
							

Step 14



B	x4	C	x4
			

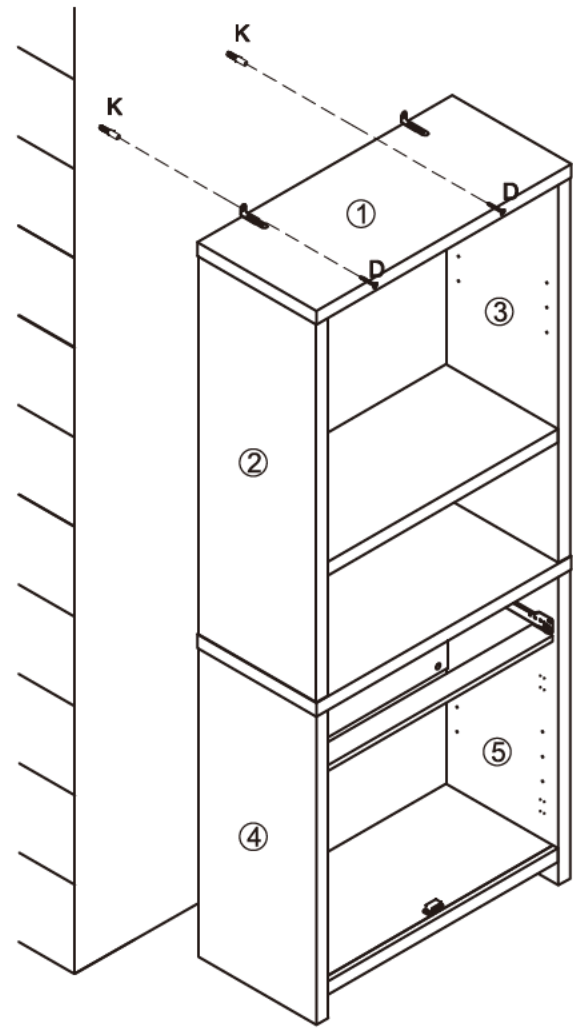
Step 15



- | | | | | | | | |
|----------|-----|----------|-----|----------|----|----------|----|
| G | x16 | H | x16 | P | x2 | J | x8 |
| | | | | | | | |

Step 16

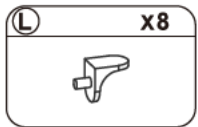
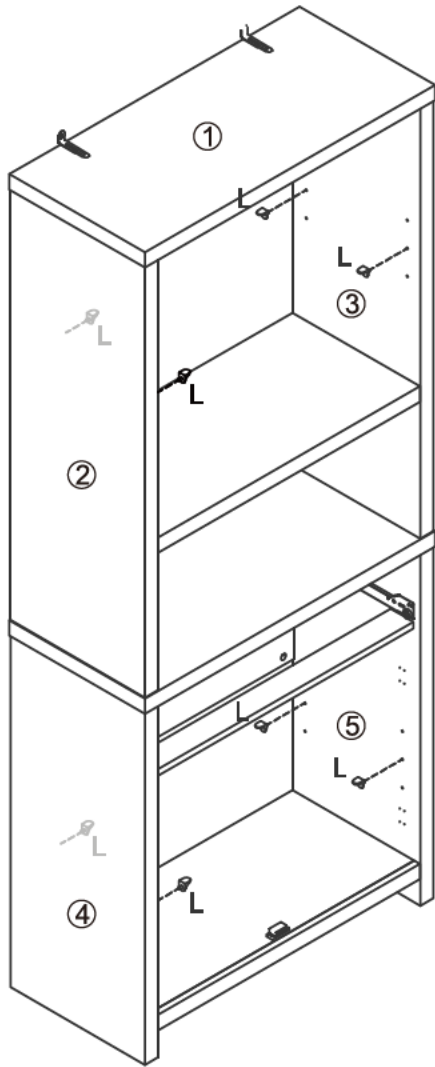
WALL



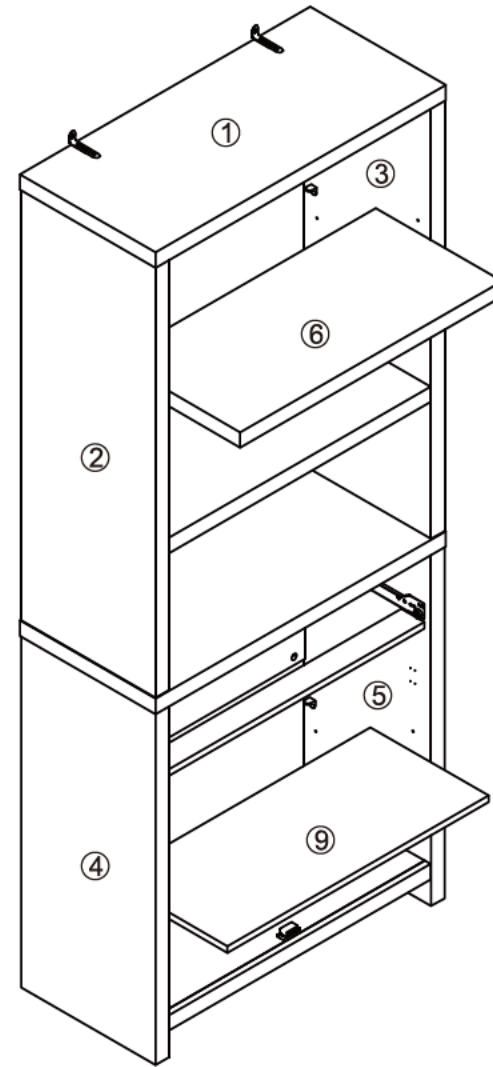
- | | | | |
|----------|----|----------|----|
| D | x2 | K | x2 |
| | | | |

- 1:
- 2:
- 3:
- 4:

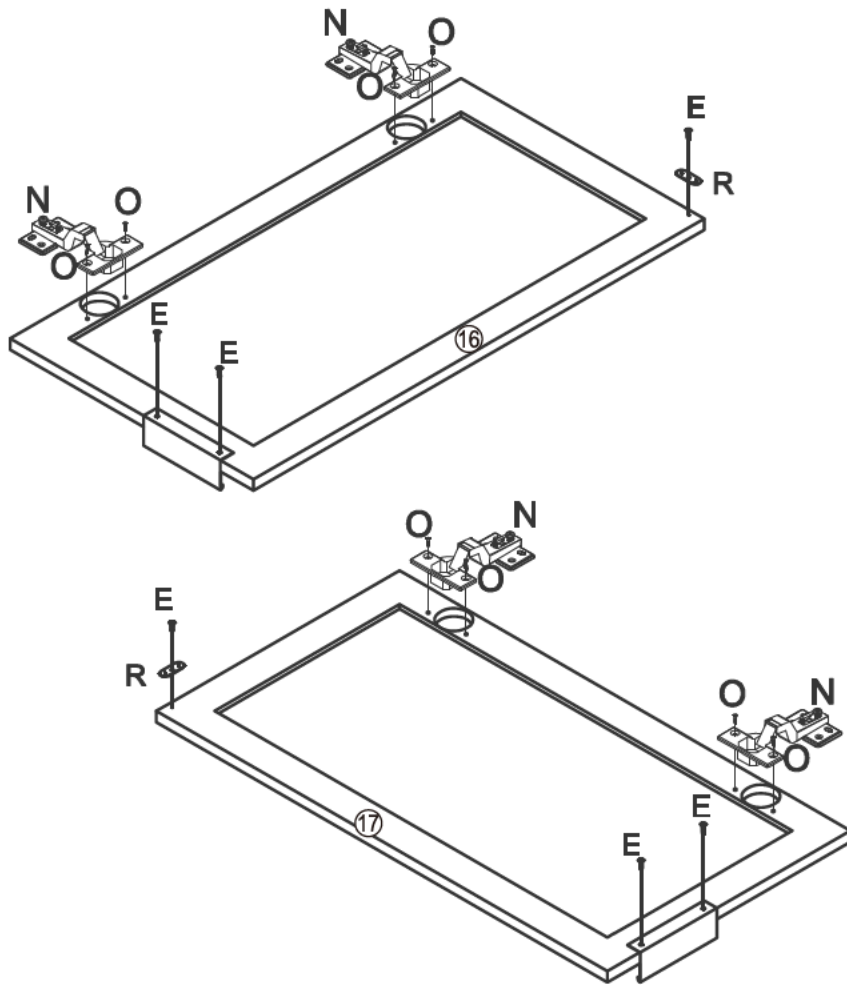
Step 17



Step 18

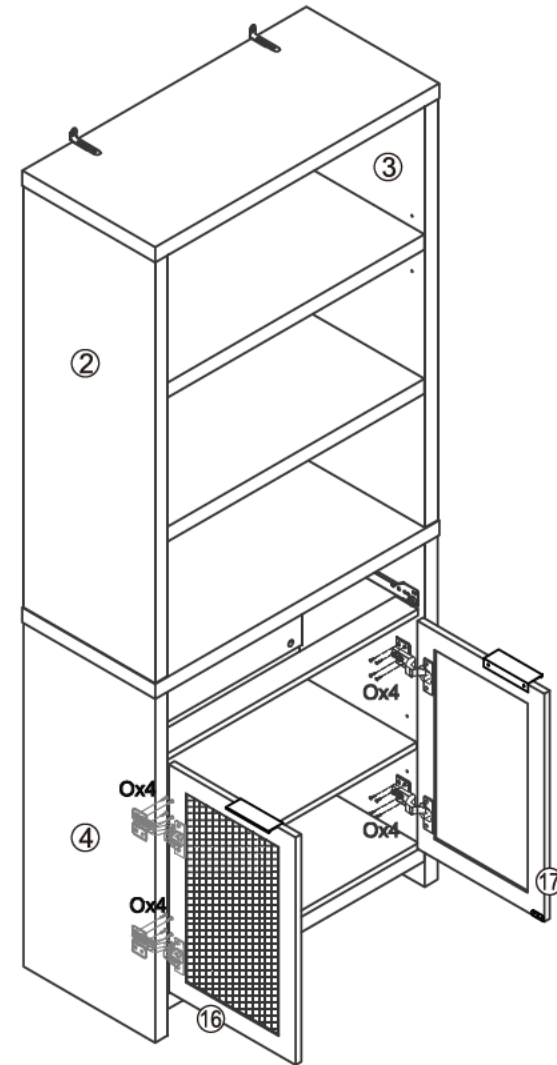


Step 19



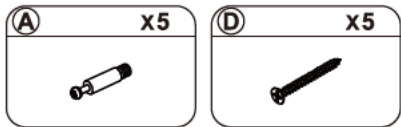
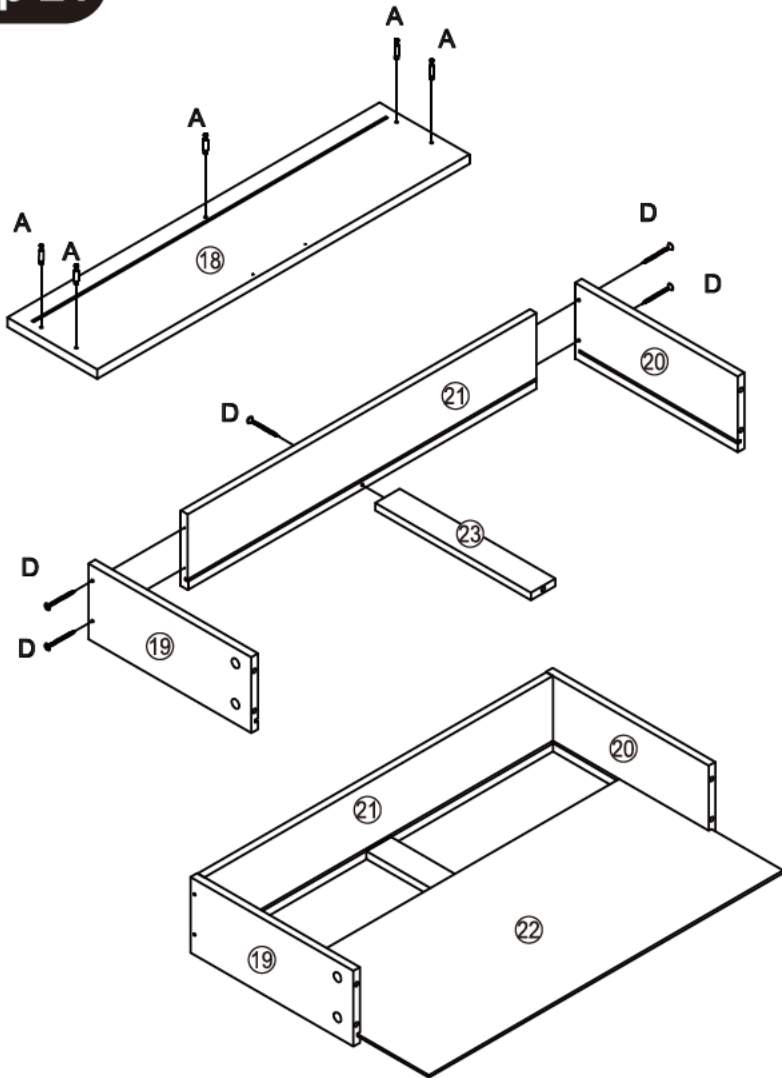
(N) x4	(O) x8	(R) x2	(E) x6	(F) x2

Step 20

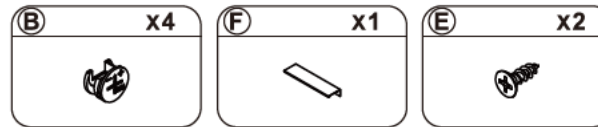
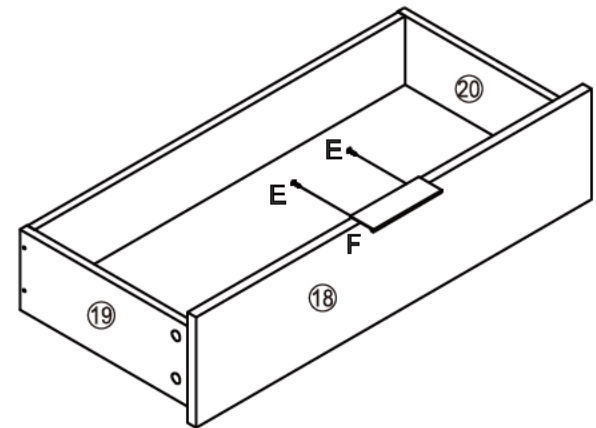
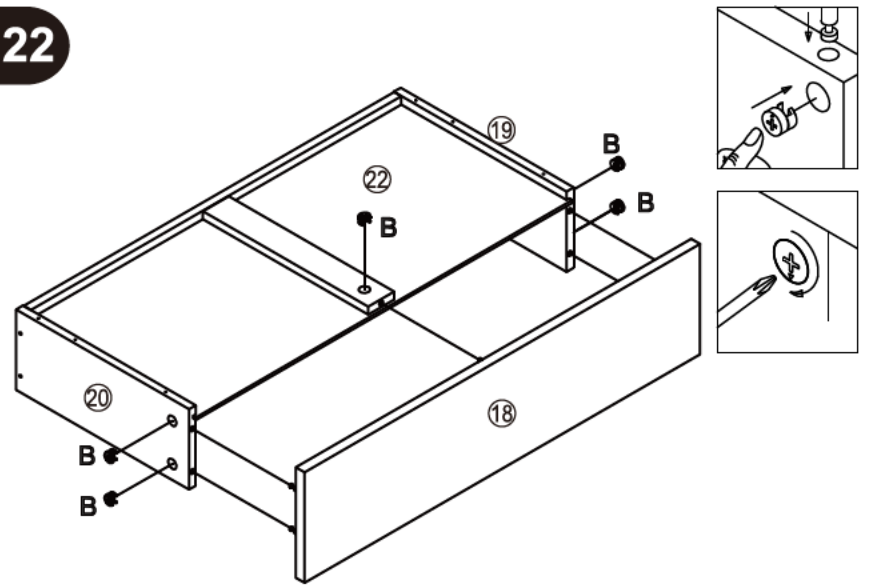


(O) x16

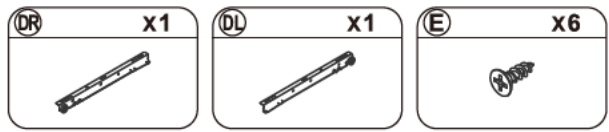
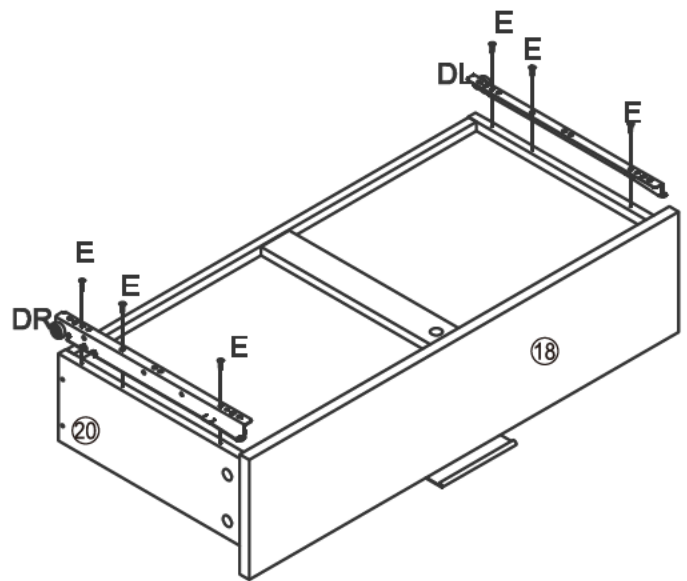
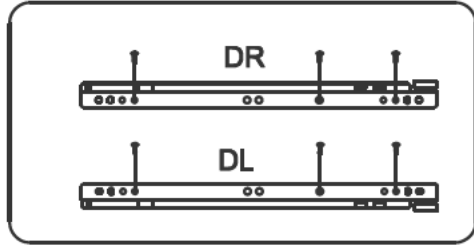
Step 21



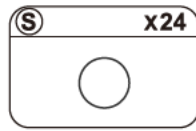
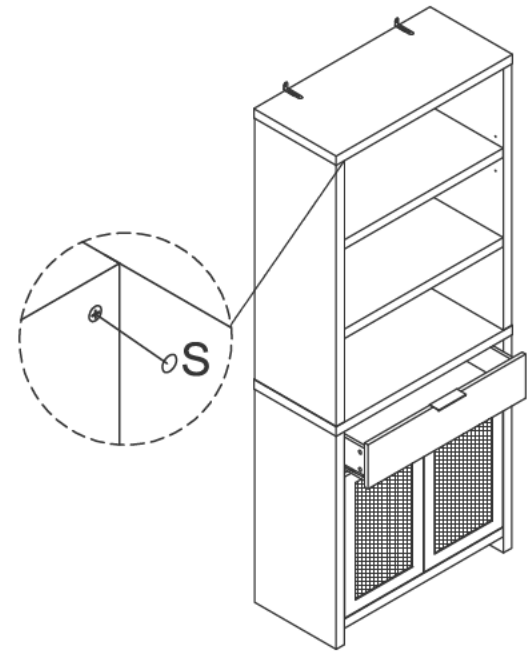
Step 22



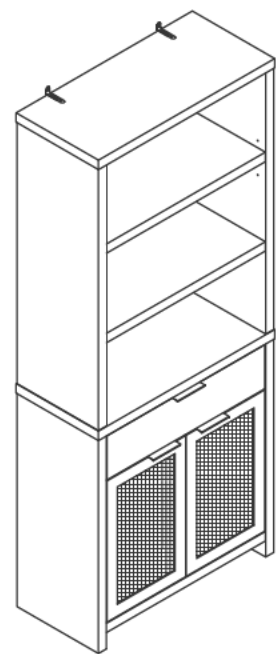
Step 23



Step 24



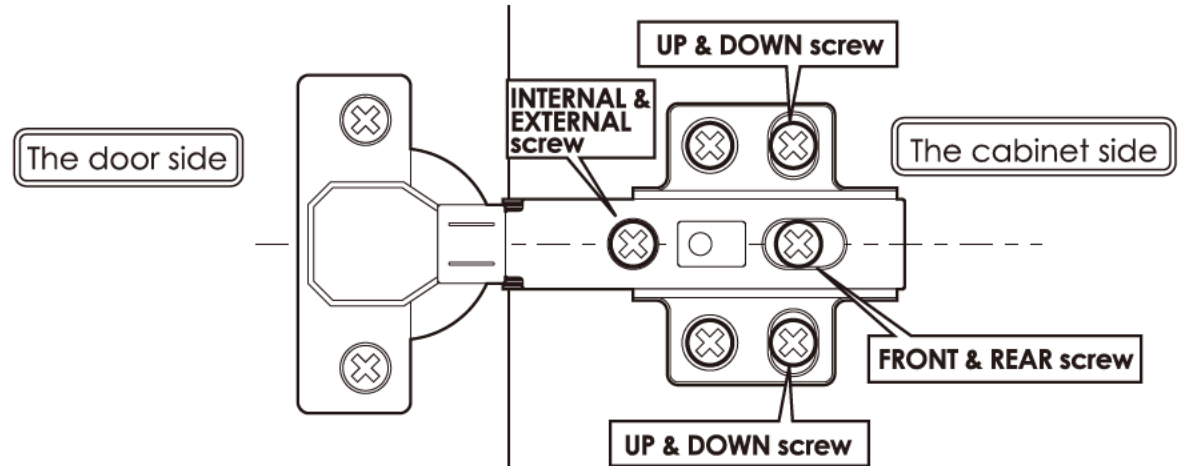
Step 25



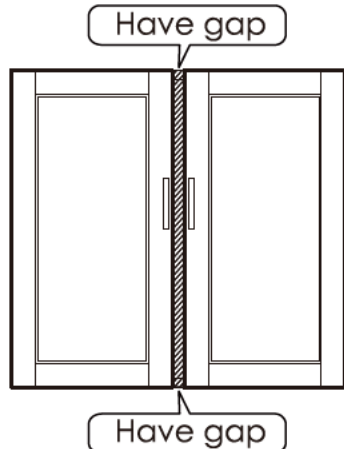
Adjusting the door

- Before adjusting the hinge, please check whether the cabinet is skewed.
- If the skew can not be repaired, please remove the anti-tipping device first, then adjust the cabinet to vertical position.
- Please adjust the hinge with the door open.
- Please operate it with more than 2 people, one person holds the door and the other one adjusts the screw.

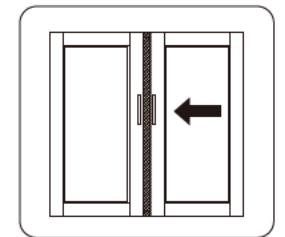
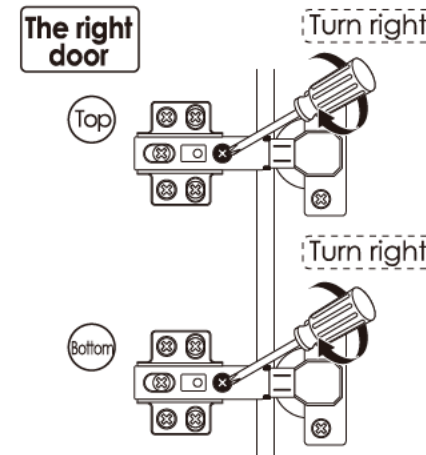
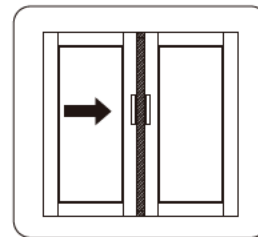
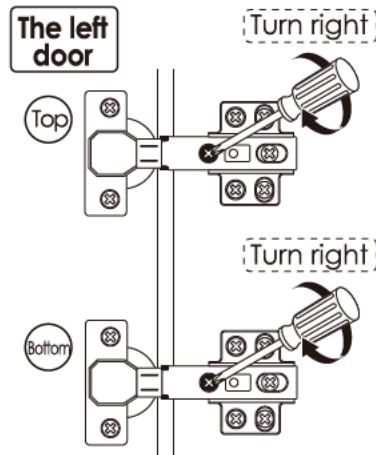
Components Name



Obvious gaps between doors or Doors don't look closed



1 Turn "internal & external screw" to the right can make the door approach inside. Please adjust the doors little by little.



※ If the 2 doors are overlap, please turn the "internal & external screw" to the left.

When door is crooked



Please take the following steps to adjust first.

1 Rotate the "front and rear screws" to the left

Top (Turn left)

Bottom (Turn left)

※ After adjusting the "front and rear screw", the door still does not change, please turn the "internal & external screw" to the right Slightly.

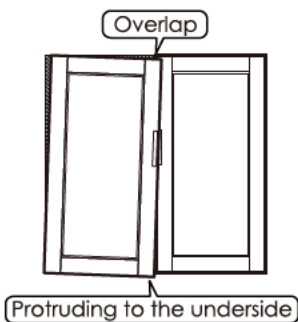
2 Push the door to the cabinet

3 Rotate the "front and rear screws" to the right

Top (Turn right)

Bottom (Turn right)

When door is leaning



1 Turn "internal & external screw" to the left can make the top of the door tilted outward.

Top (Turn left)

Bottom

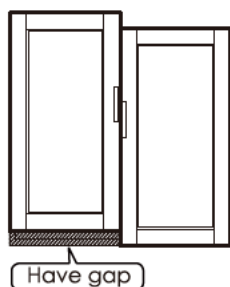


1 Turn "internal & external screw" to the left can make the bottom of the door tilted outward.

Top

Bottom (Turn left)

When the door is higher on top



1 Turn "up & down screw" to the left

Top (Turn left)

Bottom (Turn left)

2 Lower the door's height so that 2 doors are of the same height.

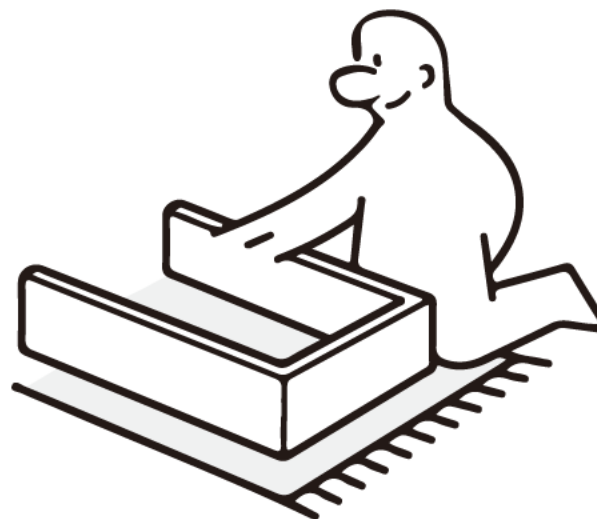
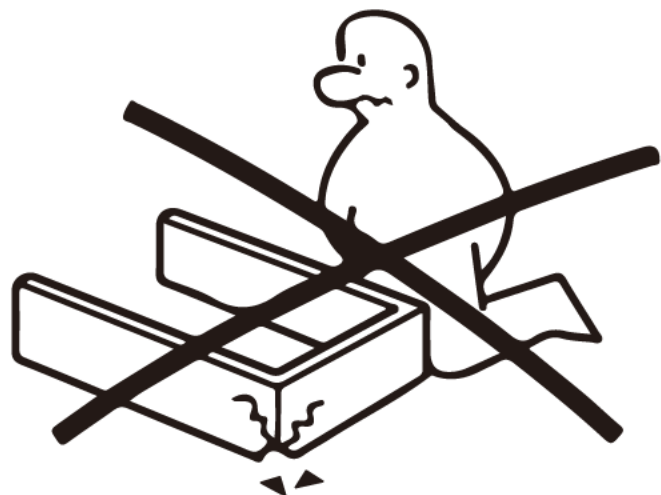
3 Turn "up & down screw" to the right

Top (Turn right)

Bottom (Turn right)

※ If the door is lower on bottom, please lift up the left door slightly on step 2

※ **Stay Scratch-Free: Safeguard Your Furniture by Assembling on Carpet.**



※ **Stuck in Assembly Limbo? Check out our website or contact our support team for quick solutions!**

