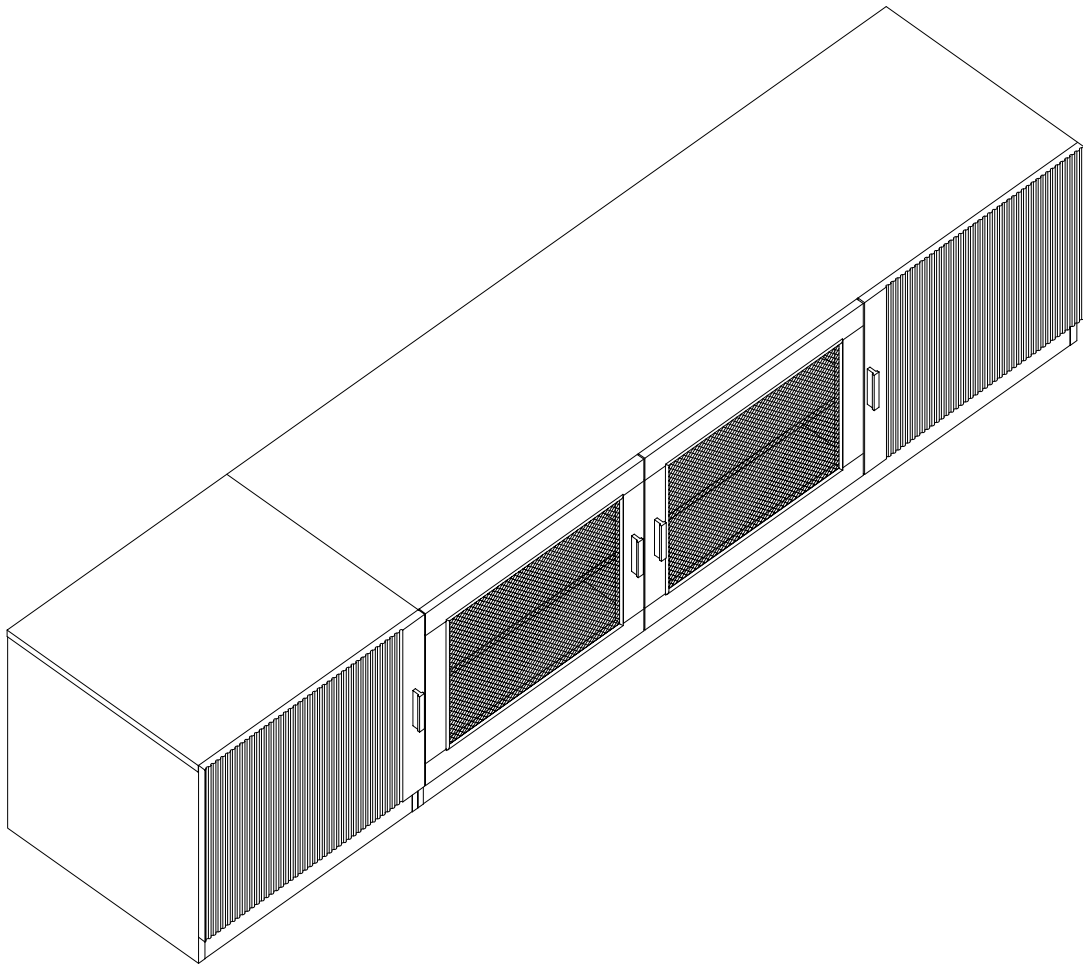


# TV STAND

Assembly Instructions - Please keep for future reference.



## DIMENSIONS

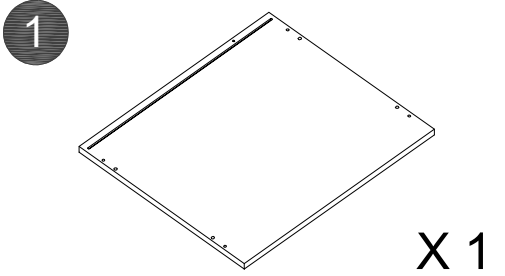
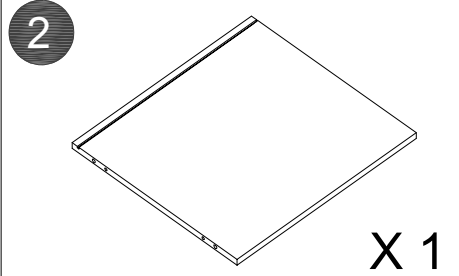
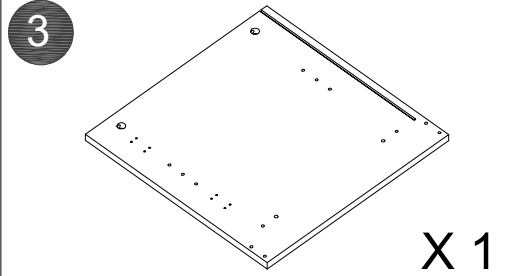
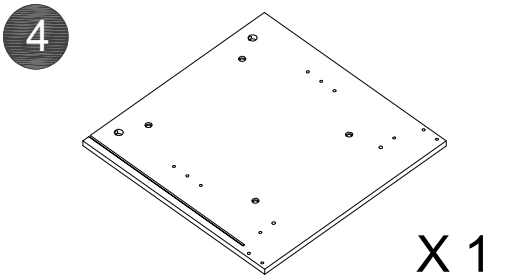
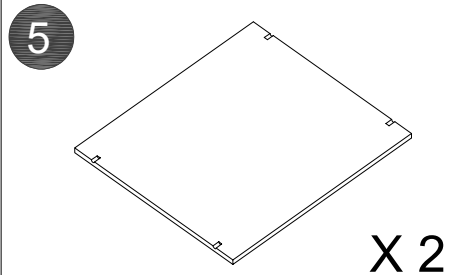
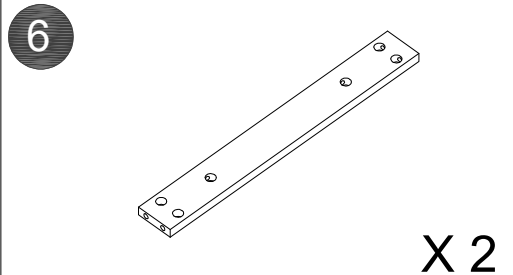
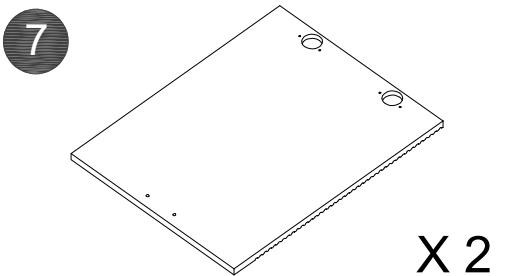
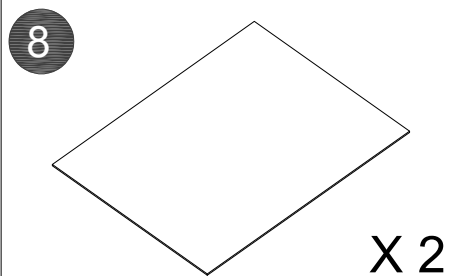
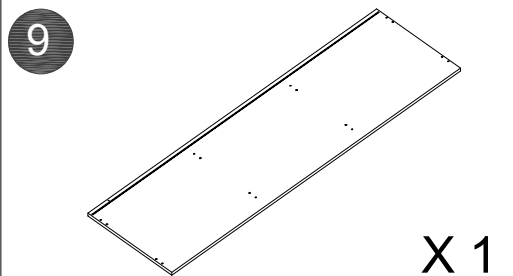
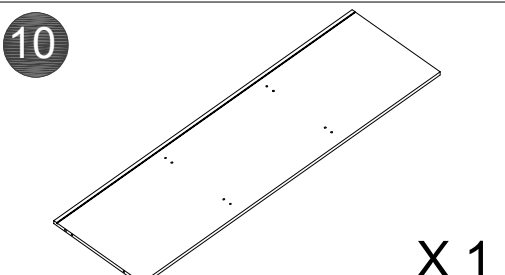
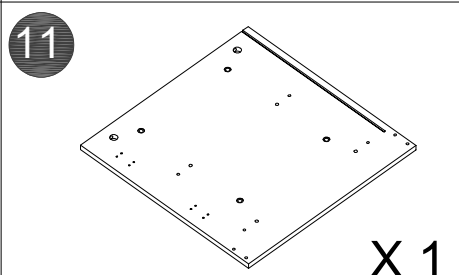
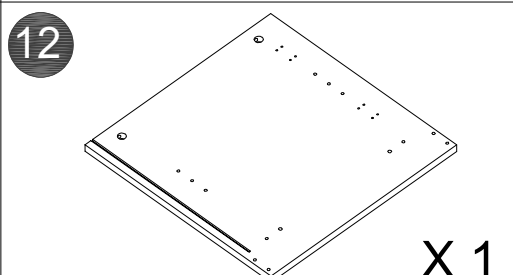
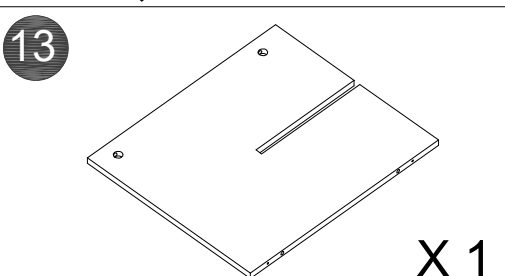
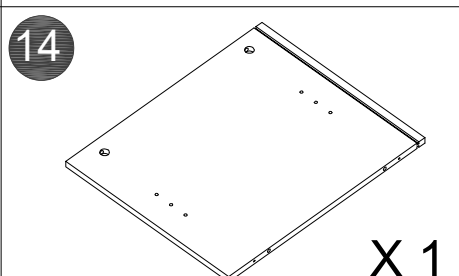
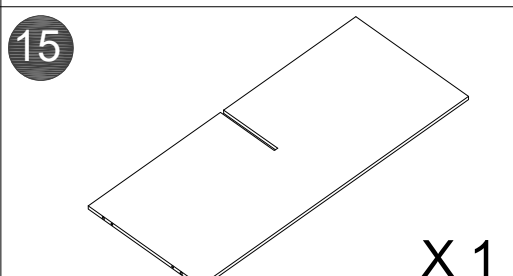
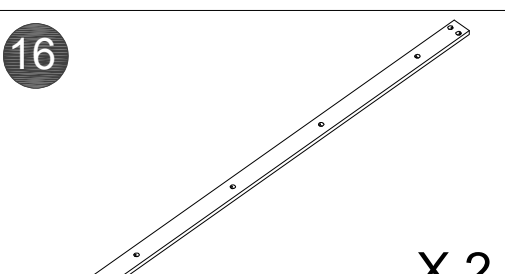
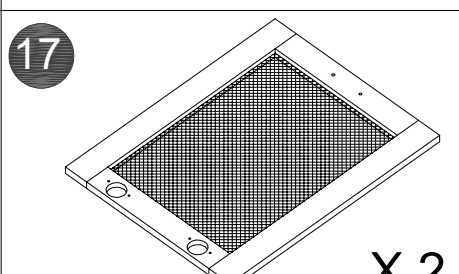
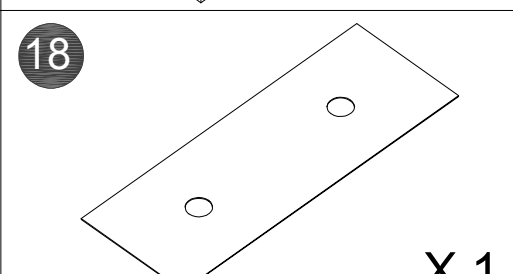
width-78.75inch  
Depth-17.75inch  
Height-17.75inch

**Important - Please read these instructions fully before starting assembly.**

# components - fittings

Please check you have all the panels listed below.

Note: The quantities below are the correct amount to complete the assembly. In some cases more fittings may be supplied than are required.




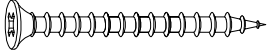
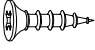
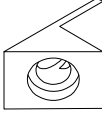
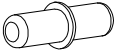
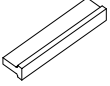

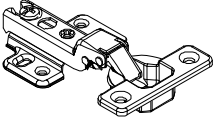
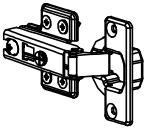
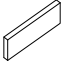

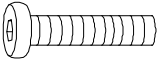
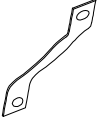
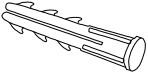
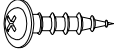
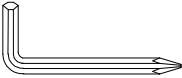
 <p>1</p> <p>X 1</p>	 <p>2</p> <p>X 1</p>	 <p>3</p> <p>X 1</p>
 <p>4</p> <p>X 1</p>	 <p>5</p> <p>X 2</p>	 <p>6</p> <p>X 2</p>
 <p>7</p> <p>X 2</p>	 <p>8</p> <p>X 2</p>	 <p>9</p> <p>X 1</p>
 <p>10</p> <p>X 1</p>	 <p>11</p> <p>X 1</p>	 <p>12</p> <p>X 1</p>
 <p>13</p> <p>X 1</p>	 <p>14</p> <p>X 1</p>	 <p>15</p> <p>X 1</p>
 <p>16</p> <p>X 2</p>	 <p>17</p> <p>X 2</p>	 <p>18</p> <p>X 1</p>

# components - fittings

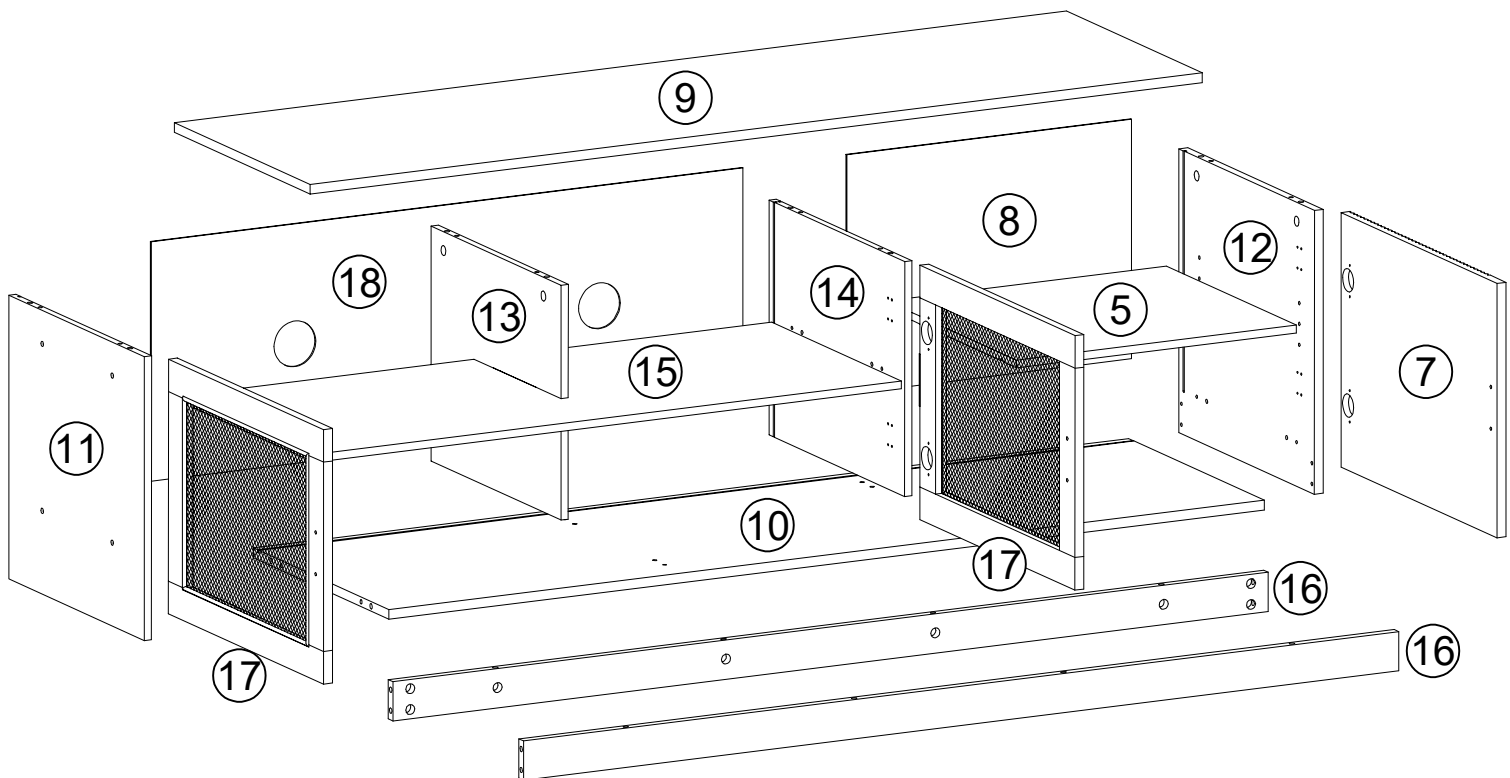
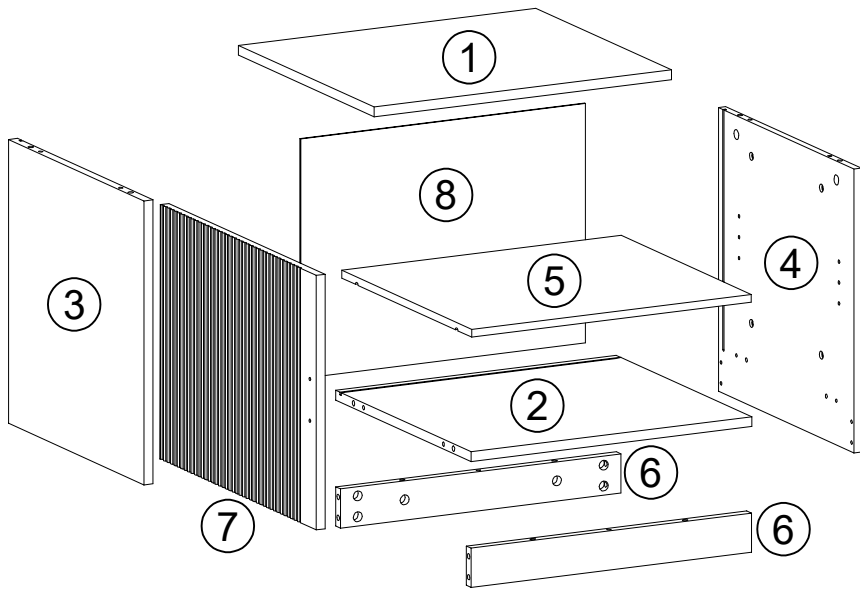
Please check you have all the panels listed below.

Note: The quantities below are the correct amount to complete the assembly. In some cases more fittings may be supplied than are required.

## Hardware-Liste

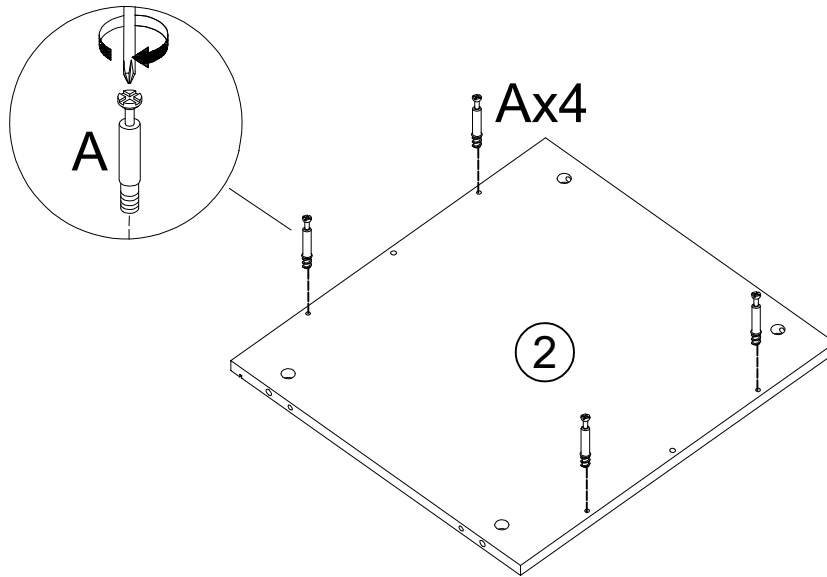
<p><b>A</b> X 52</p>  <p>M6x35mm</p>	<p><b>B</b> X 52</p>  <p>Φ15mm</p>	<p><b>C</b> X 30</p>  <p>Φ6x30mm</p>	<p><b>D</b> X 6</p>  <p>M4x35mm</p>
<p><b>E</b> X 60</p>  <p>M3.5x14mm</p>	<p><b>F</b> X 12</p> 	<p><b>G</b> X 8</p> 	<p><b>H</b> X 4</p> 
<p><b>I</b> X 8</p>  <p>M4x18mm</p>	<p><b>J</b> X 2</p> 	<p><b>K</b> X 6</p> 	<p><b>L</b> X 10</p>  <p>EVA</p>
<p><b>M</b> X20</p>  <p>Ø20mm</p>	<p><b>N</b> X4</p>  <p>M6x18mm</p>	<p><b>O</b> X 2</p> 	<p><b>P</b> X 2</p> 
<p><b>Q</b> X 2</p>  <p>M4x14mm</p>	<p><b>R</b> X1</p>  <p>4#</p>		

# Assembly Instructions



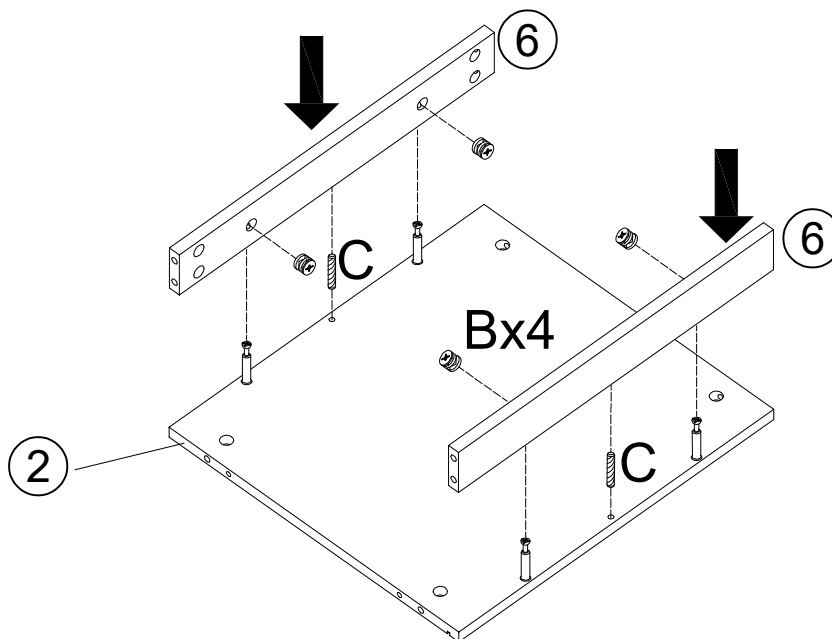
# Assembly Instructions

## STEP 1



A	x4
M6x35mm	

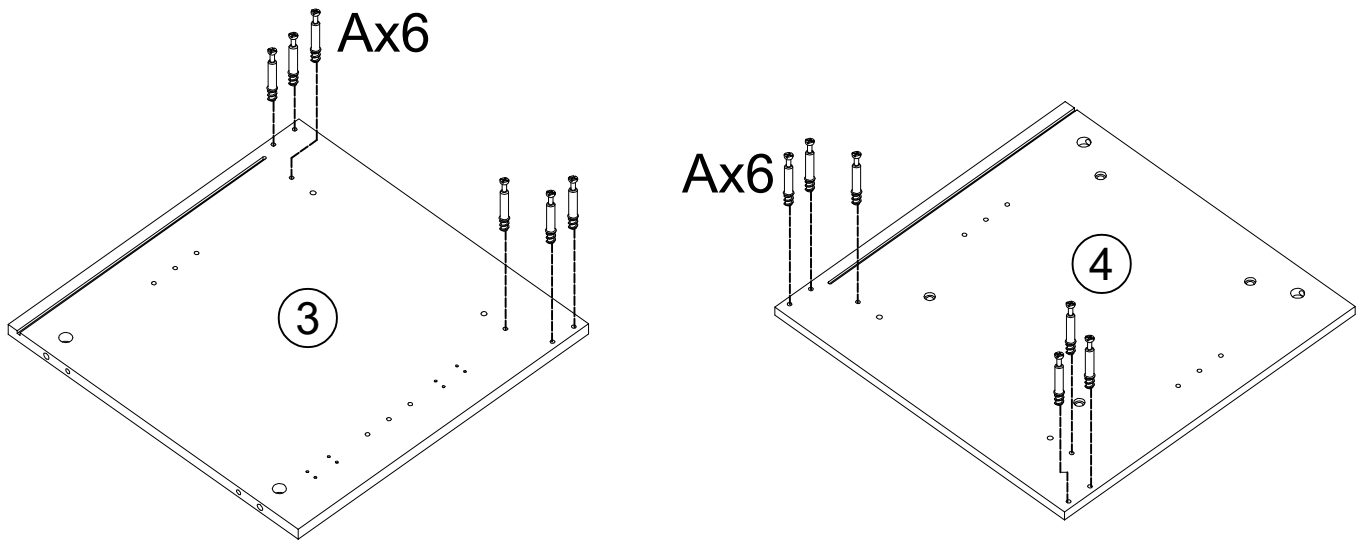
## STEP 2

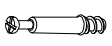


B	x4	C	x2
Ø15mm		Φ6x30mm	

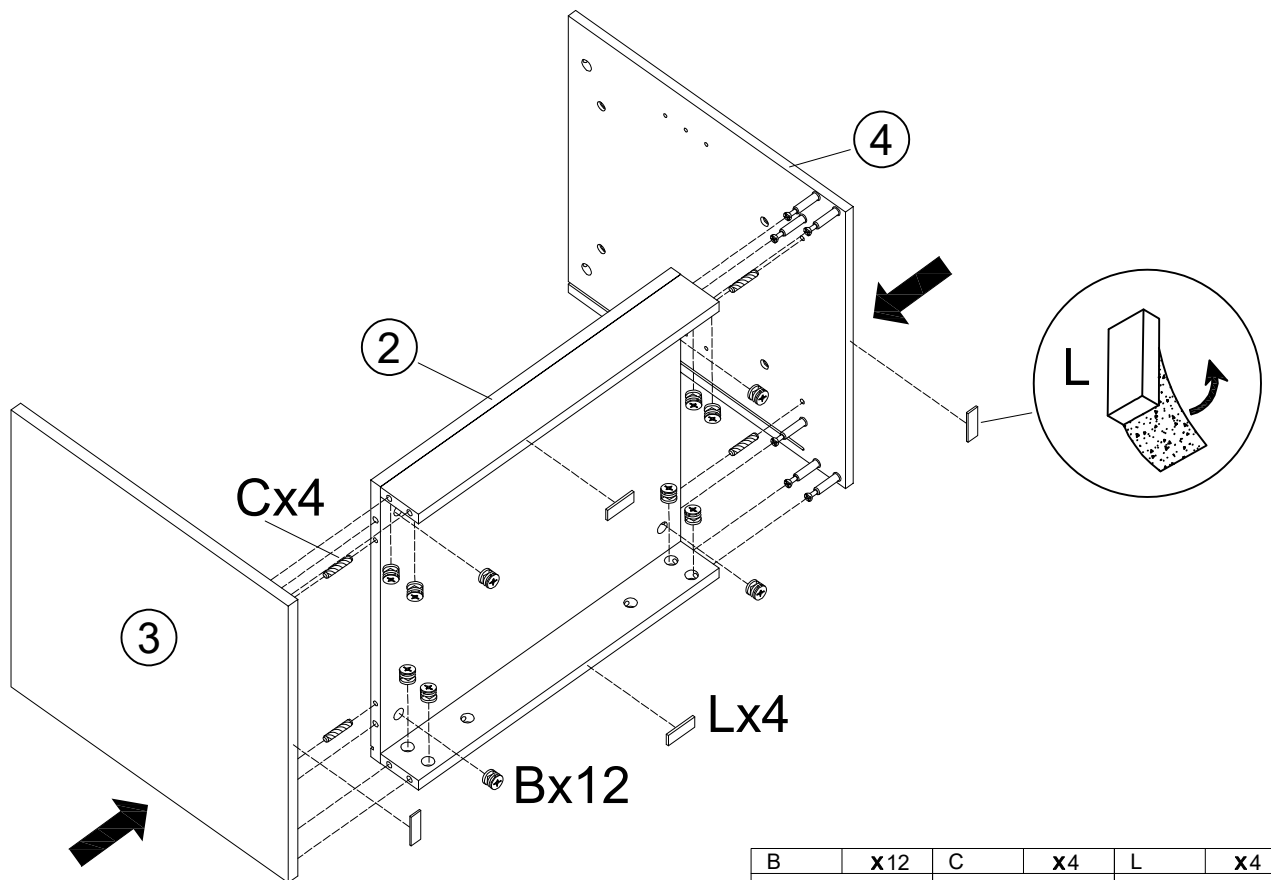
# Assembly Instructions



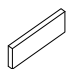
## STEP 3



A	x12
	
M6x35mm	

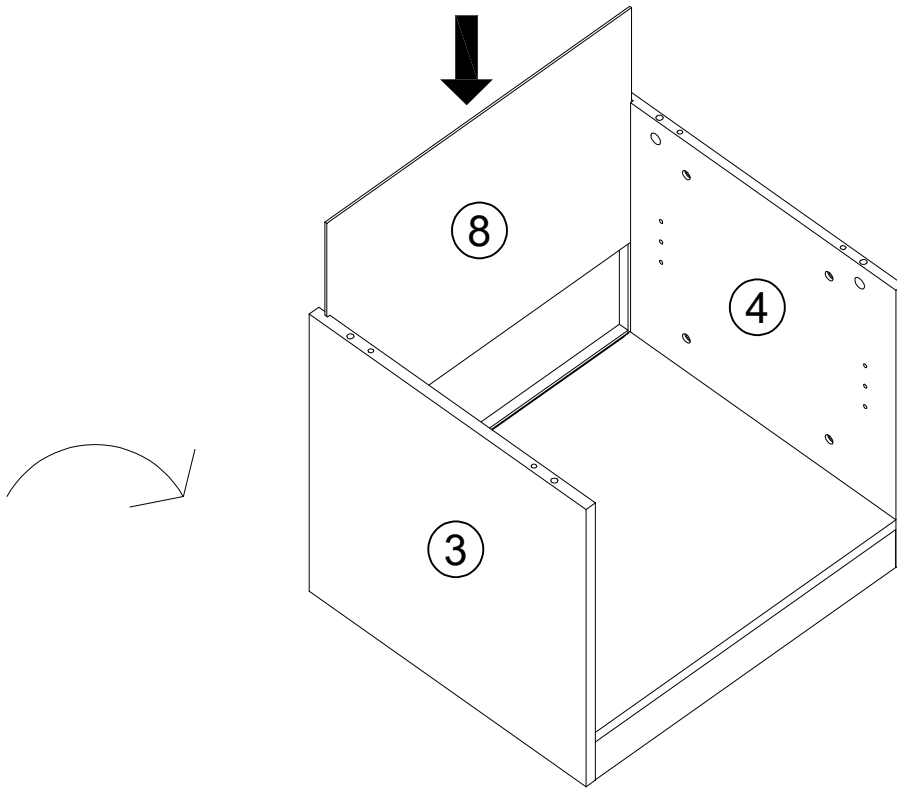
## STEP 4



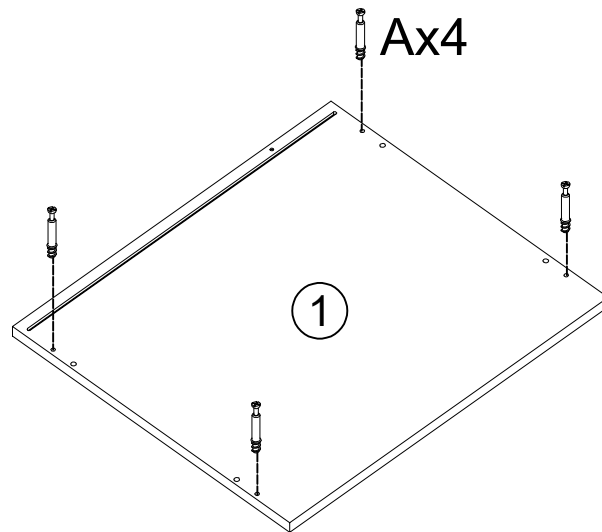
B	x12	C	x4	L	x4
					
Ø15mm		Φ6x30mm		EVA	

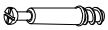
# Assembly Instructions

## STEP 5



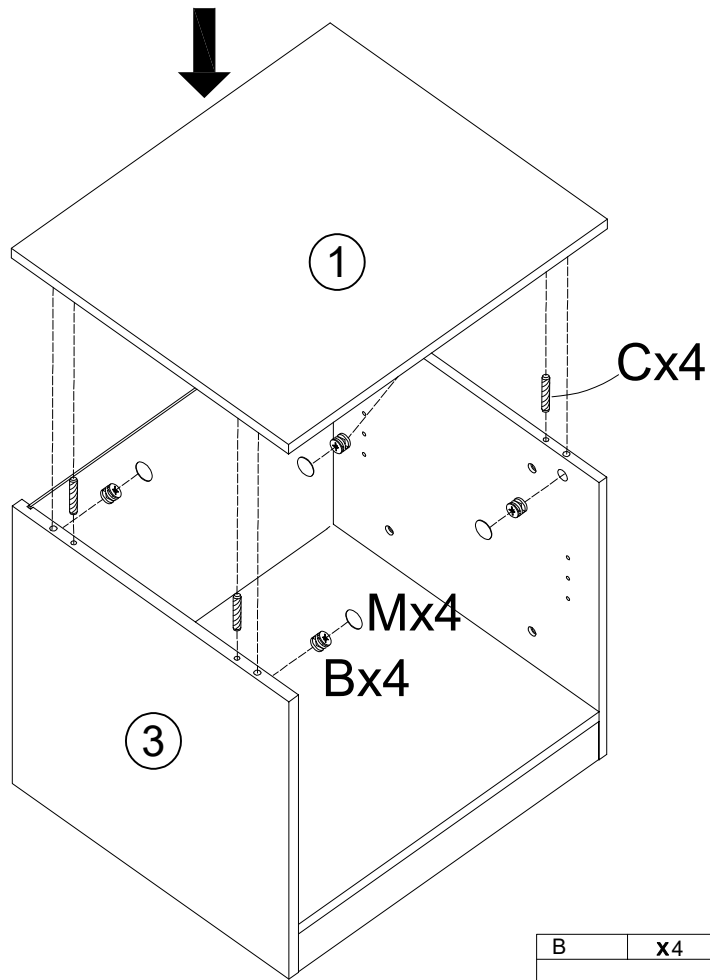
## STEP 6






A	x4
	
M6x35mm	

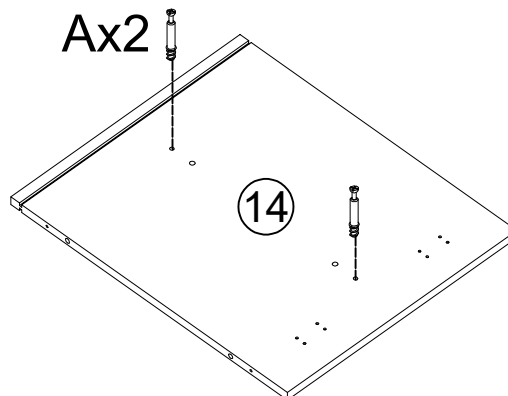
# Assembly Instructions


## STEP 7



B	x4	C	x4	M	x4
					
Ø15mm		Φ6x30mm		Φ20mm	

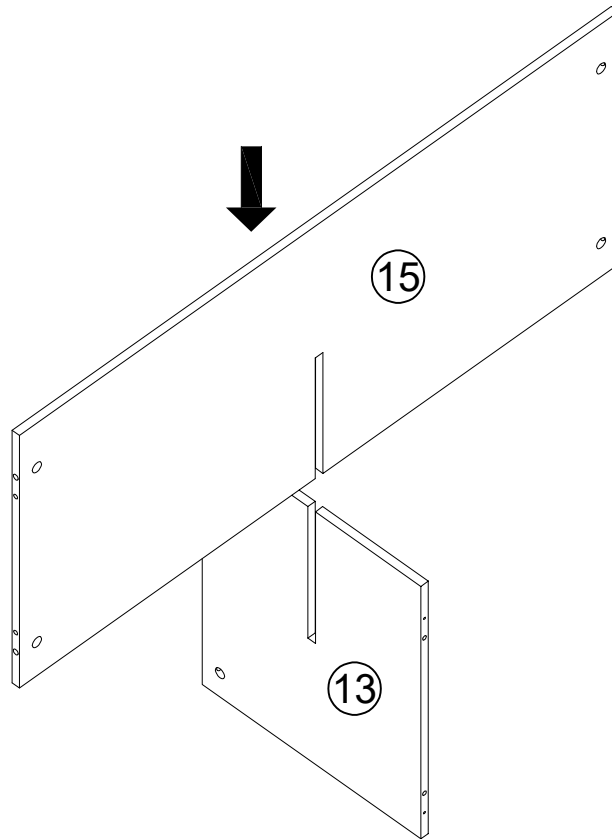
## STEP 8



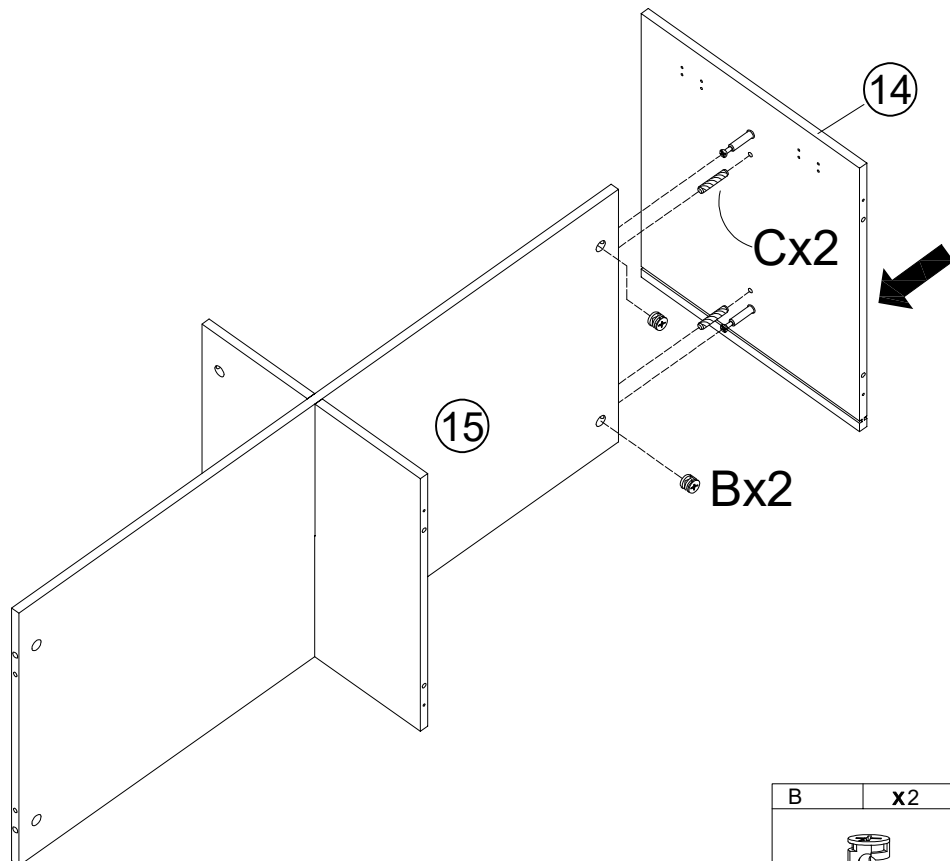
A	x2
	
M6x35mm	


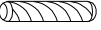
# Assembly Instructions

## STEP 9



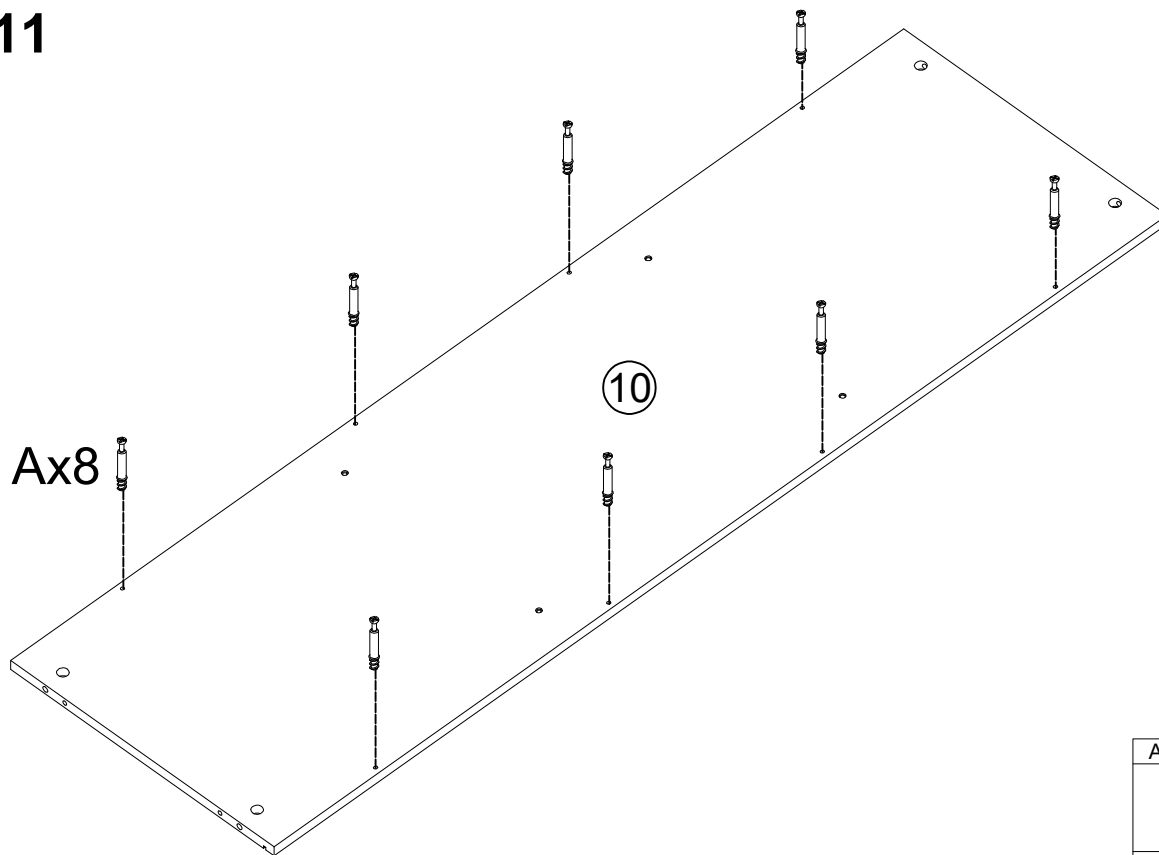
## STEP 10



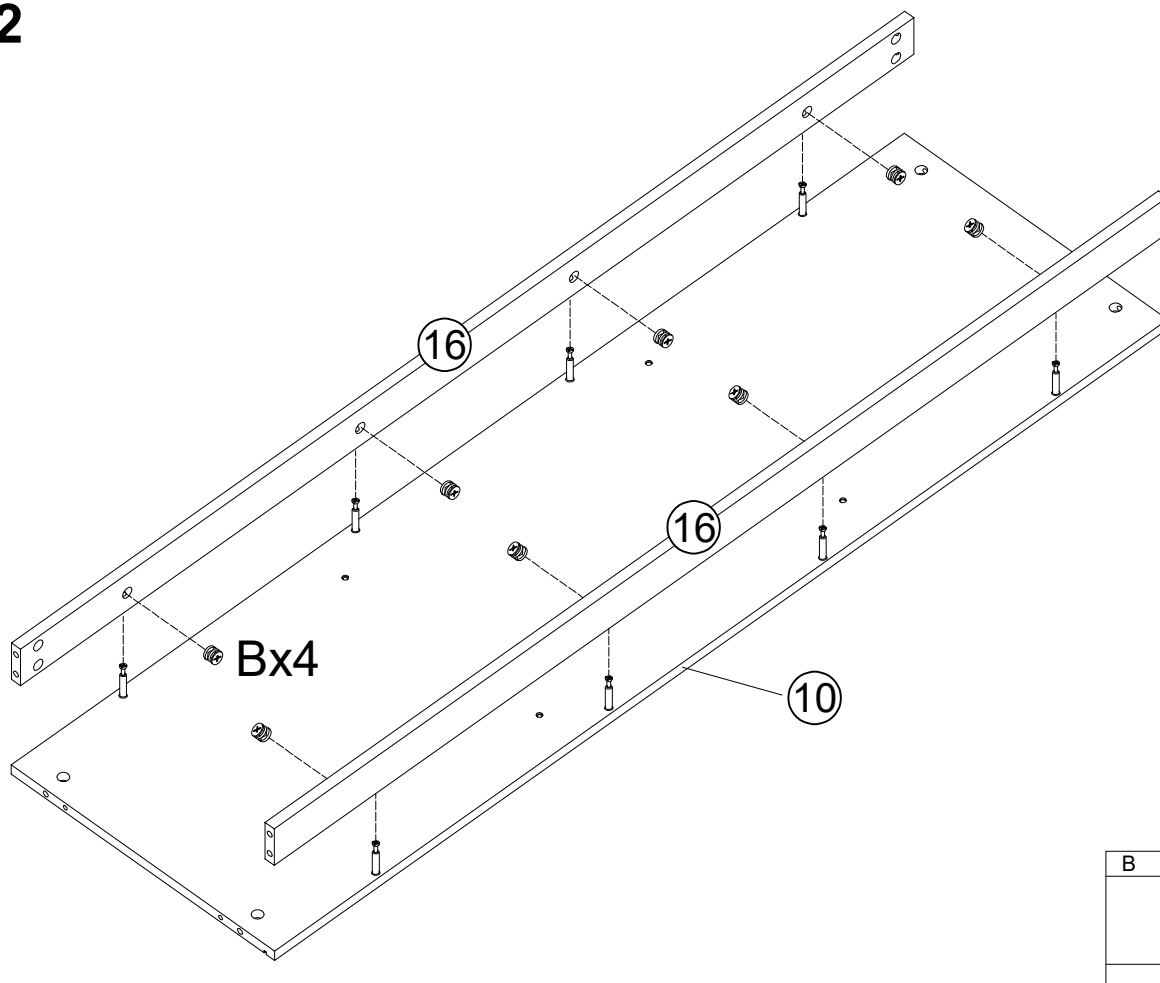
B	x2	C	x2
			
Ø15mm		Φ6x30mm	

# Assembly Instructions

## STEP 11

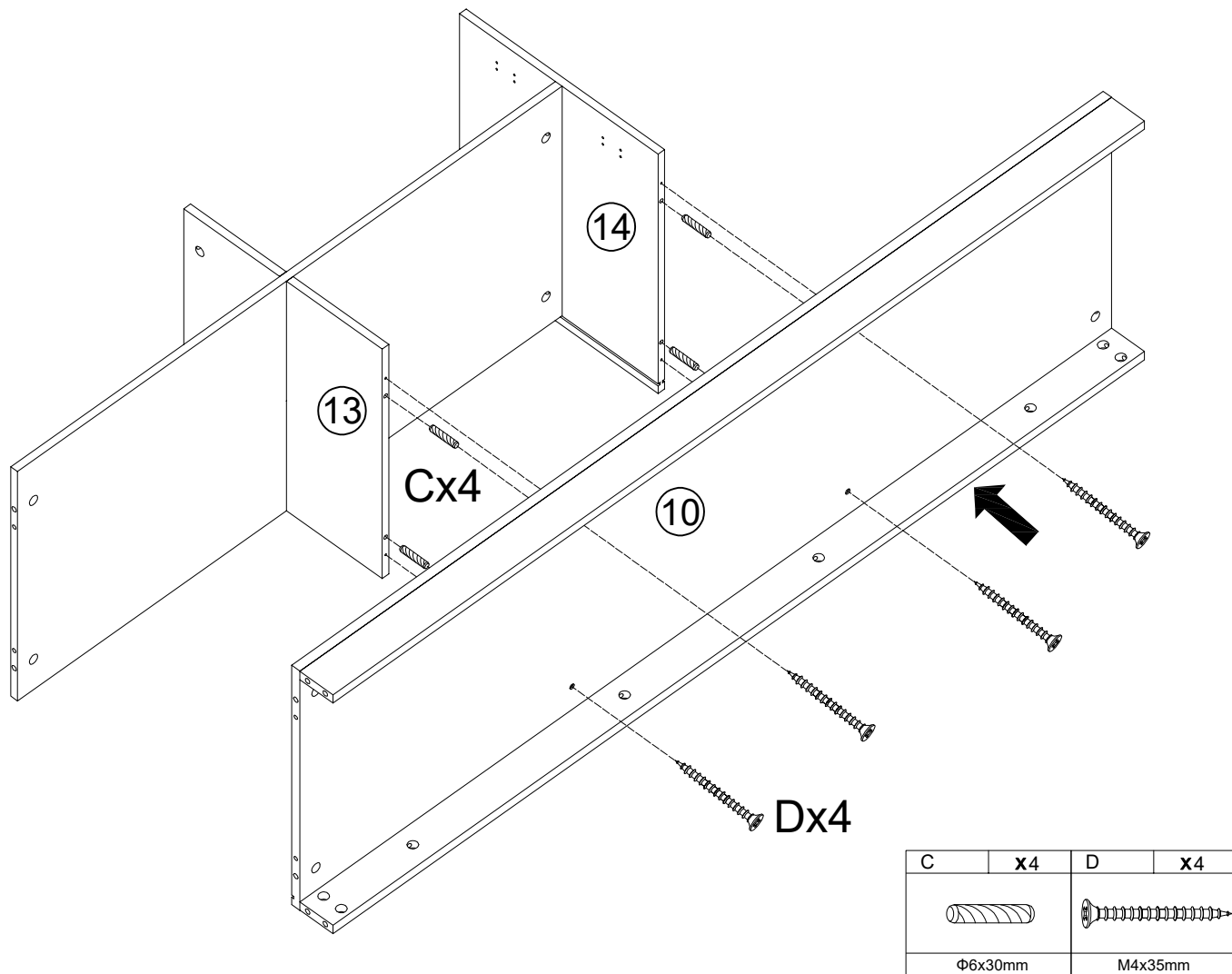


## STEP 12

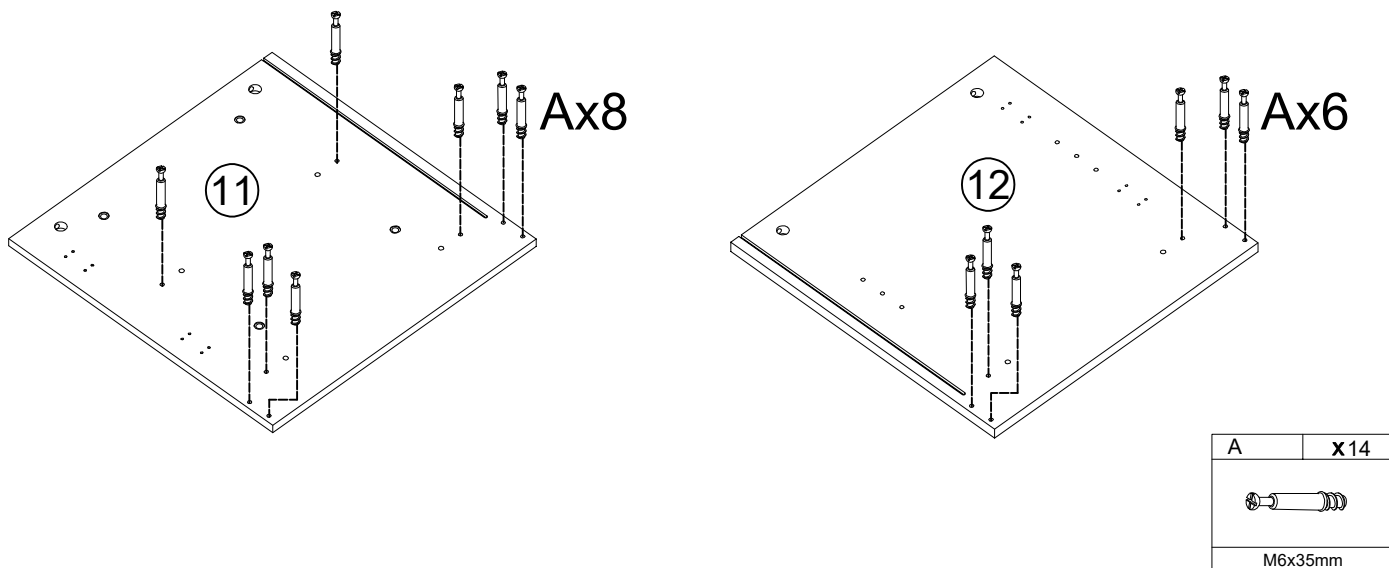


# Assembly Instructions

## STEP 13

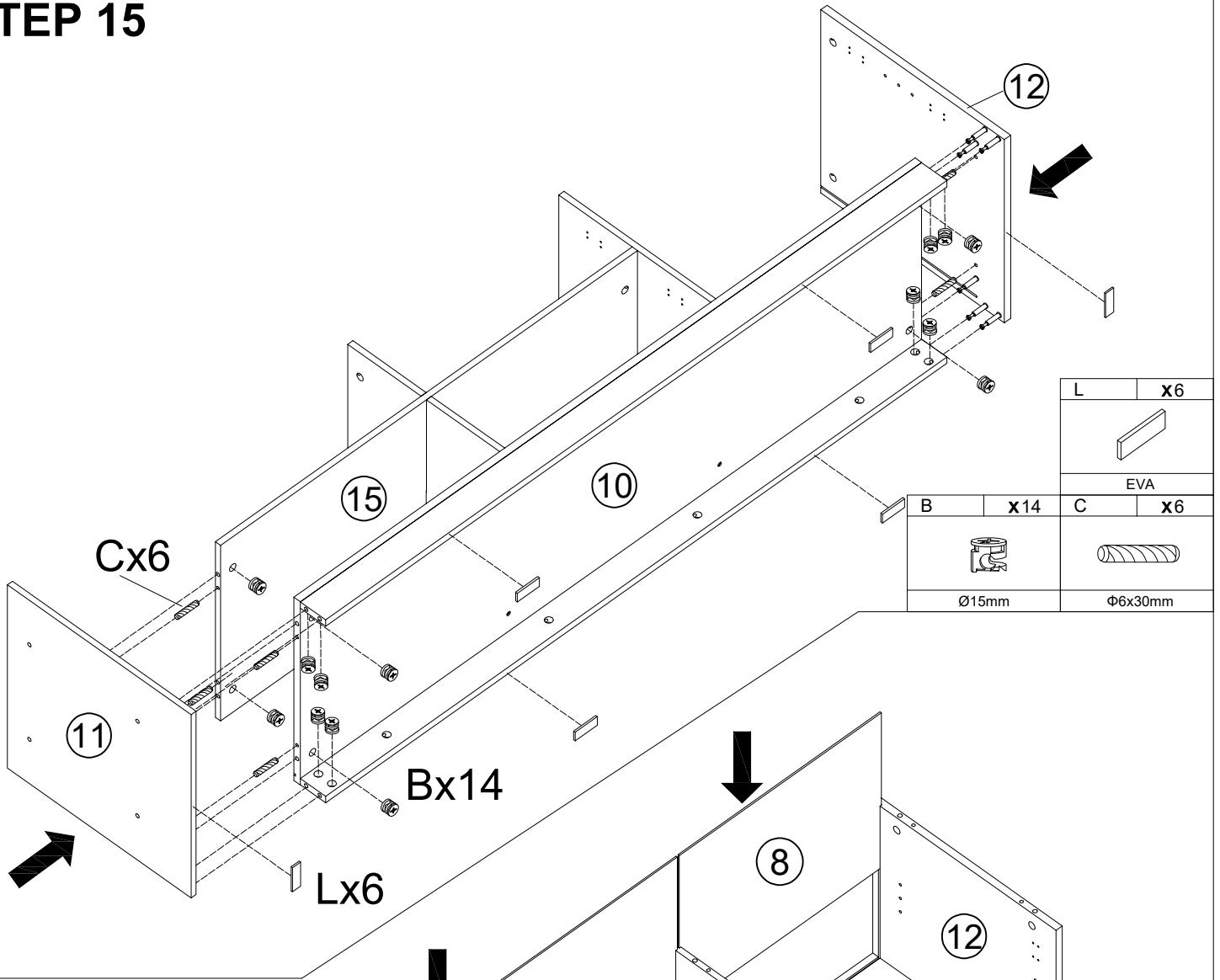


## STEP 14

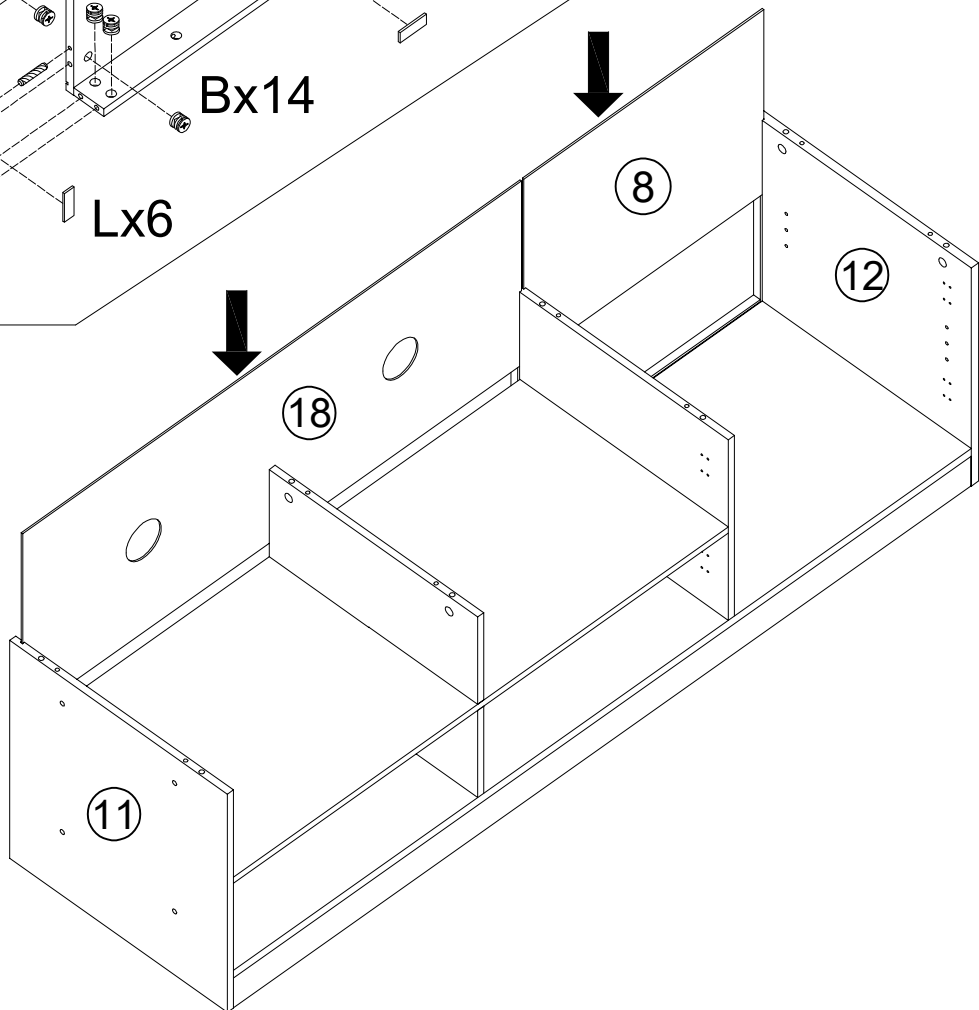


# Assembly Instructions

## STEP 15

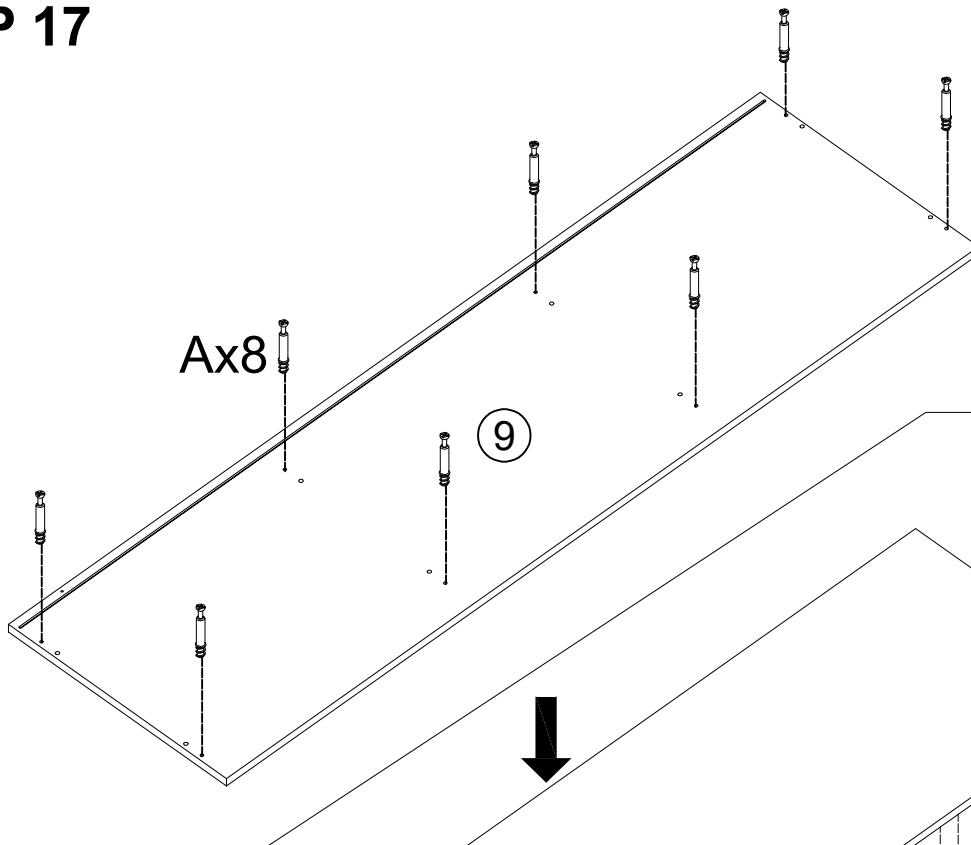


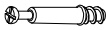
## STEP 16



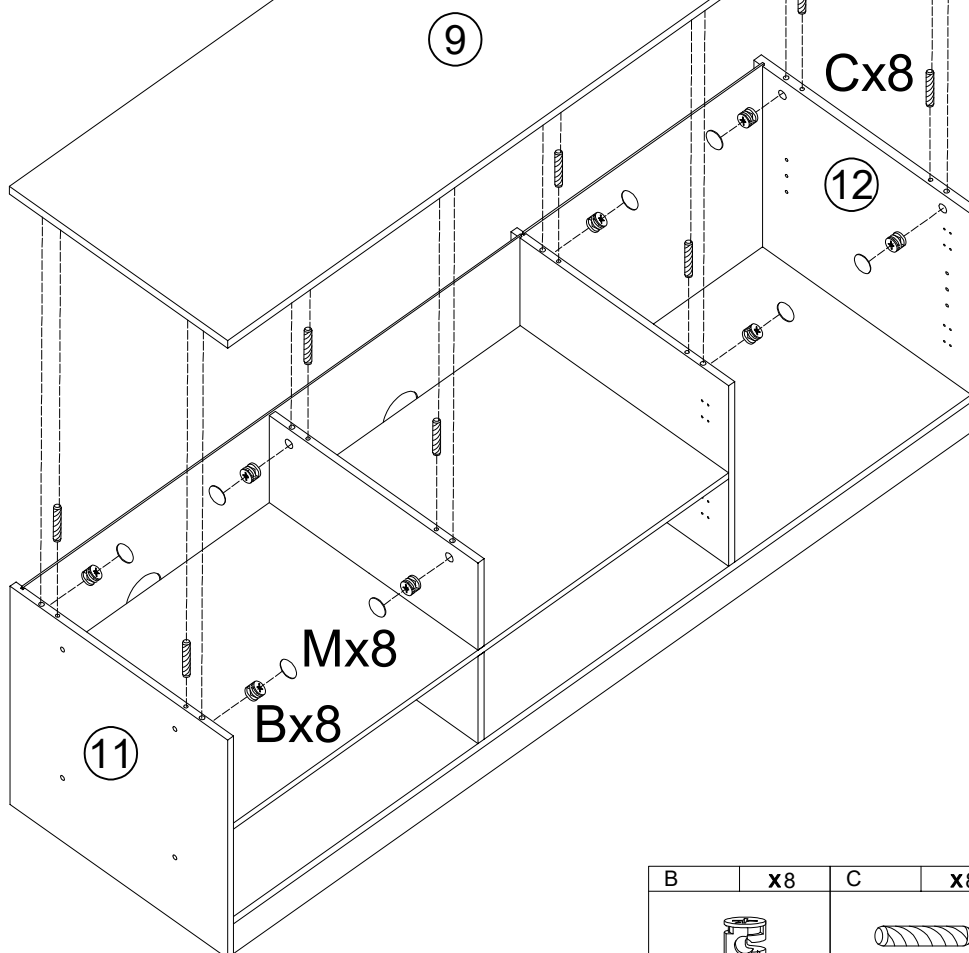
# Assembly Instructions




## STEP 17



A	x8
	
M6x35mm	

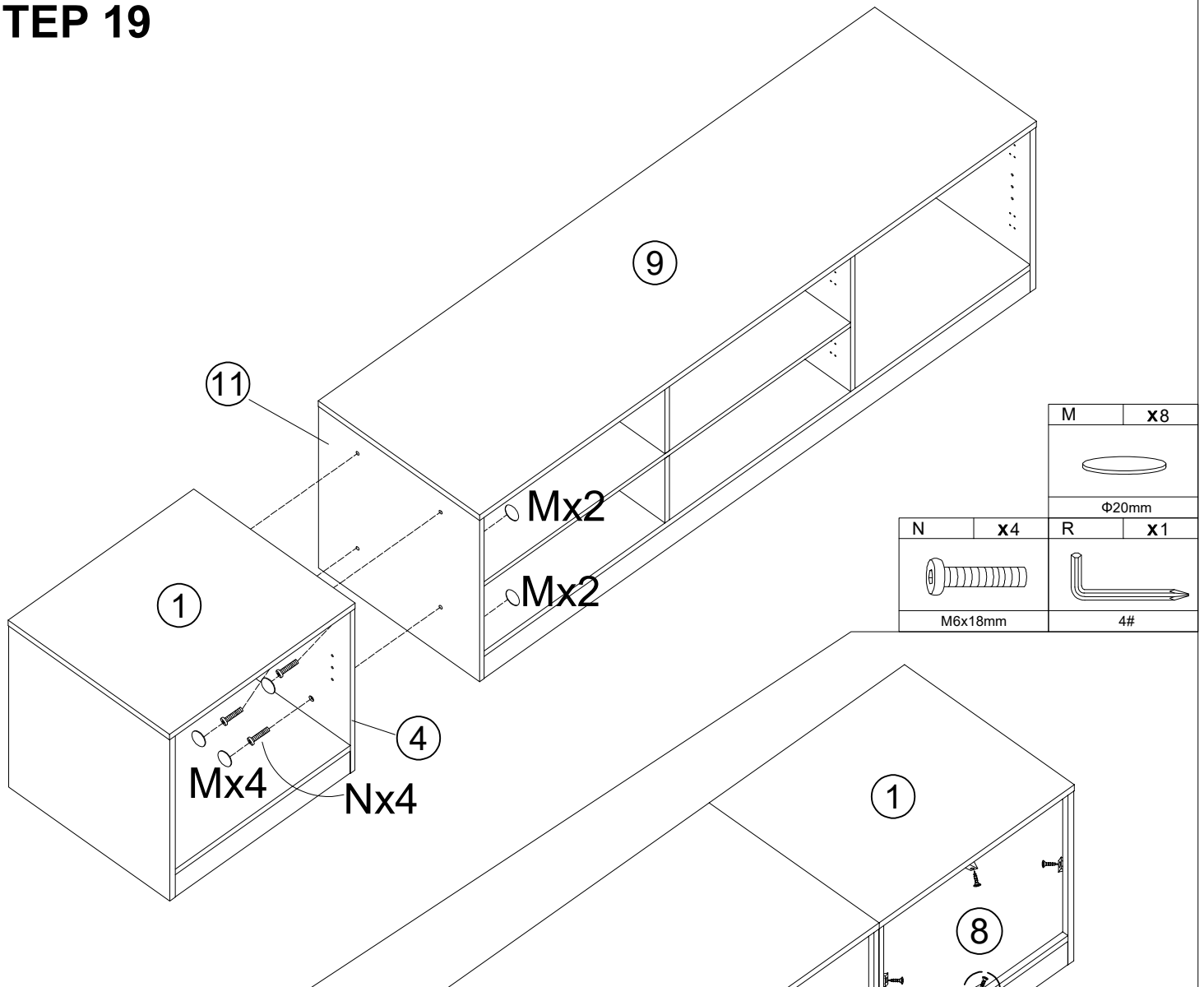
## STEP 18



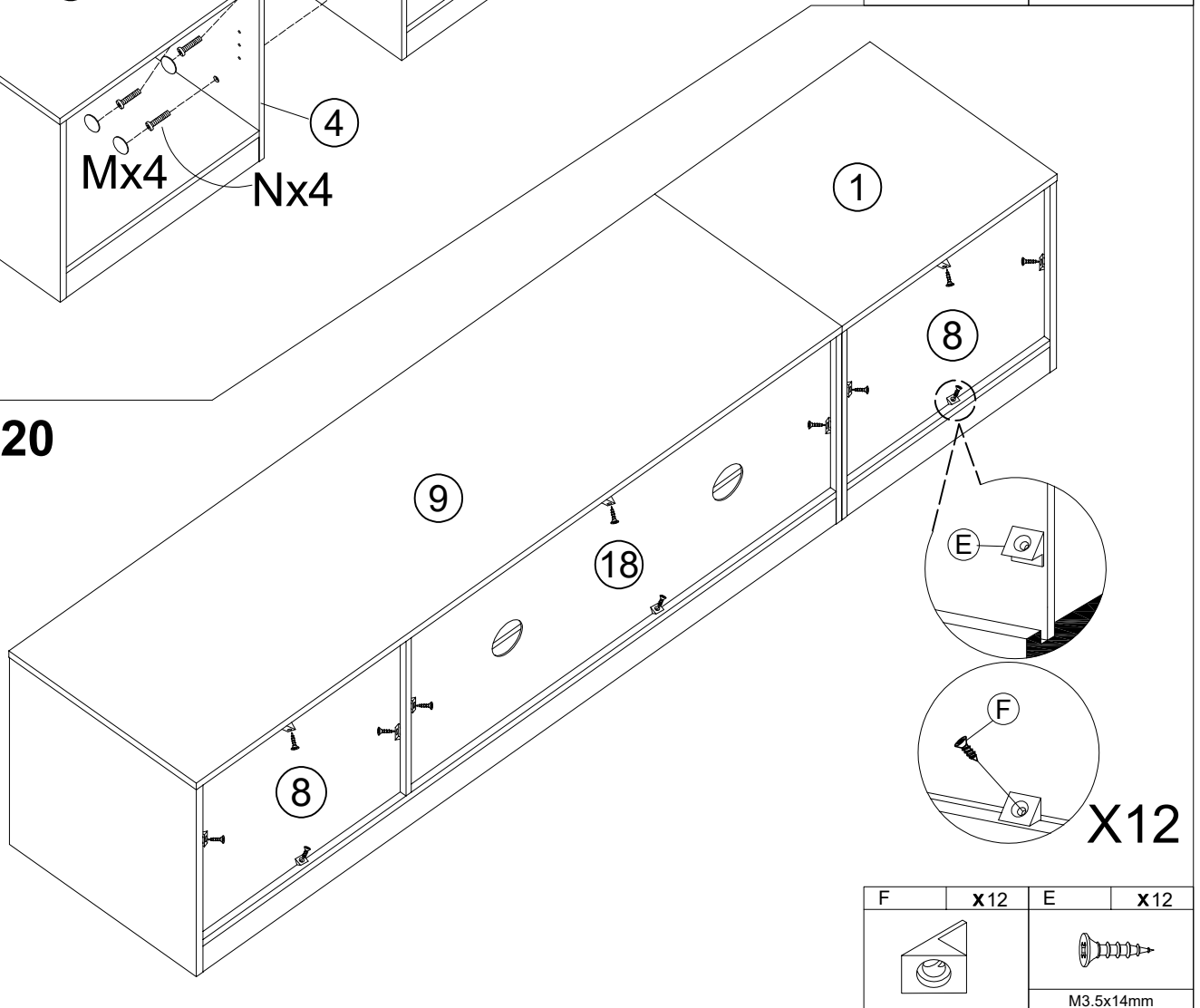
B	x8	C	x8	M	x8
					
Ø15mm		Φ6x30mm		Φ20mm	

# Assembly Instructions

## STEP 19

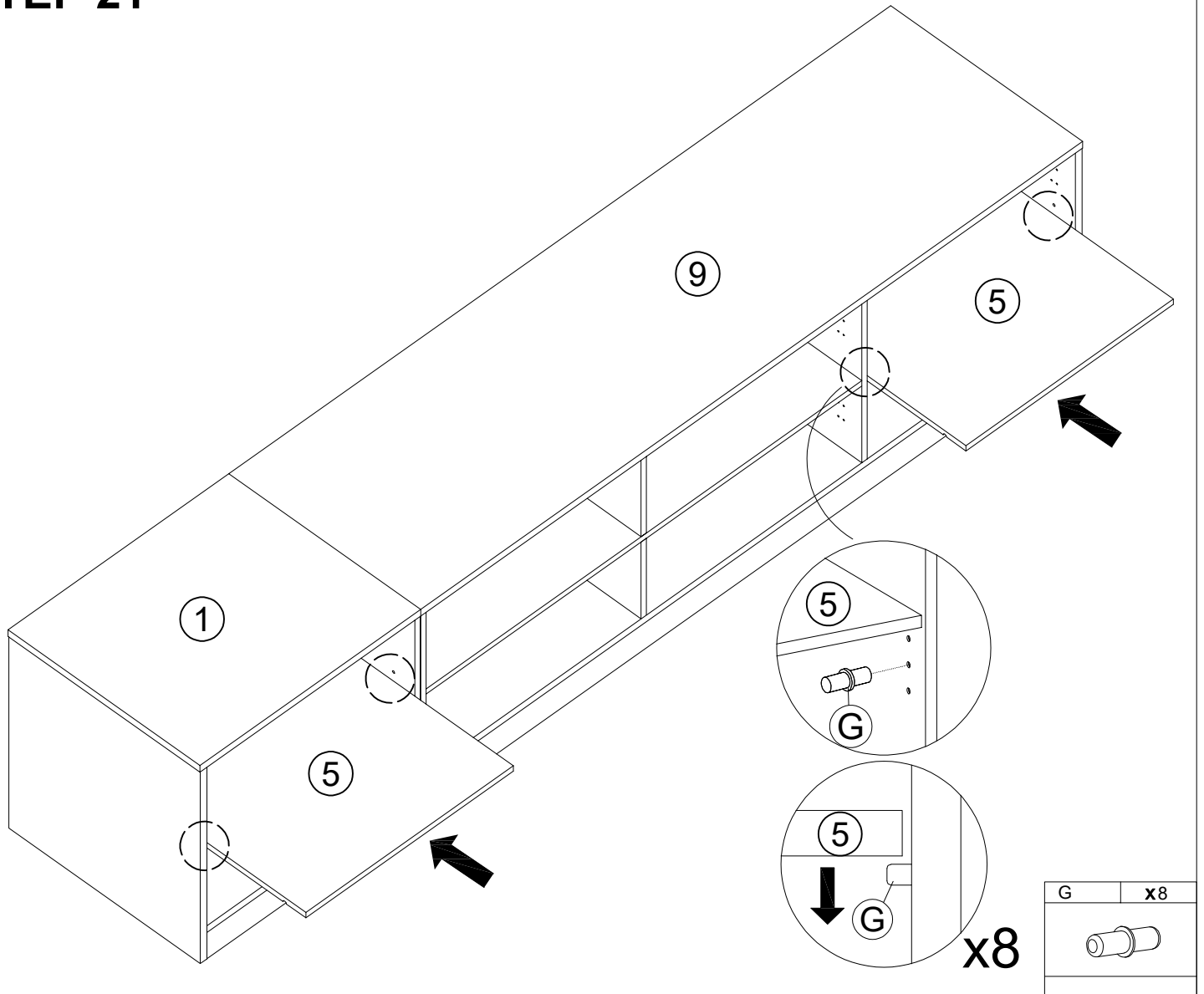


## STEP 20

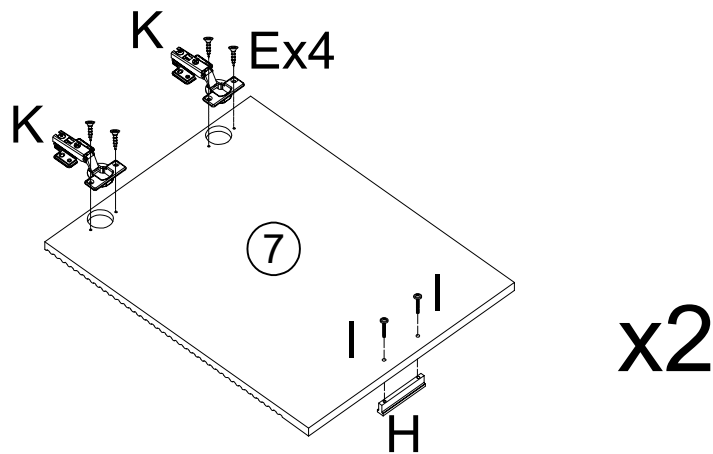


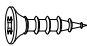
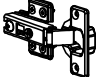
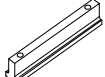

# Assembly Instructions

## STEP 21



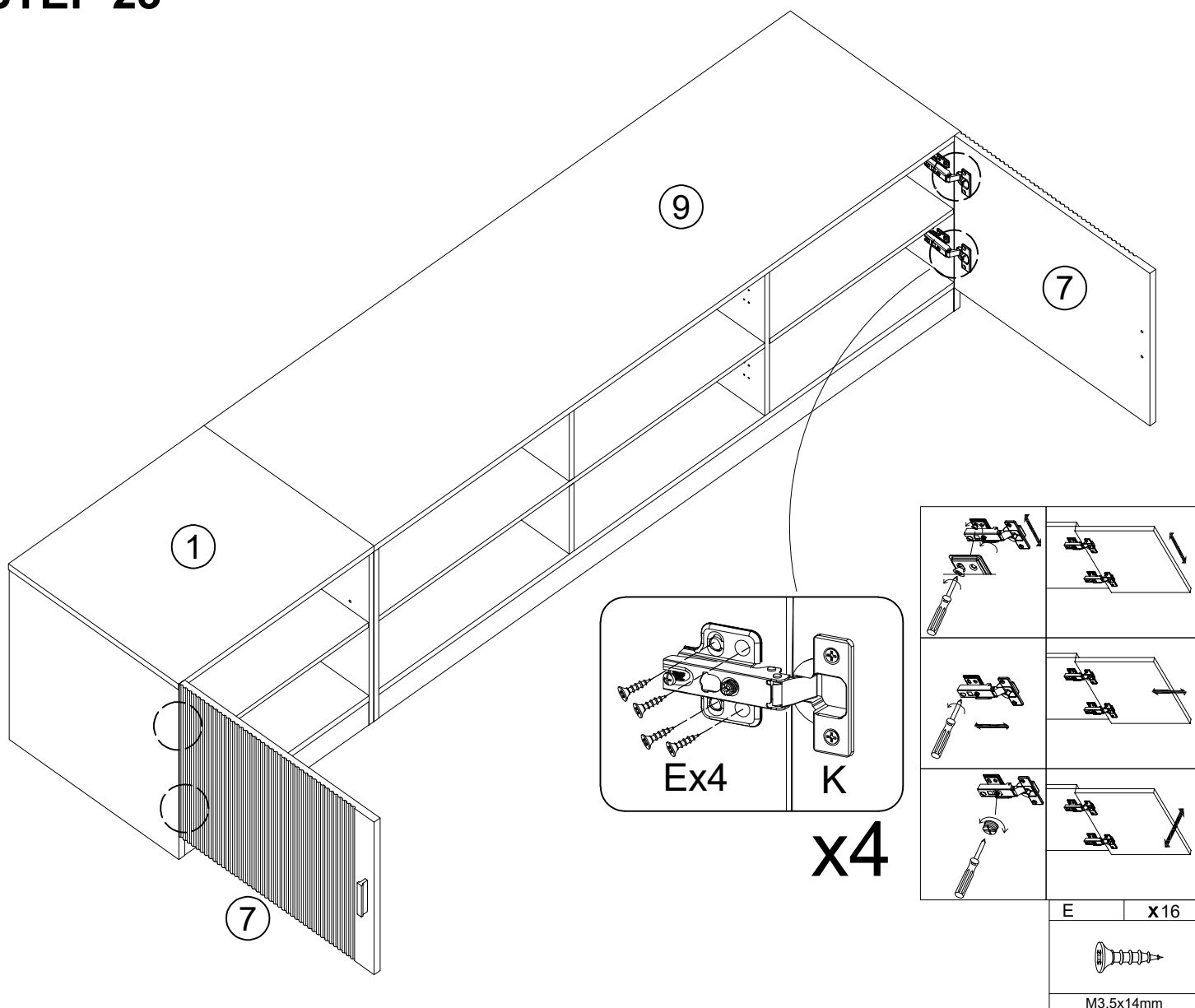
## STEP 22



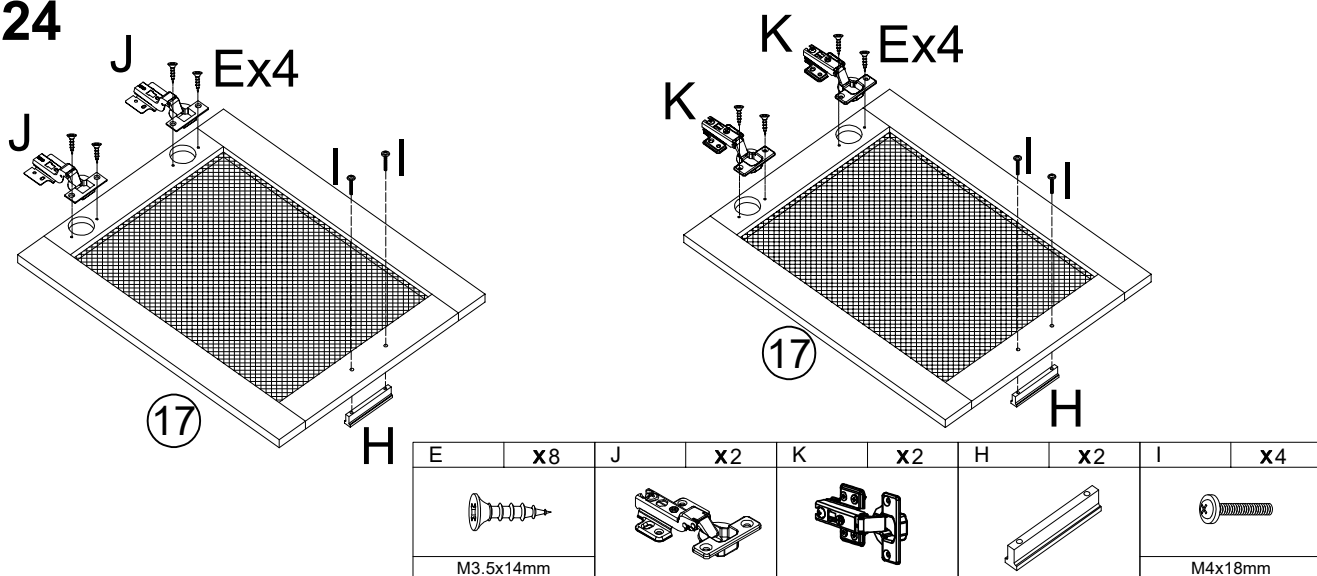
E	x8	K	x4	H	x2	I	x4
							
M3.5x14mm						M4x18mm	

# Assembly Instructions

## STEP 23

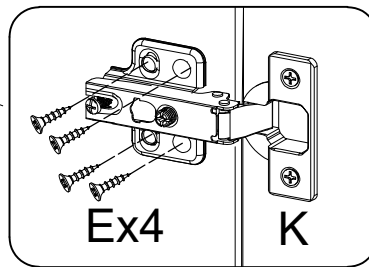
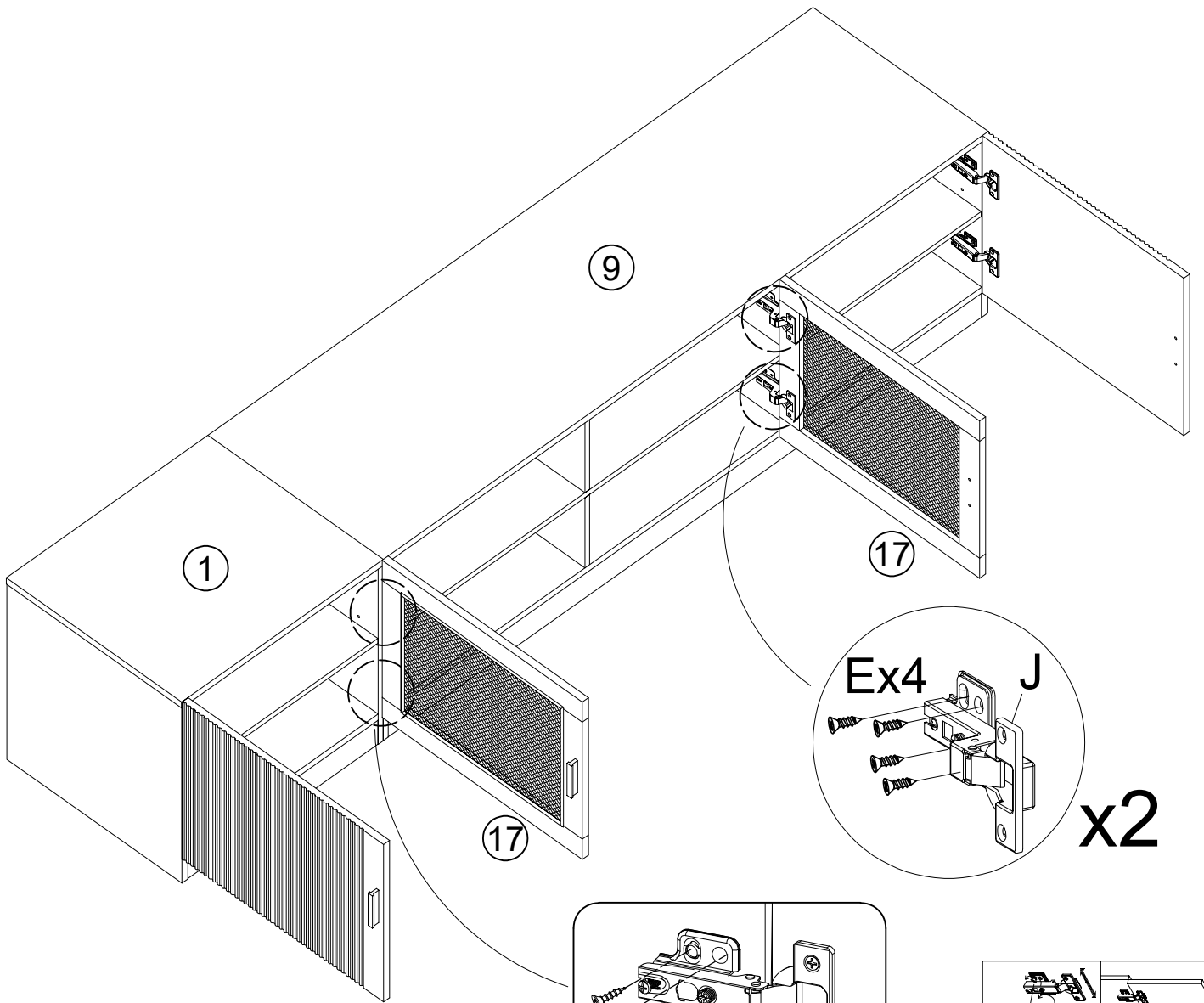


## STEP 24

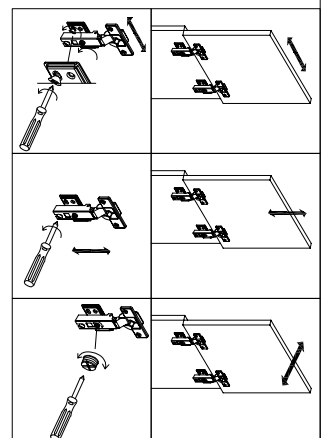


# Assembly Instructions

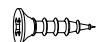
## STEP 25



x2



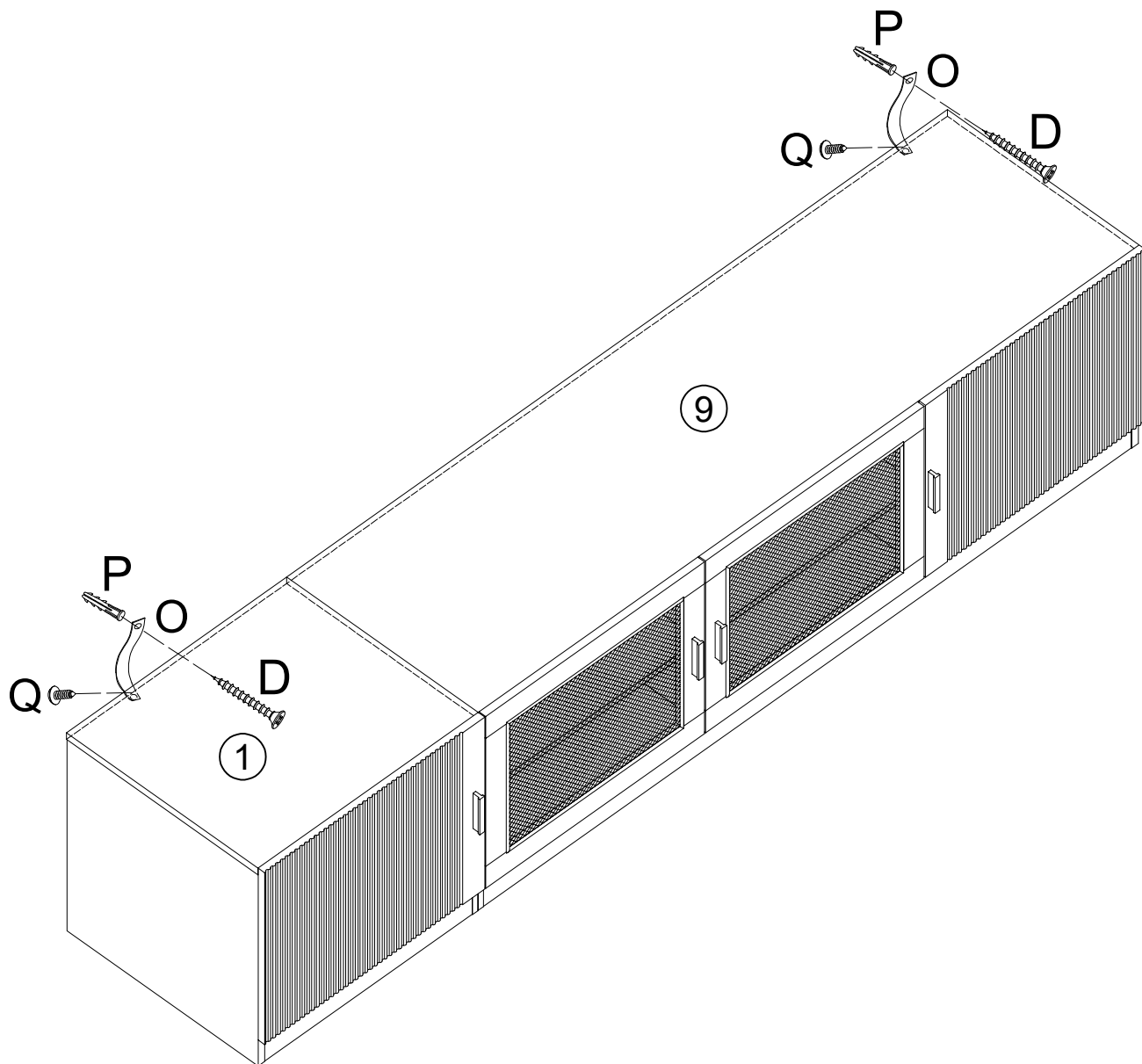
E x16

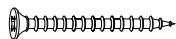

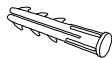
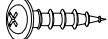


M3.5x14mm

# Assembly Instructions

## STEP 26



D	x2	O	x2	P	x2	Q	x2
							
M4x35mm						M4x14mm	