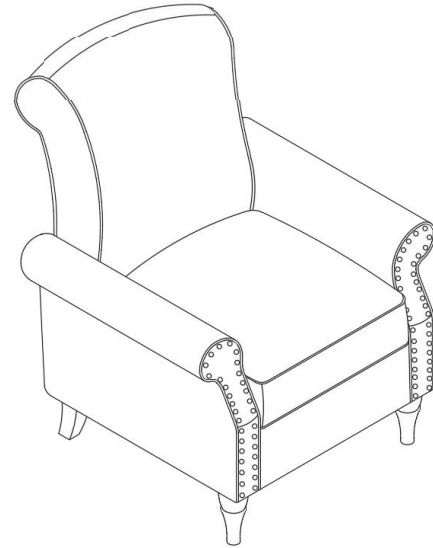


WARRANTY

We strive to offer high-quality product and we also try our best to satisfy each customer that orders from us with product or service as needed.

Each customer a record of their order such as the order number, or item receipt for any items that are out of the warranty period you may also still receive replacement parts by purchasing them with our company if they are available.



NOTE:

This brochure contains IMPORTANT safety info. Please read and keep for future reference.

MAINTAINANCE AND WARNING

- Keep furniture away from heat and fire.
- Keep furniture away from sharp objects.
- Do not clean furniture with harsh cleansers or polish. Do not use detergents, Solvents, abrasives, spray packs or leather cleaner. Use non-color mild soap with warm water clean spills(Mix 1:10 soap to water)
- Do not place furniture under direct sunlight, material will possibly fade over time.
- Do not jump or strike on the furniture.
- Do not write on furniture without a padded barrier to protect the surface.
- Not for commercial use, For residential use only.

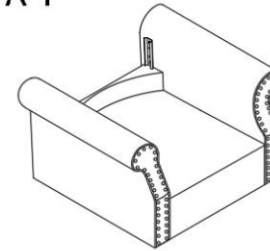


Weight Limitation

400LBS

PARTS LIST

A*1



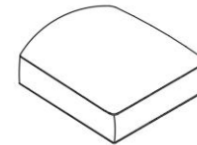
Seat Frame

B*1



Back

C*1



Seat Cushion

D*2



Front Legs

E*2



Back Legs

HARDWARE and TOOL LIST

F*8
M8*18mm



Bolt

G*1
M5



Allen Key

SPARE

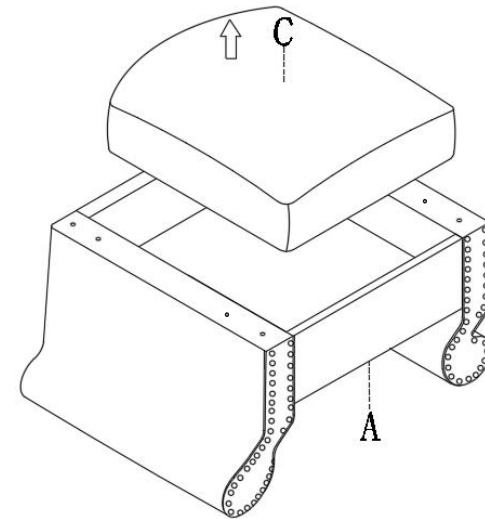
F*1
M8*18mm



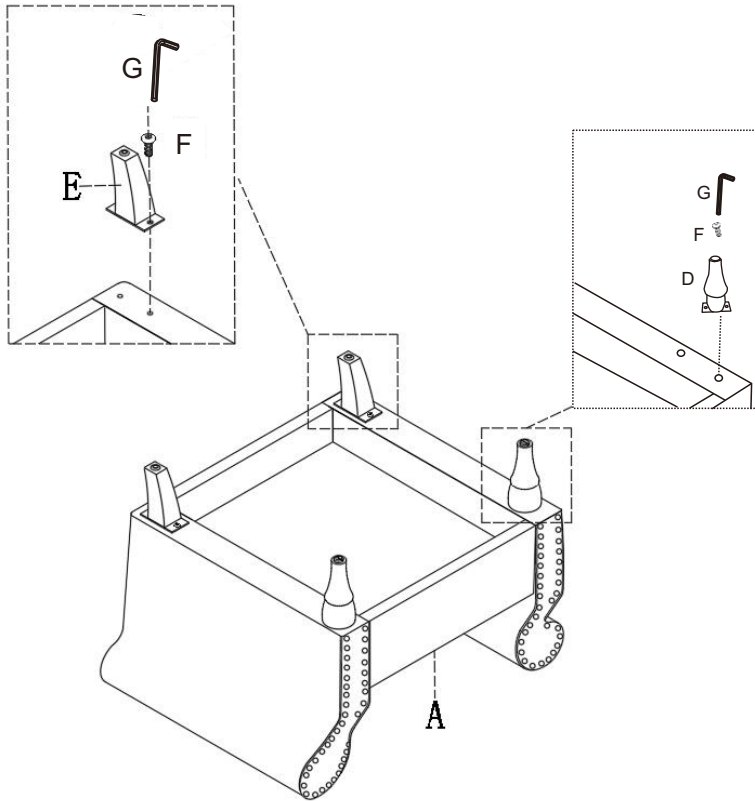
Bolt

Be sure to check all packing material fitting the packing list. Be careful for small parts, which may have come loose inside the carton during shipment.

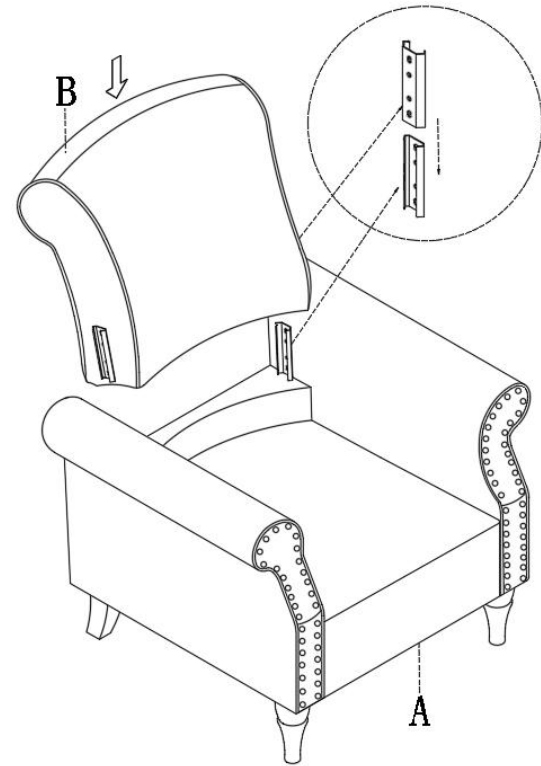
ASSEMBLY INSTRUCTIONS



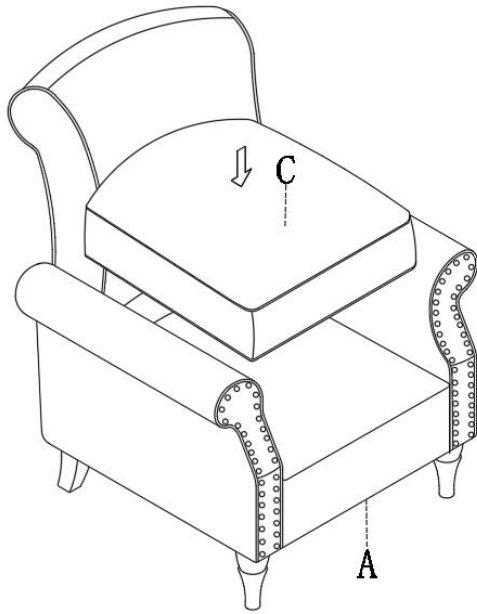
STEP 1: Turn the seat frame A upside down on clean padded surface, carefully take the seat cushion C out from the bottom of seat.



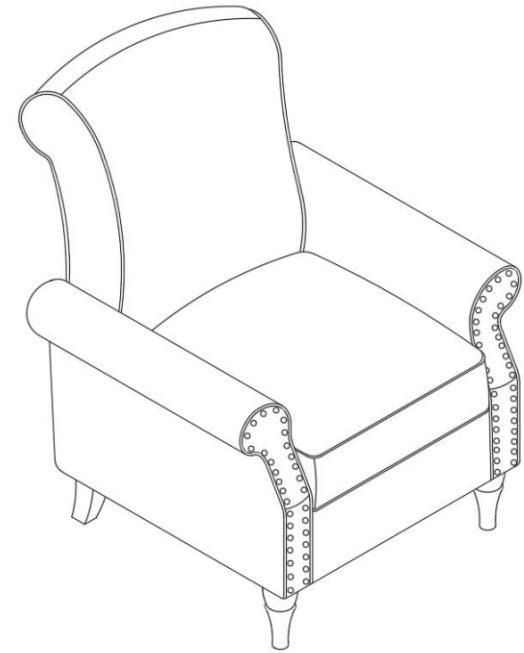
STEP 2: Use bolt F, allen key G to attach the front legs D and back legs E on rear bottom of the armrest, fasten all boltes to secure.



STEP 3: Turn the chair base assembly upright, carefully align male and female metal brackets on both sides then push the back B all the way down to secure



STEP 4:Place the chair seat cushion C on top of the seat frame and make sure gaps around seat cushion are evenly spaced.



STEP 5:Assembly completed.