

Assembly Instructions

Caution: You must read this before you proceed

Care & Maintenance



- Not for commercial use. For residential use only.



- Furniture may scratch floors. We recommend using furniture pads to protect your floors.



- Do not put hot items directly on furniture surface.



- Do not clean furniture with harsh cleansers or polish.



- Do not place furniture under direct sunlight.



- Do not place furniture near heating or cooling vents.



- Do not write on furniture without a padded barrier to protect the surface.



- Do not place furniture outside . For indoor use only.



- Stains may be removed with mild soap solution and damp cloth.



- Children should not climb or jump on the furniture.



- Dust and pick-up spills using a clean, non-colored, lint-free cloth.

QUEEN BED



WARNING !

STRANGGULATION HAZARD

NEVER place bed near windows where cords from blinds or drapes may strangle achild.

NEVER suspend strings over bed.

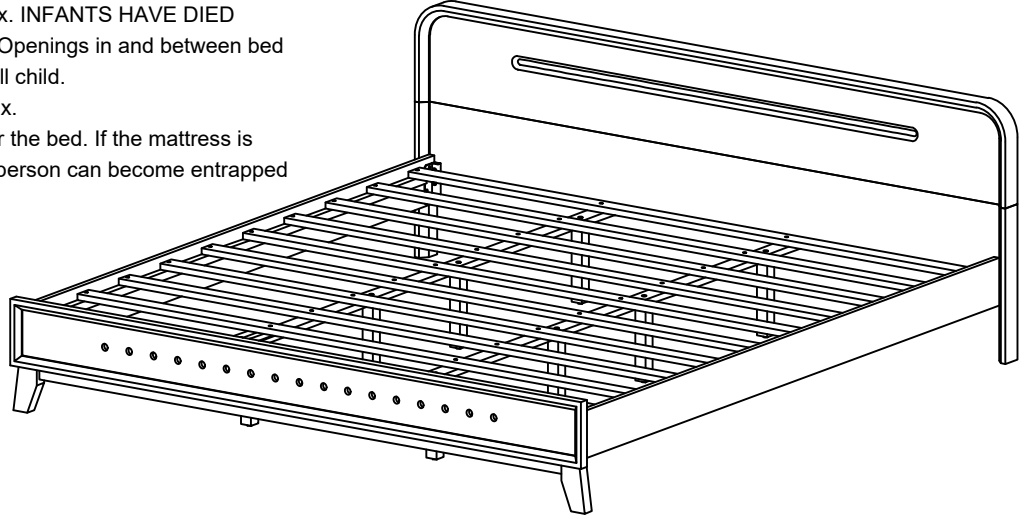
NEVER place items with astring, cord, or ribbon, such as hood strings or pacifercords, around a child's neck. These items may catch on bed parts.

ALWAYS follow assembly instructions.

Not intended for children under the age of six. INFANTS HAVE DIED FROMBECOMING ENTRAPPED IN BEDs. Openings in and between bed parts can entrapthe neck and head of a small child.

NEVER use bed for child under the age of six.

The mattress must be appropriately sized for the bed. If the mattress is undersizeddangerous gaps can exits and a person can become entrapped or entangled in the frame and suffocate



CAUTION: This Queen Bed is NOT a TOY.

Keep your child / children at bay in the process of assembly.

For turning the Queen Bed and to prevent damage to the Queen Bed.

02 persons may be needed to execute this action.

PART LIST BOX 1/2

C		Left Leg Headboard	01
D		Right Leg Headboard	01
E		Left Side Rail	01
F		Right Side Rail	01
G		Foot Board	01
H		Left Leg Footboard	01
I		Right Leg Footboard	01
J		Support Bar	02
K		Midle Leg Support	08

PART LIST BOX 2/2

A		Top Head Board	01
B		Bottom Head Board	01
L		Slats	10

Hardware			
Lable	Picture	Description	Q.ty
①		Bolt (M6 x 45mm)	13
②		Bolt (M6 x 30mm)	10
③		Bolt (M6 x 10mm)	09
④		Wooden dowel Ø10 x 40 mm	03
⑤		Wooden dowel Ø10 x 30 mm	09
⑥		Vis Ø 4 x 30mm	42
⑦		Vis Ø 4 x 15mm	09
⑧		Metal Pad	02
⑨		Allen Wrench	01

Assembly Preparation

Before Beginning Assembly

*13
 *10
 *09
 *03

*09
 *42
 *09
 *02

*01

- Read instruction, cover to cover.
- Have 2 adults on hand for assembly.
- Do not assemble on flooring or carpet.
- Assemble on a clean non-marring surface (packing foam).
- Save all packaging until finished.

Assembly Steps

Overview

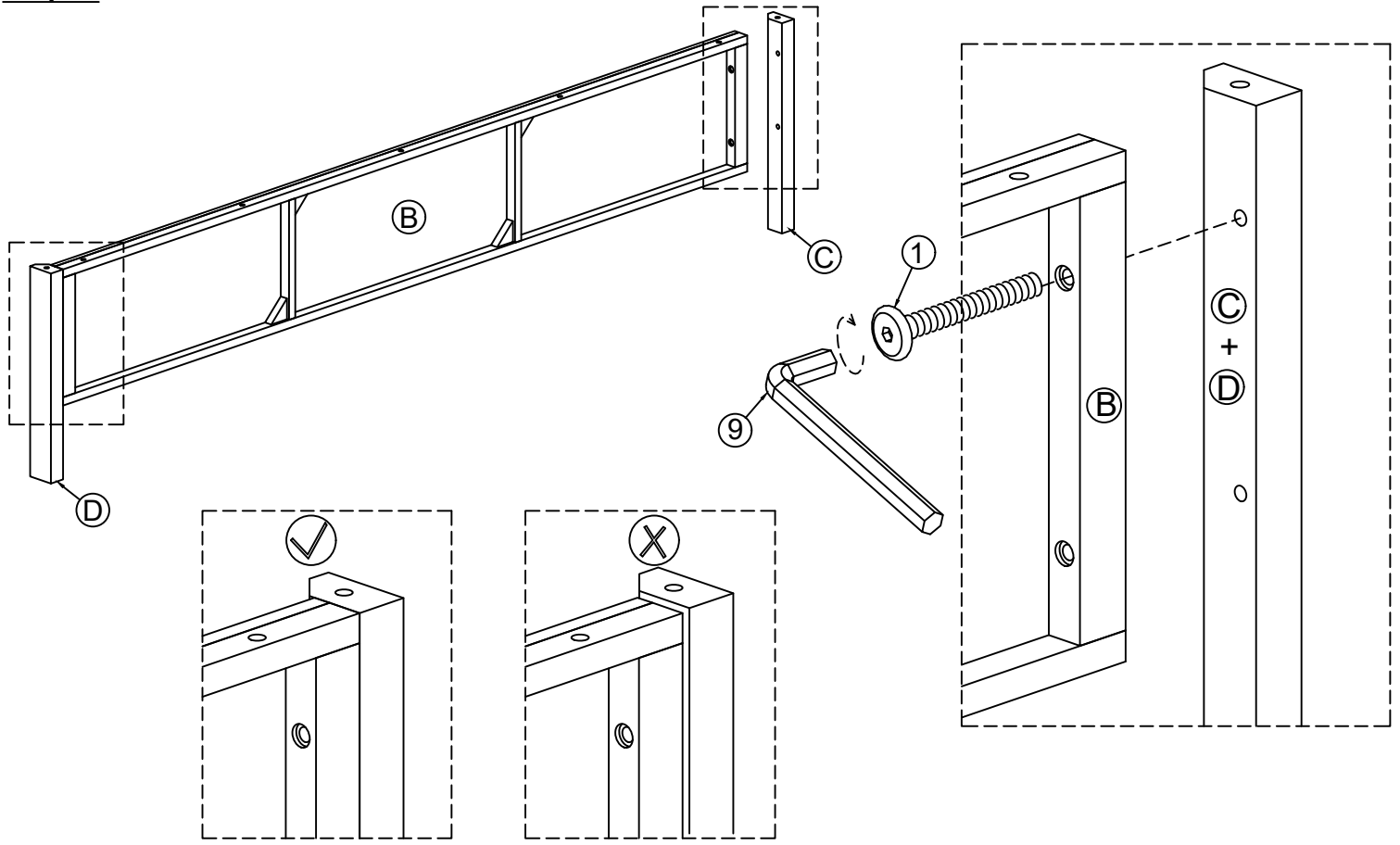
FRONT FACING

This Queen Bed has multiple parts and may require up to 1 hour to assemble. To give you an overview of the King Bed parts, the above picture is to help you put the various parts into perspective. Please read through the instructions herebelow to famiarsre the parts and steps before assembly.

Step 1:

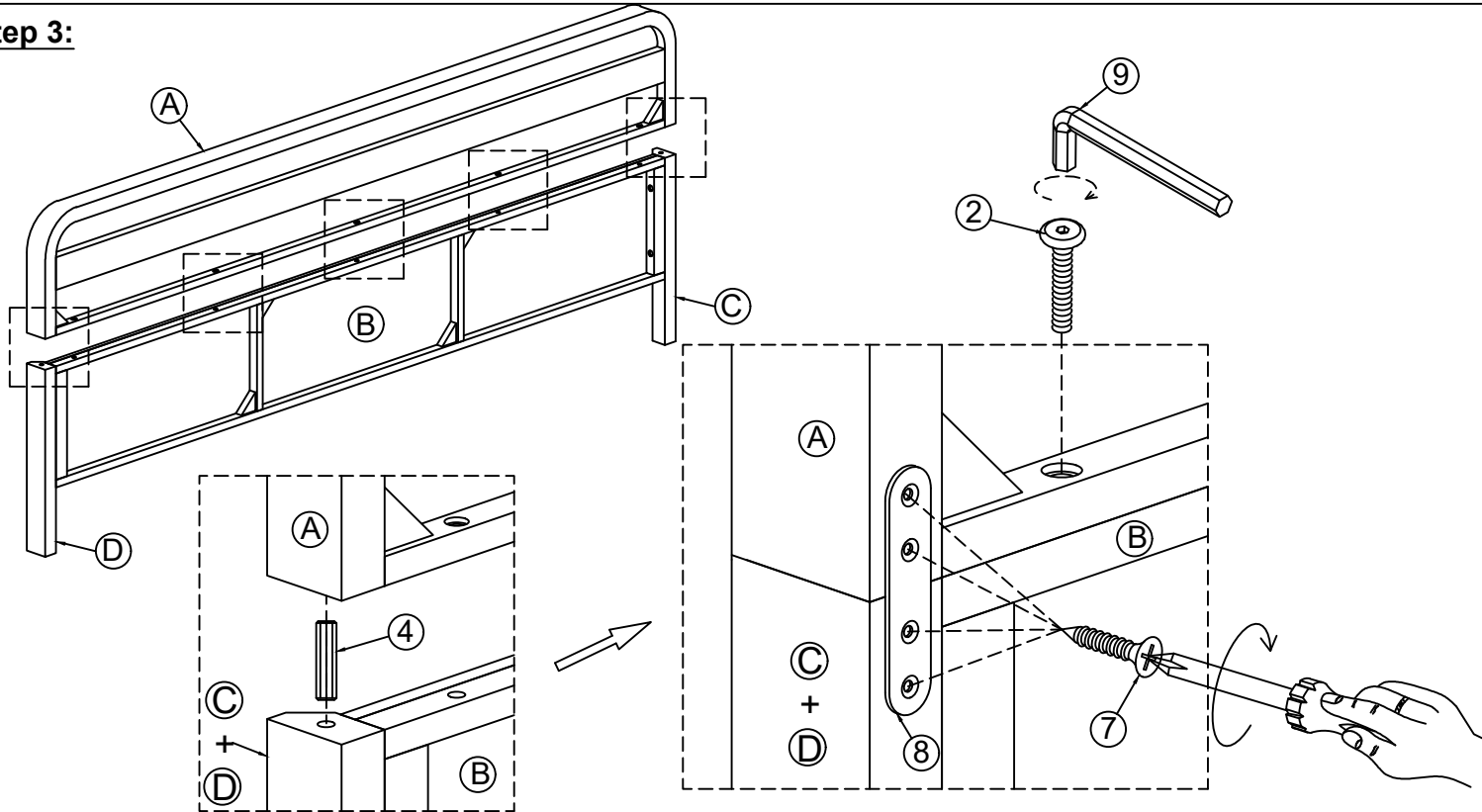
Unpack and place all part on a clean, non-marring surface.

Step 2:



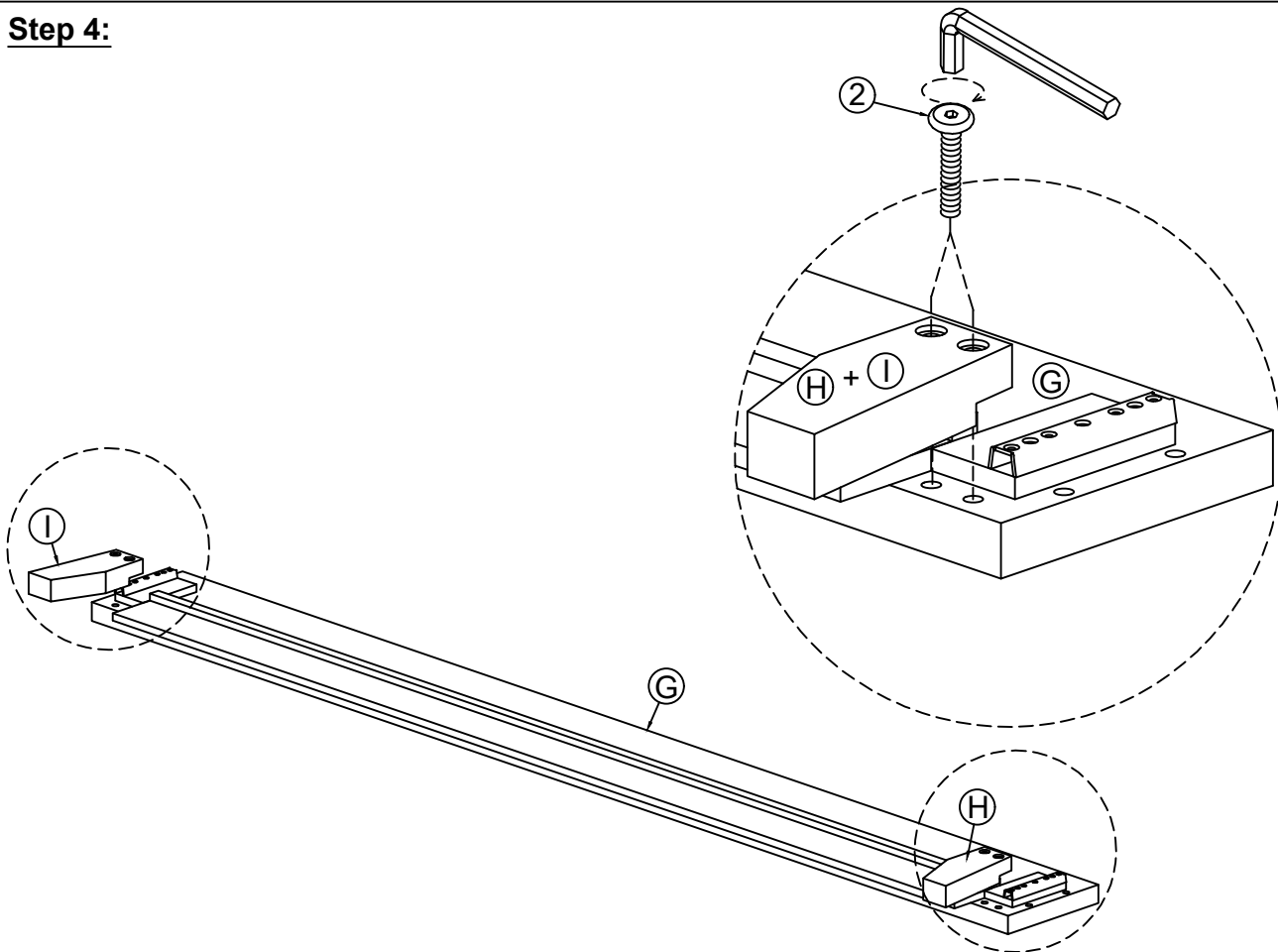
- Attach Bottom Headboard (B) to the Left Leg Headboard (C), Right Leg Headboard (D) using ① Bolt *4 with Allen Wrench ⑨ as shown.

Step 3:



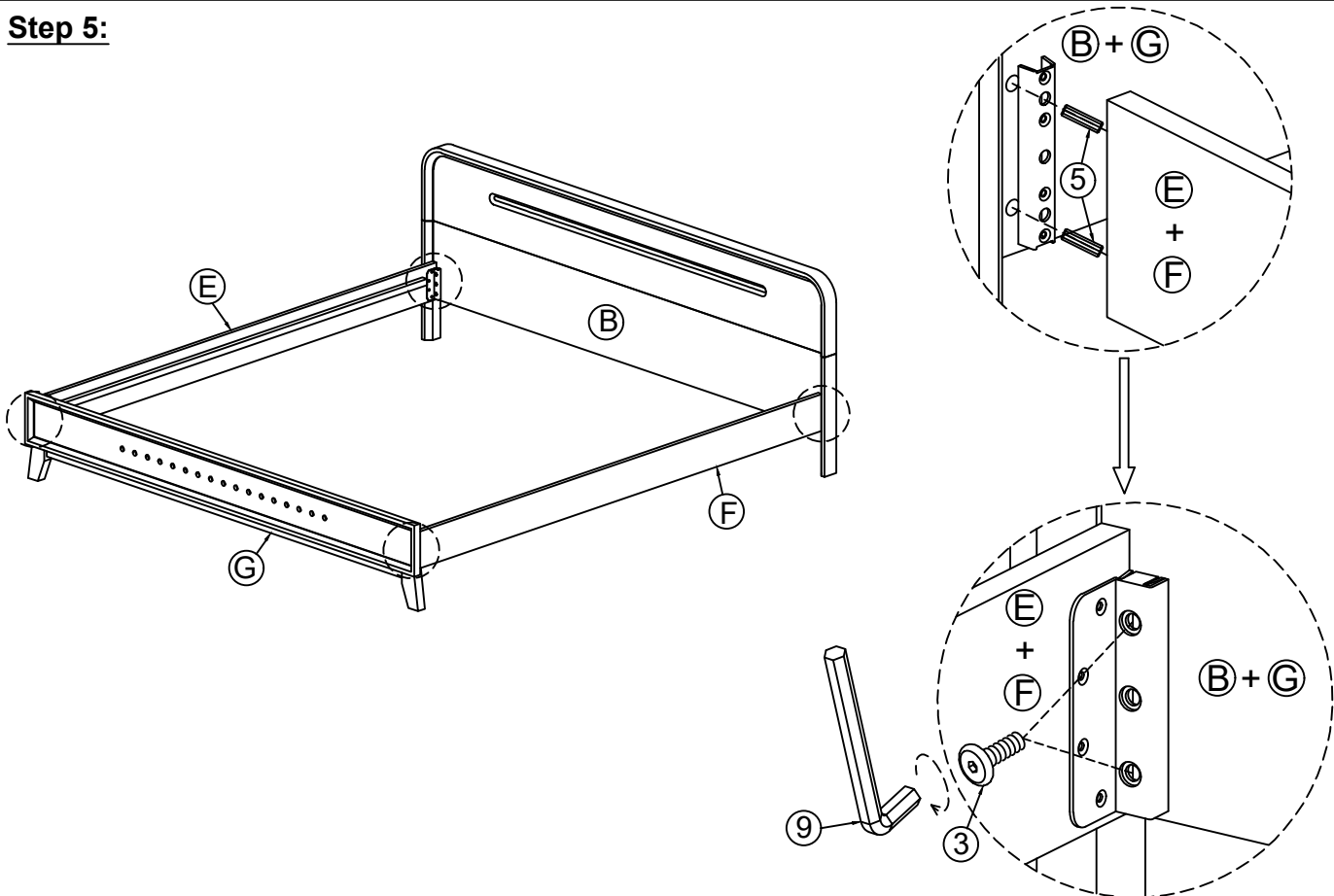
- Attach Top Headboard (A) to the Bottom Headboard (B) using ② Bolt *5 with Allen Wrench ⑨ as shown.
- Attach Top Headboard (A) to the Left Leg Headboard (C) and Right Leg Headboard (D) using ④ Wooden dowel *2, ⑧ Metal Pad *2 and ⑦ Screw *8 with Screwdriver as shown.

Step 4:



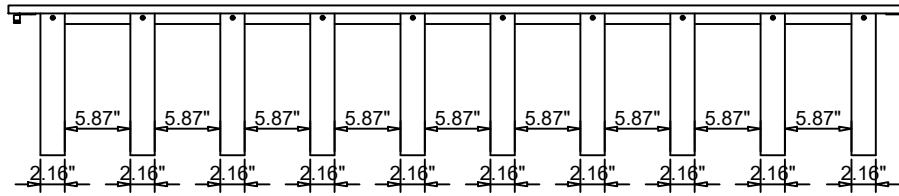
- Attach Left Leg Footboard (H) and Right Leg Footboard to the Footboard (G) using ② Bolt *4 with Allen Wrench ⑨ as shown.

Step 5:

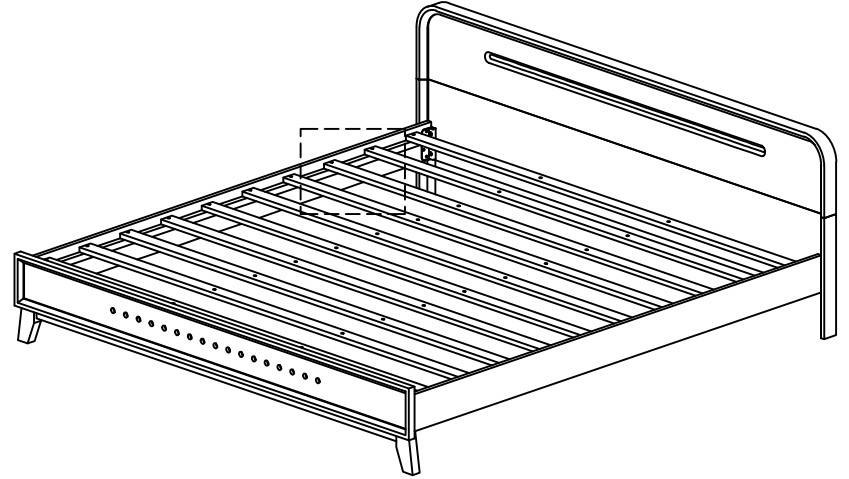
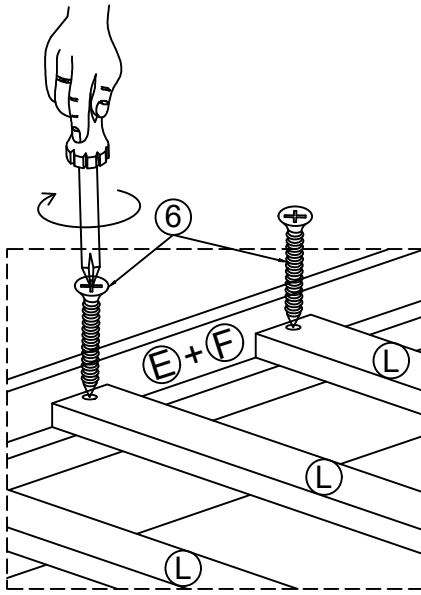


- Attach Left Side Rail (E), Right Side Rail (F) to the Bottom Headboard (B) and Footboard (G) using ⑤ Wooden dowel *8, ③ Bolt *8 with Allen Wrench ⑨ as shown.

Step 6:

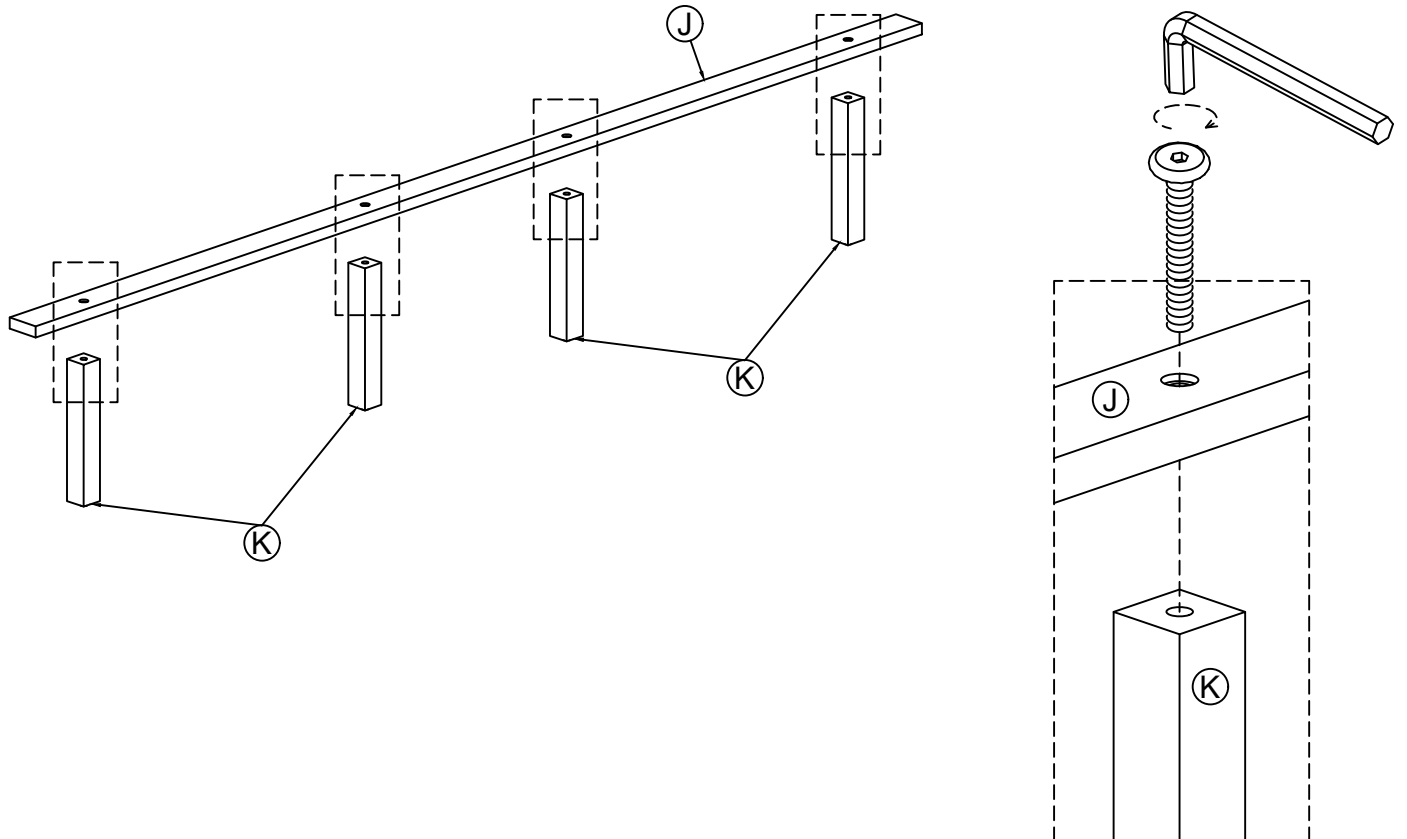


Slats distance



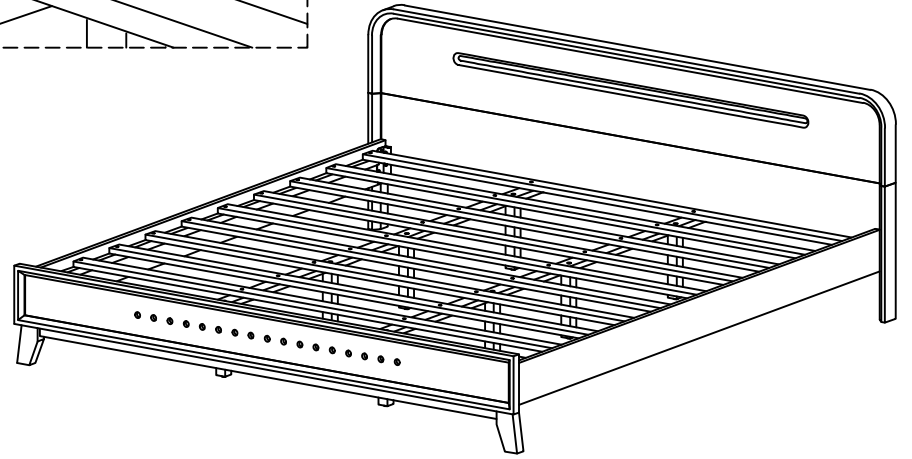
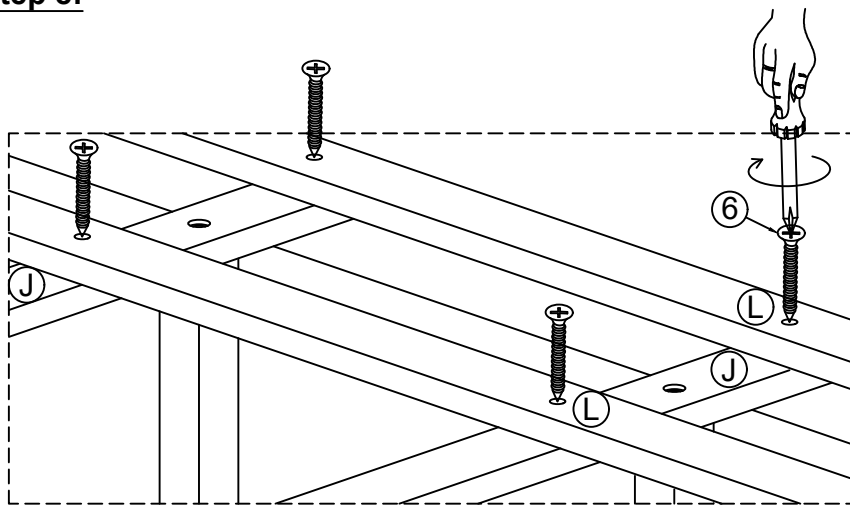
- Attach Slats (L)*10 to the (E) Left Side Rail and (F) Right Side Rail using 6 Screw *20 with Screwdriver as shown.

Step 7:

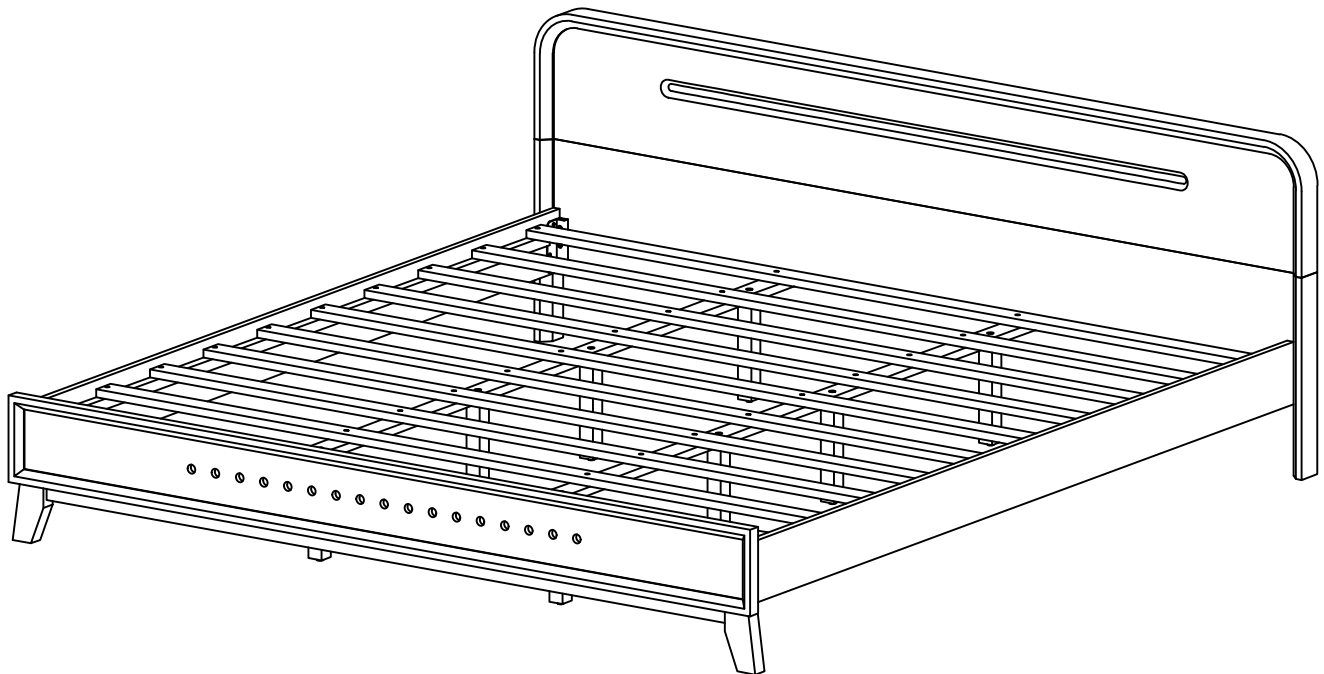


- Attach (K) Legs Support *8 to the (J) Support Bar *2, using 1 Bolt *8 with Allen Wrench 9 as shown.

Step 8:



- Attach (L) Slats*10 to the (J) Support Bar *2 using 6 Screw *20 with Screwdriver as shown.



Inspect the Bed and make sure all parts are adequately connected.

Adjust the Levelers to desired height to avoid wobbles.

Your bed is ready for use.

CARE INSTRUCTIONS:

Hardware may loosen overtime. Periodically check that all connections are tight.

Wipe with a soft, dry cloth. To protect finish, avoid the use of chemicals and household cleaners.