

NOTICE

- * Please make sure that you have all parts indicated and they are in good condition before you begin assembly of this item. Refer to part list and hardware list below for guidance.
- * This item should be assembled on a soft surface to prevent scratching the finish during assembly.
- * This item may require periodic tightening.
- * If you are having difficulty, our friendly Customer Care team is always here to help.

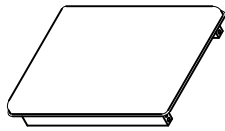
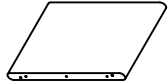
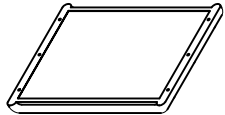

PREPARATION

- * Before beginning assembly of product, make sure all parts are present. Compare parts with part contents list and hardware contents list.
- * If any part is missing or damaged, do not attempt to assemble the product.
- * Estimated Assembly Time: 30 minutes.
- * Tools Required for Assembly (included): Allen Key

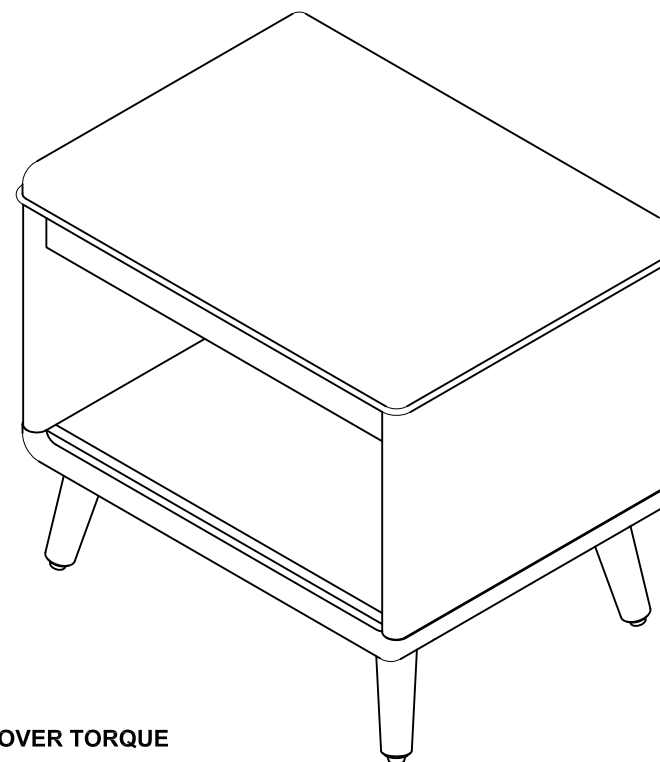
CARE AND MAINTENANCE

Adhesive felt pads should always be applied to areas of furniture which make direct contact with flooring, said application will prevent damage to the furniture and or surfaces on which the furniture lies. Objects placed on articles of furniture should rest on non abrasive material as to prevent damage to the wood finish. Wipe up spills immediately and avoid common hazards such as hot dishes, harsh solvents and abrasives. Cleaning should be done with a soft lint free cotton cloth dampened with water or furniture polish.

Part List and Hardware List

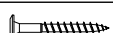

PIECE	DESCRIPTION	PICTURE	QUANTITY
A	CUSHION		1X
B	SIDE PANEL		2X
C	BASE PANEL		1X
D	LEG		4X

Product Dimensions: 20"W x 15"D x 18"H



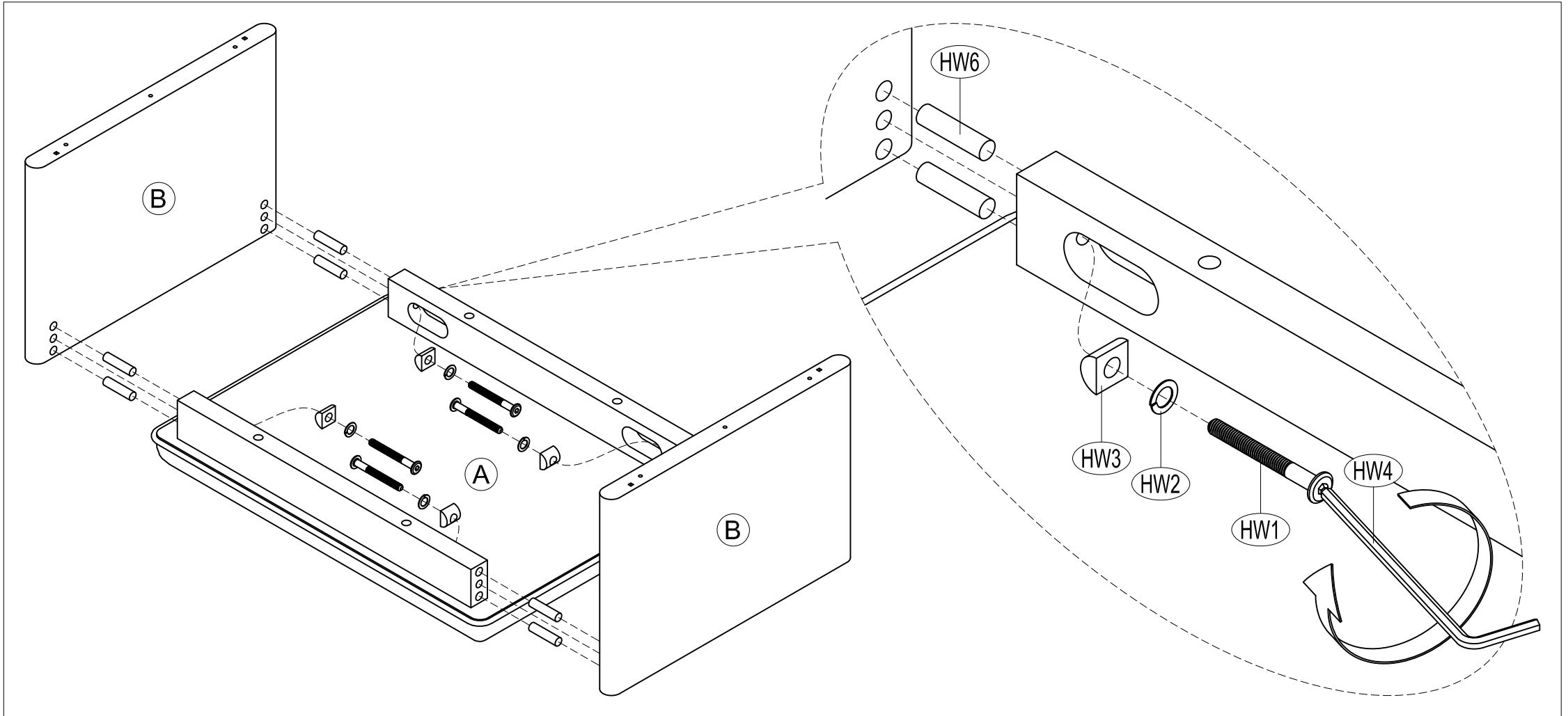
WEIGHT CAPACITY:
SEAT: 200 LBS
SHELF: 30 LBS

**WARNING: DO NOT OVER TORQUE
BOLTS/SCREWS**

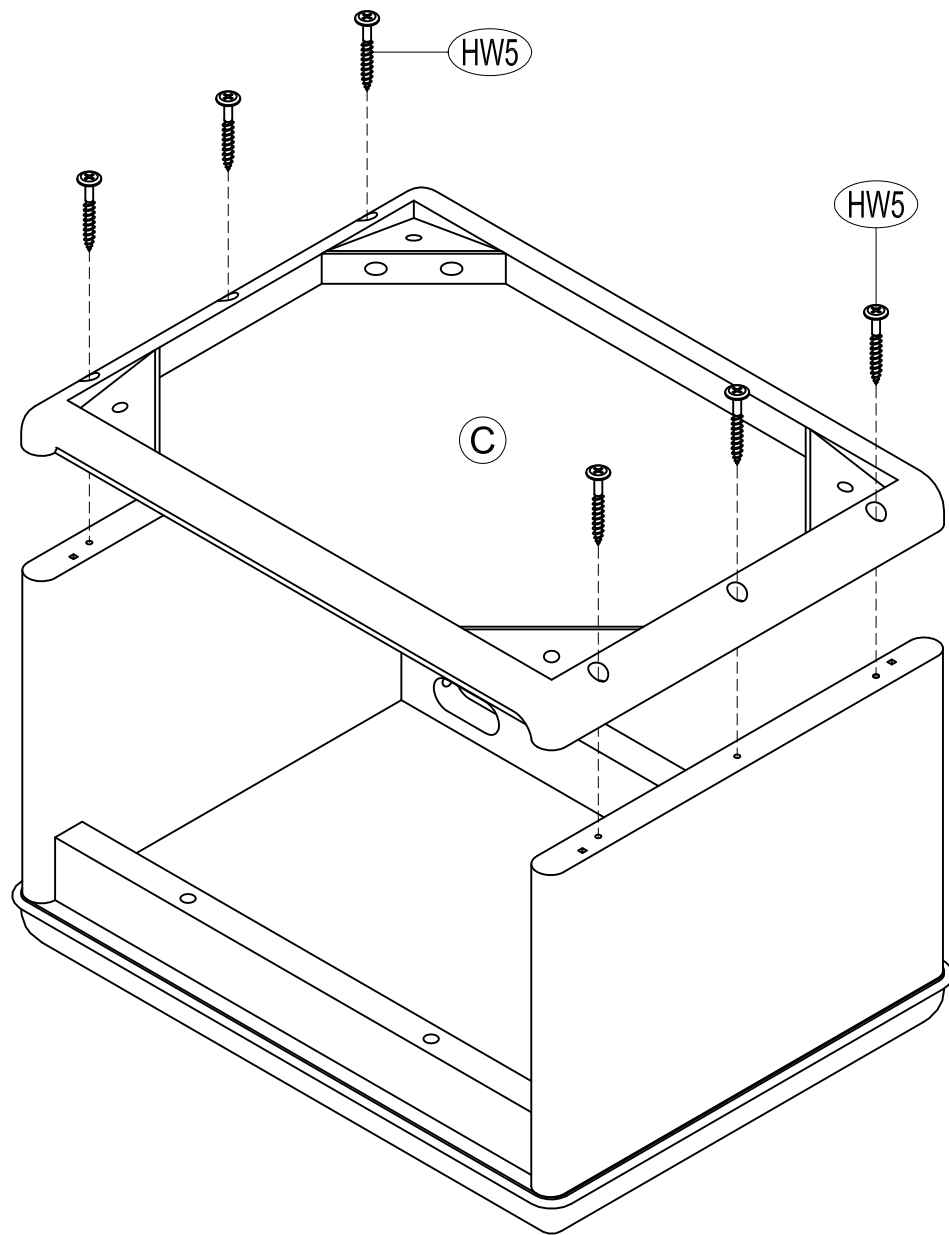
PIECE	DESCRIPTION	PICTURE	QUANTITY
HW1	55 MM BOLT	M6x55mm 	4X
HW2	SPRING WASHER		4X
HW3	SPACER		4X
HW4	ALLEN KEY		1X
HW5	1 3/4" HEAD CAP SCREW	M5x44mm 	6X
HW6	DOWEL		8X

PREPARATION

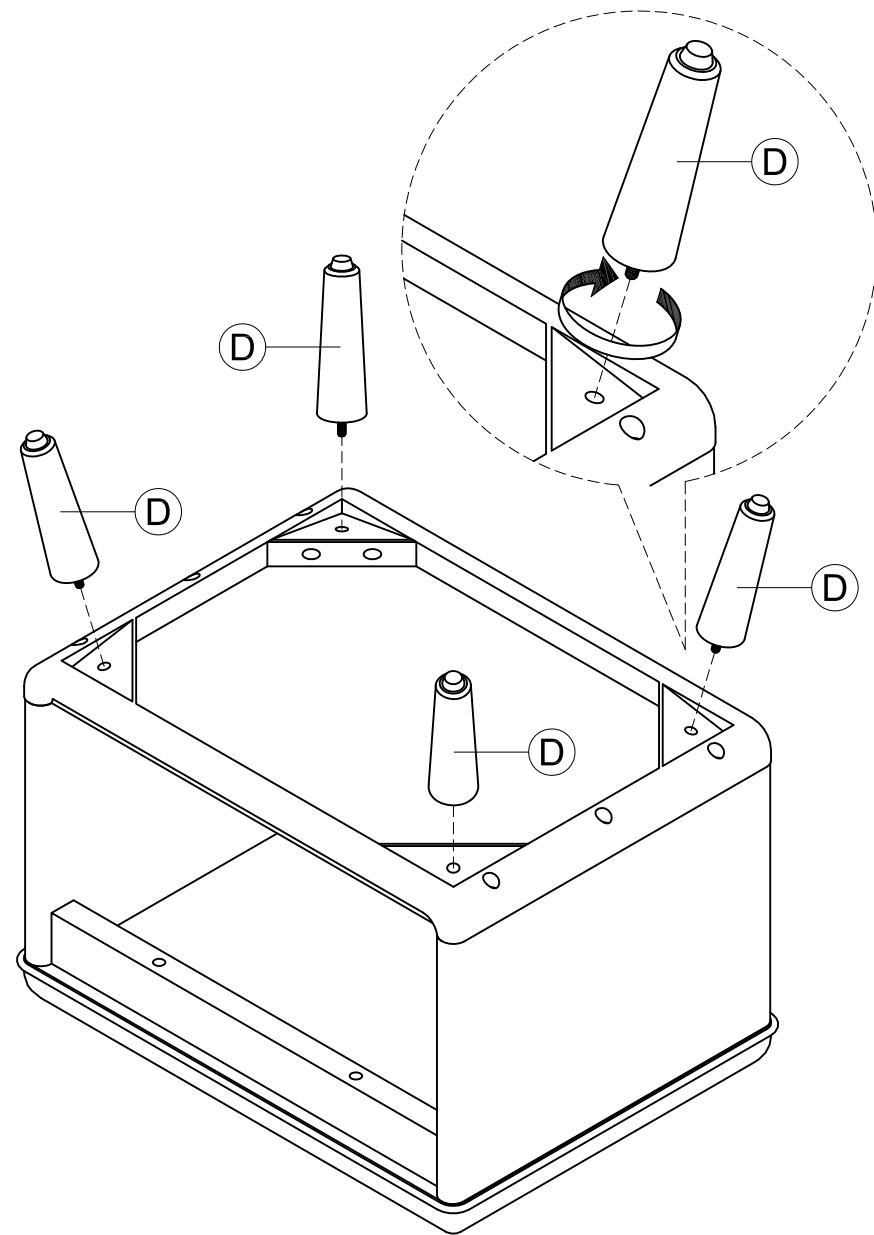
- * Before beginning assembly of product, make sure all parts are present. Compare parts with package contents list and hardware contents list.
- * If any part is missing or damaged, do not attempt to assemble the product.
- * Estimated Assembly Time: 30 minutes.
- * Tools Required for Assembly (included): Allen Key
- * If you are having difficulty, our friendly Customer Care team is always here to help.



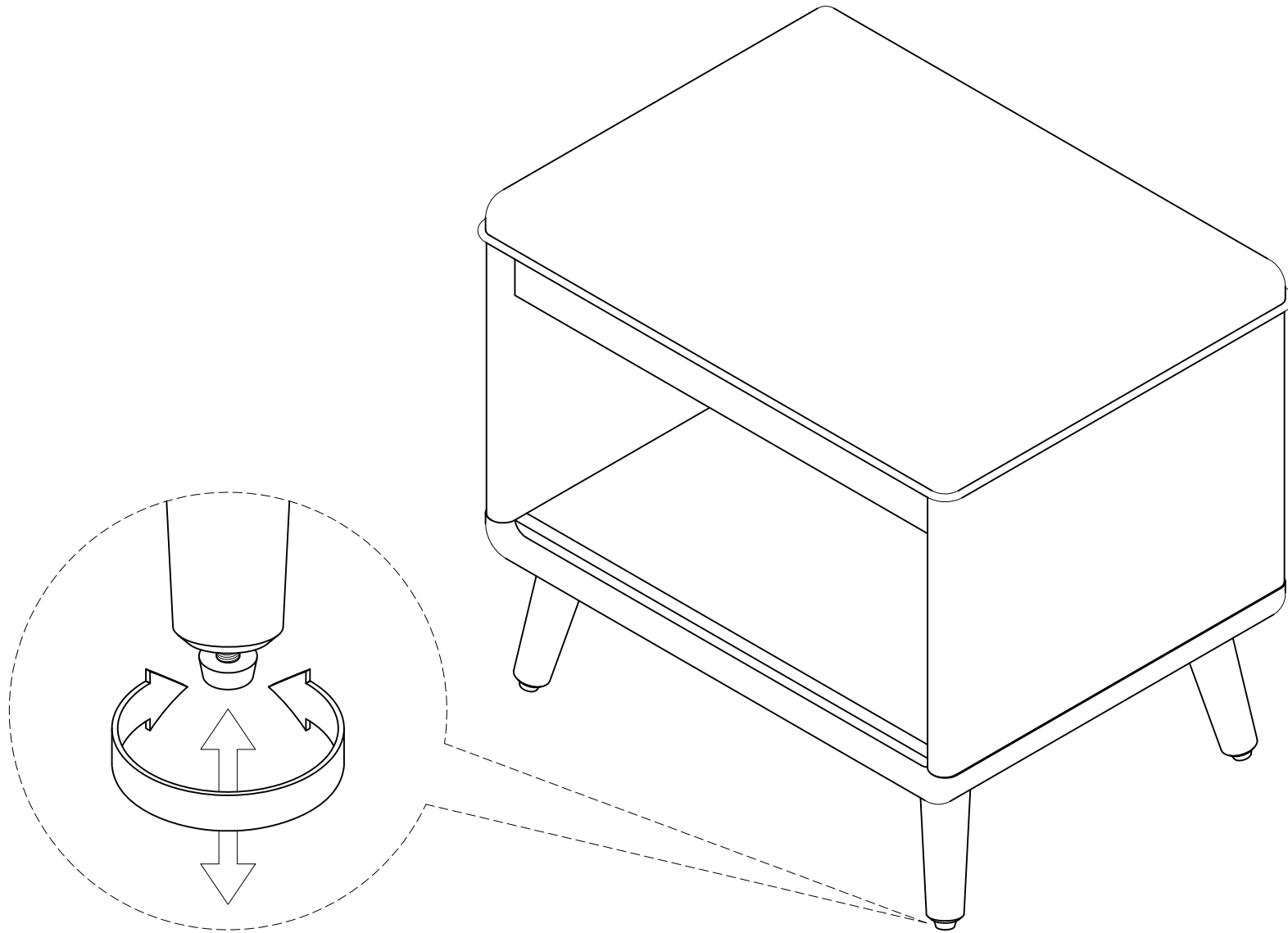
STEP 1 ATTACH CUSHION (A) TO SIDE PANELS (B) USING 55 MM BOLTS (HW1), SPRING WASHERS (HW2), SPACERS (HW3) AND DOWELS (HW6). TIGHTEN BOLTS USING ALLEN KEY (HW4).



STEP 2 ATTACH BASE PANEL (C) TO UNIT USING 1 3/4" HEAD CAP SCREWS (HW5).



STEP 3 ATTACH LEGS (D) TO UNIT, THEN TIGHTEN.



STEP 4 ADJUST THE ADJUSTER BOLT THAT HAS ALREADY ASSEMBLED TO THE LEGS TO STABILIZE YOUR UNIT