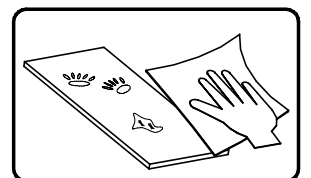
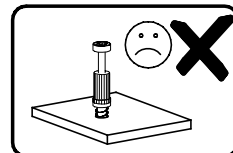
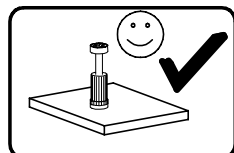
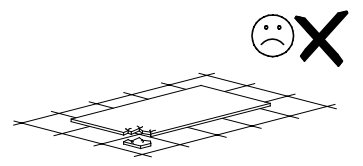
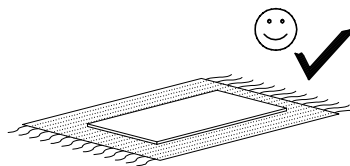
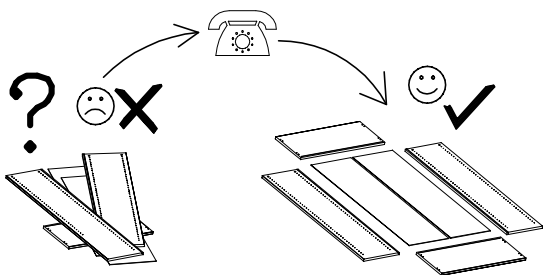
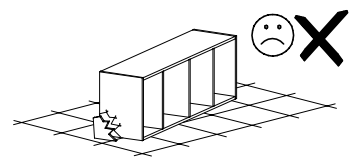
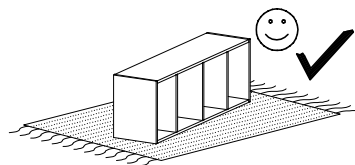
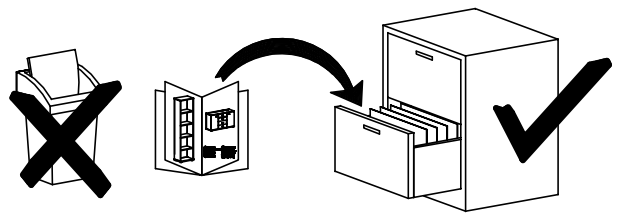
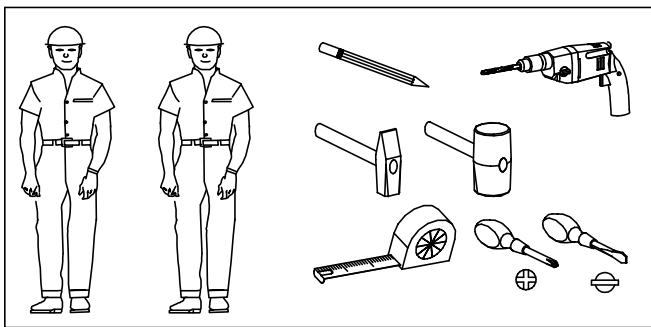
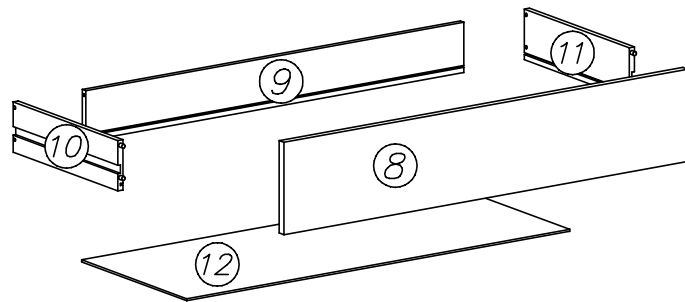
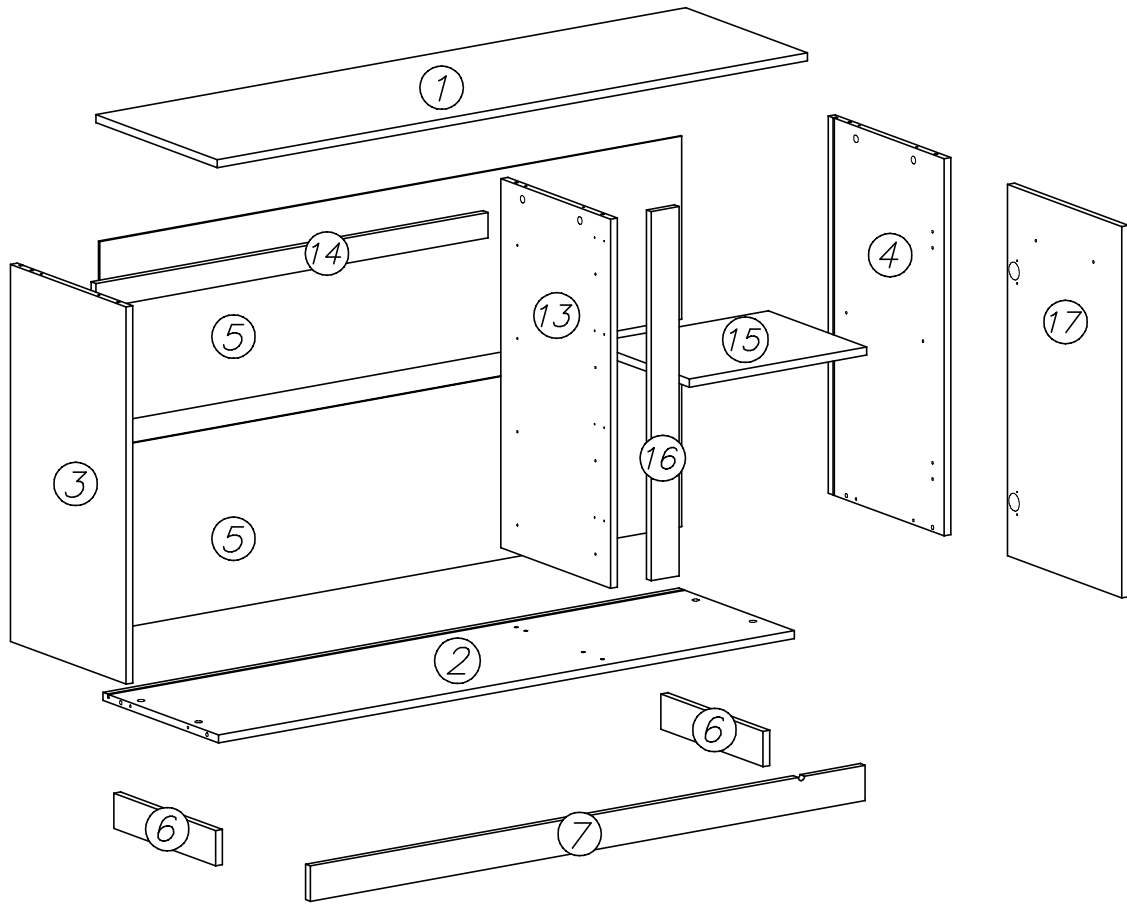
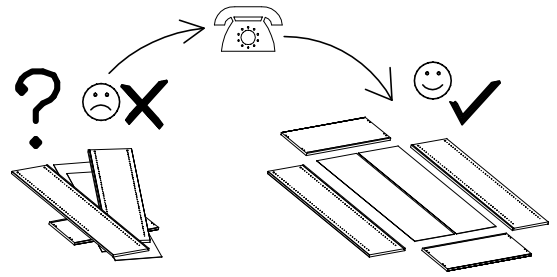
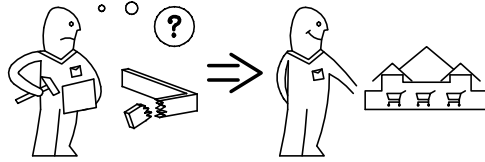
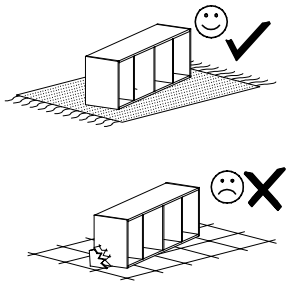
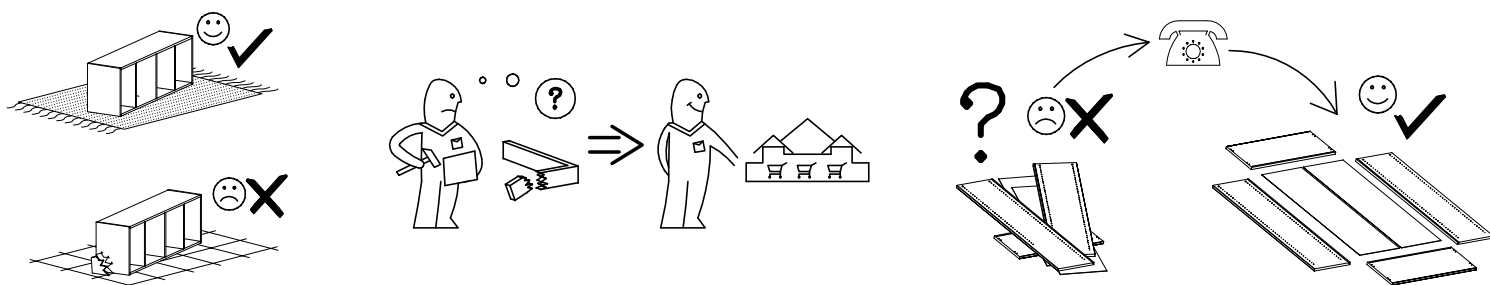


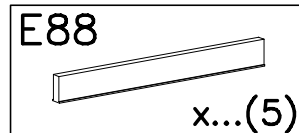
PUSH



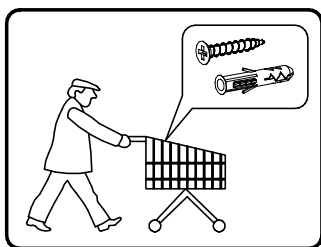
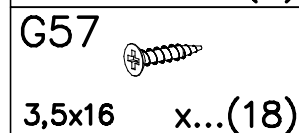
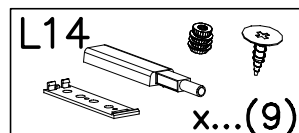
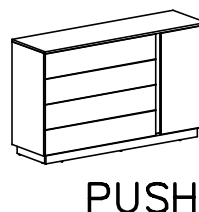




OPCJA A

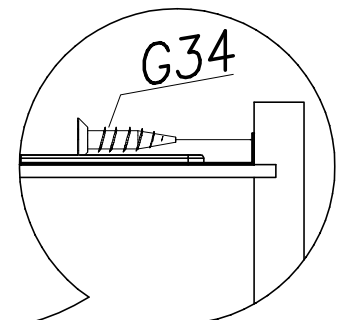
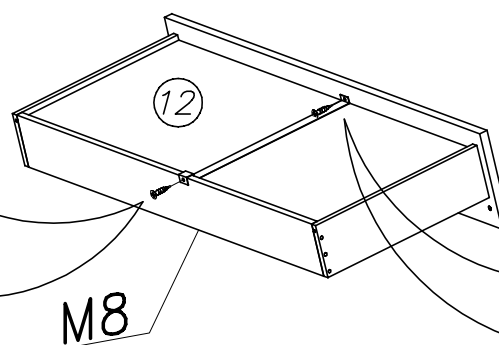
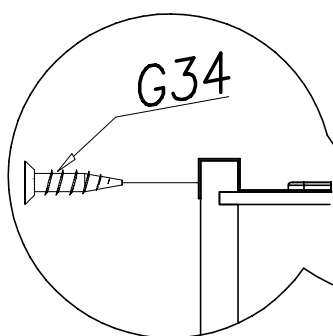
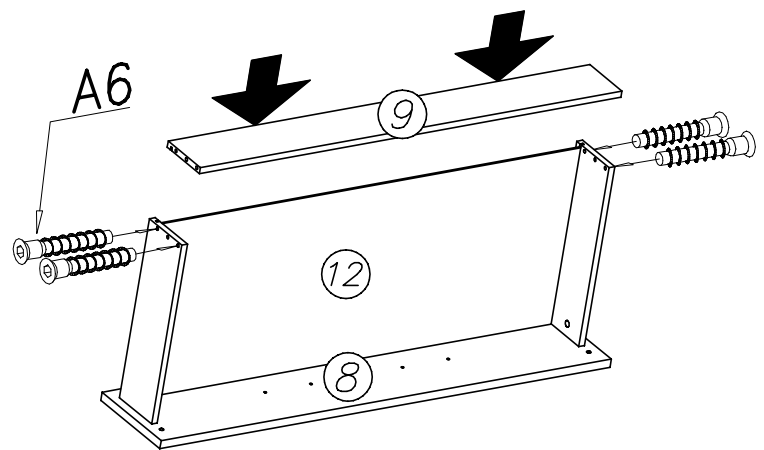
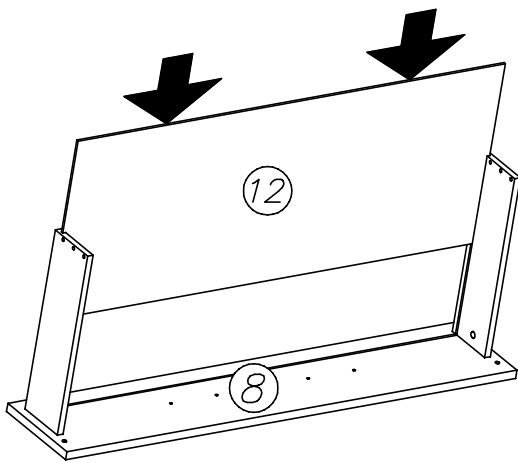
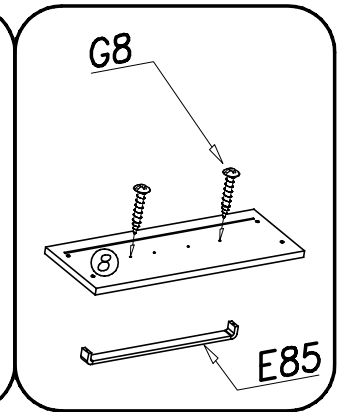
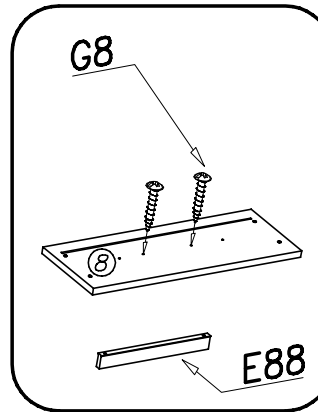
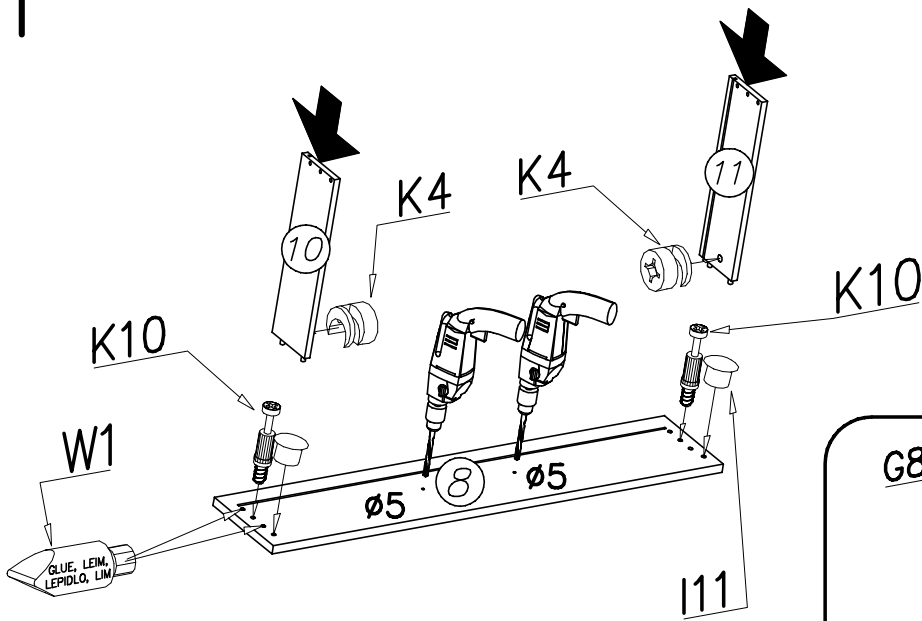


OPCJA B

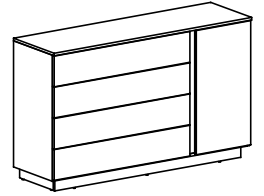
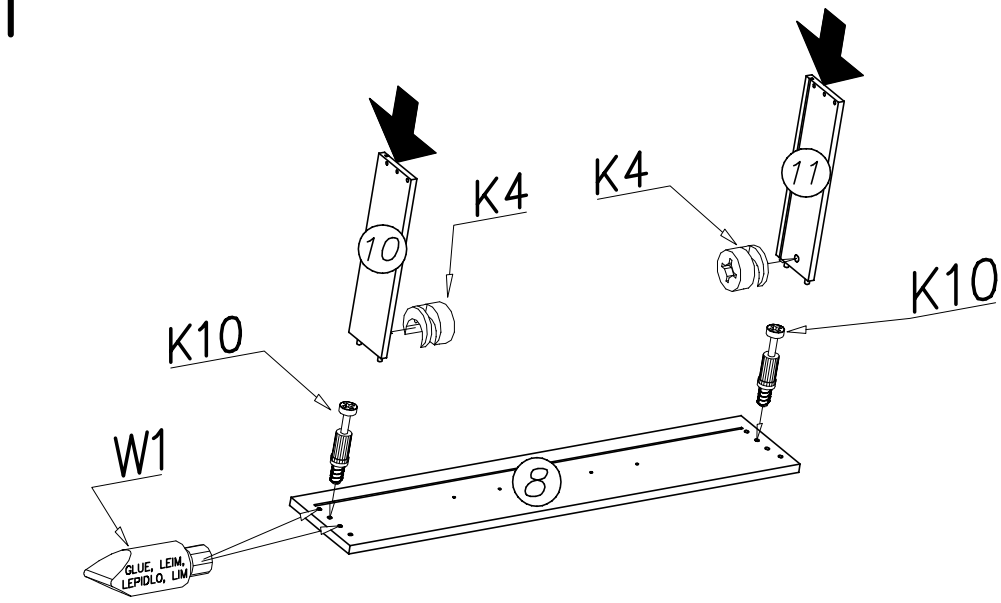


	<b>S1</b>  1346mm x...(1)	<b>F2</b>  x...(4)	<b>I11</b>  ø10 x...(8)	<b>M11</b>  x...(1)
<b>C3</b>  Z35PR x...(2)	<b>D3</b>  PZ35PR x...(2)	<b>P28</b>  x...(1)	<b>M8</b>  350mm x...(4)	
<b>W2</b>  x...(1)	<b>H23</b>  H27-350mm x...(4)	<b>K4</b>  ø12x10 x...(8)	<b>A1</b>  ø7x50 x...(2)	<b>F15</b>  x...(19)
<b>A6</b>  ø7x40 x...(16)		<b>I1</b>  x...(10)	<b>W1</b>  GLUE, LEIM, LEPIDLO, LIM x...(2)	<b>W10</b>  1000mm x...(1)
<b>K1</b>  ø15x12 x...(10)	<b>G8</b>  4x30 x...(10)	<b>G20</b>  5x13 x...(32)	<b>G34</b>  3,5x16 x...(97)	
<b>K10</b>  x...(18)	<b>B1</b>  ø8x35 x...(12)	<b>I7</b>  x...(10)	<b>P4</b>  x...(7)	

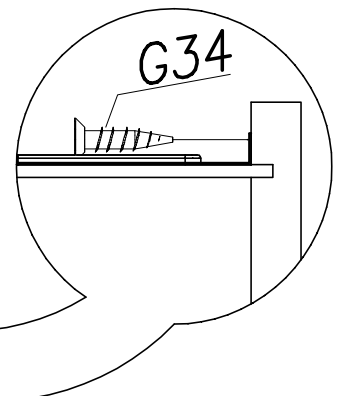
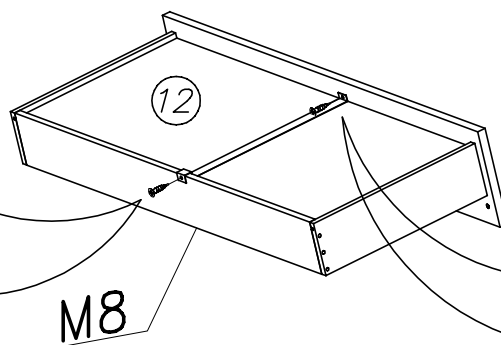
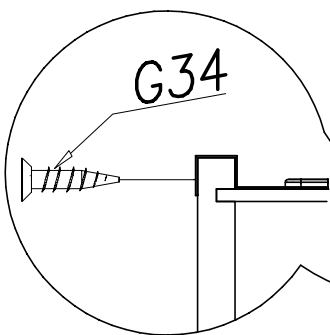
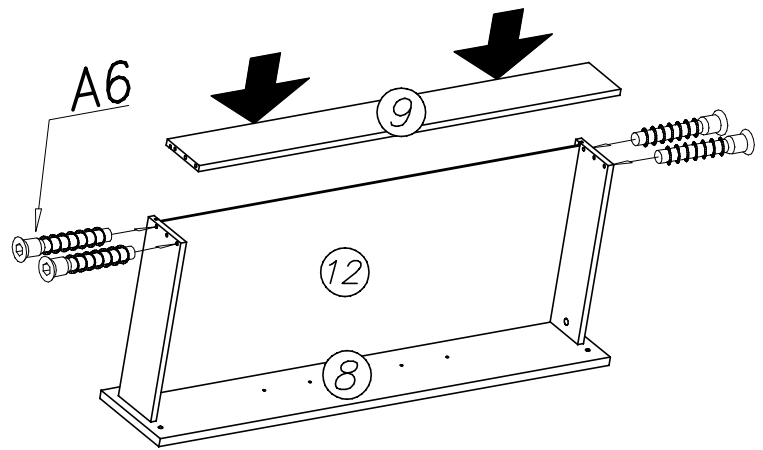
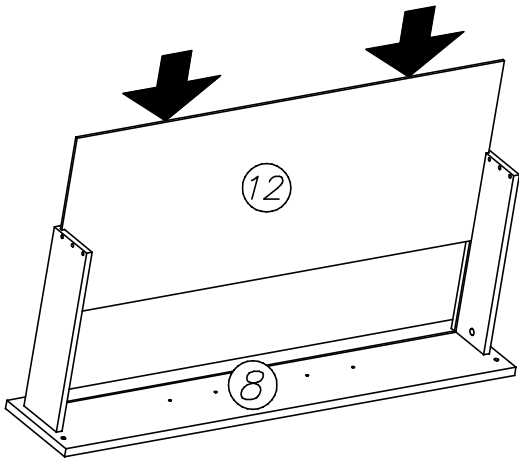
OPCJA A



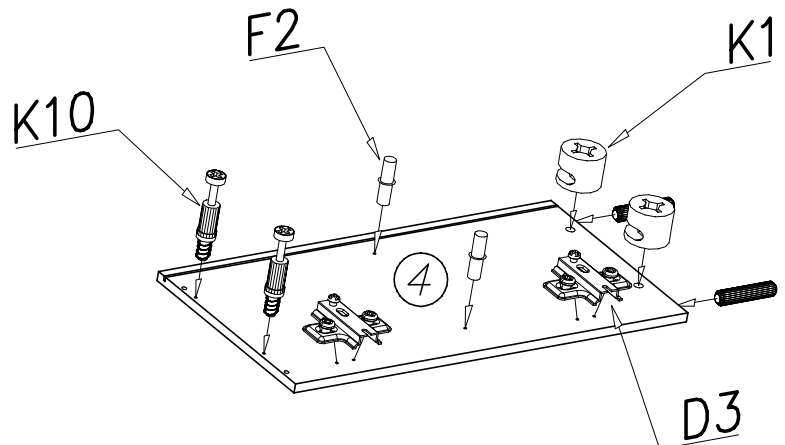
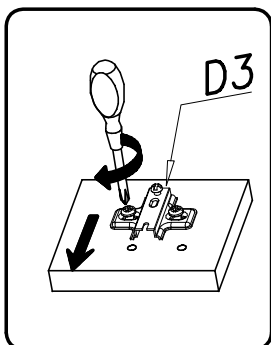
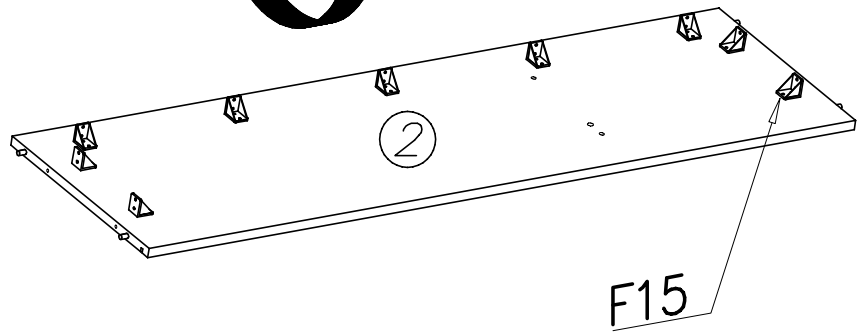
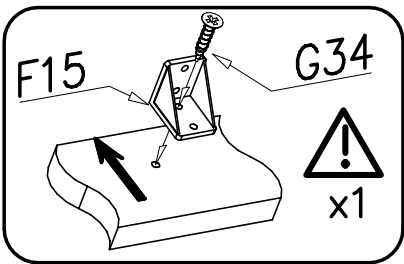
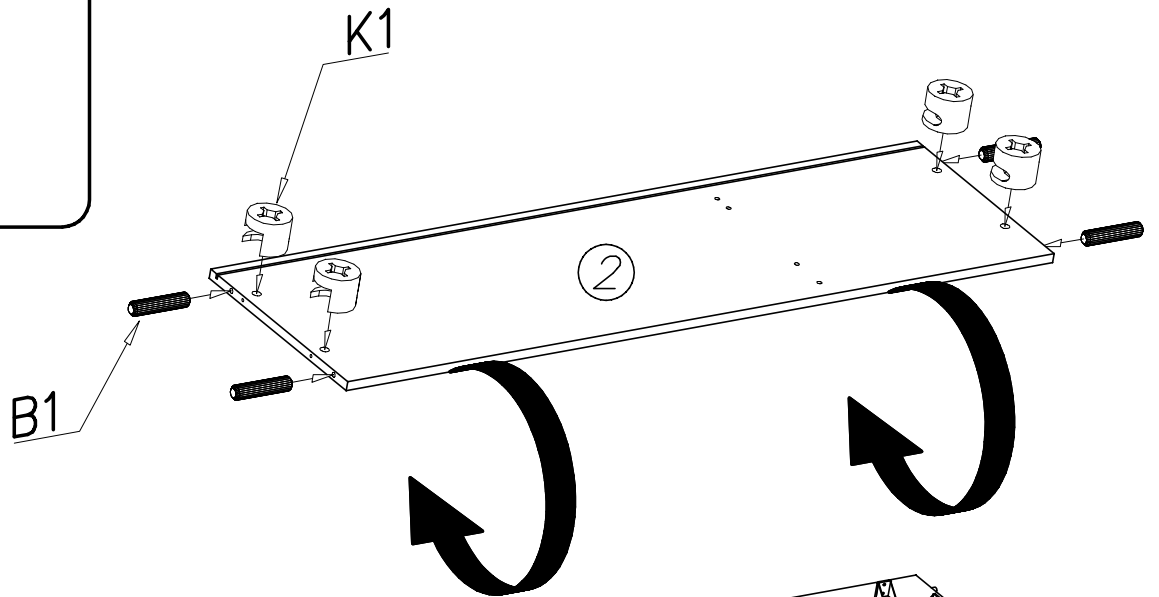
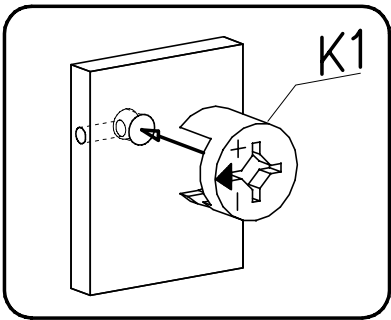
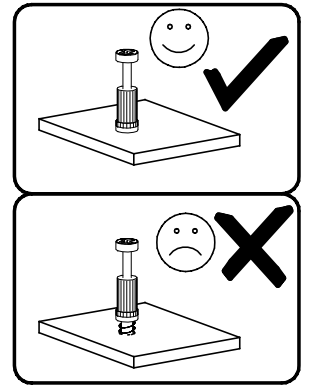
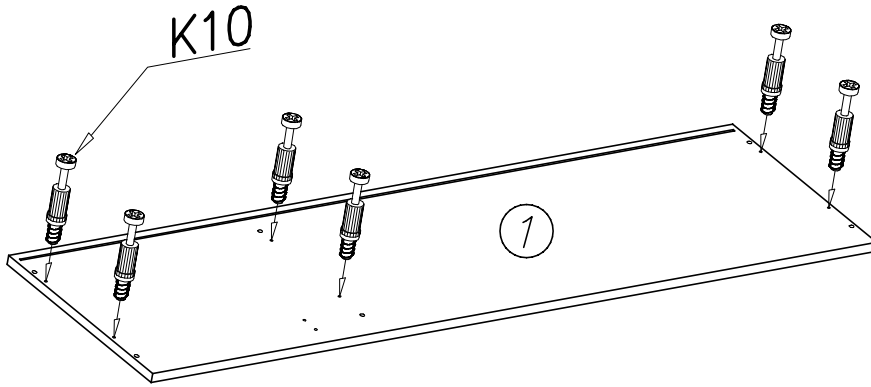
OPCJA B



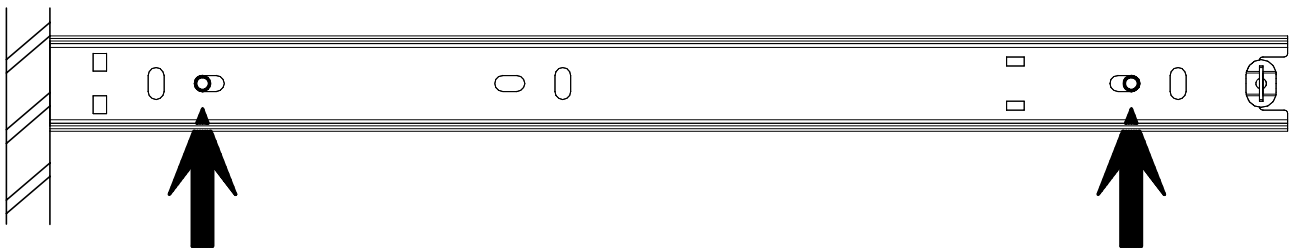
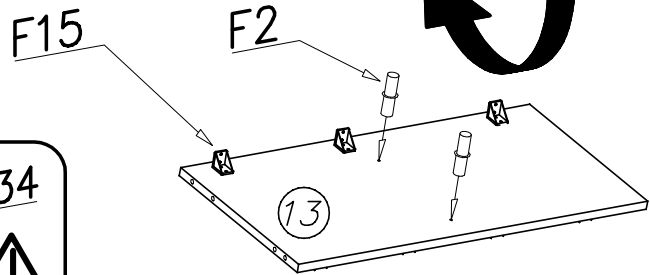
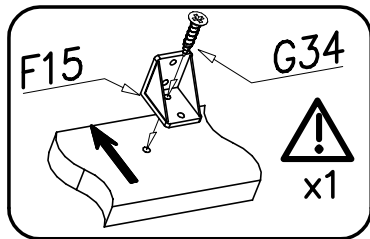
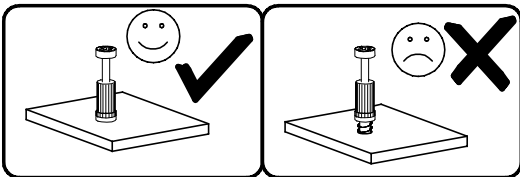
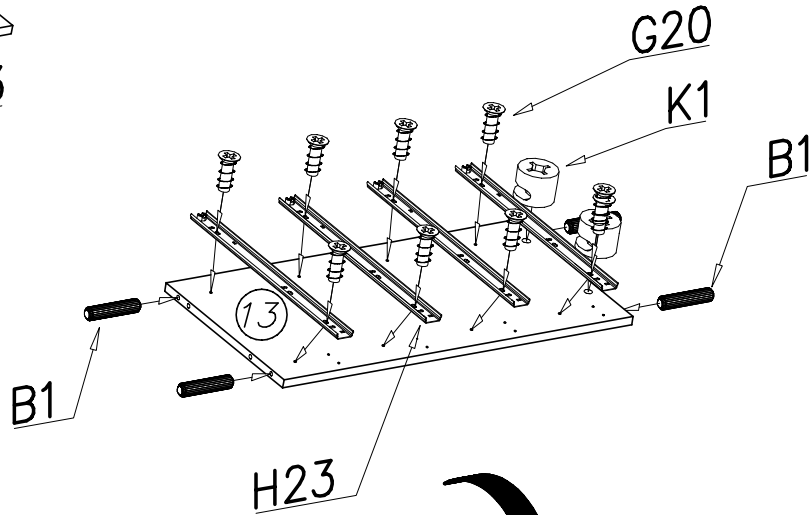
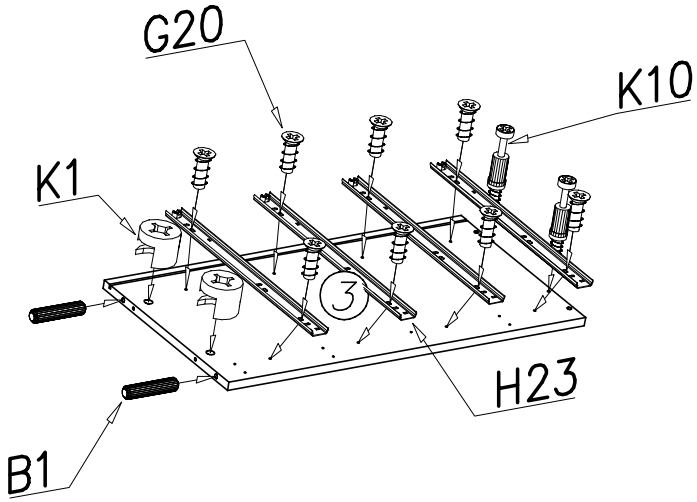
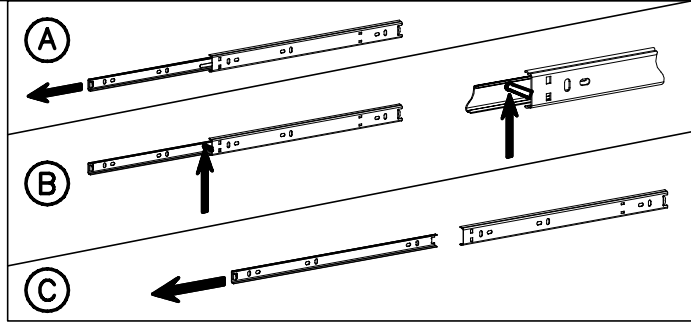
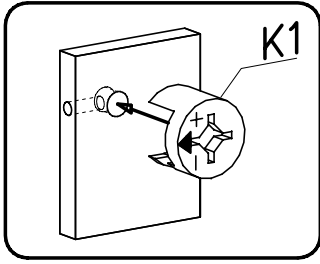
PUSH



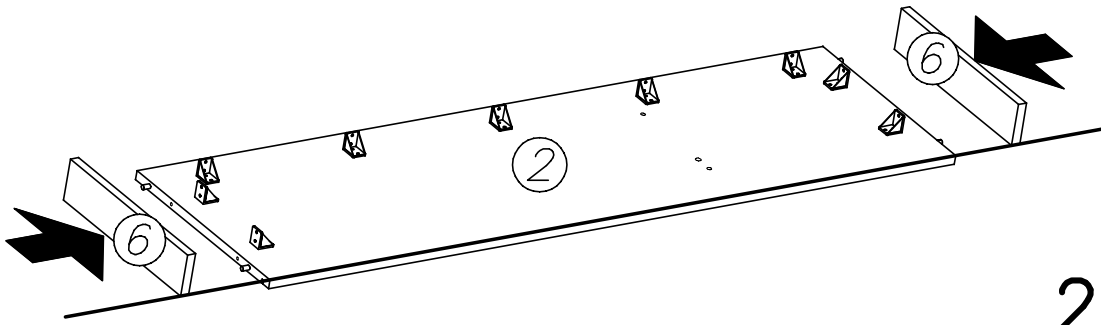
III



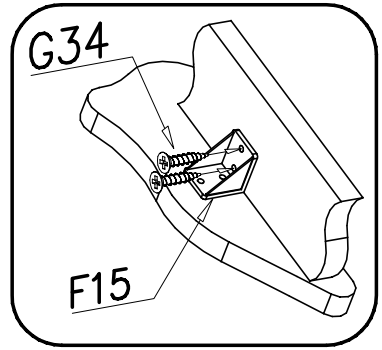
# IV



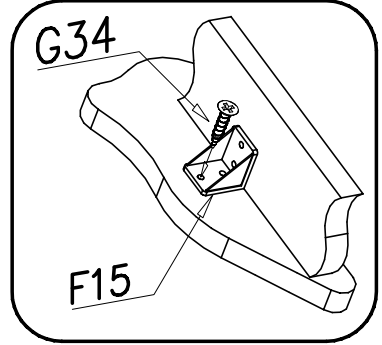
V



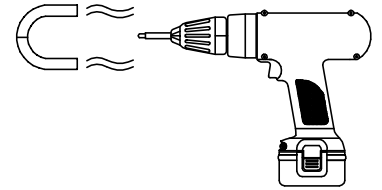
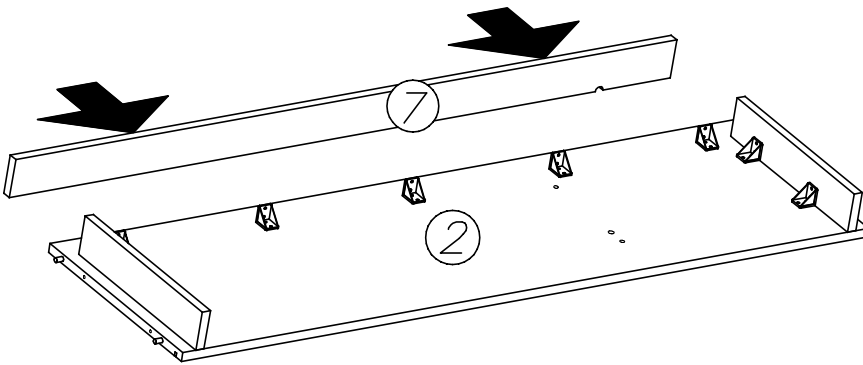
1.



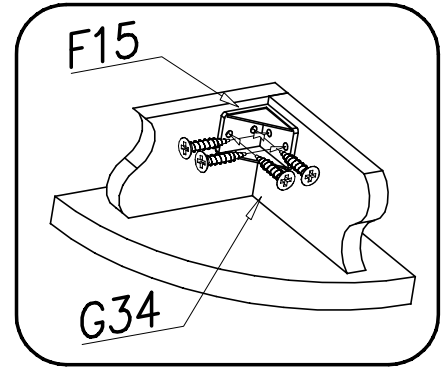
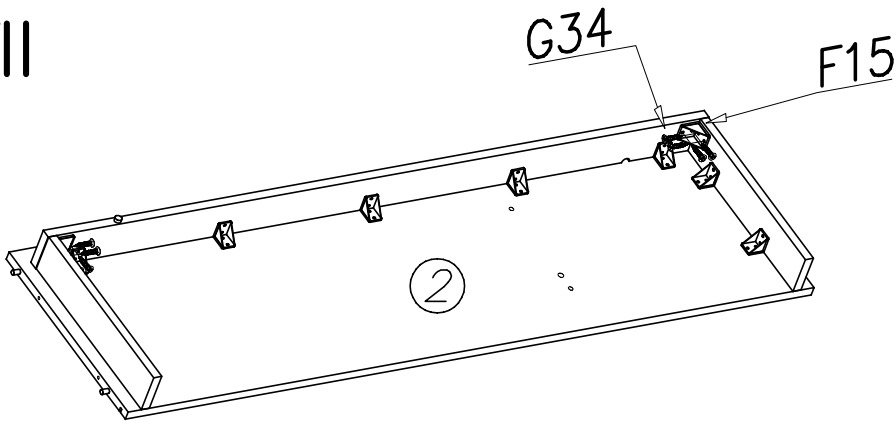
2.



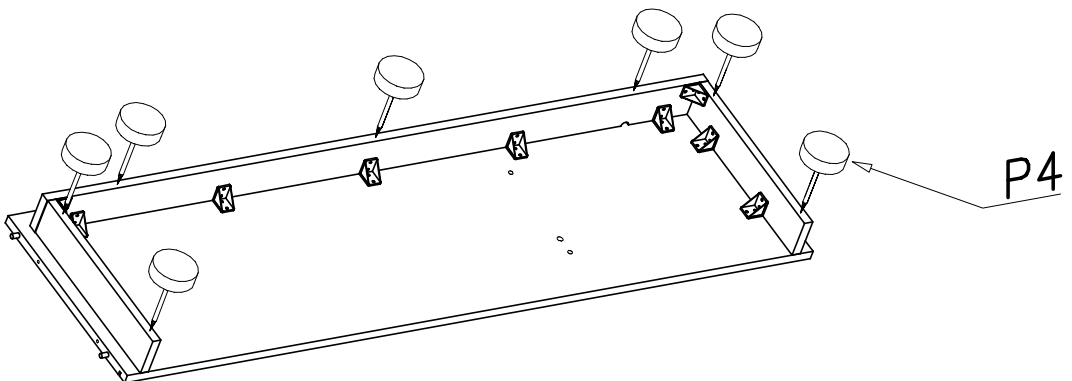
VI



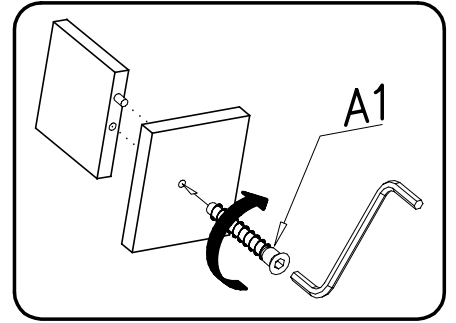
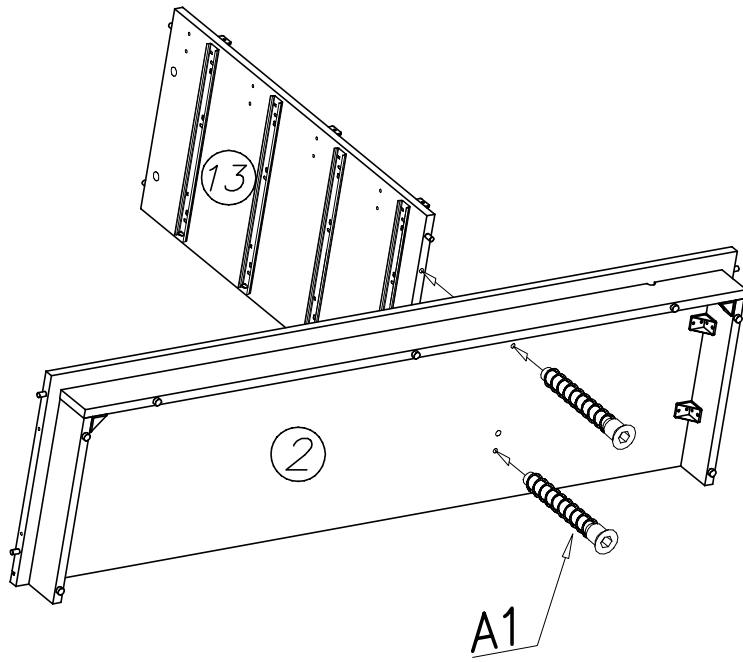
VII



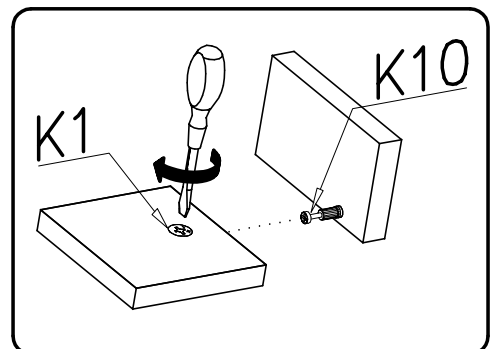
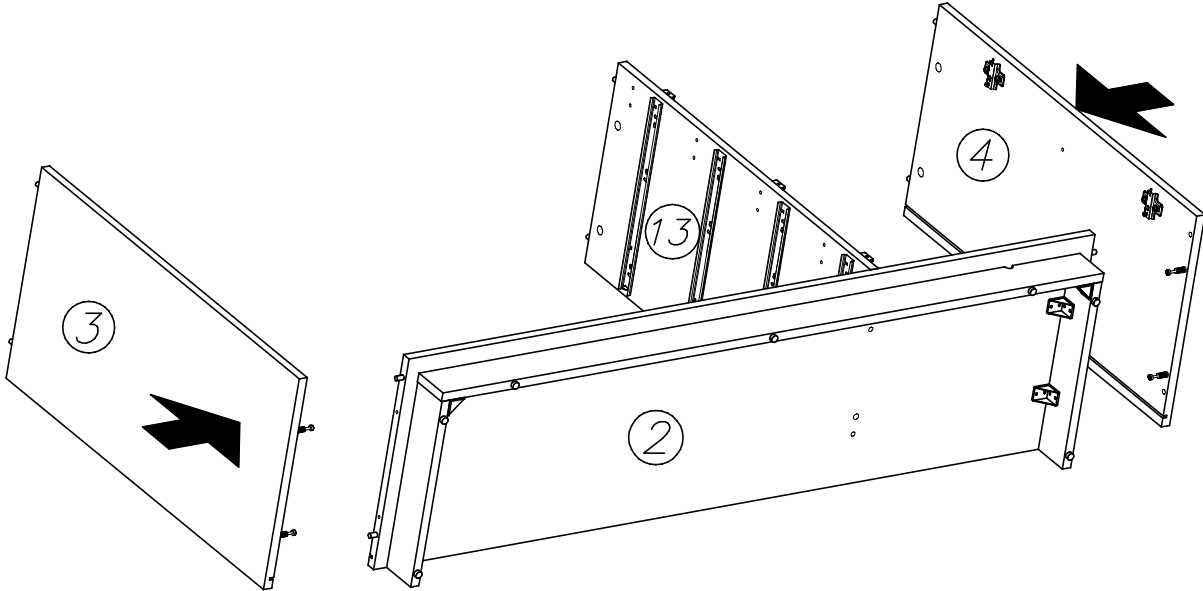
VIII



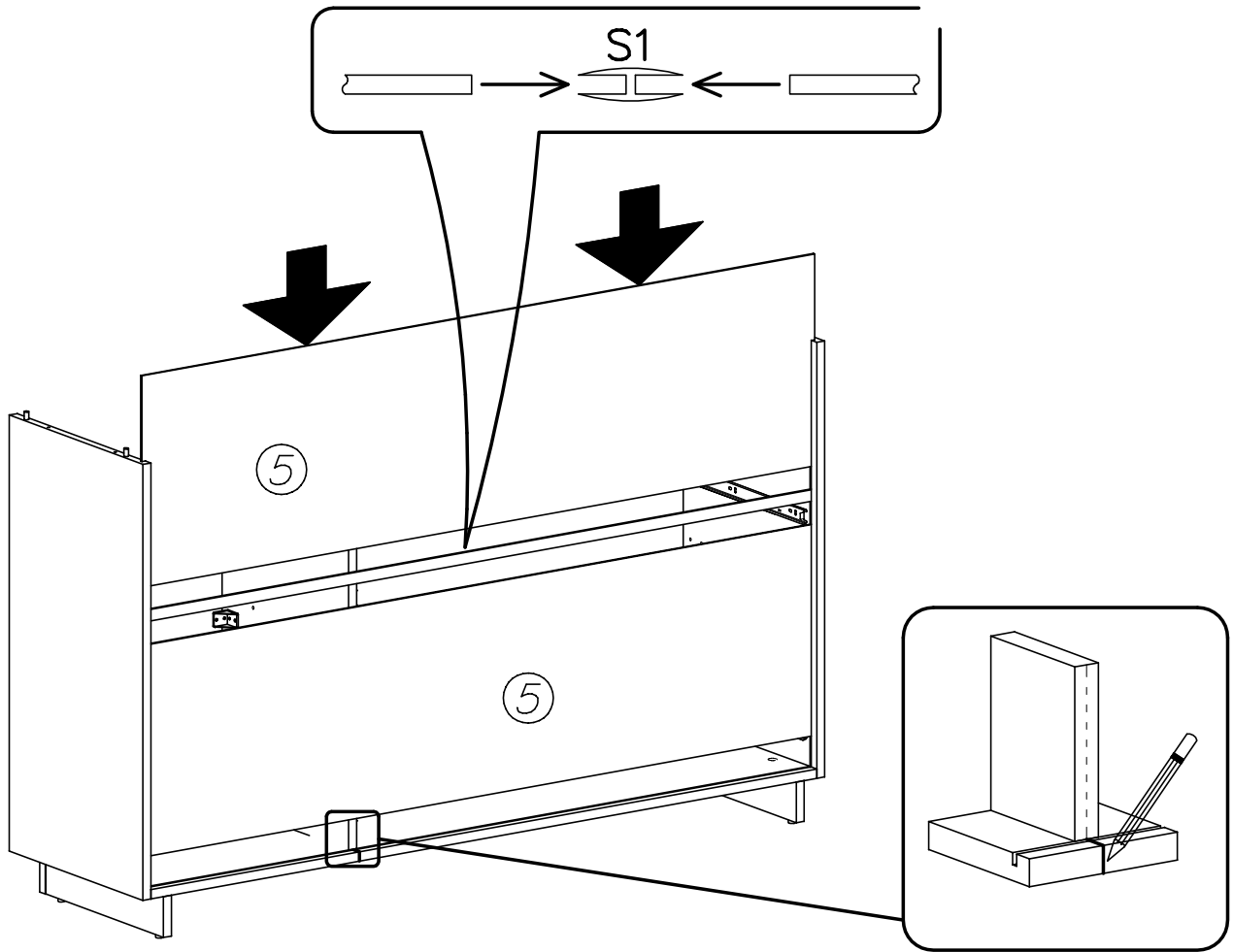
# IX



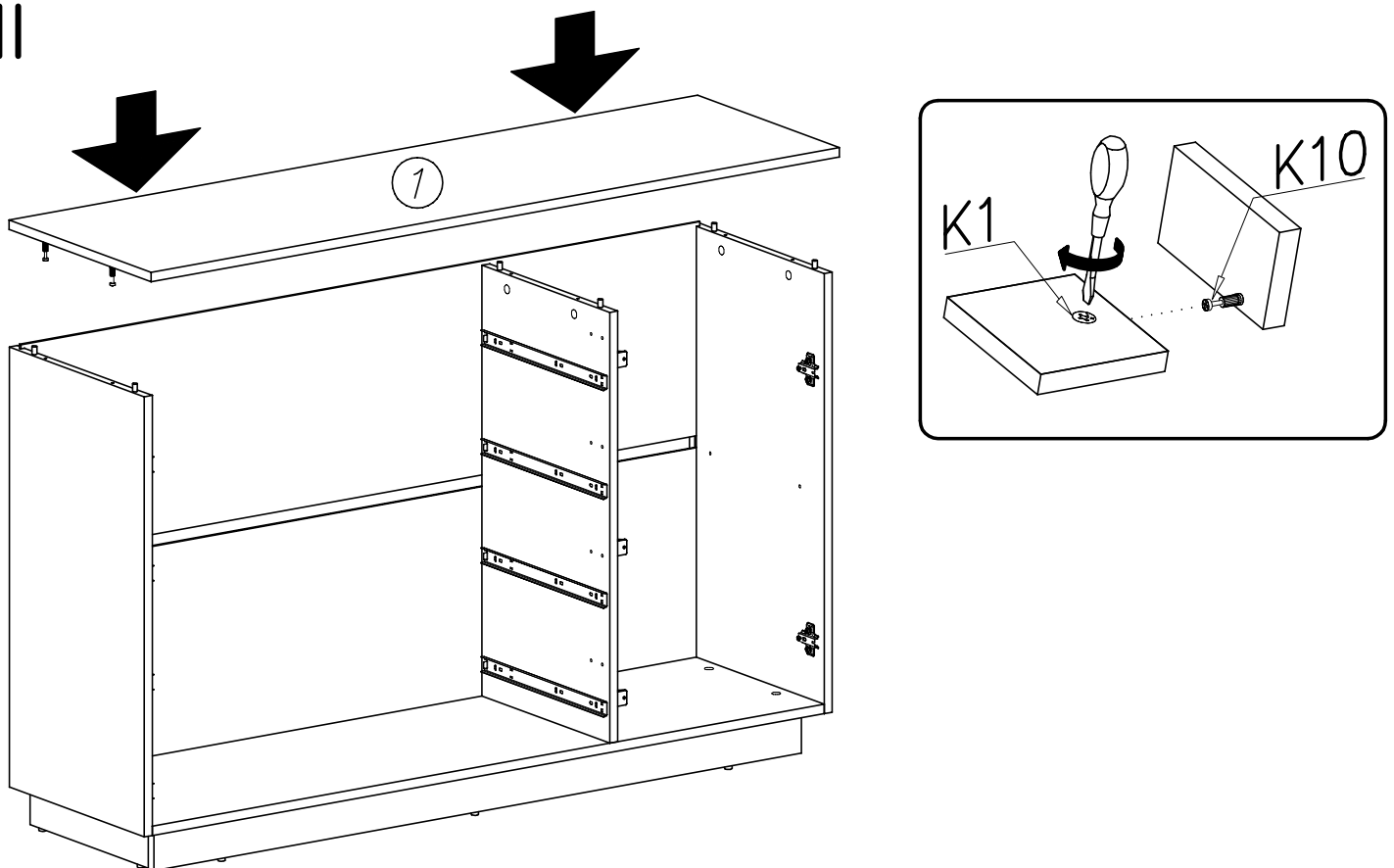
# X



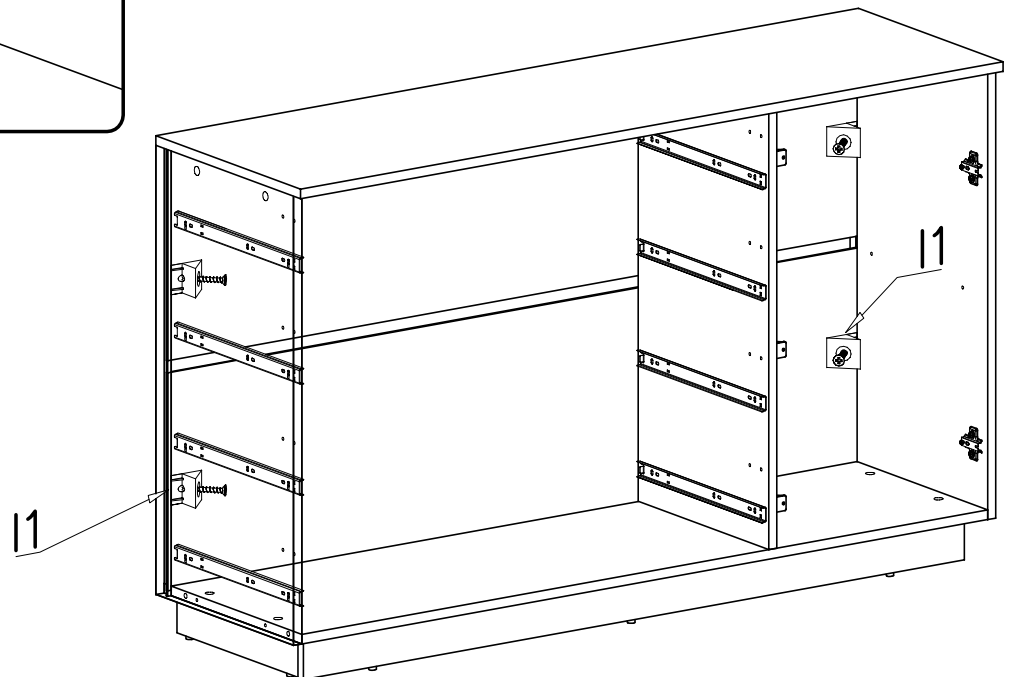
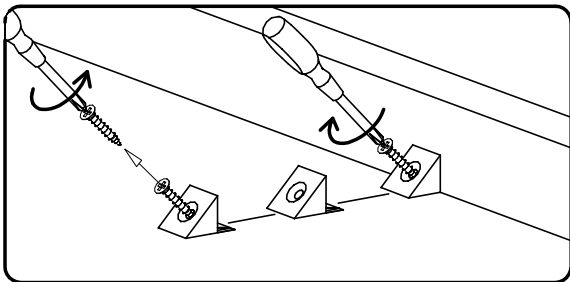
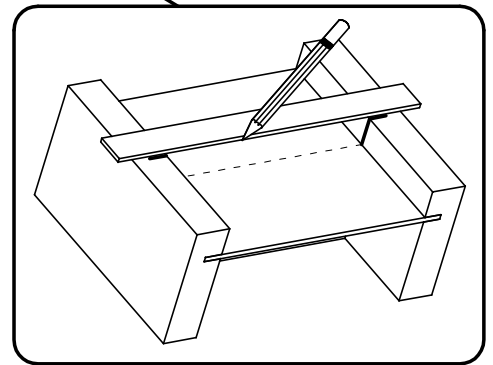
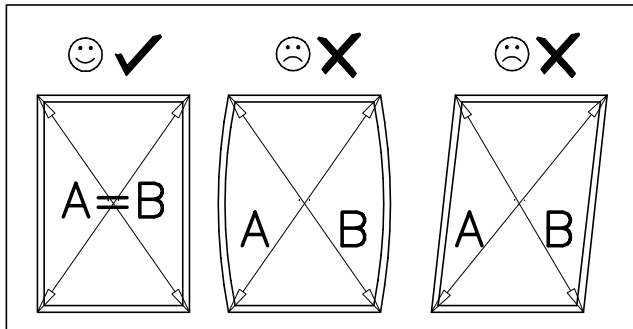
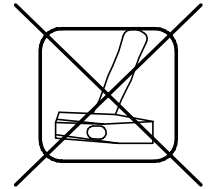
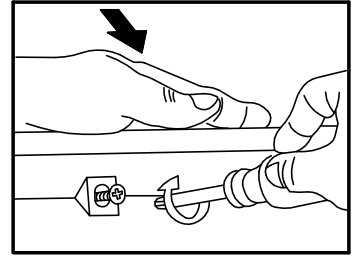
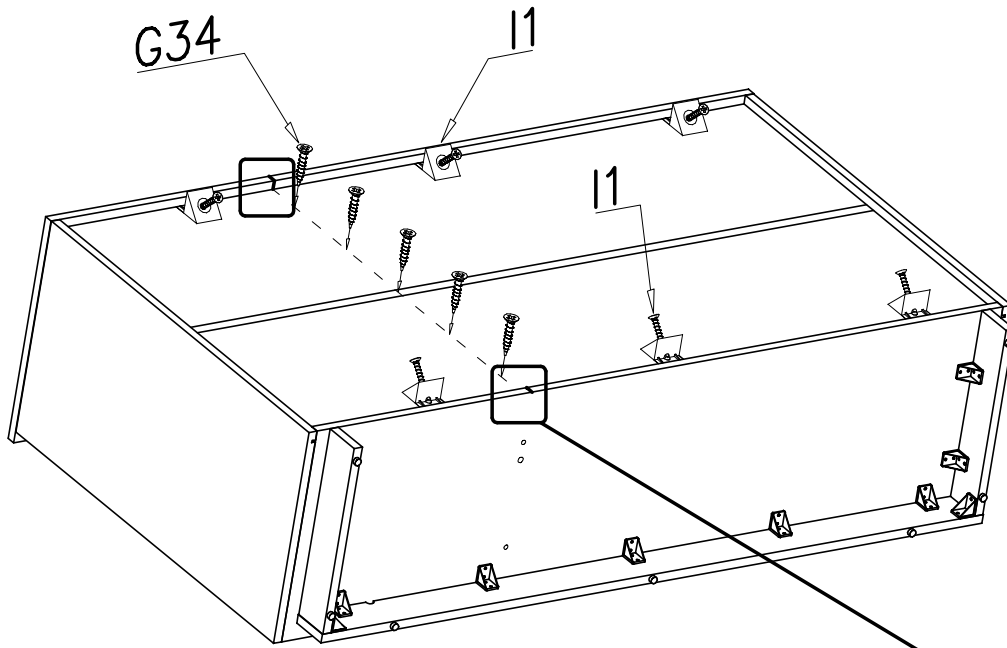
XI



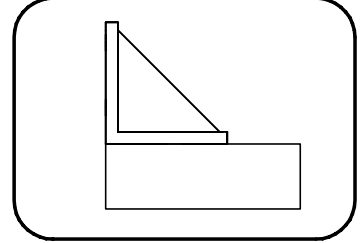
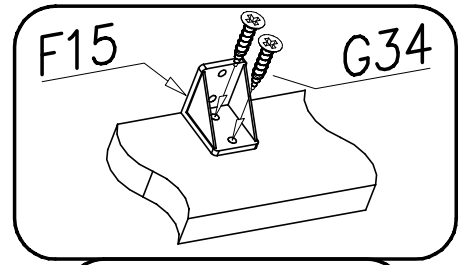
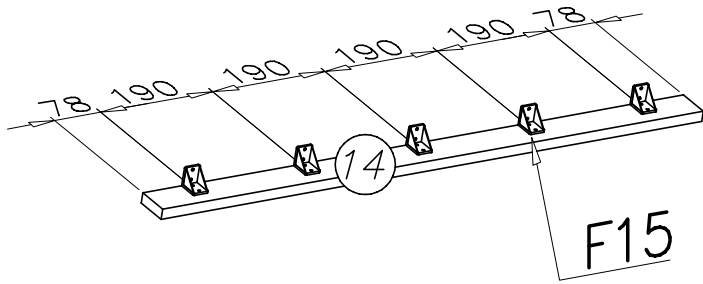
XII



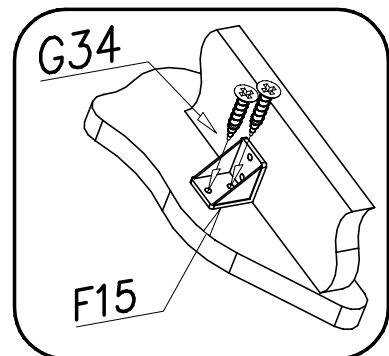
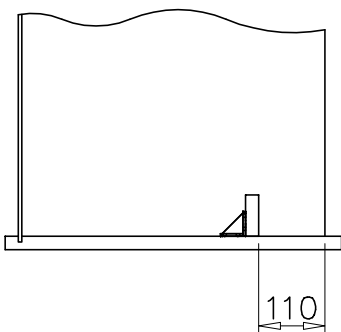
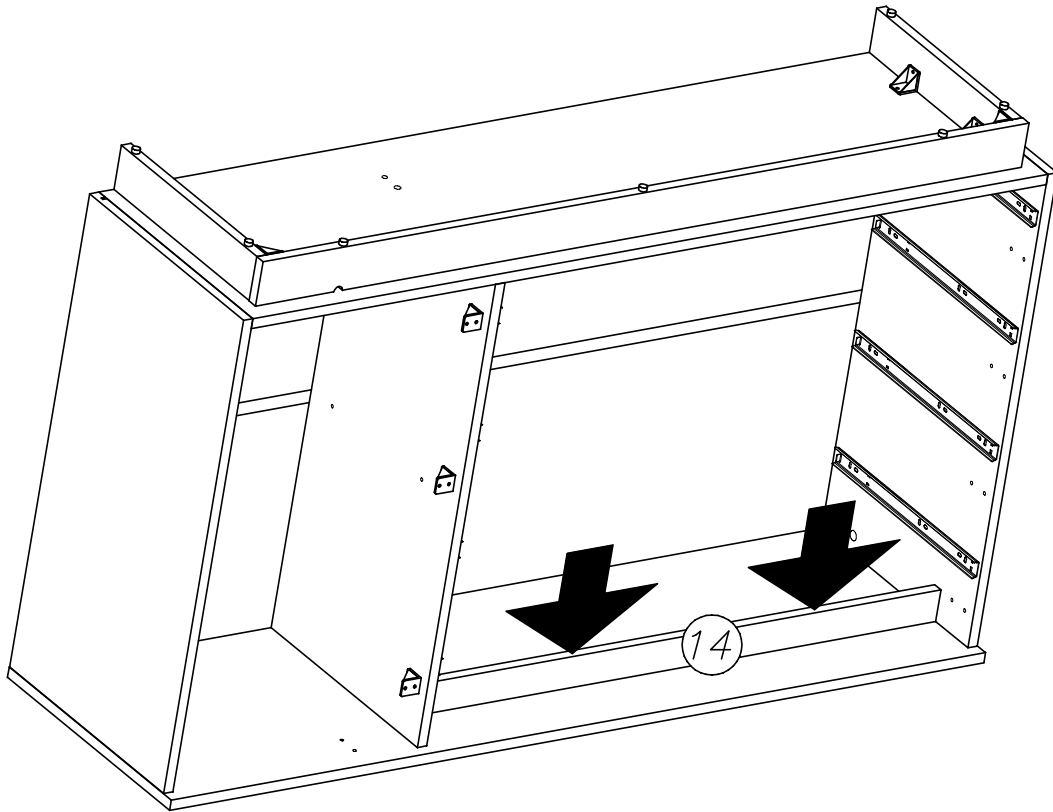
XIII



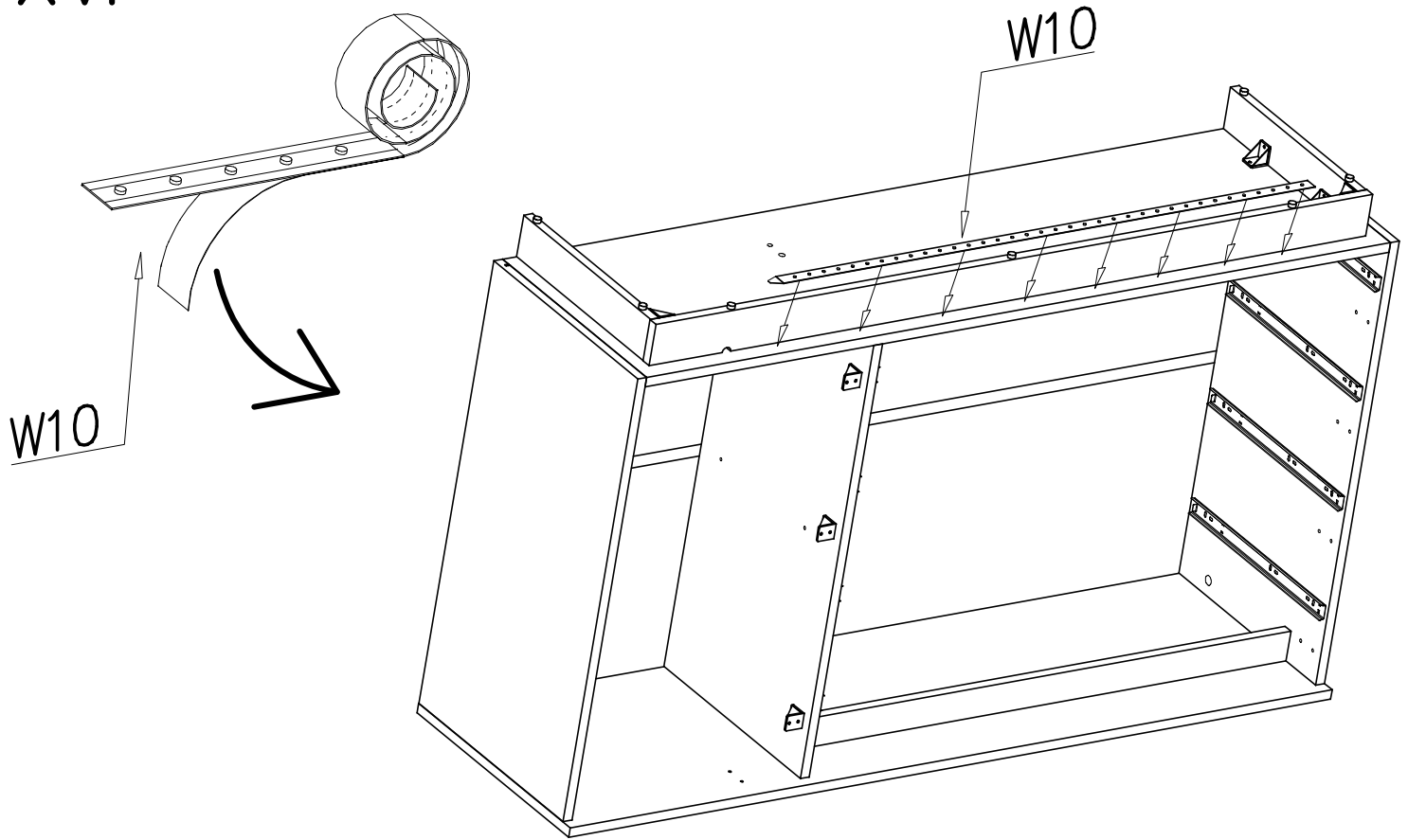
# XIV



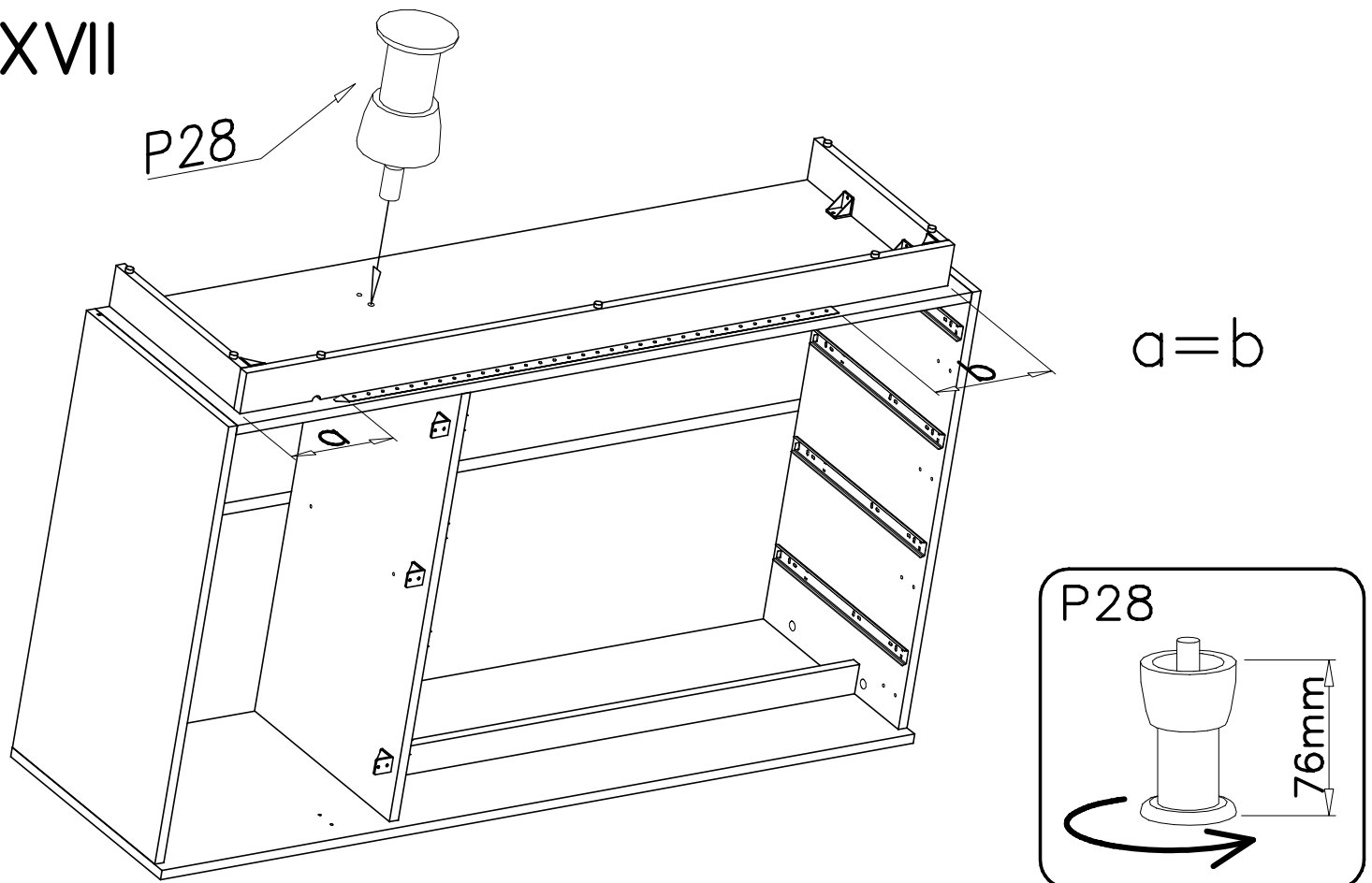
# XV



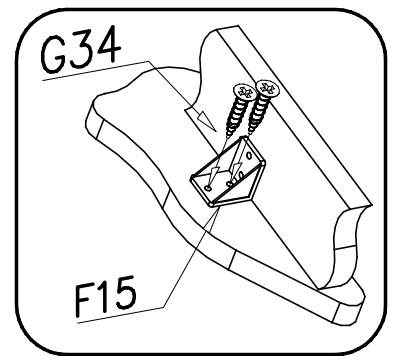
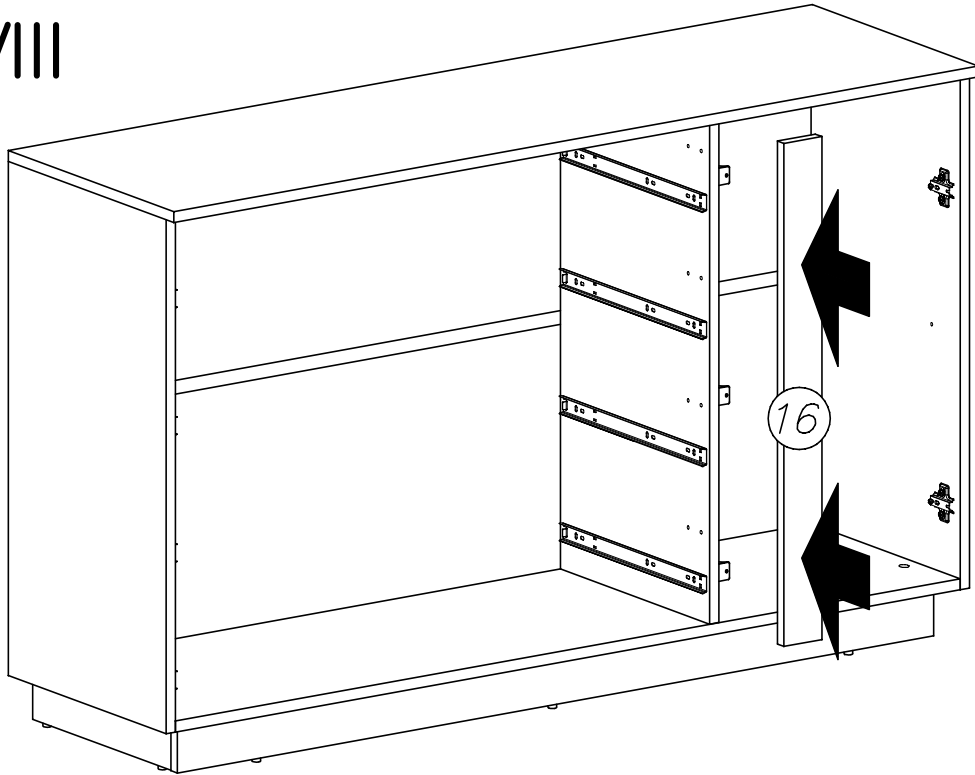
# XVI



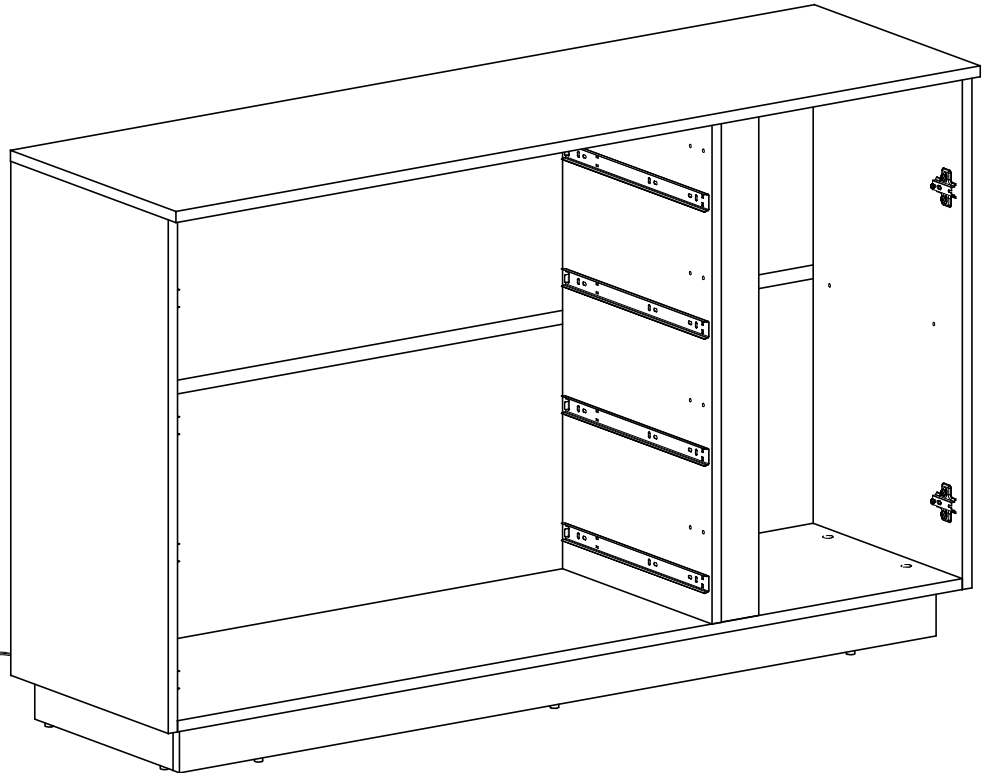
# XVII



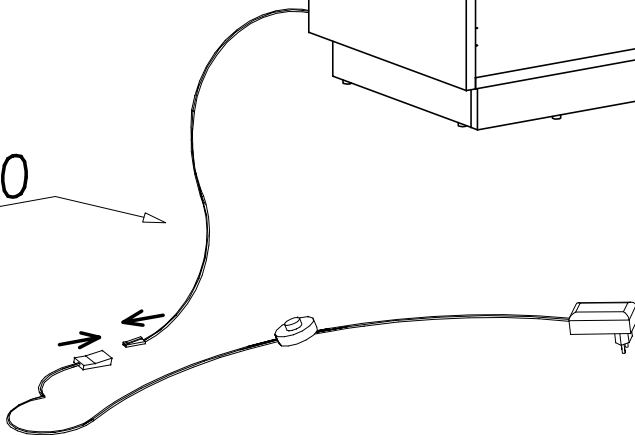
# XVIII



# XIX

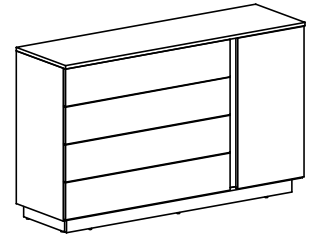
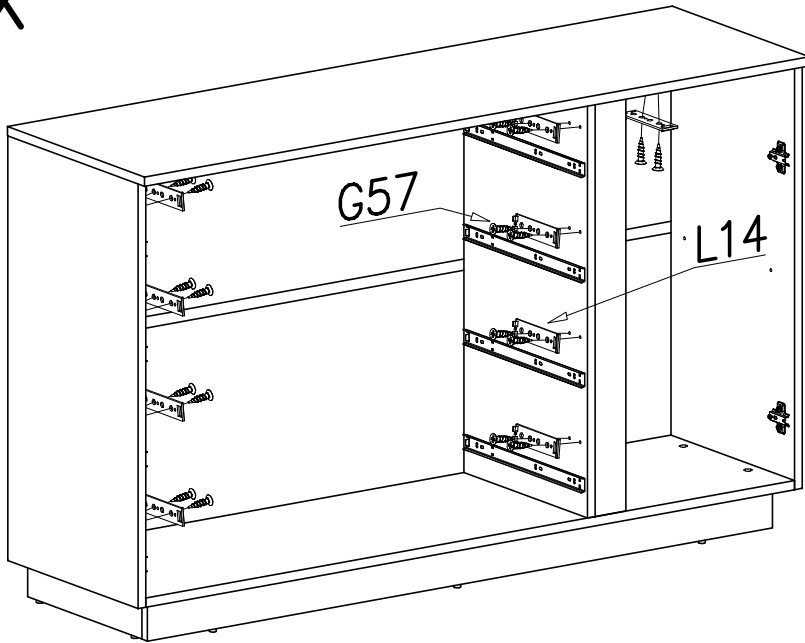


W10

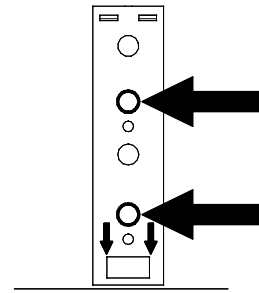


XX

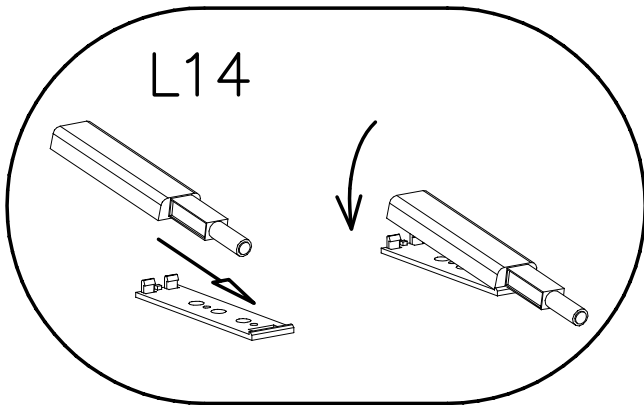
OPCJA B



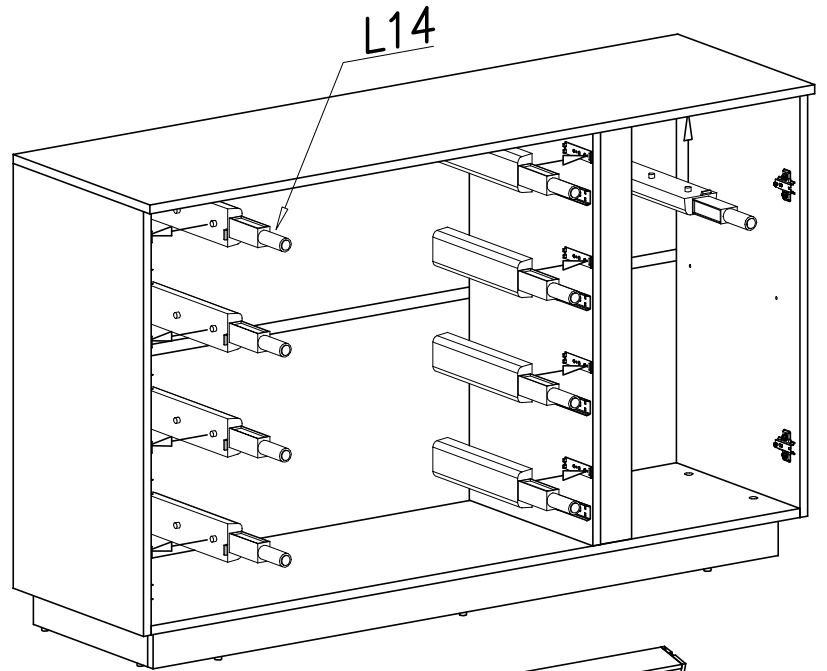
PUSH



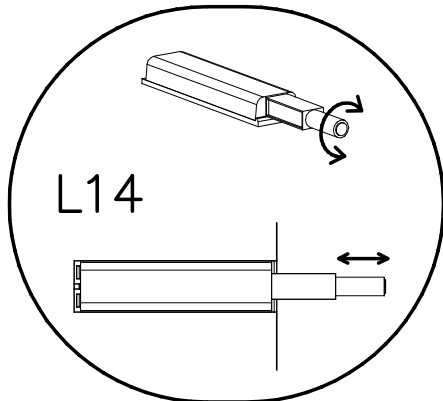
front



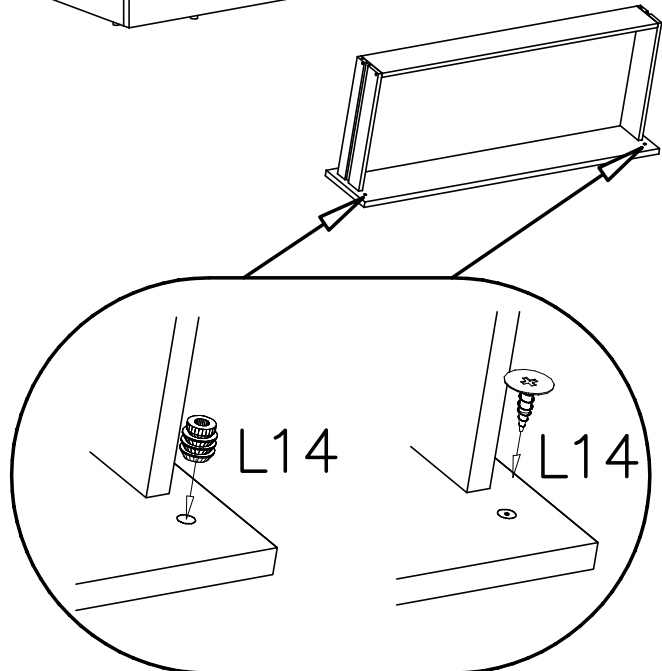
L14



L14



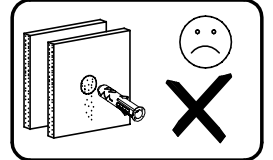
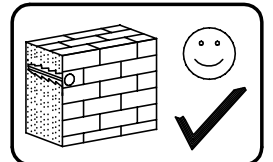
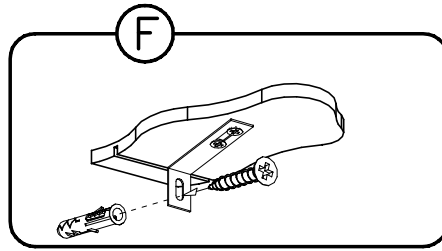
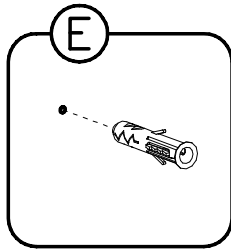
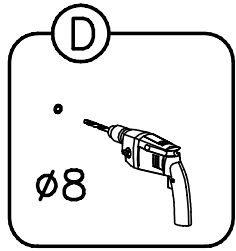
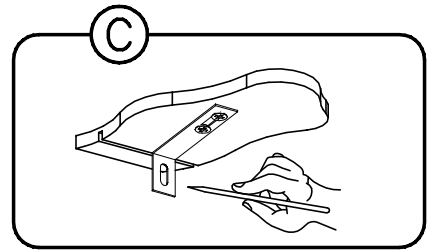
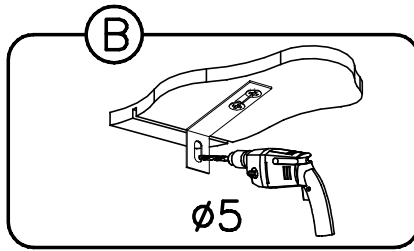
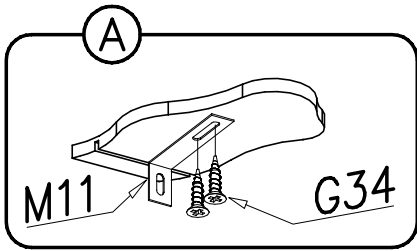
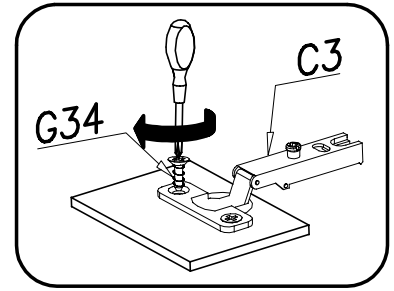
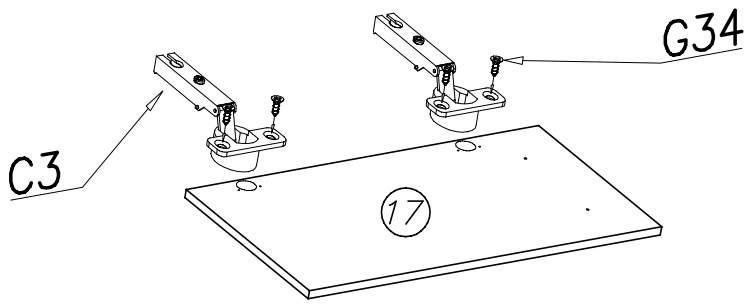
L14



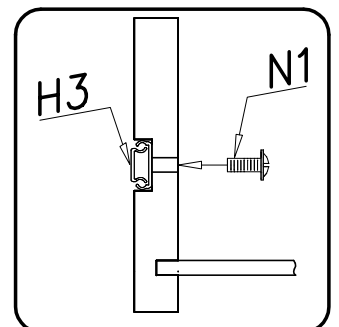
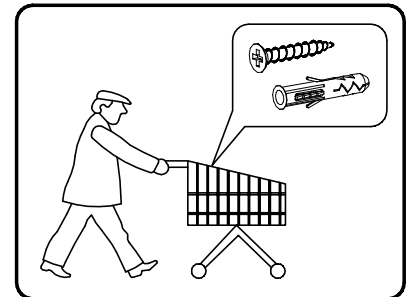
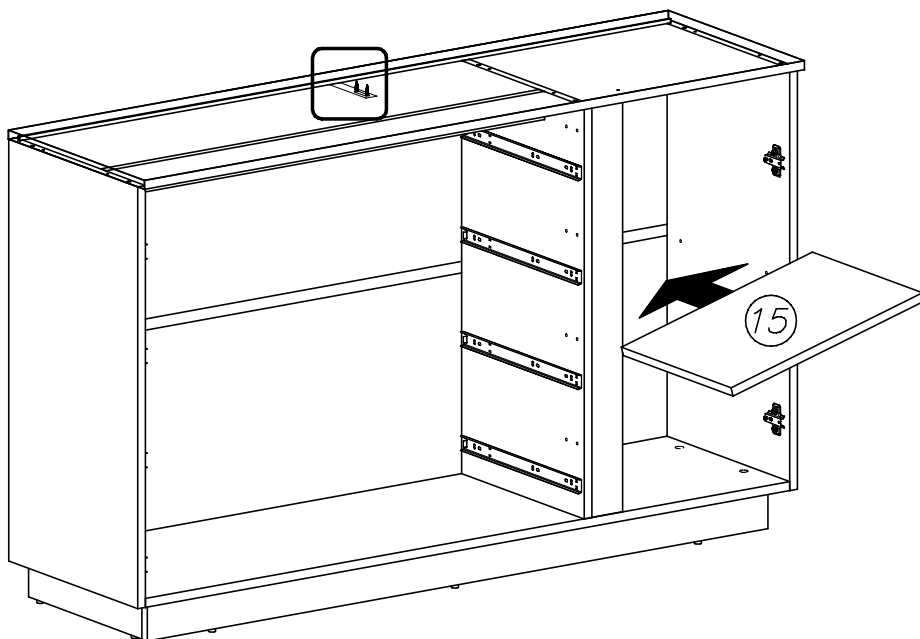
L14

L14

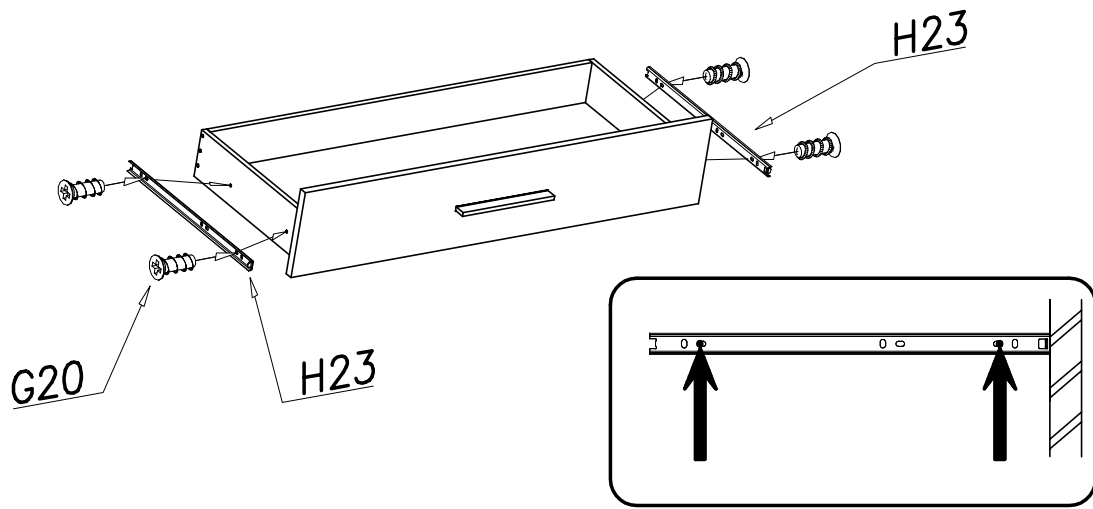
# XXI



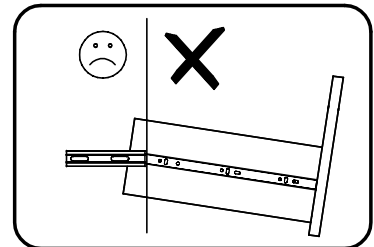
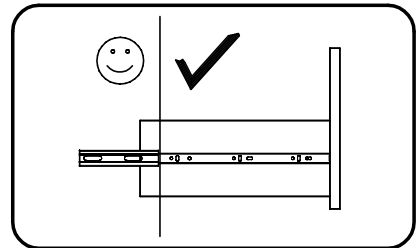
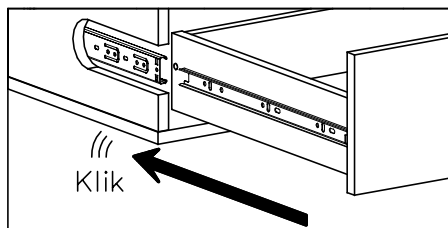
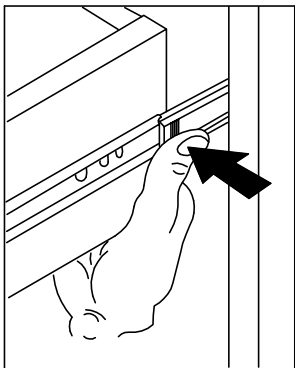
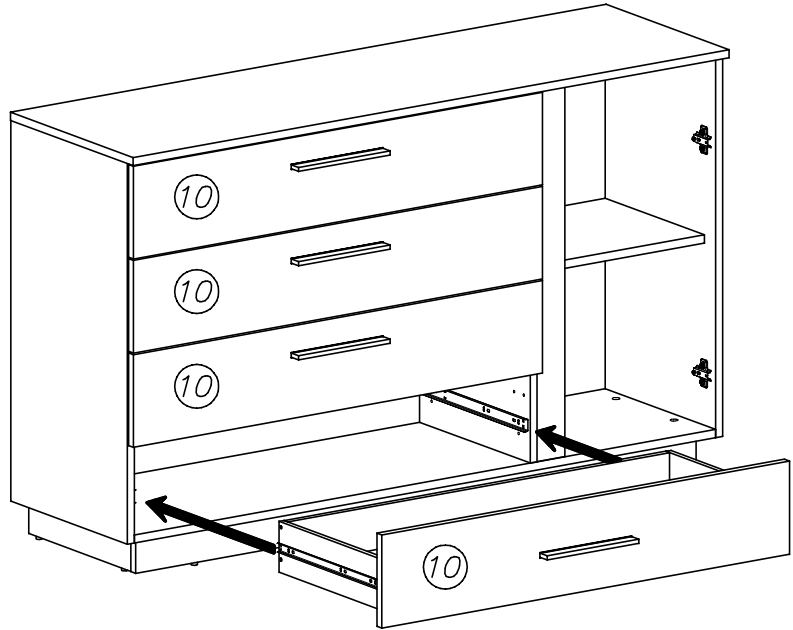
# XXII



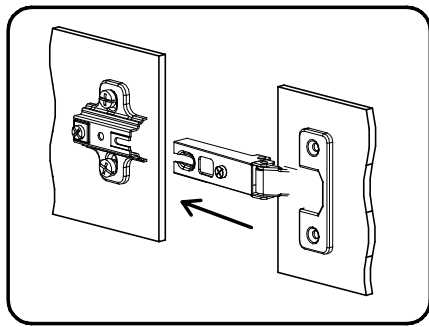
# XXIII



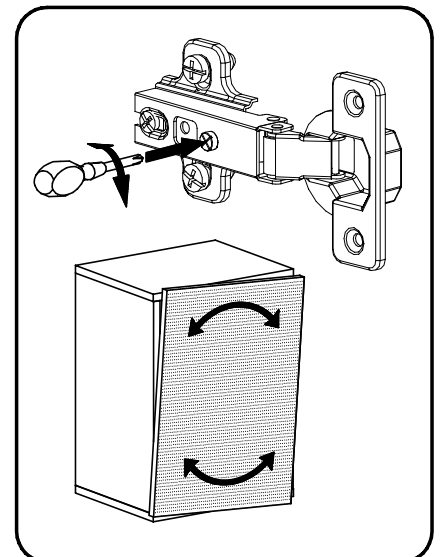
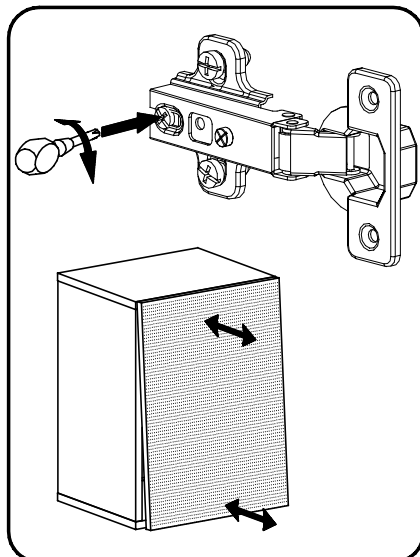
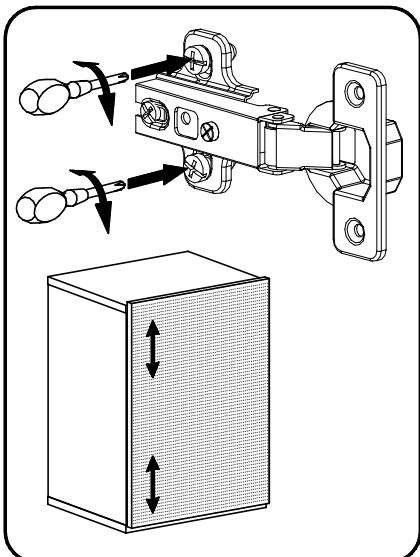
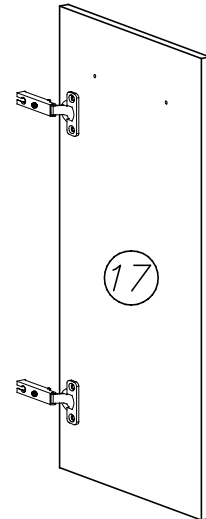
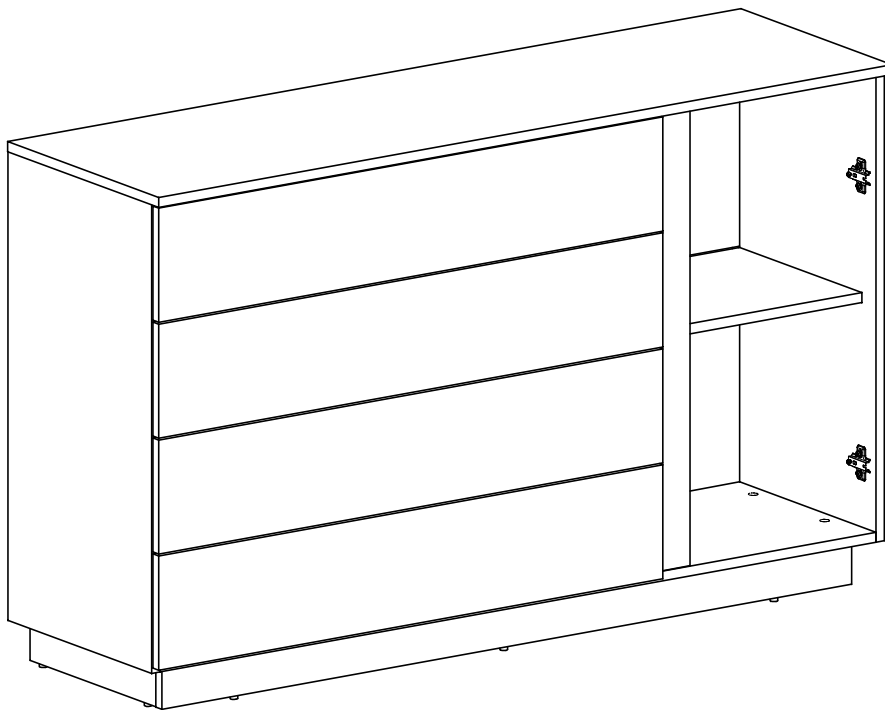
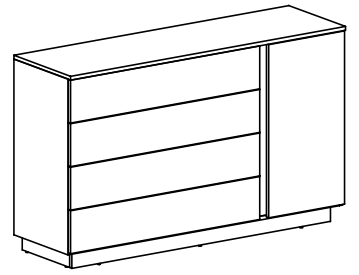
# XXIV



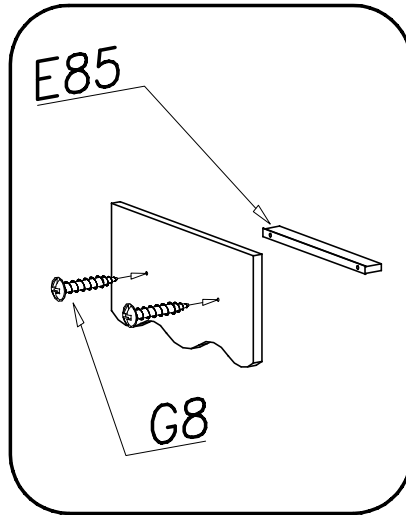
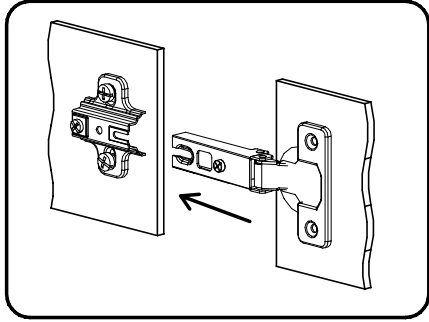
XXV



OPCJA B



XXVI



OPCJA A

