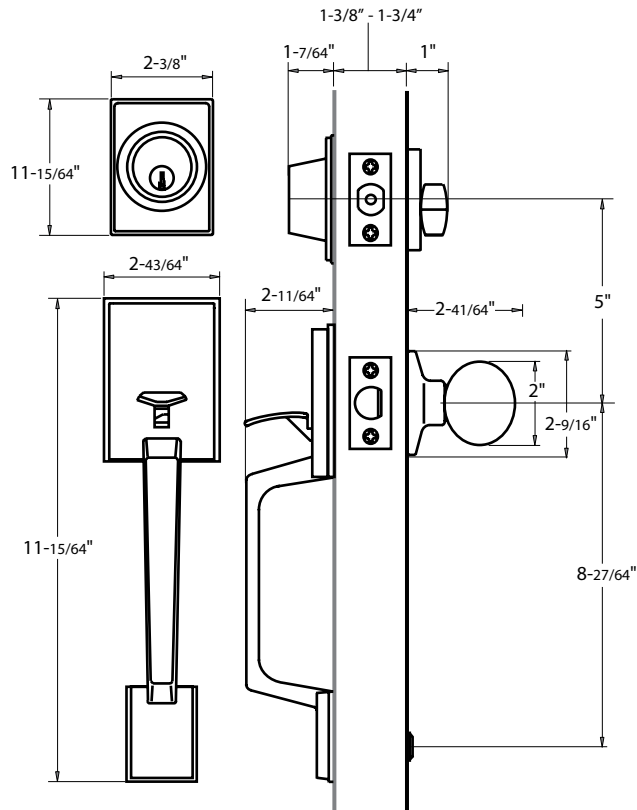


**CAPRI
CONTEMPORARY COLLECTION**



DIMENSIONS



STANDARD SPECIFICATIONS

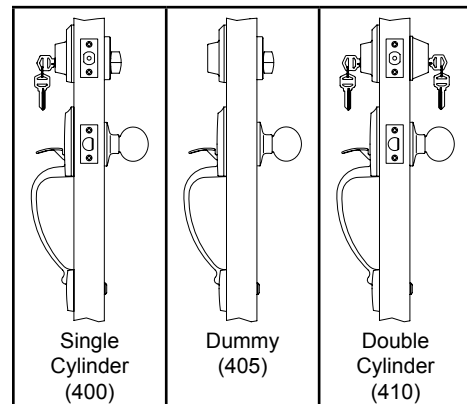
Door Prep	Deadbolt cross bore: 2-1/8" Handleset cross bore: 2-1/8" Edge bore: 1" Latch face: 1" x 2-1/4" Mounting bore distance (center to center): 5-1/2"
Backset	Fits 2-3/8" and 2-3/4"
Door Thickness	1-3/8" ~ 1-3/4" door standard 2-1/4" Ext. Kits Available
Cylinder	KW1 5-pin standard, SC1 5-Pin Optional Handlesets packed KD
Latches	Upper: 2-3/8" and 2-3/4" adjustable (9092) Faceplate: 1" x 2-1/4" round corner Bolt: Solid Brass with hardened steel rod, full 1" throw Lower: 2-3/8" and 2-3/4" adjustable (9080R) Faceplate: 1" x 2-1/4" round corner Bolt: Solid Brass 1/2" throw Cira/Vida Interior: 2-3/8" & 2-3/4" adj. (9046R) Faceplate: 1" x 2-1/4" round corner Bolt: Solid Brass 1/2" throw.
Strikes	Deadbolt: 2-1/4" full lip round corner (9117 & 9113) Thumbpiece: 2-1/4" full lip round corner (9103)
Wood Screws	Combination screws that suit both wood or metal door mounting
Door Handing	Cira & Vida reversible. Specify handing when ordering other levers as interior option

PRICING

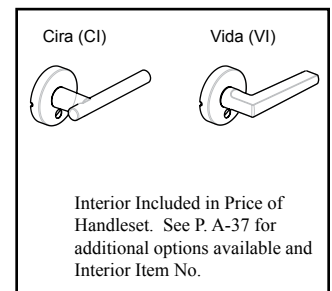
Model	Function	WT/CTN	CTN QTY	Contemporary Collection		Additional Capri Finishes			
				US15	US26	US3	US10B	US12P	
400-CA	Single Cylinder	42 Lbs	10 Pcs	Item No.	240800	240802	240803	240809	240812
				List Price					
405-CA	Dummy	35 Lbs	10 Pcs	Item No.	240801	240822	240804	240819	240857
				List Price					
410-CA	Double Cylinder	48 Lbs	10 Pcs	Item No.	241800	241802	241803	241809	241812
				List Price					

*Handleset Pricing includes Interior Knob or Lever. Specify when ordering.

FUNCTIONS



INTERIOR OPTIONS



THE DELANEY CO.

Copyright © THE DELANEY CO. All rights reserved.