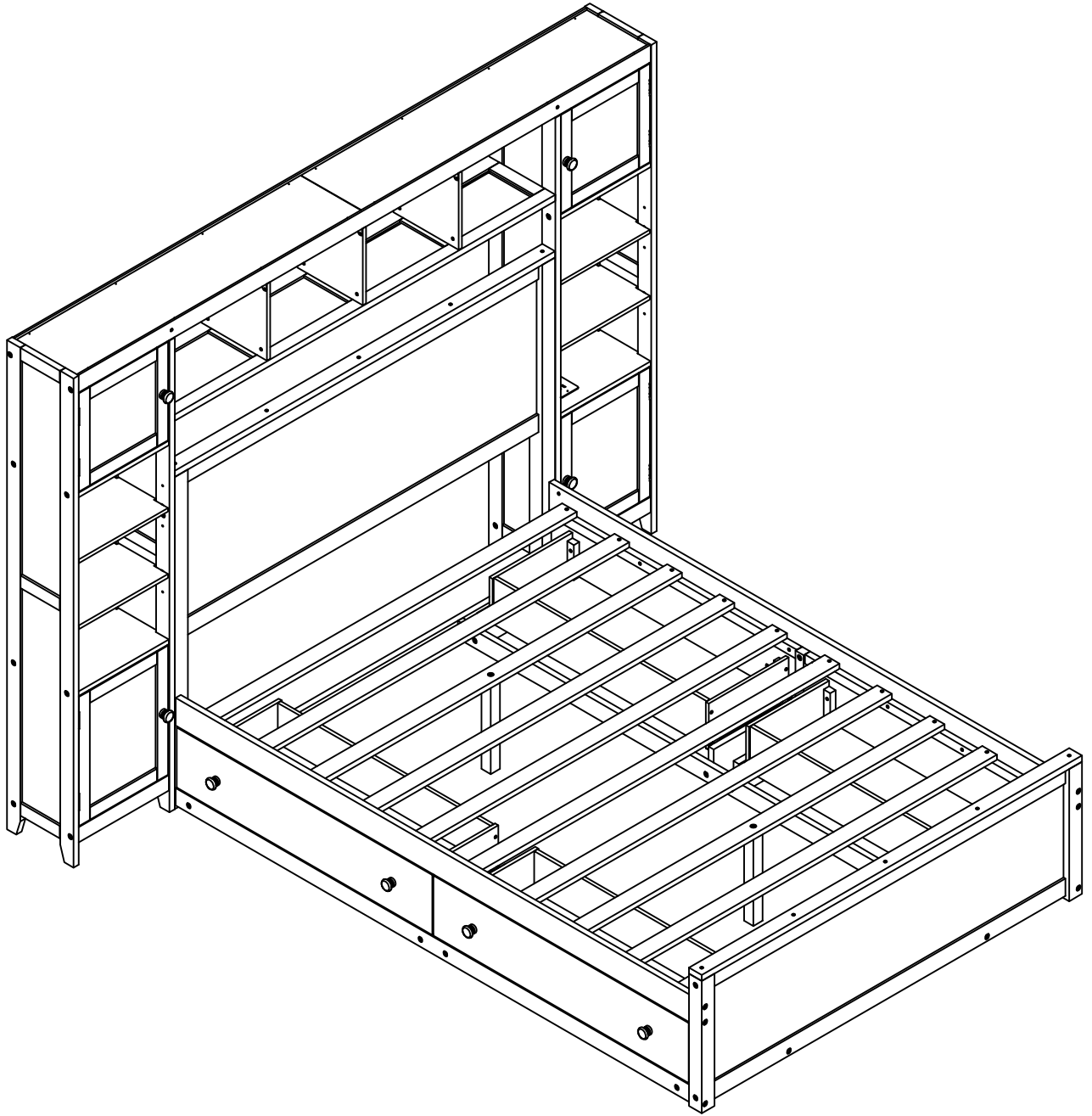
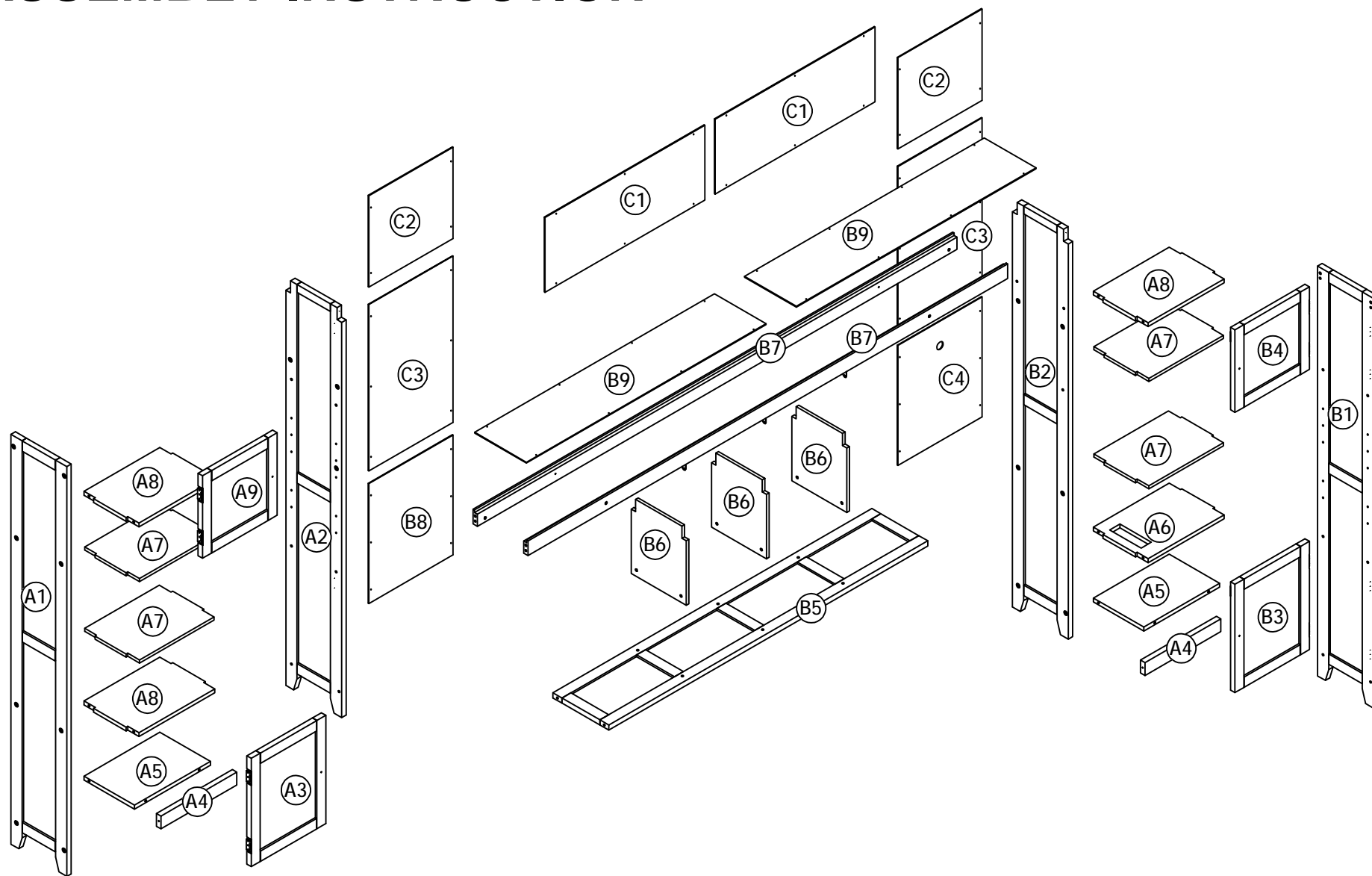


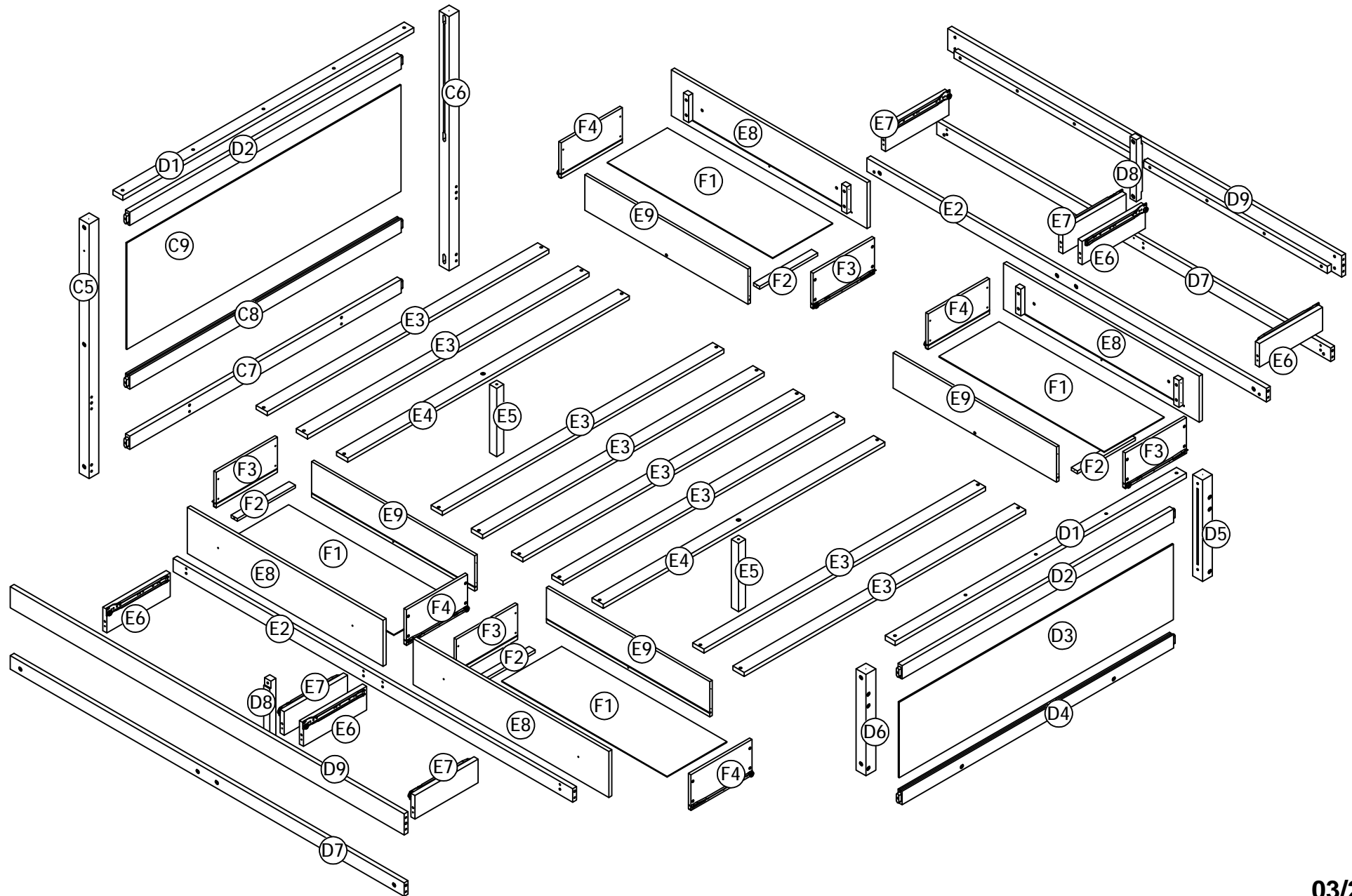
# ASSEMBLY INSTRUCTION



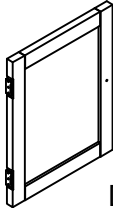
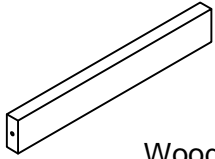
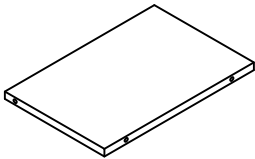
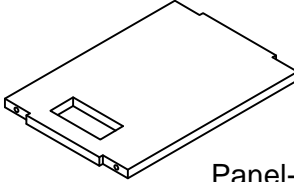
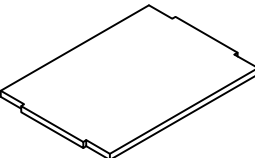
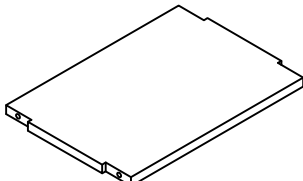
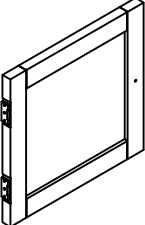
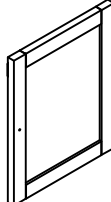
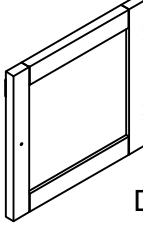
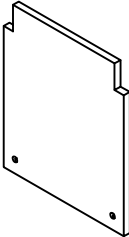
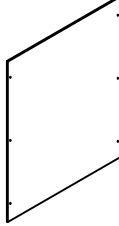
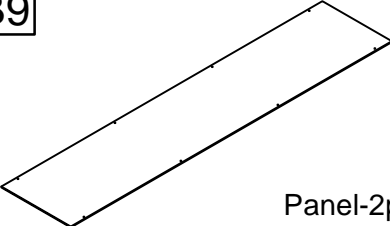
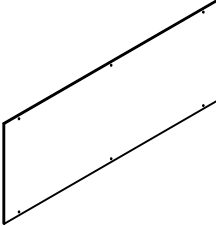
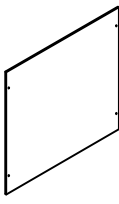

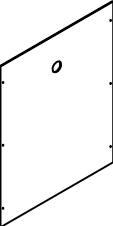
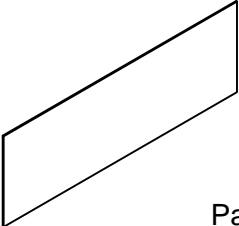
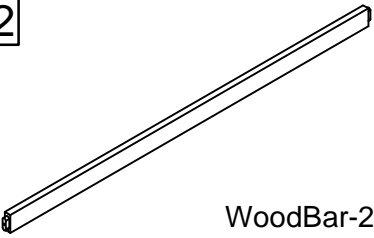
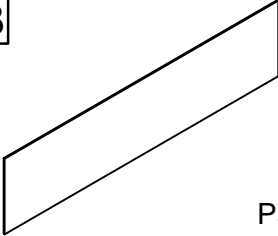
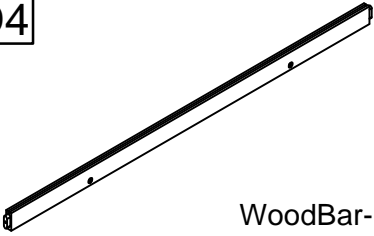
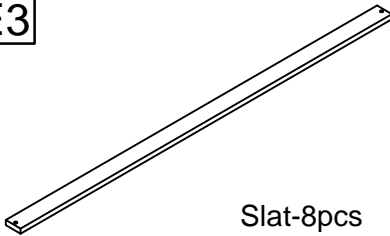
# ASSEMBLY INSTRUCTION



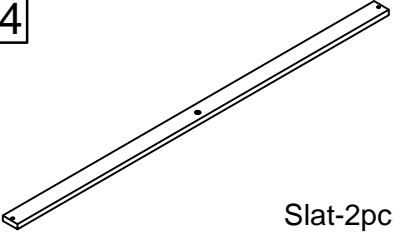

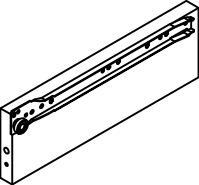
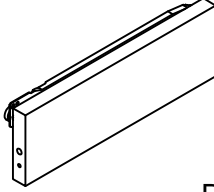
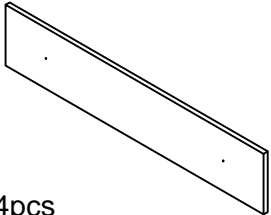
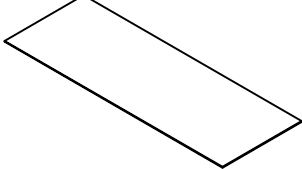
# ASSEMBLY INSTRUCTION



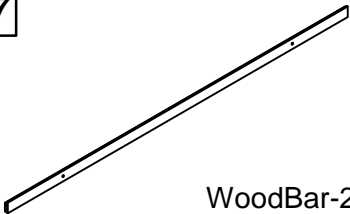


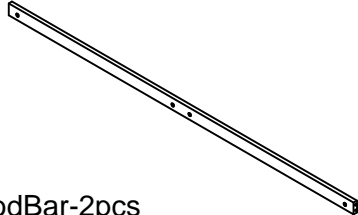
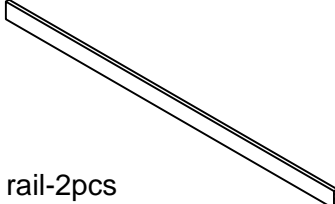
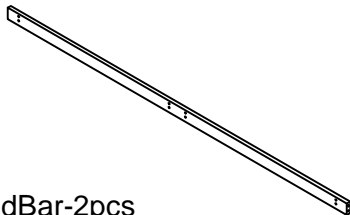
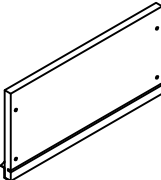
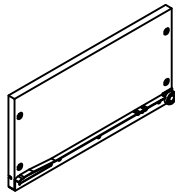
# Part List

<p><b>A3</b></p>  <p>Door-1pc</p>	<p><b>A4</b></p>  <p>WoodBar-2pcs</p>	<p><b>A5</b></p>  <p>Panel-2pcs</p>
<p><b>A6</b></p>  <p>Panel-1pc</p>	<p><b>A7</b></p>  <p>Panel-4pcs</p>	<p><b>A8</b></p>  <p>Panel-3pcs</p>
<p><b>A9</b></p>  <p>Door-1pc</p>	<p><b>B3</b></p>  <p>Door-1pc</p>	<p><b>B4</b></p>  <p>Door-1pc</p>
<p><b>B6</b></p>  <p>Panel-3pcs</p>	<p><b>B8</b></p>  <p>Panel-1pc</p>	<p><b>B9</b></p>  <p>Panel-2pcs</p>
<p><b>C1</b></p>  <p>Panel-2pcs</p>	<p><b>C2</b></p>  <p>Panel-2pcs</p>	<p><b>C3</b></p>  <p>Panel-2pcs</p>
<p><b>C4</b></p>  <p>Panel-1pc</p>	<p><b>C9</b></p>  <p>Panel-1pc</p>	<p><b>D2</b></p>  <p>WoodBar-2pcs</p>
<p><b>D3</b></p>  <p>Panel-1pc</p>	<p><b>D4</b></p>  <p>WoodBar-1pc</p>	<p><b>E3</b></p>  <p>Slat-8pcs</p>





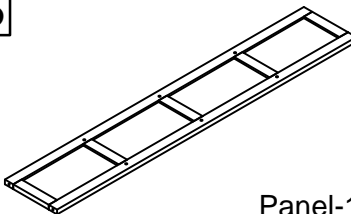
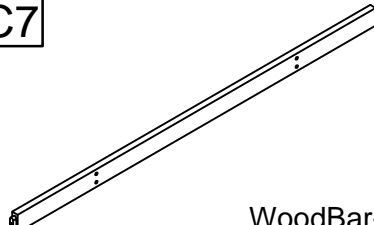
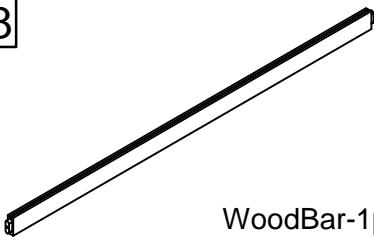
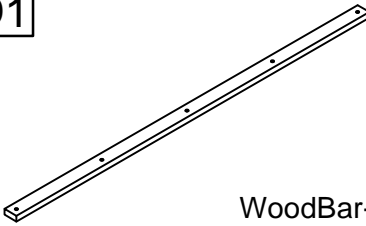
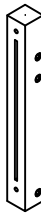


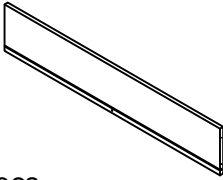
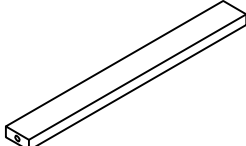
# Part List

<p><b>E4</b></p>  <p>Slat-2pcs</p>	<p><b>E5</b></p>  <p>WoodBar-2pcs</p>	<p><b>E6</b></p>  <p>Panel-4pcs</p>
<p><b>E7</b></p>  <p>Panel-4pcs</p>	<p><b>E8</b></p>  <p>Panel-4pcs</p>	<p><b>F1</b></p>  <p>Panel-4pcs</p>

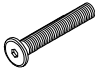
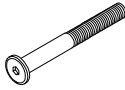
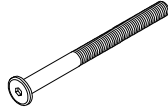
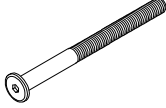
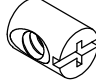
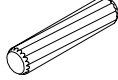
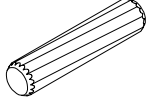
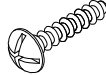

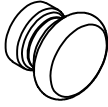
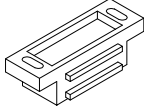
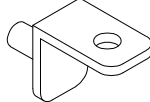
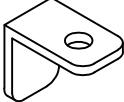
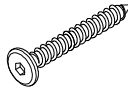






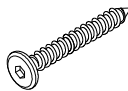
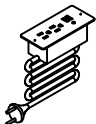
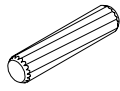
# Part List

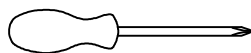
<b>B7</b>  WoodBar-2pcs	<b>C5</b>  WoodBar-1pc	<b>C6</b>  WoodBar-1pc
<b>D7</b>  WoodBar-2pcs	<b>D9</b>  Side rail-2pcs	<b>E2</b>  WoodBar-2pcs
<b>F3</b>  Panel-4pcs	<b>F4</b>  Panel-4pcs	

# Part List

<b>A1</b>  Panel-1pc	<b>A2</b>  Panel-1pc	<b>B1</b>  Panel-1pc
<b>B2</b>  Panel-1pc	<b>B5</b>  Panel-1pc	<b>C7</b>  WoodBar-1pc
<b>C8</b>  WoodBar-1pc	<b>D1</b>  WoodBar-2pcs	<b>D5</b>  WoodBar-1pc
<b>D6</b>  WoodBar-1pc	<b>D8</b>  WoodBar-1pc	<b>E9</b>  Panel-4pcs
<b>F2</b>  WoodBar-4pcs		



# Hardware Lis

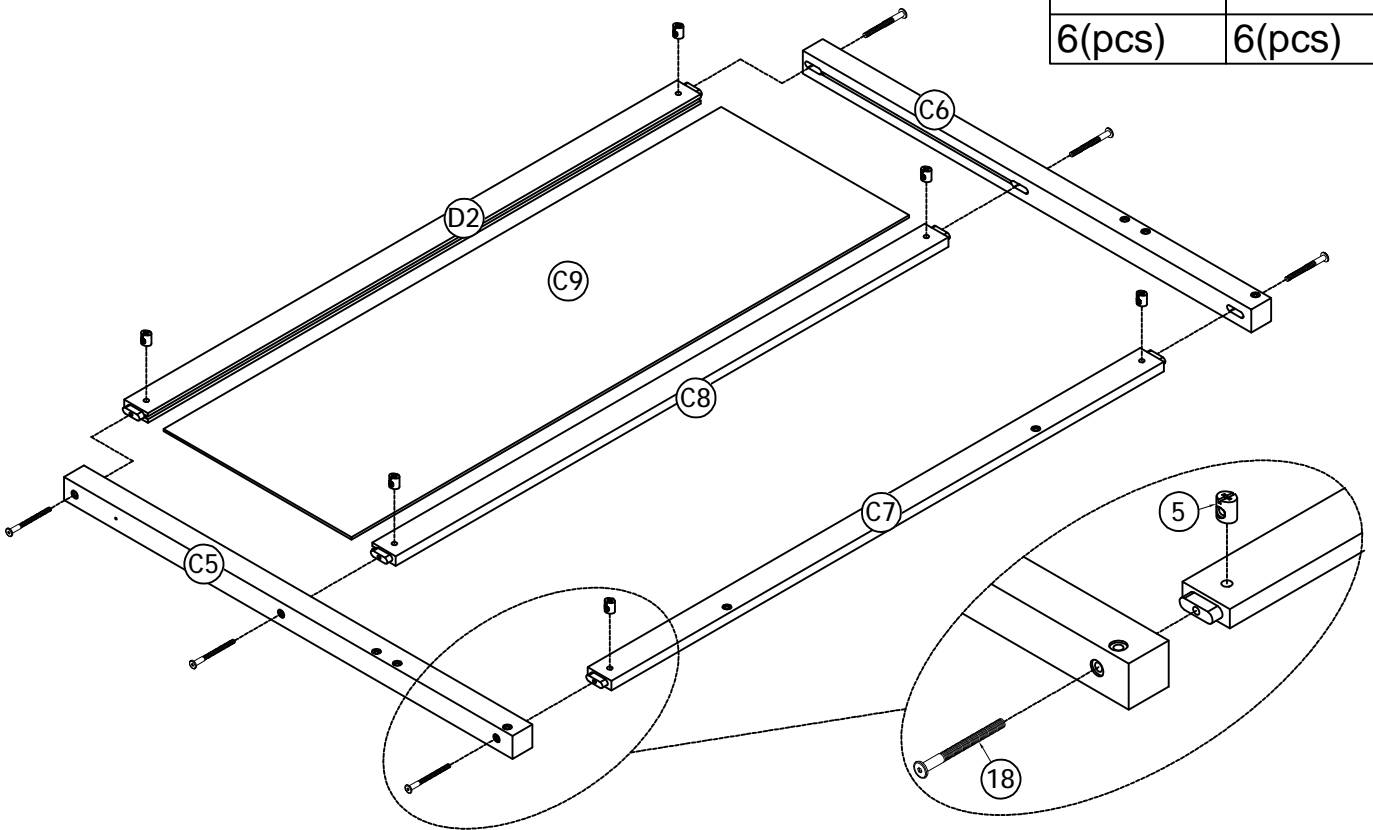
<p><b>1</b></p>  <p>Ø1/4" x 30mm Hex-Head bolts 2pcs</p>	<p><b>2</b></p>  <p>Ø1/4" x 60 mm Hex-Head bolts 26pcs</p>	<p><b>3</b></p>  <p>Ø1/4" x 70 mm Hex-Head bolts 12pcs</p>
<p><b>4</b></p>  <p>Ø1/4" x 100 mm Hex-Head bolts 12pcs</p>	<p><b>5</b></p>  <p>Ø1/4" x 13 mm Horizontal-Hole bolts 60pcs</p>	<p><b>6</b></p>  <p>Ø8 x 30 mm Wood dowel 20pcs</p>
<p><b>7</b></p>  <p>Ø10 x 40 mm Wood dowel 16pcs</p>	<p><b>8</b></p>  <p>M4 x 25 mm Wood Screws 12pcs</p>	<p><b>9</b></p>  <p>Allen Key 1pc</p>
<p><b>10</b></p>  <p>Handle Wood 12pcs</p>	<p><b>11</b></p>  <p>Magnet Door Catcher 4pcs</p>	<p><b>12</b></p>  <p>L-Bracket 16pcs</p>
<p><b>13</b></p>  <p>L-Bracket 2*16*26 3pcs</p>	<p><b>14</b></p>  <p>Screws 1/4" x 40mm 8pcs</p>	<p><b>15</b></p>  <p>L-Bracket 1*12*25 4pcs</p>
<p><b>16</b></p>  <p>M4 x 15mm Wood Screws 68pcs</p>	<p><b>17</b></p>  <p>M3.5 x 12mm Wood Screws 32pcs</p>	<p><b>18</b></p>  <p>Ø1/4" x 80mm Hex-Head bolts 10pcs</p>
<p><b>19</b></p>  <p>M3 x 15mm Wood Screws 24pcs</p>	<p><b>20</b></p>  <p>M4 x 30mm Wood Screws 66pcs</p>	<p><b>21</b></p>  <p>Screws 1/4" x 50mm 20pcs</p>
<p><b>22</b></p>  <p>USB 1pc</p>	<p><b>23</b></p>  <p>Ø6 x 30 mm Wood dowel 4pcs</p>	




**Assembly Tools Required  
(Not Included)**

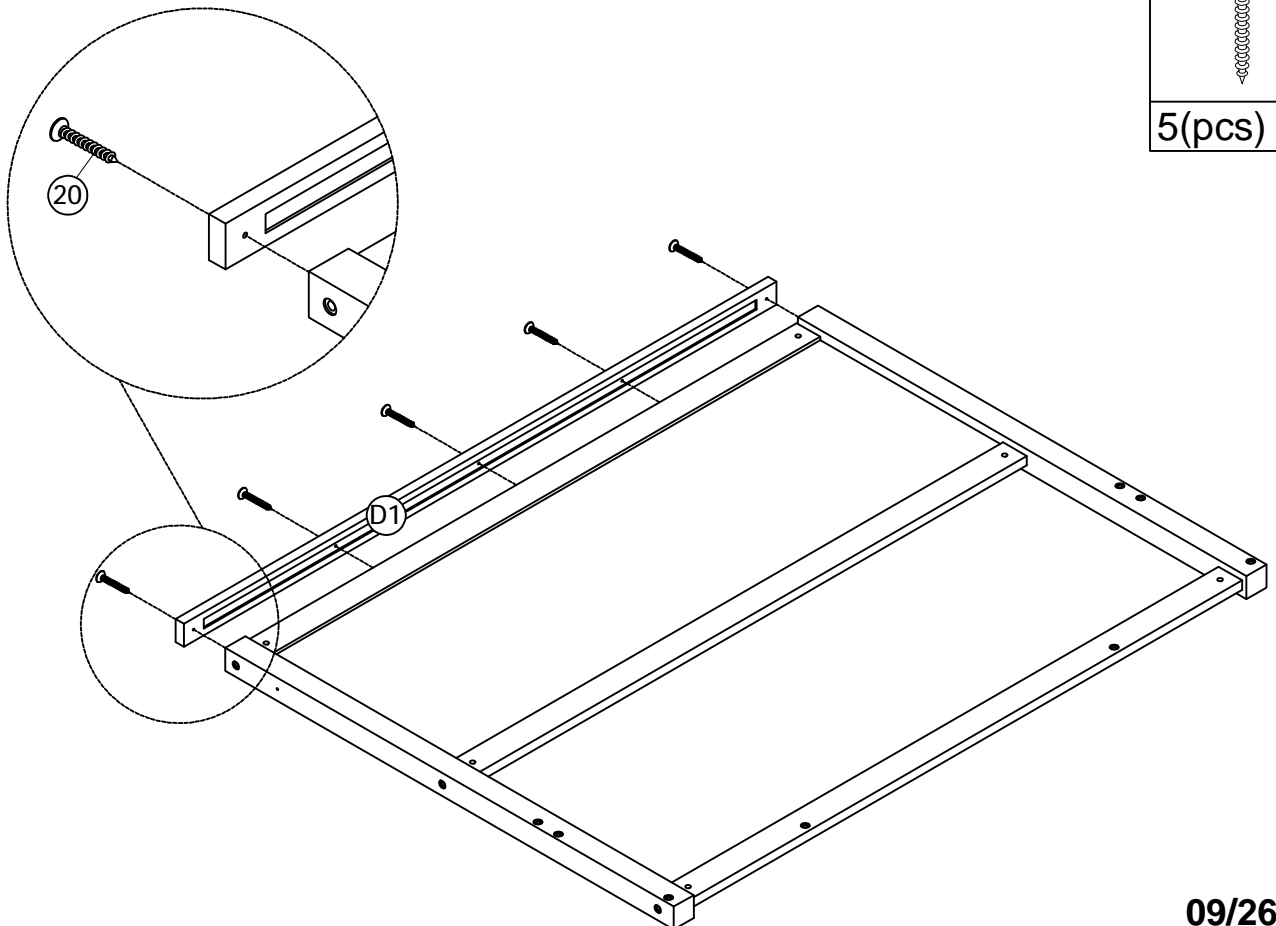
**STEP1:** Following below illustration.

18	5
	
6(pcs)	6(pcs)





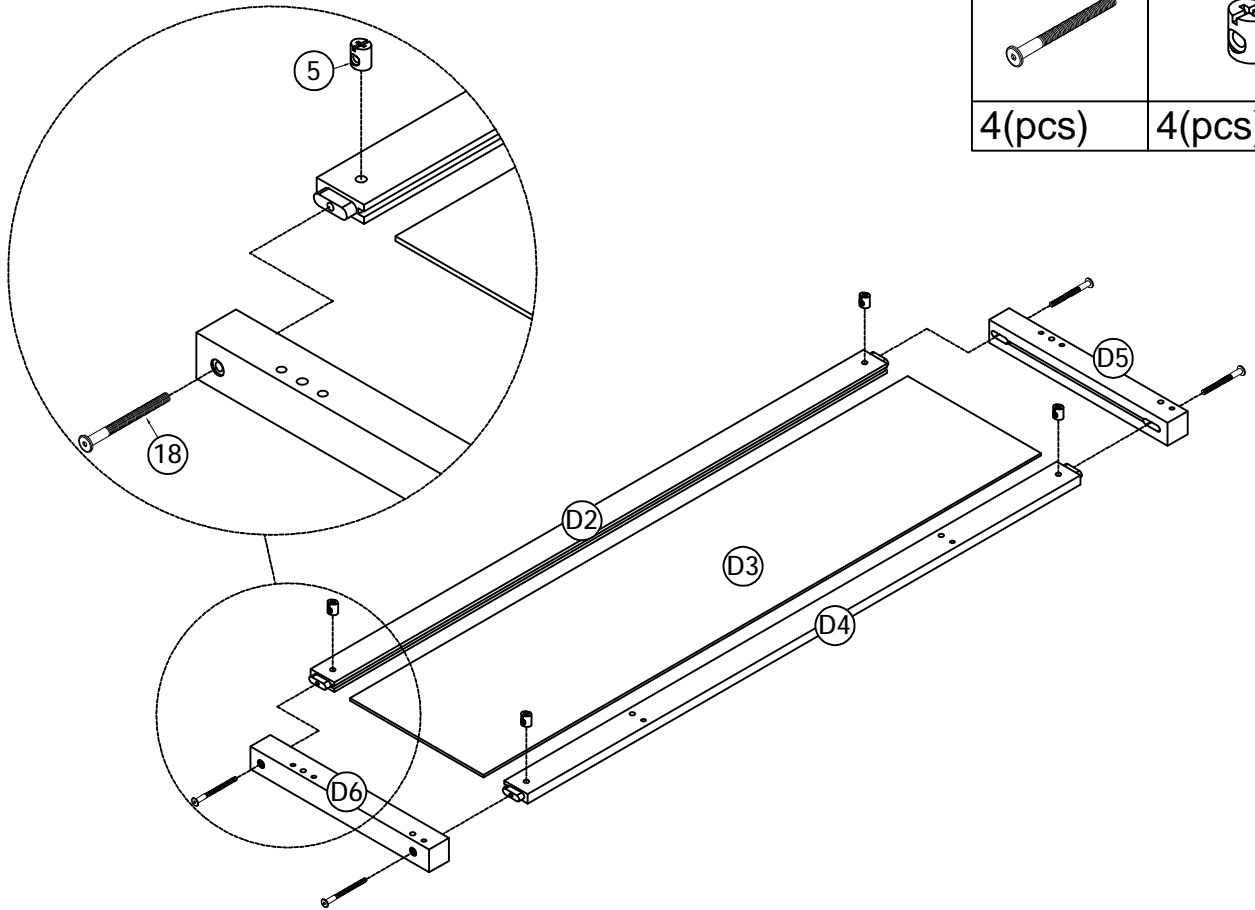
**STEP2:** Following below illustration.

20

5(pcs)




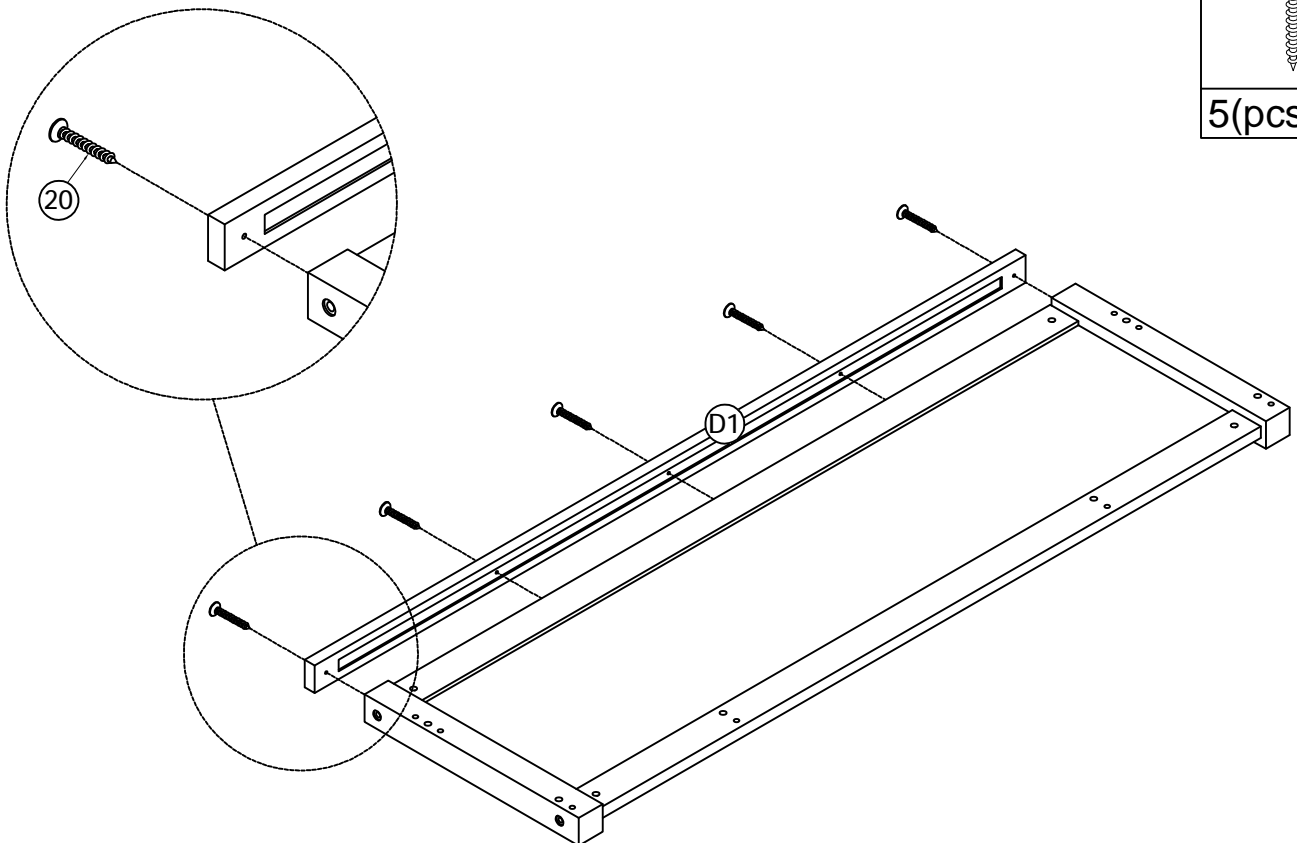
**STEP3:** Following below illustration.

18	5
	
4(pcs)	4(pcs)

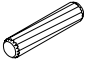
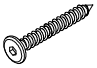


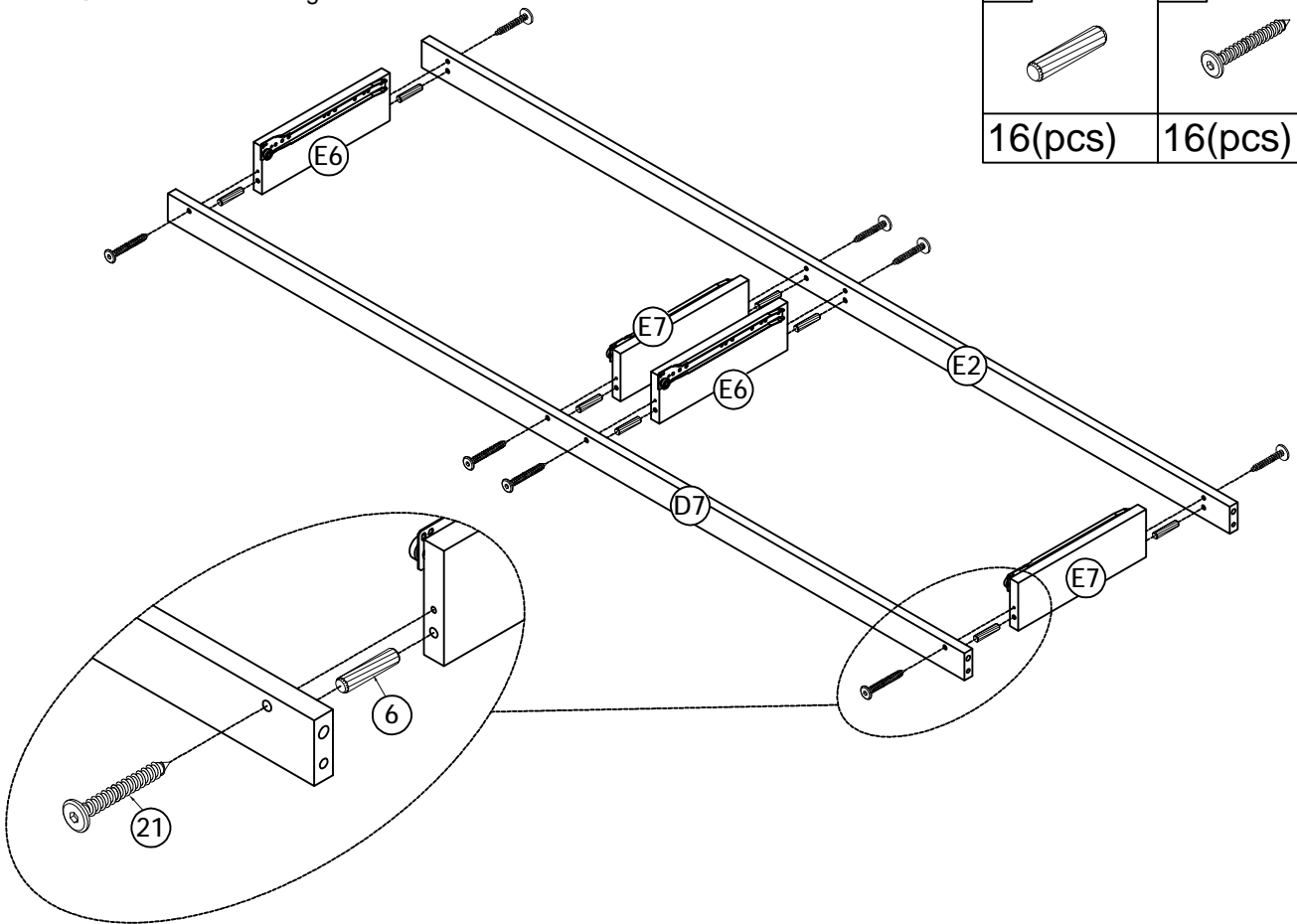
**STEP4:** Following below illustration.

20	
5(pcs)	




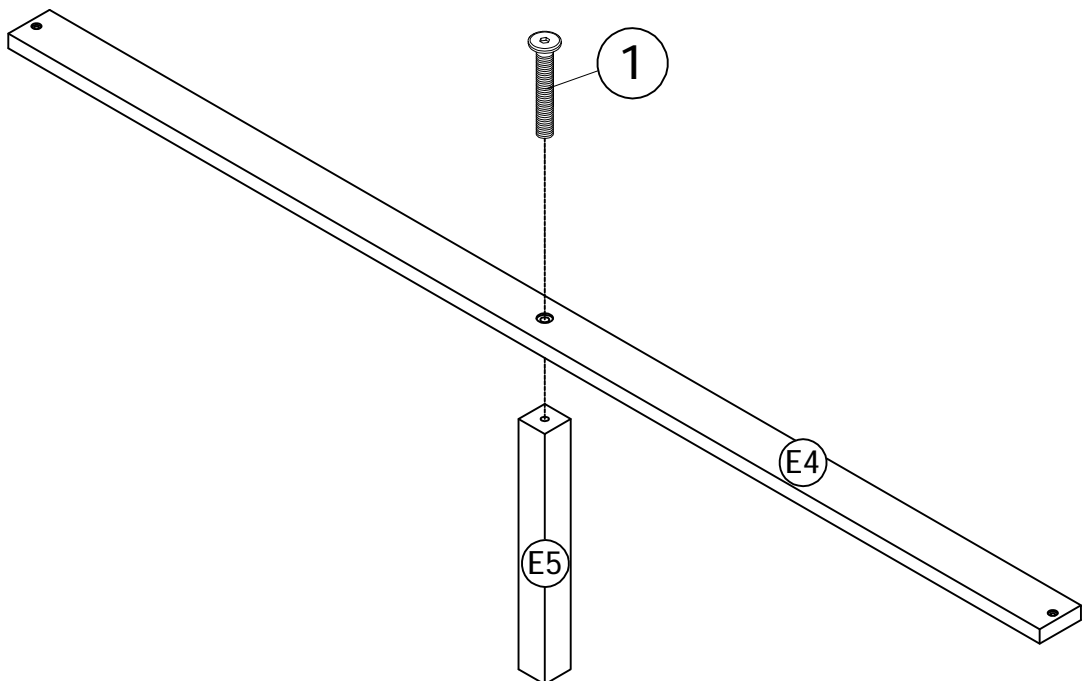
**STEP5 x 2:** Following below illustration.

6	21
	
16(pcs)	16(pcs)

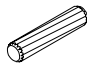





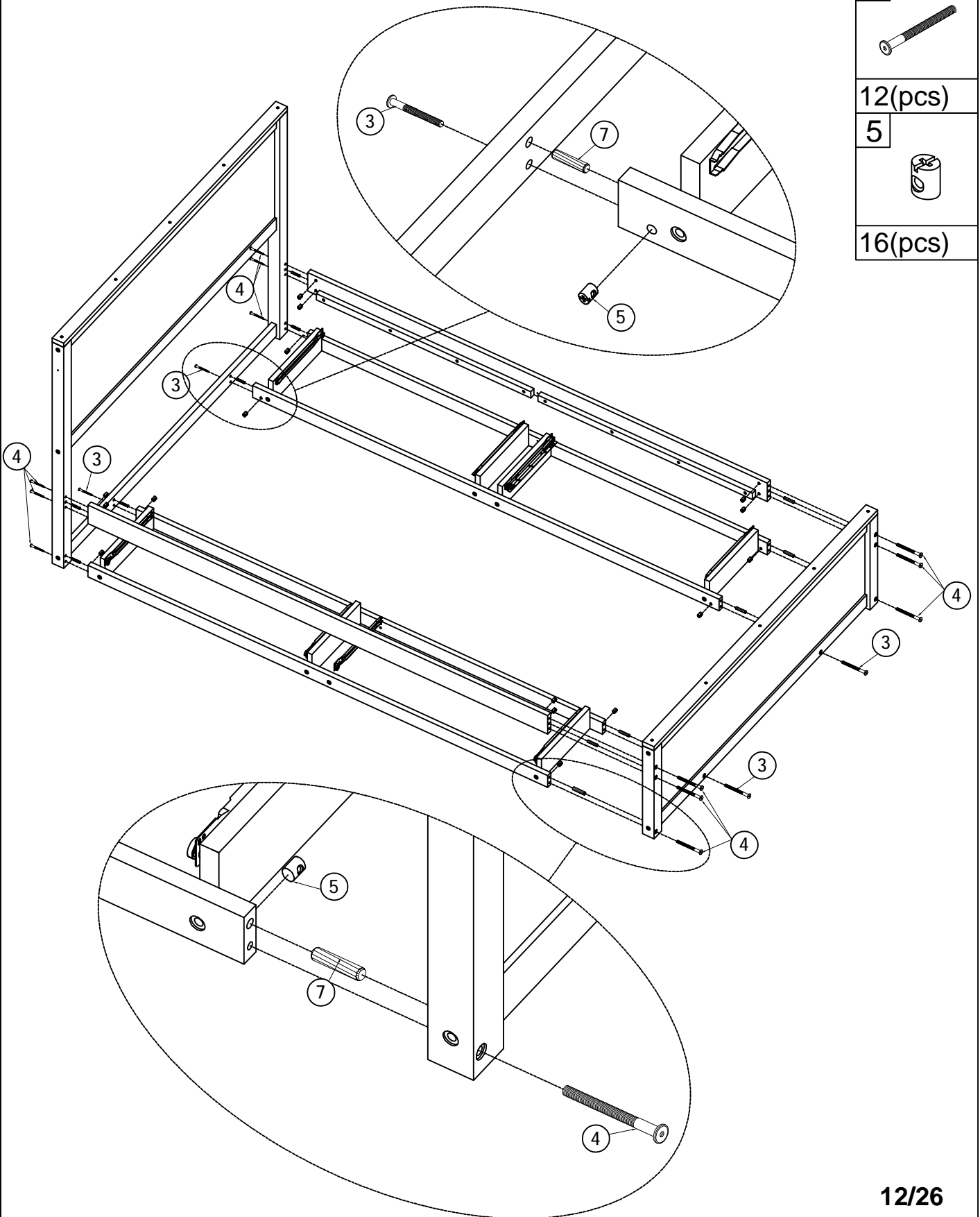
**STEP6 x 2:** Following below illustration.

1

2(pcs)



**STEP 7:** Following below illustration.

7	3
	
12(pcs)	4(pcs)
	4
	
	12(pcs)
5	
	16(pcs)

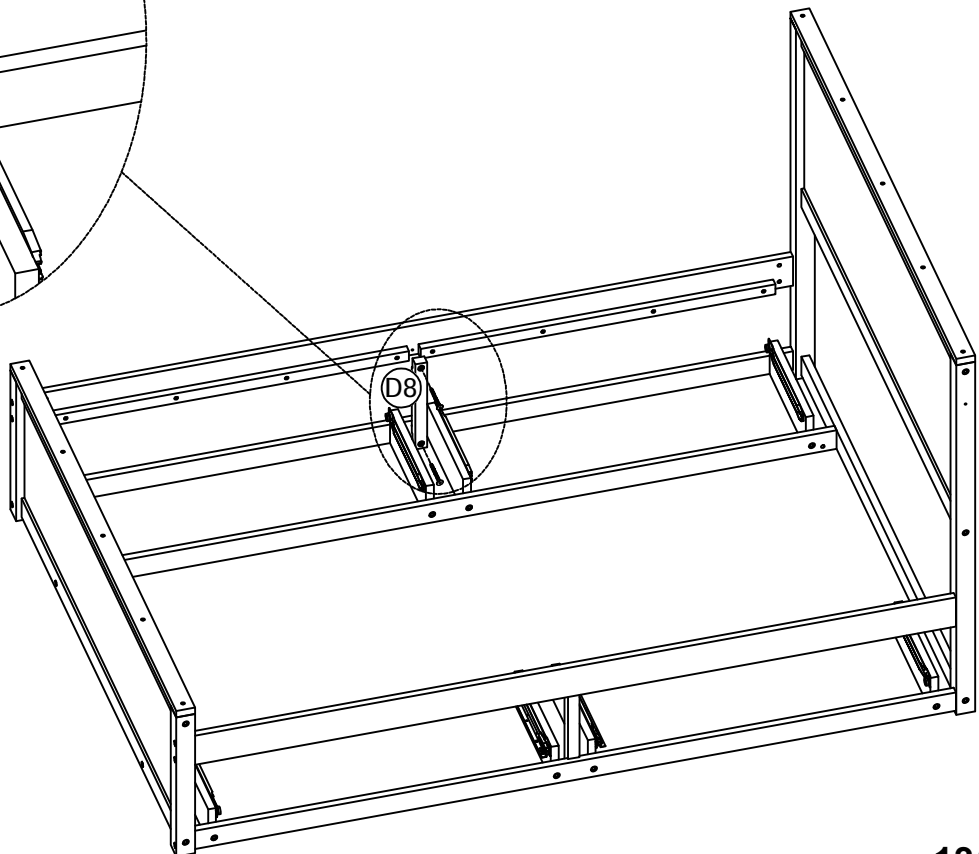
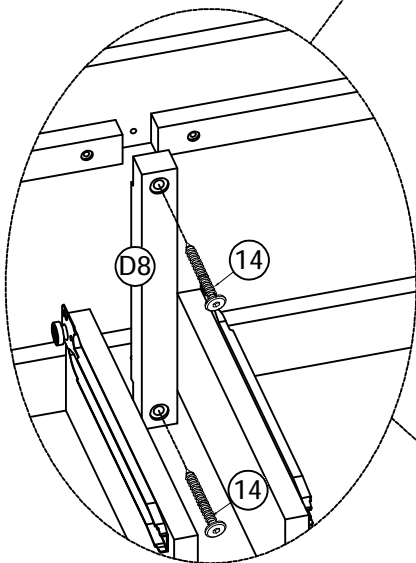
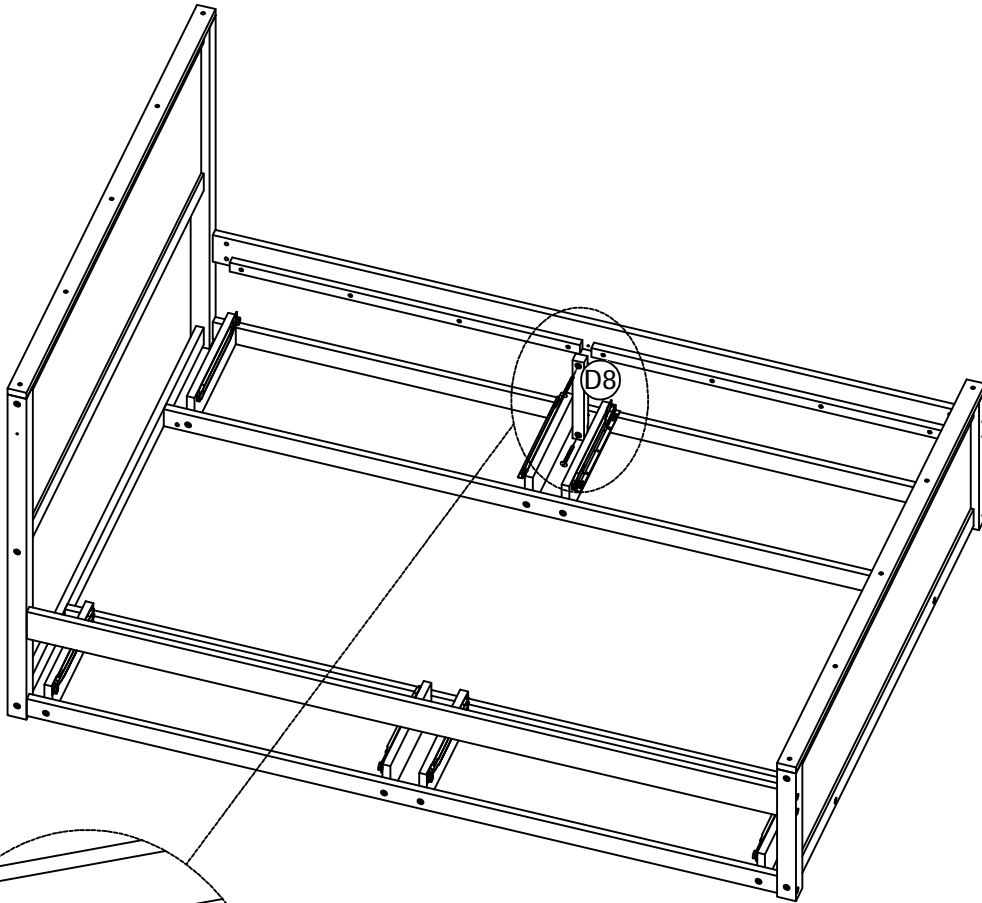


**STEP8:** Following below illustration.

14



4(pcs)

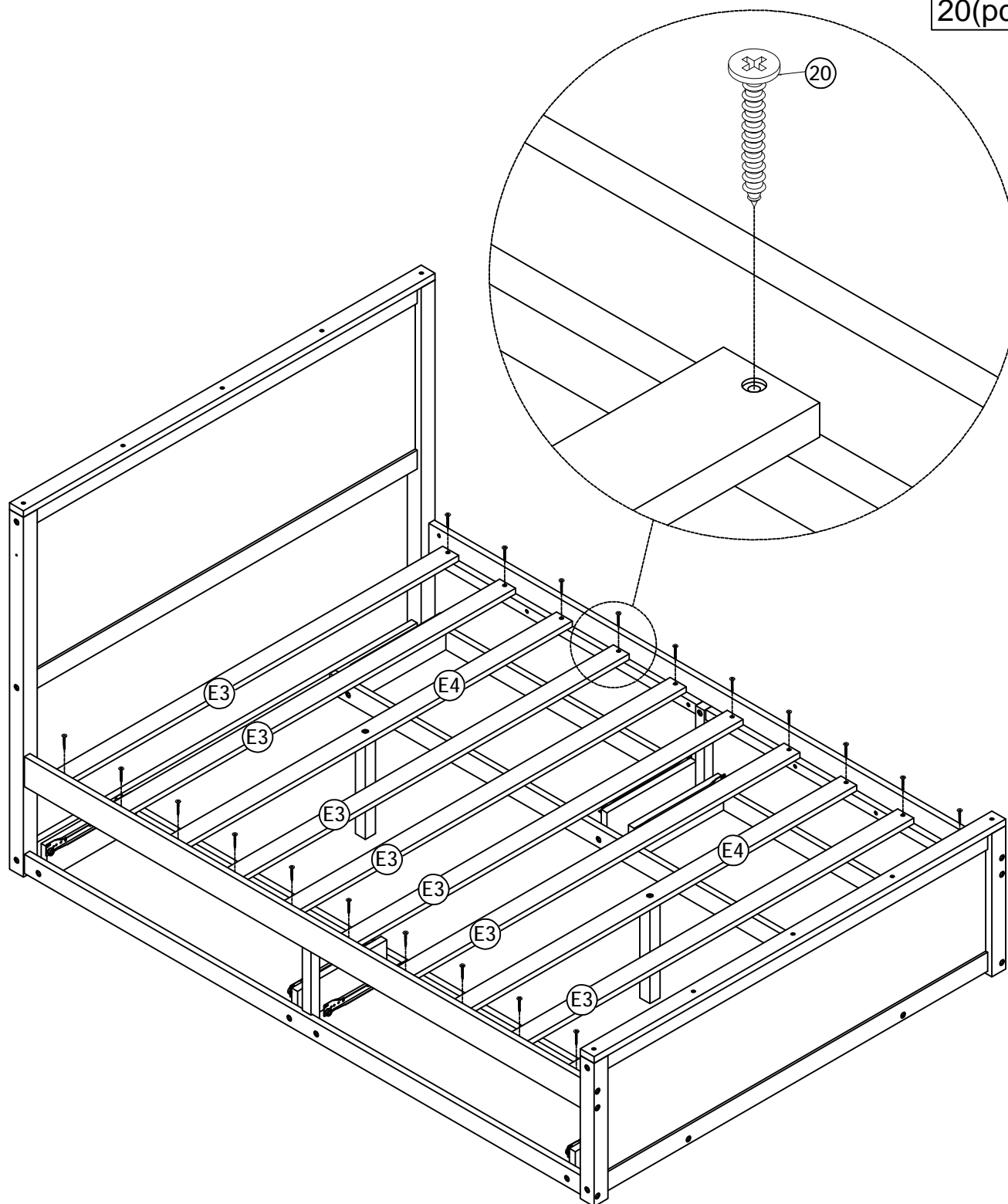


**STEP9:** Following below illustration.


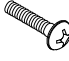
20

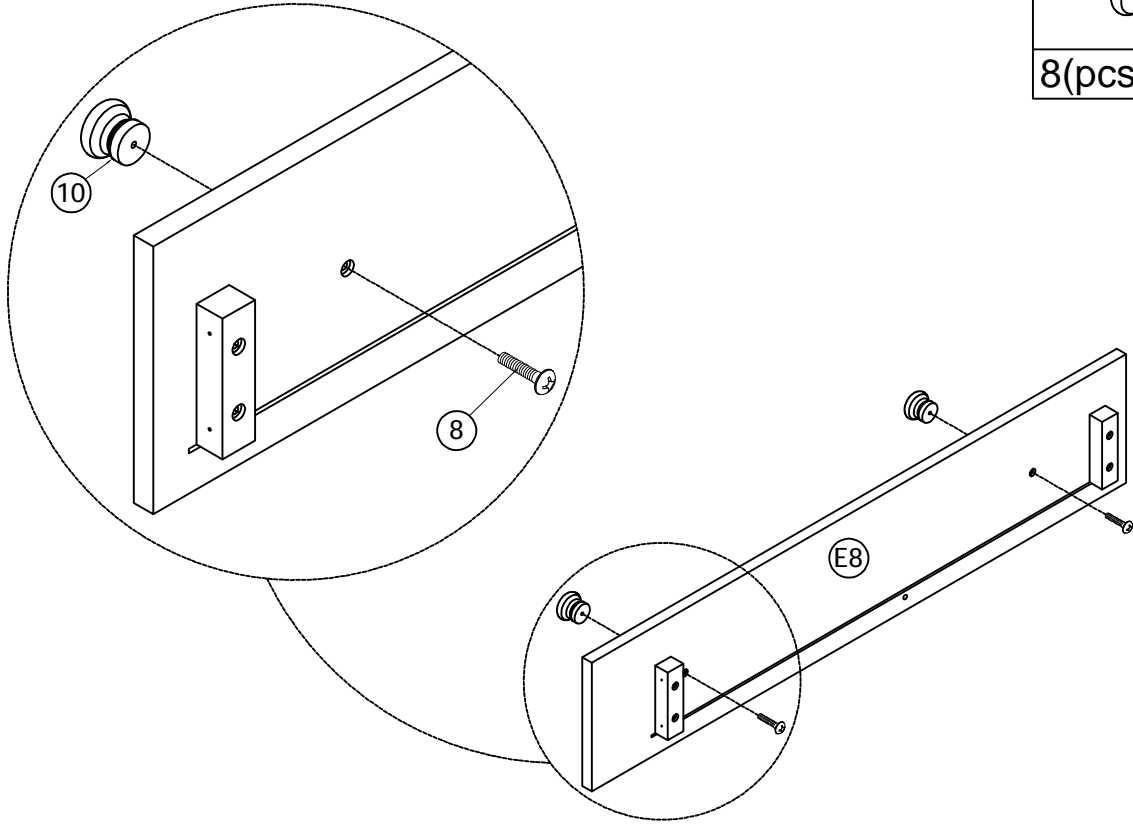


20(pcs)




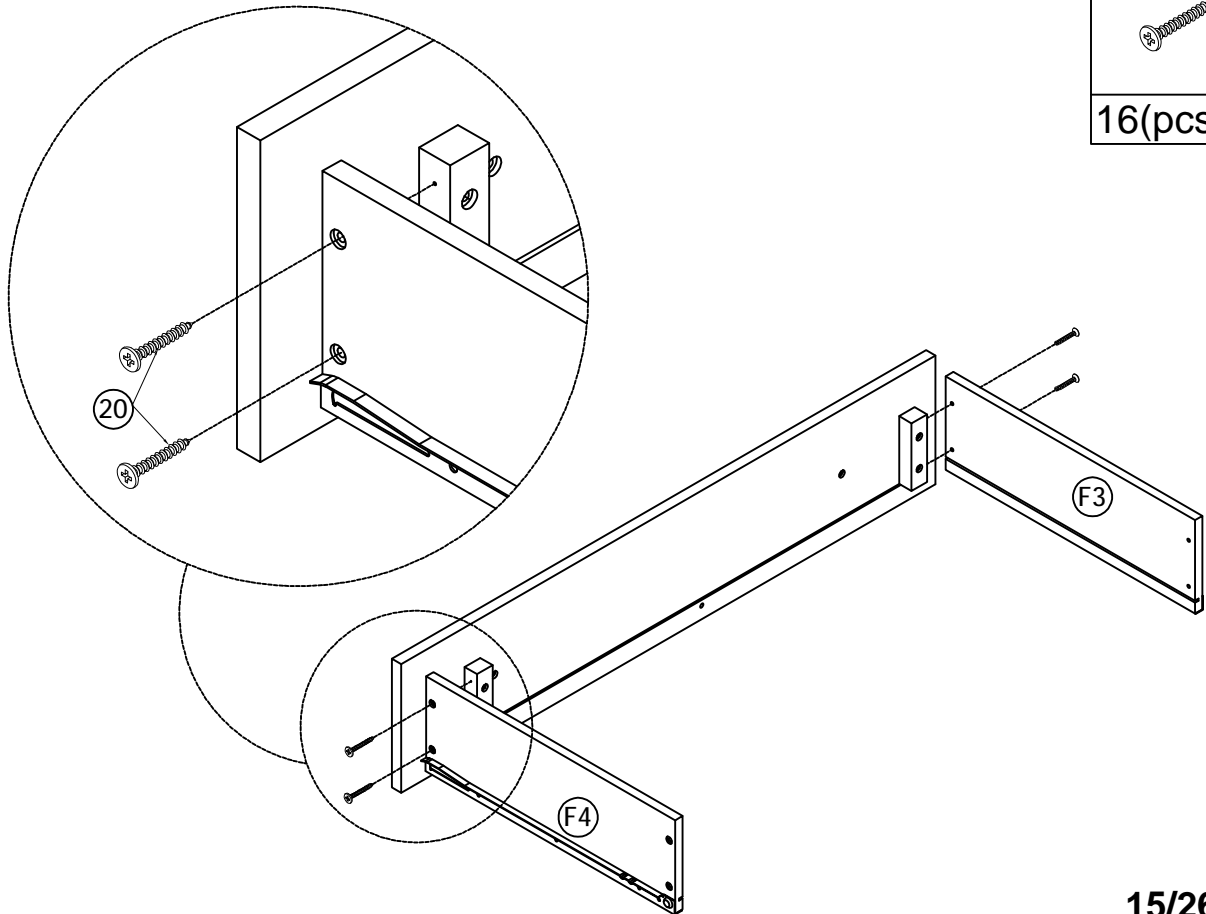
**STEP10 x 4:** Following below illustration.

10	8
	
8(pcs)	8(pcs)

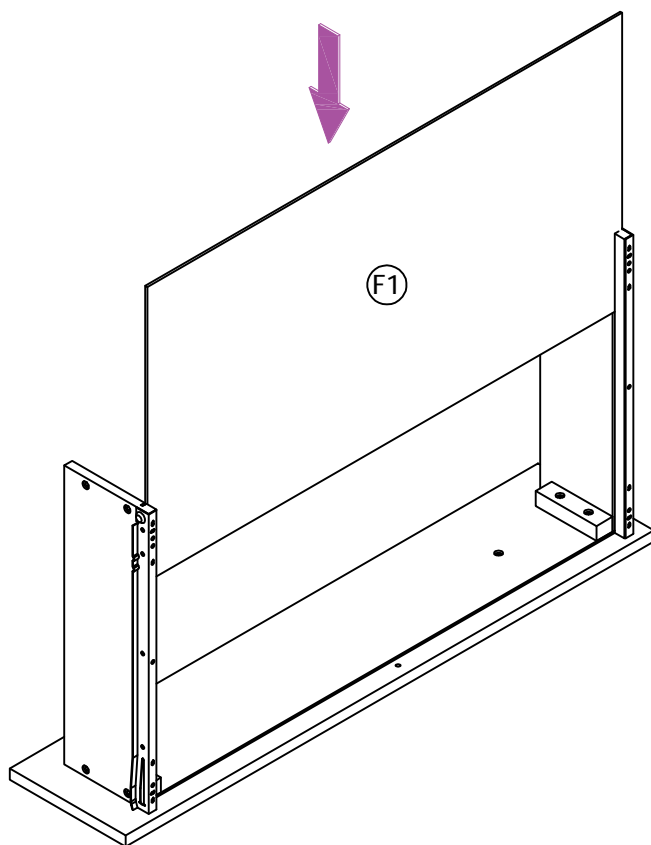


**STEP11 x 4:** Following below illustration.

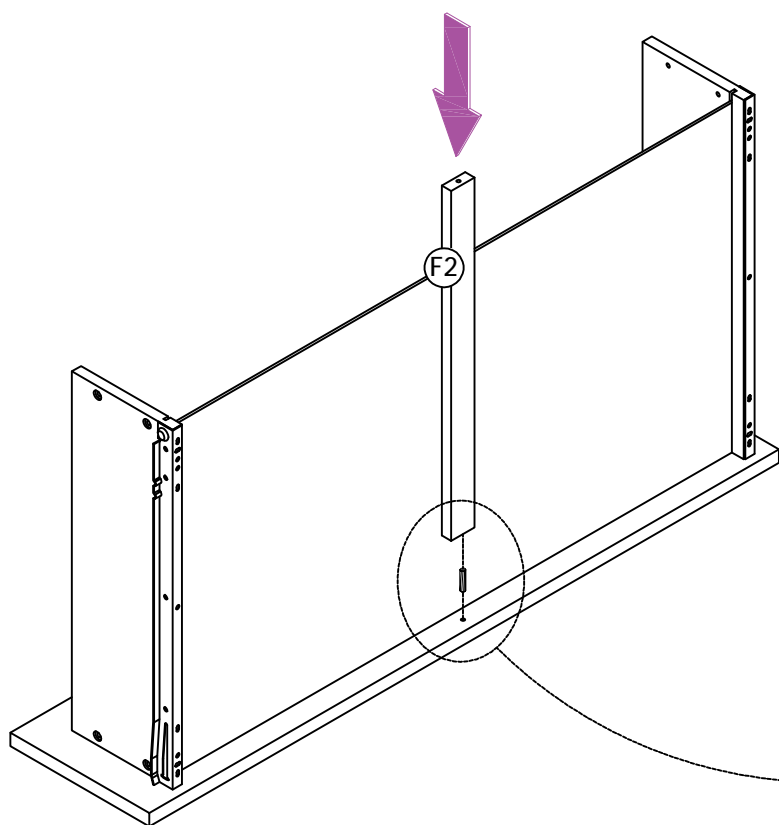
20

16(pcs)



STEP12 x 4: Following below illustration.



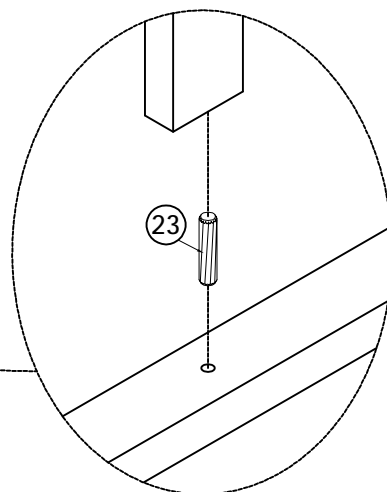
STEP13 x 4: Following below illustration.





23

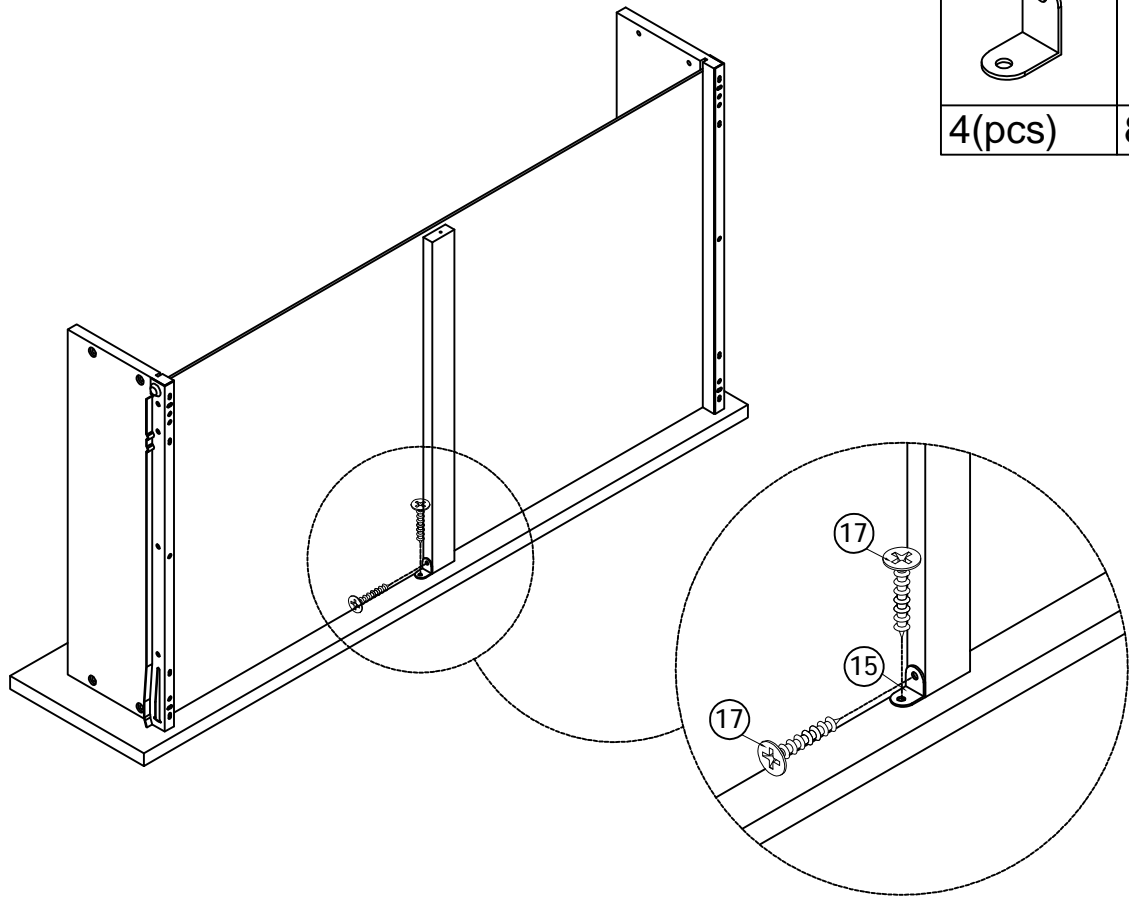


4(pcs)




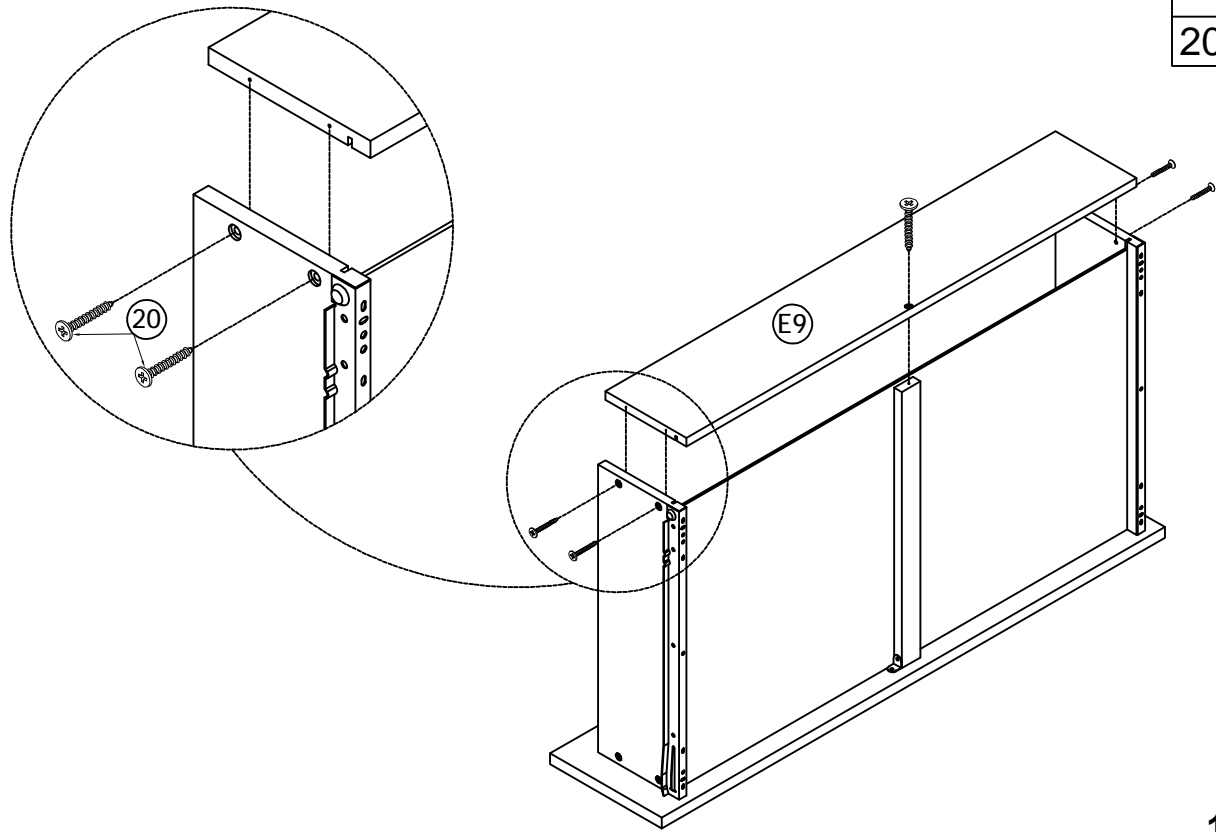
**STEP14 x 4:** Following below illustration.

15		17	
4(pcs)		8(pcs)	

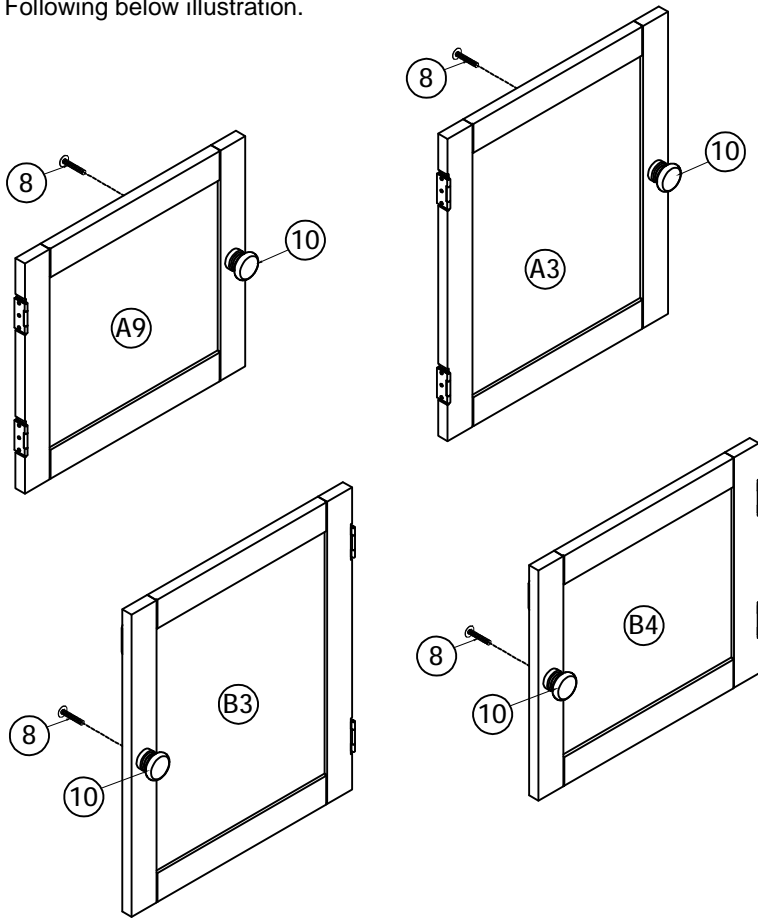


**STEP15 x 4:** Following below illustration.

20	
20(pcs)	

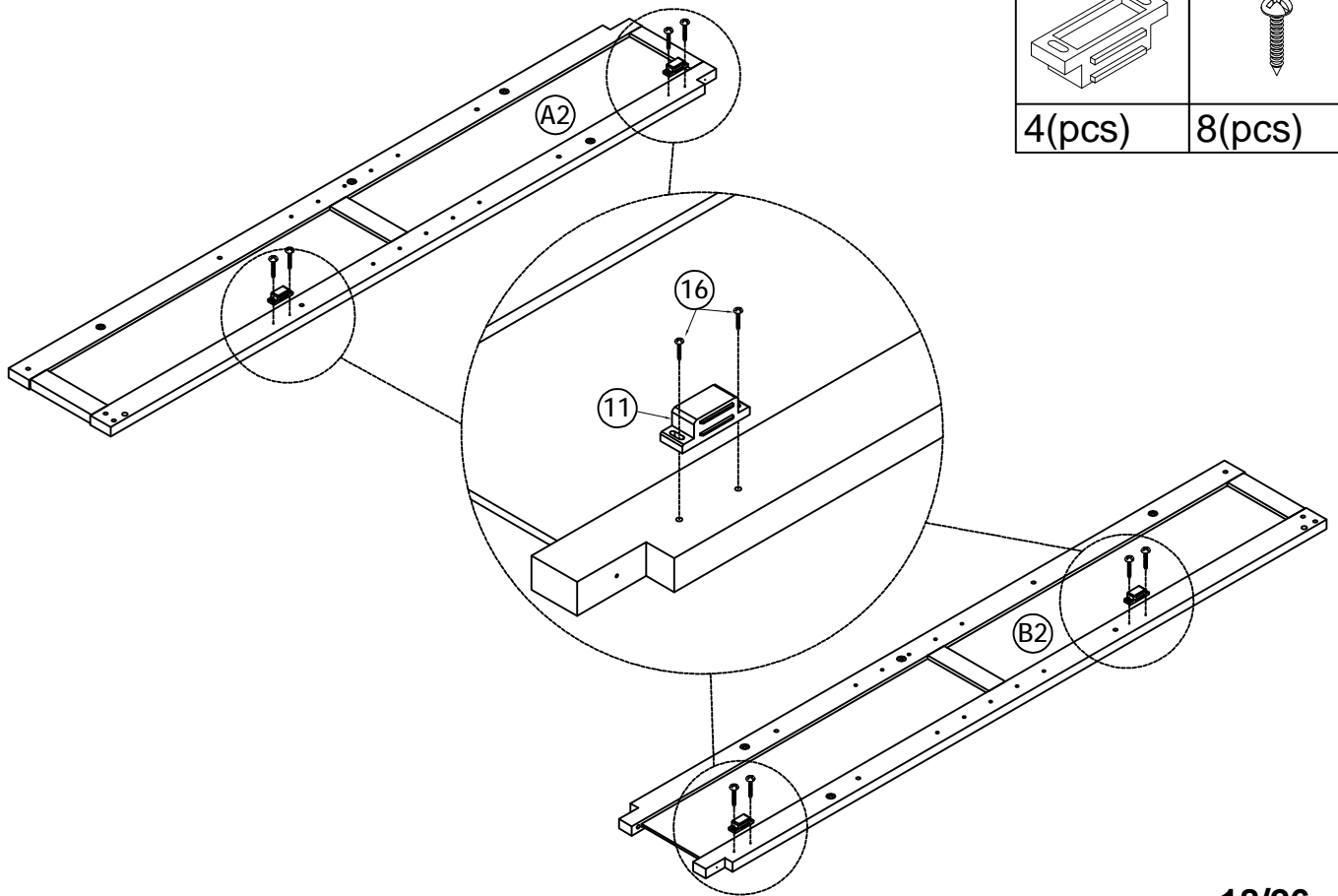


**STEP16:** Following below illustration.



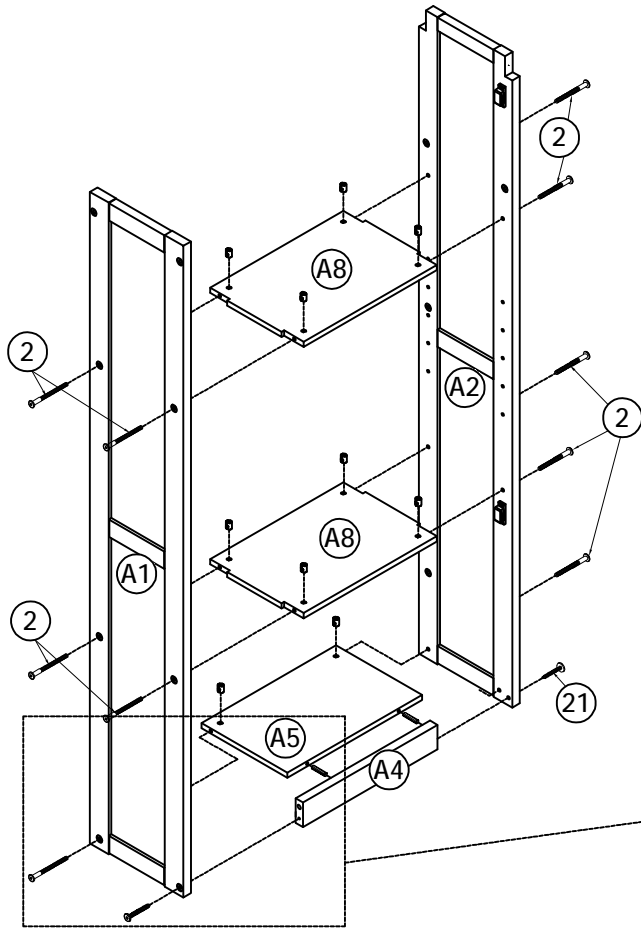
10	8
4(pcs)	4(pcs)

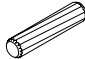



**STEP17:** Following below illustration.

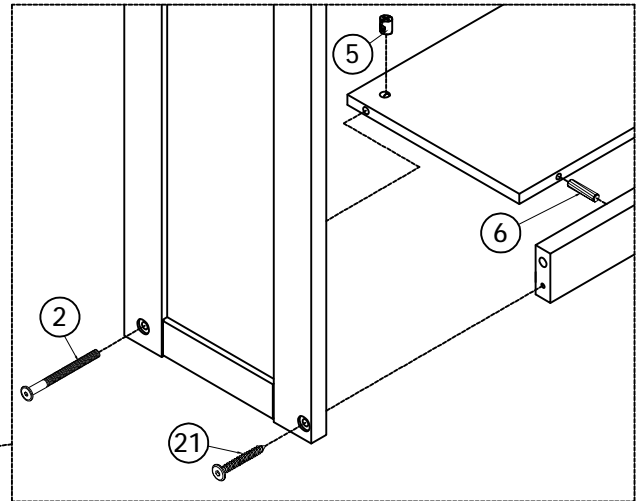


11	16
4(pcs)	8(pcs)

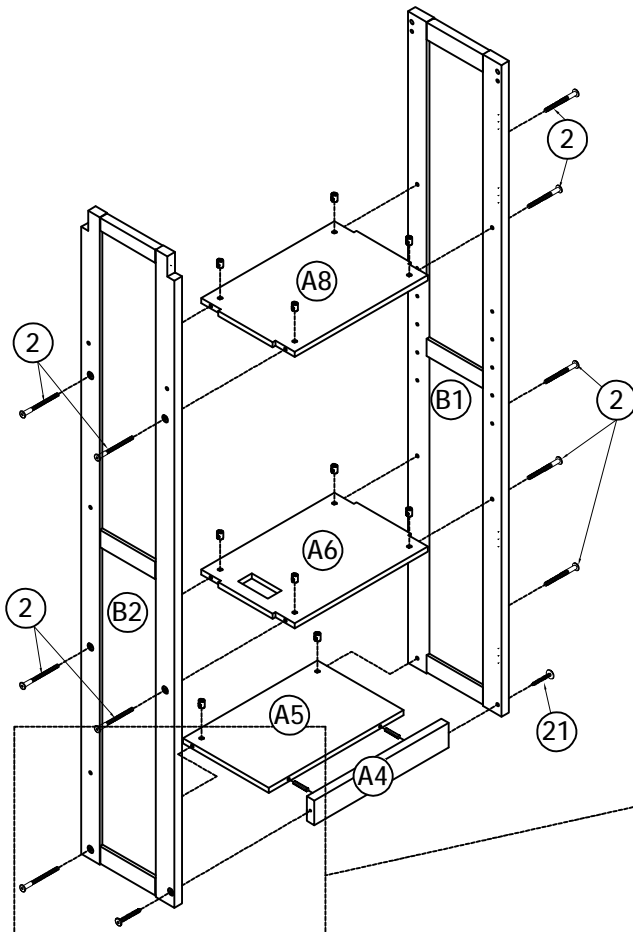
# STEP18: Following below illustration.

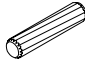
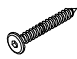




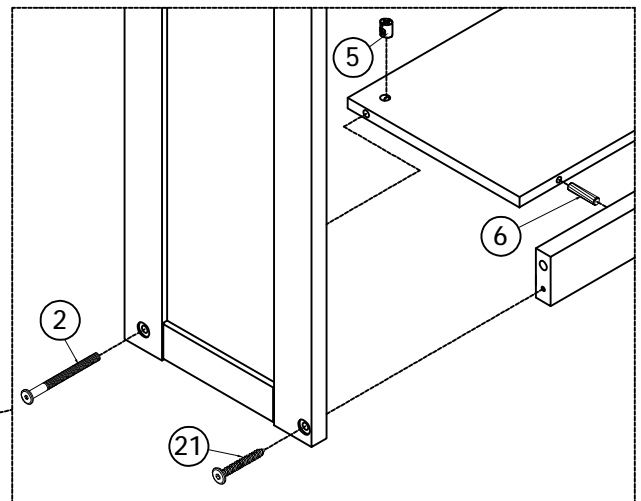
6	21	2
		
2(pcs)	2(pcs)	10(pcs)
		5
		
		10(pcs)



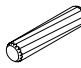


# STEP19: Following below illustration.

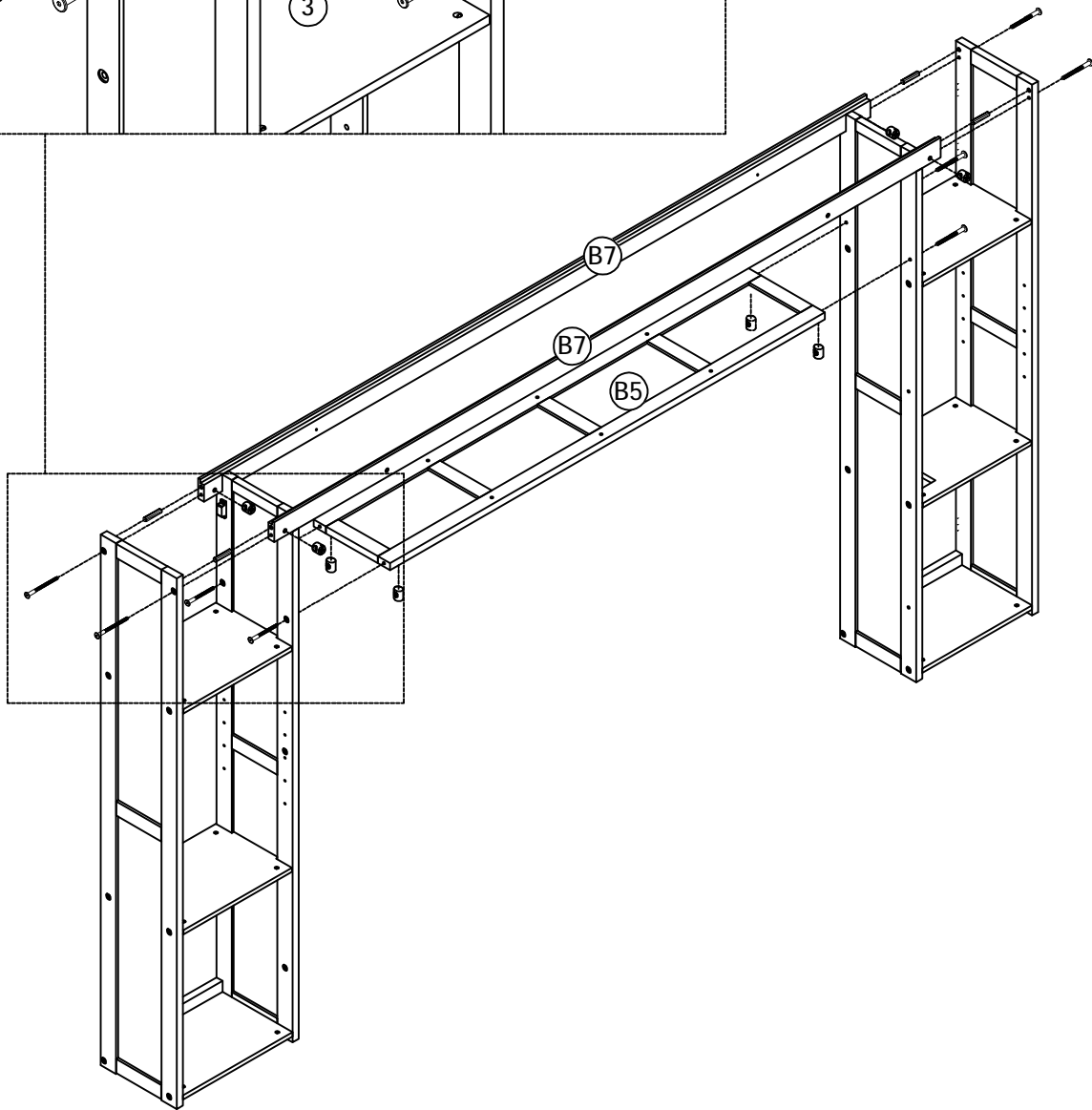
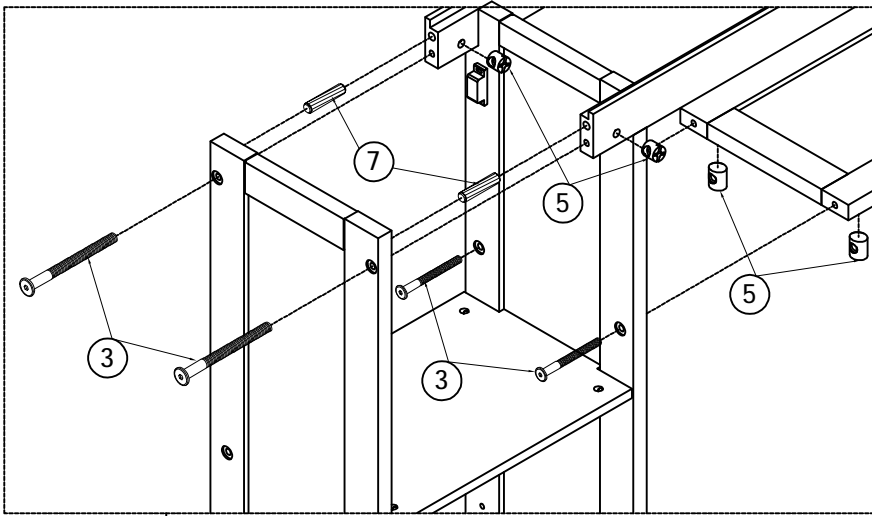


6	21	2
		
2(pcs)	2(pcs)	10(pcs)
		5
		
		10(pcs)


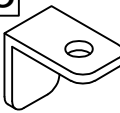


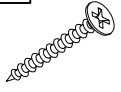


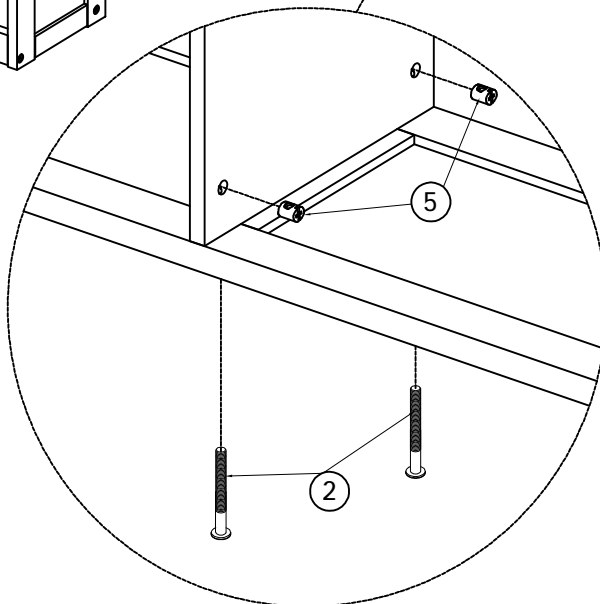
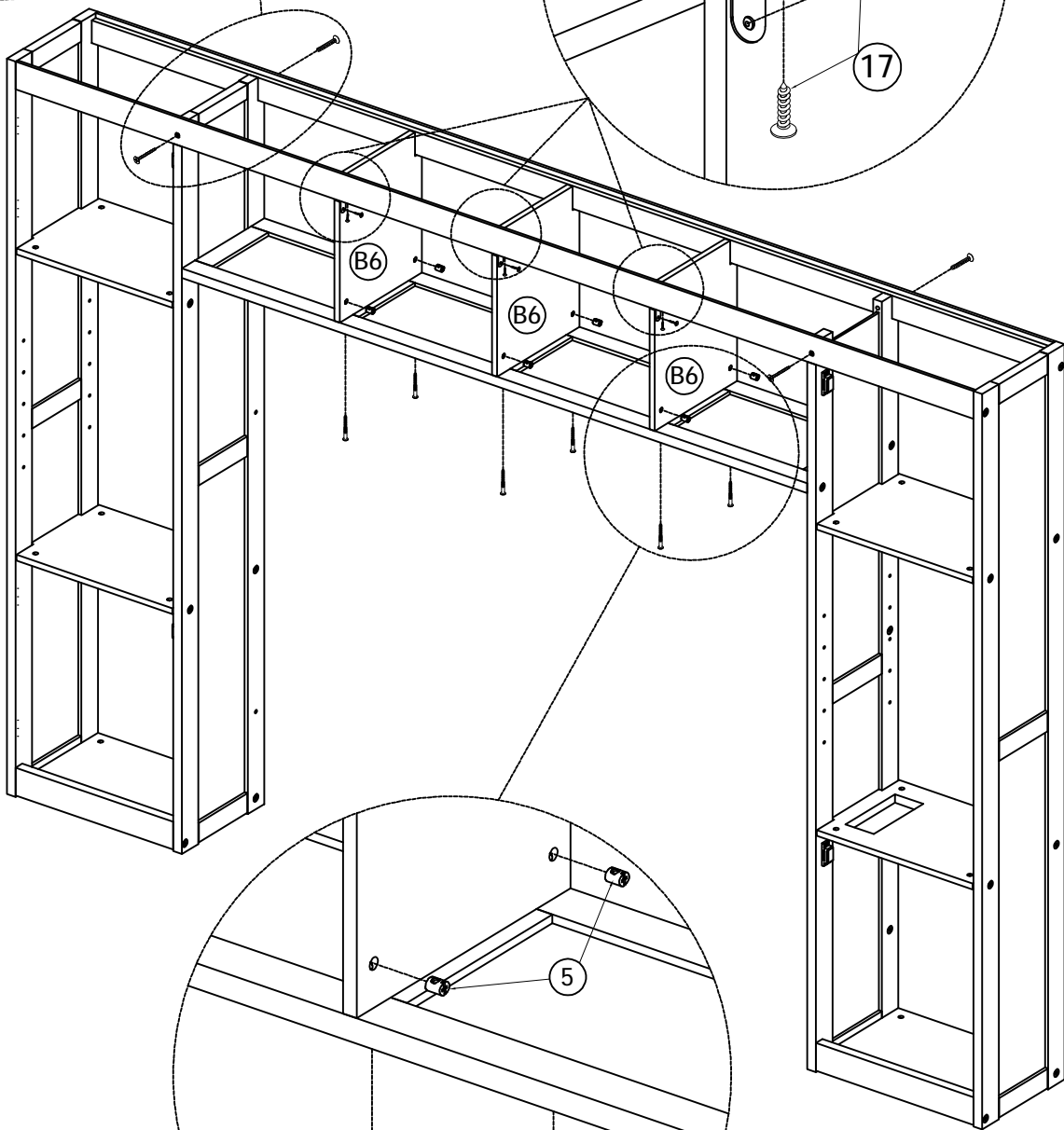
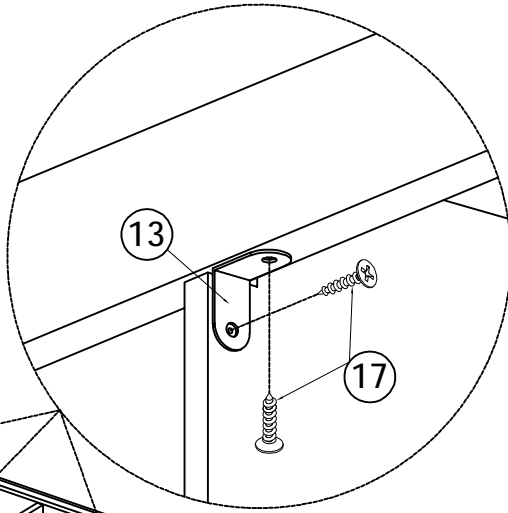
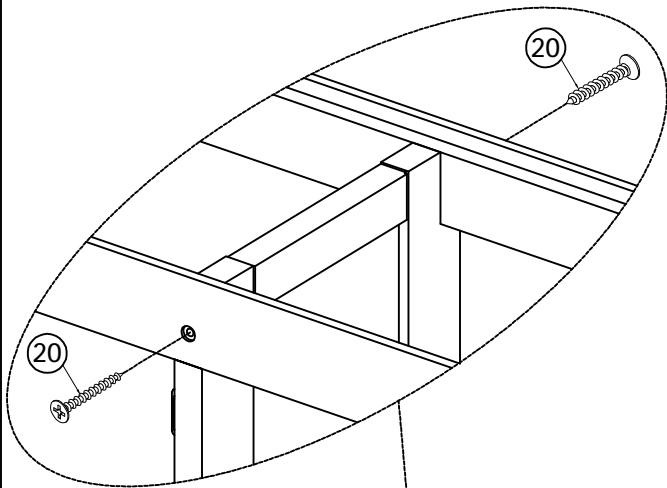
**STEP20:** Following below illustration.

7	3	5
		
4(pcs)	8(pcs)	8(pcs)

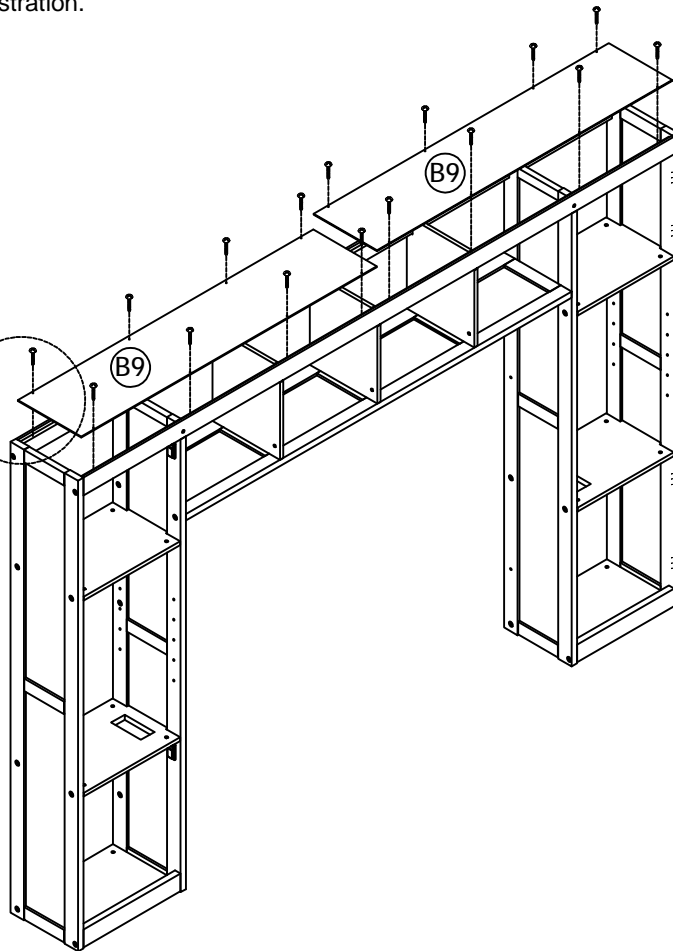
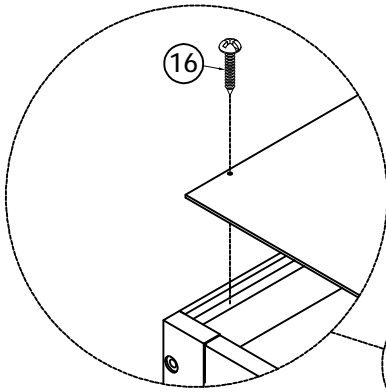


**STEP21:** Following below illustration.

17		13		2		5	
6(pcs)		3(pcs)		6(pcs)		6(pcs)	
						20	
						4(pcs)	



**STEP22:** Following below illustration.

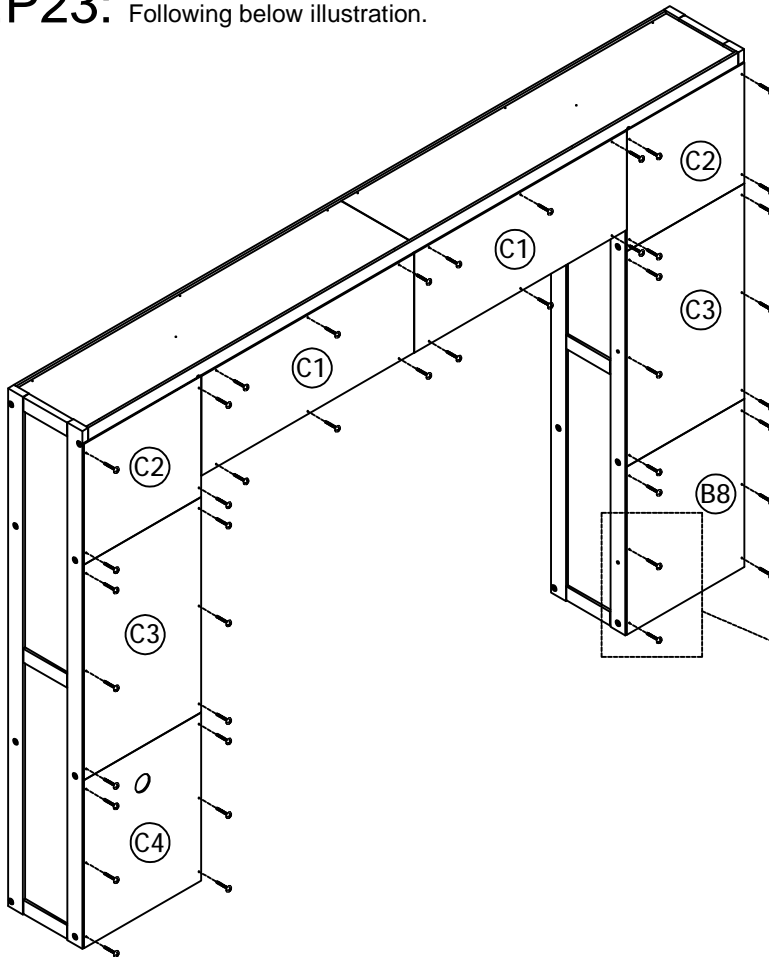


16



16(pcs)

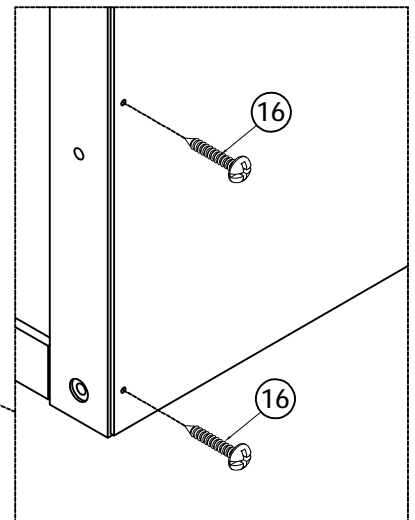
**STEP23:** Following below illustration.




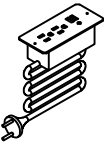
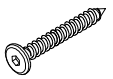
16

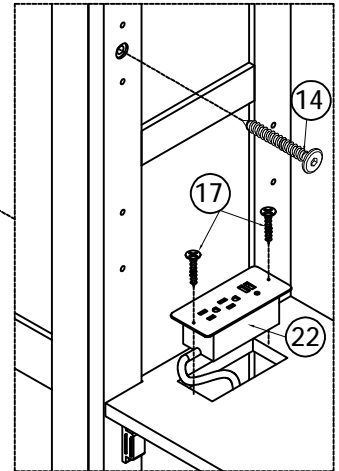
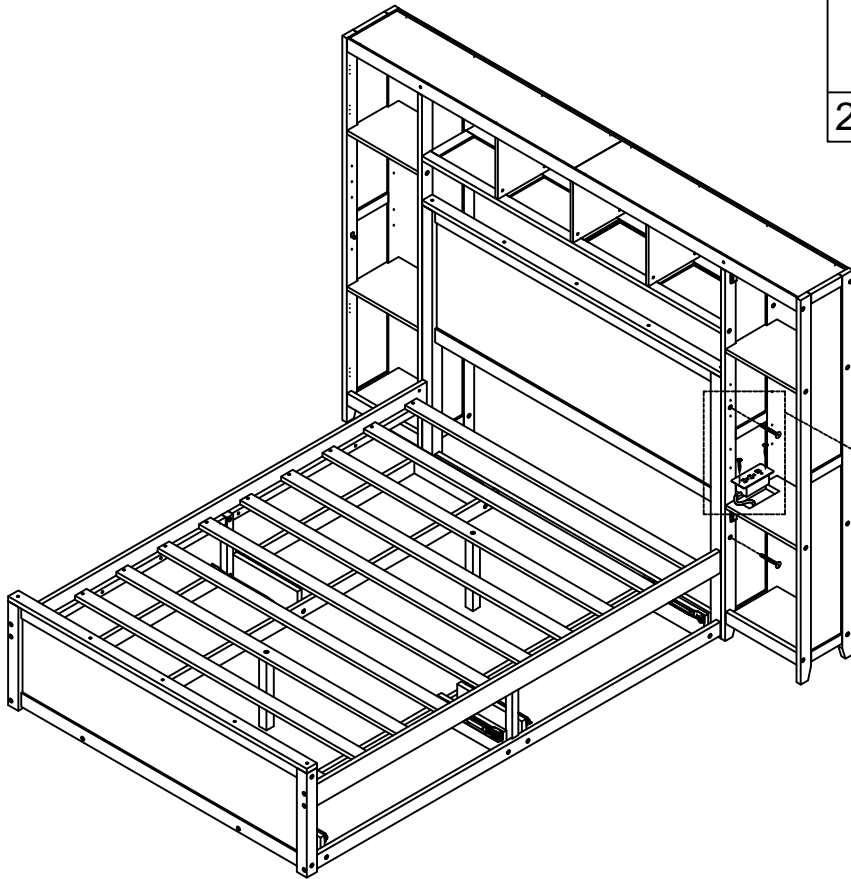


44(pcs)

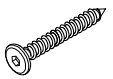


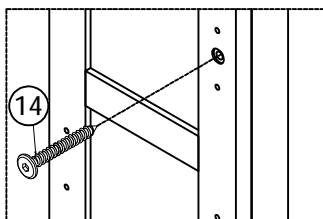
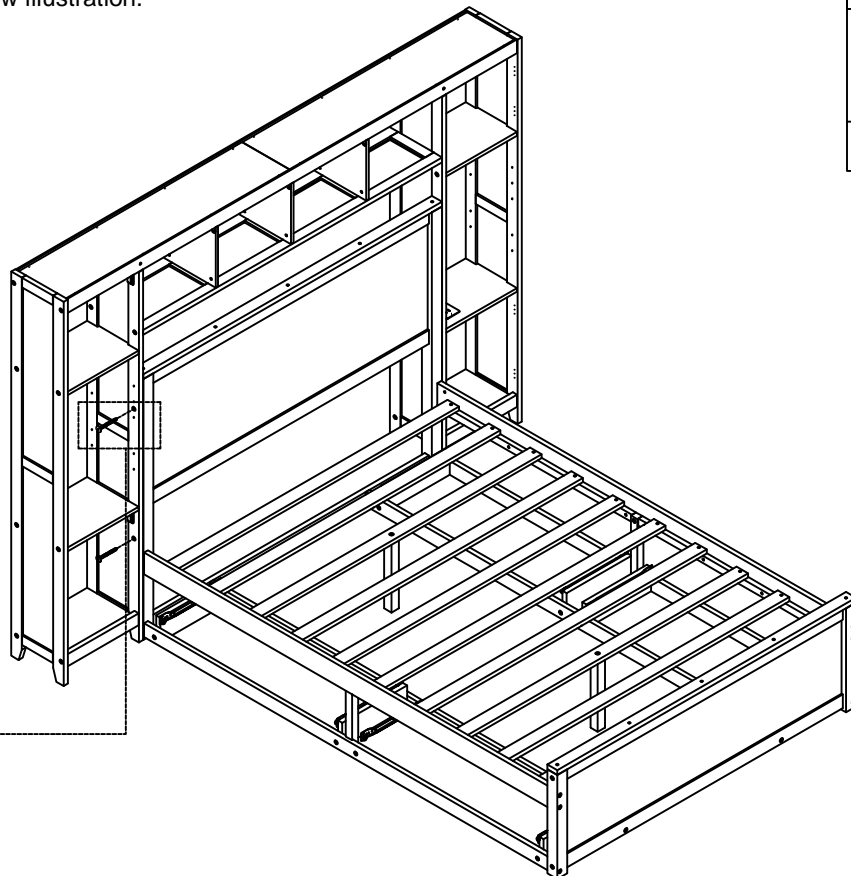
**STEP24:** Following below illustration.

17		22		14	
2(pcs)		1(pc)		2(pcs)	



**STEP25:** Following below illustration.

14	
2(pcs)	



**STEP26:** Following below illustration.

12

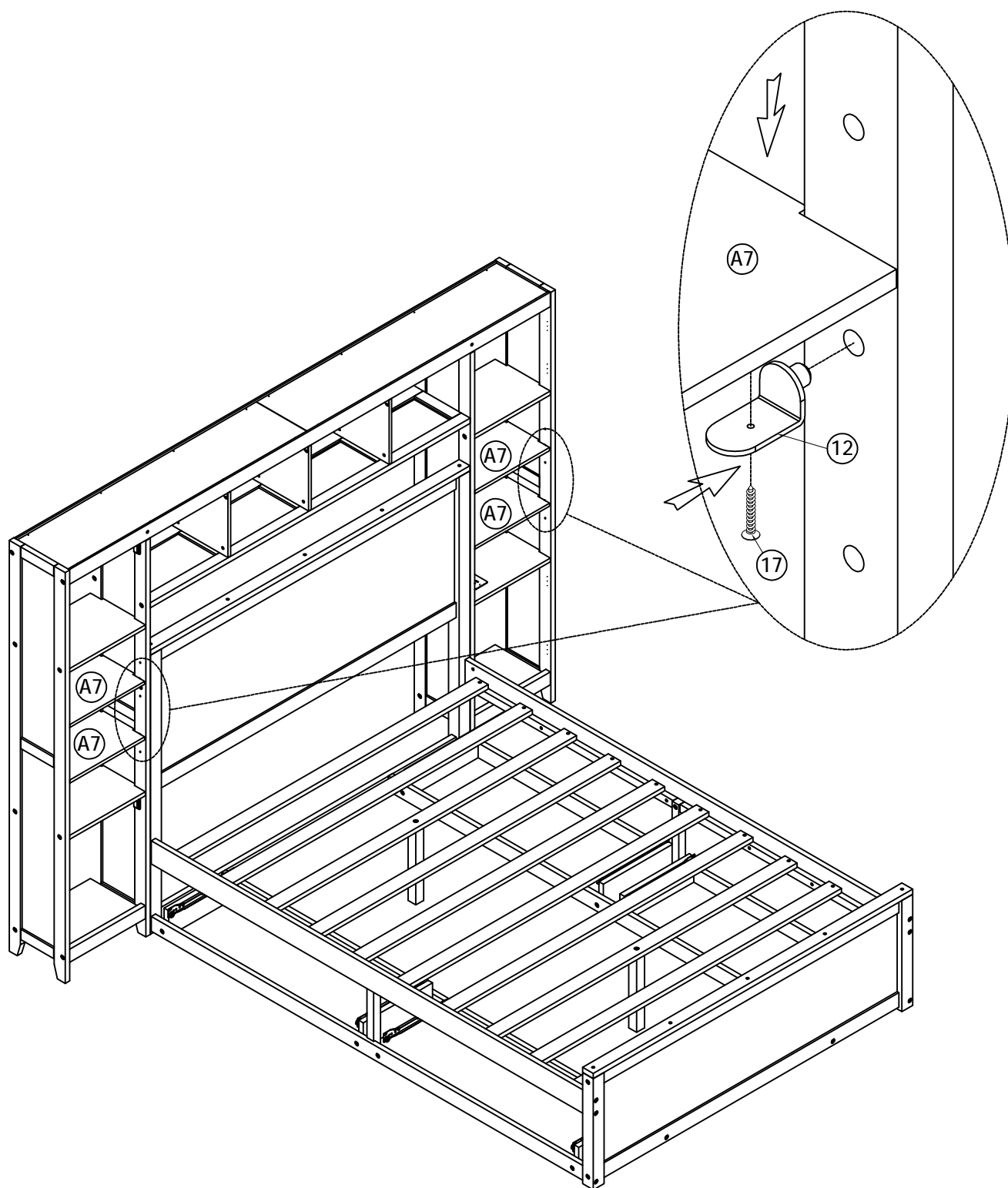


16(pcs)

17



16(pcs)

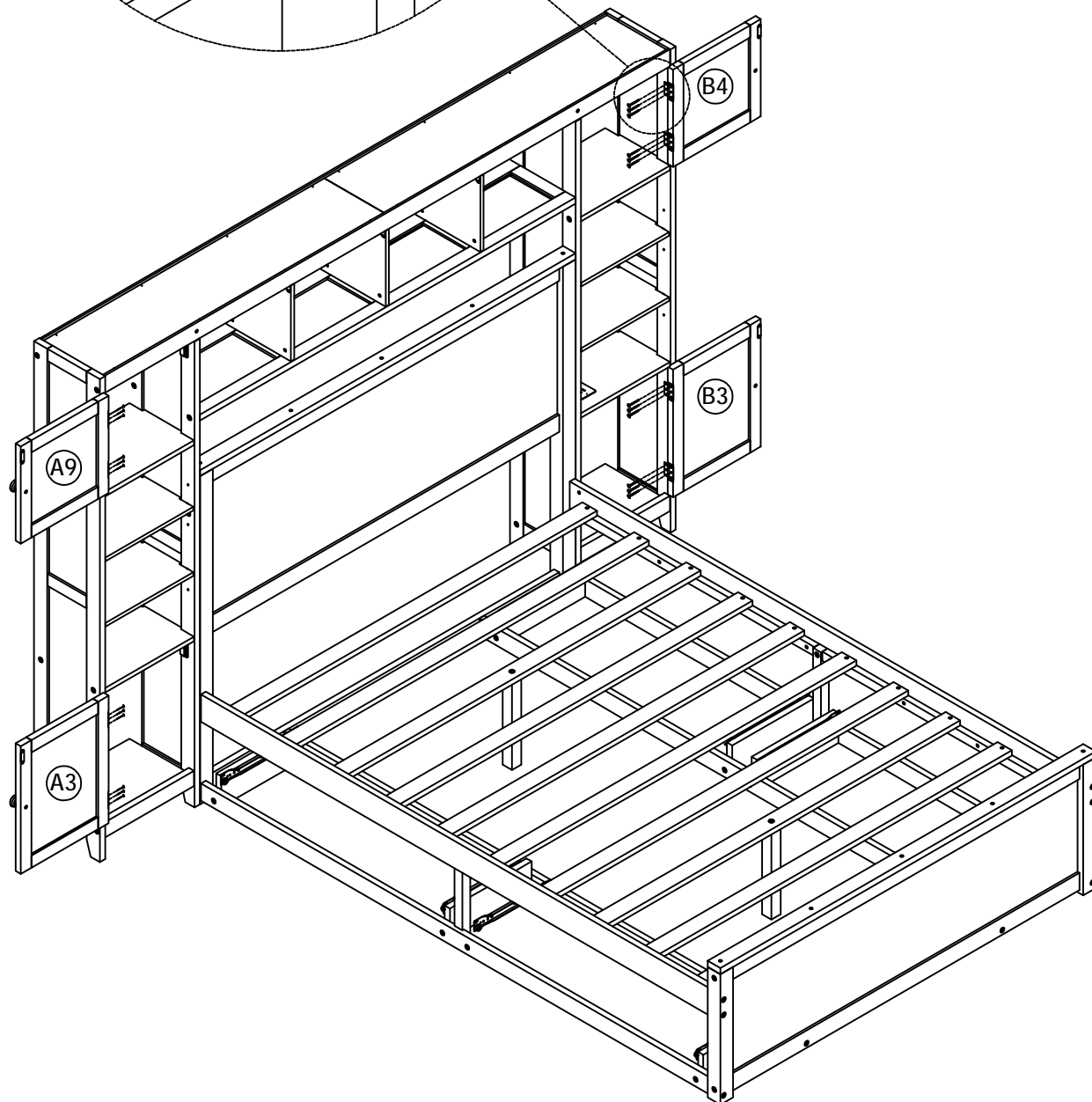
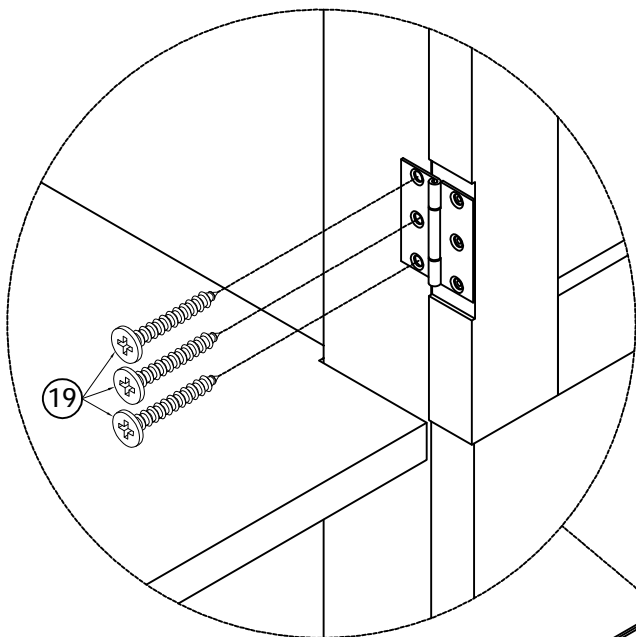


**STEP27:** Following below illustration.

19



24(pcs)



**STEP28:** Following below illustration.

