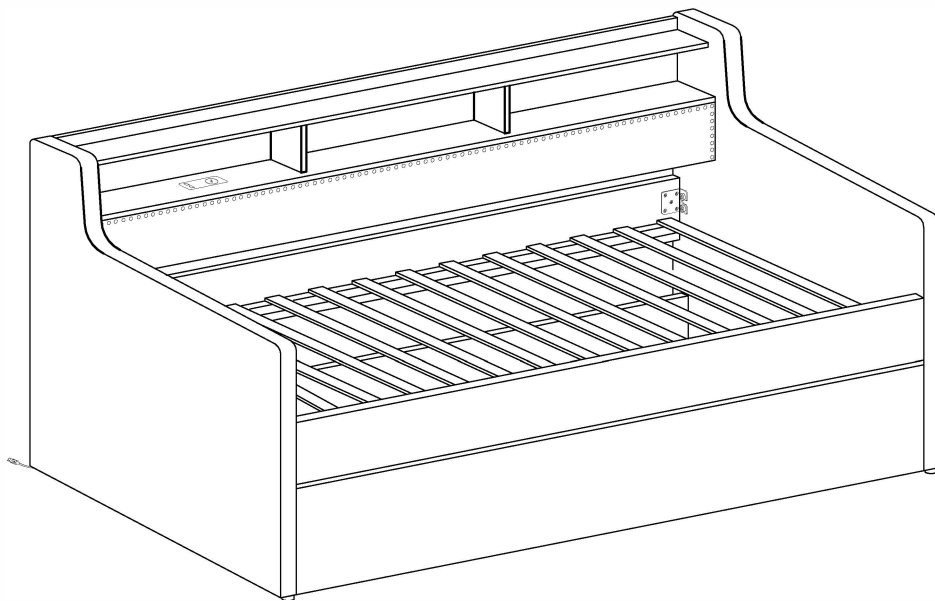

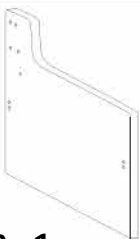
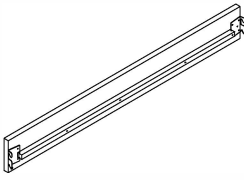
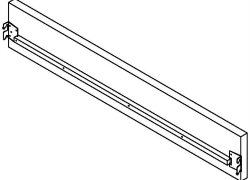

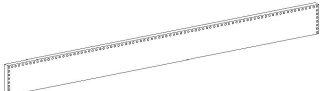
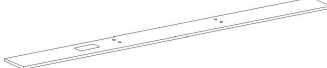
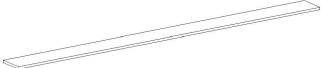
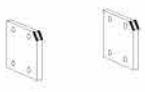


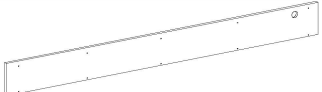
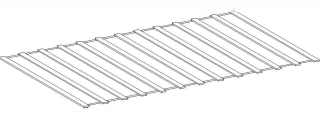

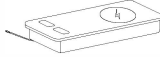

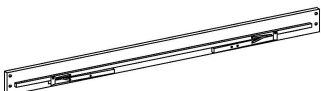
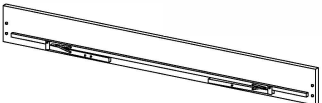
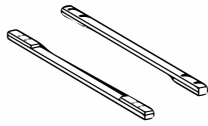

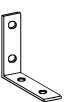

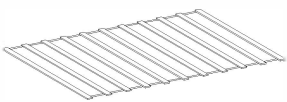


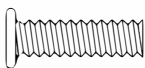
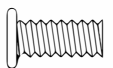
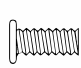


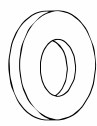












ASSEMBLY INSTRUCTION



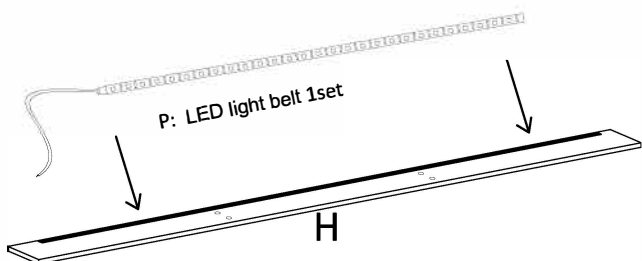
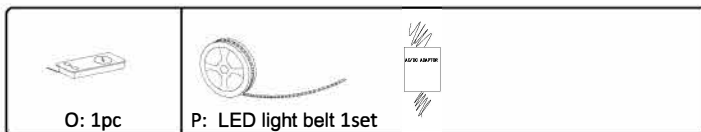
PARTS LIST

 A: 1pc	 B: 1pc	 C: 1pc	 D: 1pc
 E: 1pc	 F: 1pc	 G: 1pc	 H: 1pc
 I: 2pcs	 J: 4pcs	 K: 2pcs	 L: 1pc
 M: 13pcs	 N: 4pcs		
 O: 1pc	 P: LED light belt 1set		
 Q: 1pc	 R: 1pc	 S: 2pcs	 T: 2pcs
 U: 4pcs	 V: 4pcs	 W: 11pcs	

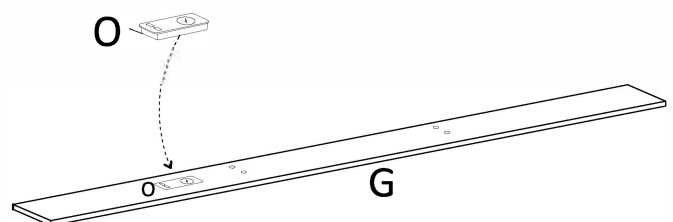
HARDWARE LIST

 M8*30mm 1: 12pcs	 M8*20mm 2: 24pcs	 M6*15mm 3: 20pcs	 M6*32mm 4: 6pcs
 M8 5: 36pcs	 M8*16mm 6: 36pcs	 M6*16mm 7: 36pcs	 M8 8: 1pc
 M6 9: 1pc	 10: 8pcs	 11: 8pcs	 8*30mm 12: 22pcs
 8*15mm 13: 16pcs	 14: 1pc	 M6*50mm 15: 10pcs	 M6 16: 10pcs
 M6 17: 1pc	 M8*50mm 18: 2pcs		

STEP 1:

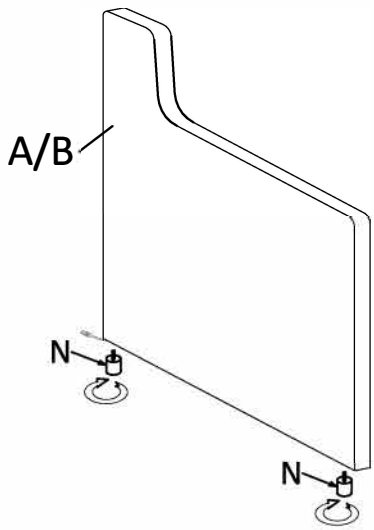


(o)&(p) Please refer to the appendix for details of installation and usage.



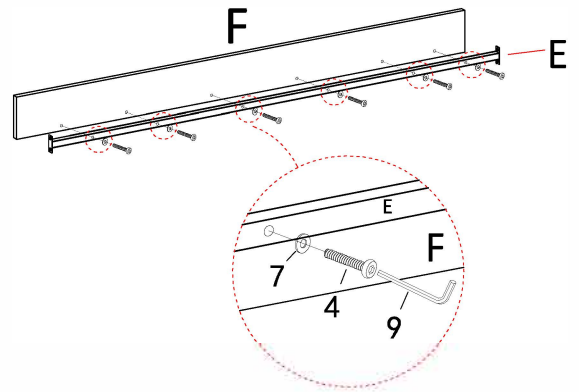
Assembly Steps

STEP 2:



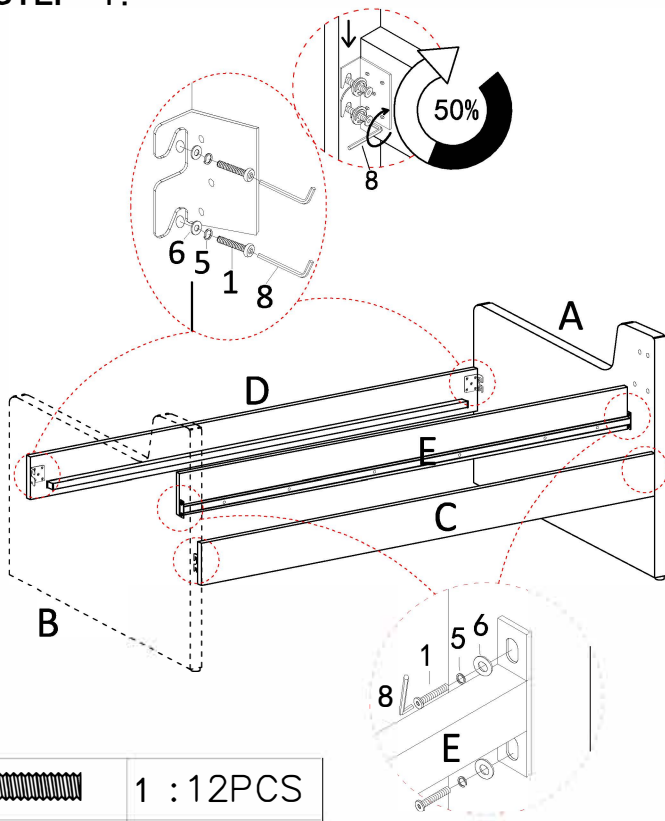
N: 4pcs

STEP 3:



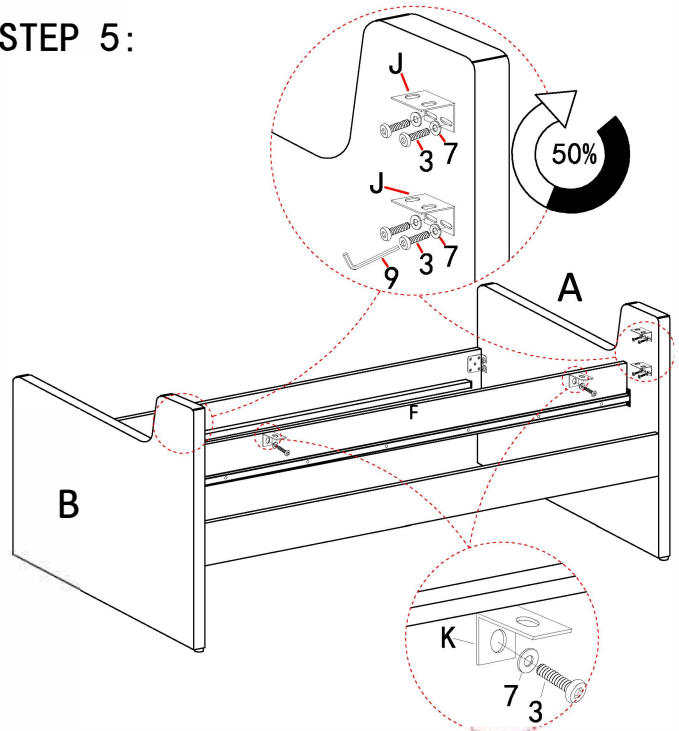
	4 : 6PCS
	7 : 6PCS
	9 : 1PC

STEP 4:



	1 : 12PCS
	8 : 1PC
	6 : 12PCS
	5 : 12PCS

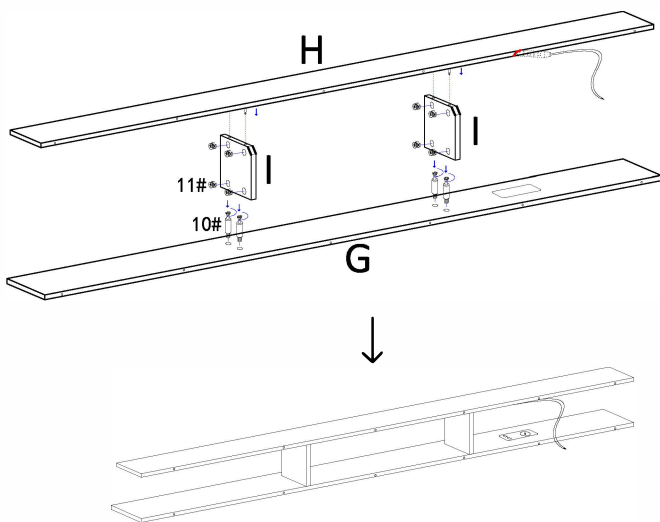
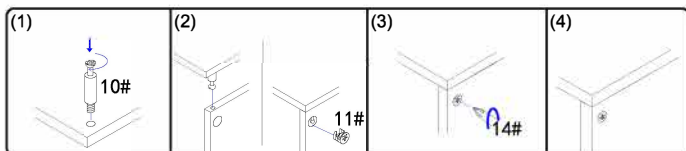
STEP 5:



	J : 4PCS
	K : 2PCS
	3 : 10PCS
	7 : 10PCS
	9 : 1PC

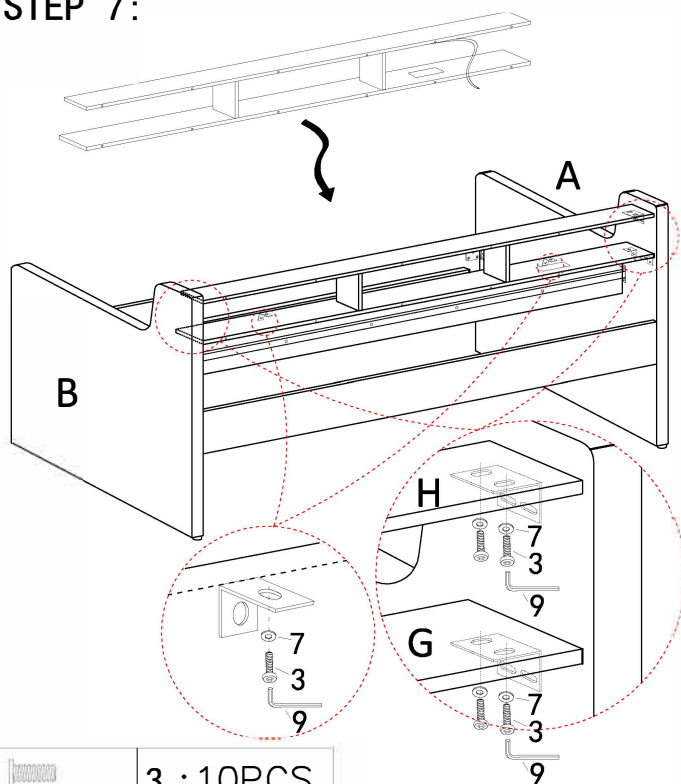
Assembly Steps

STEP 6:



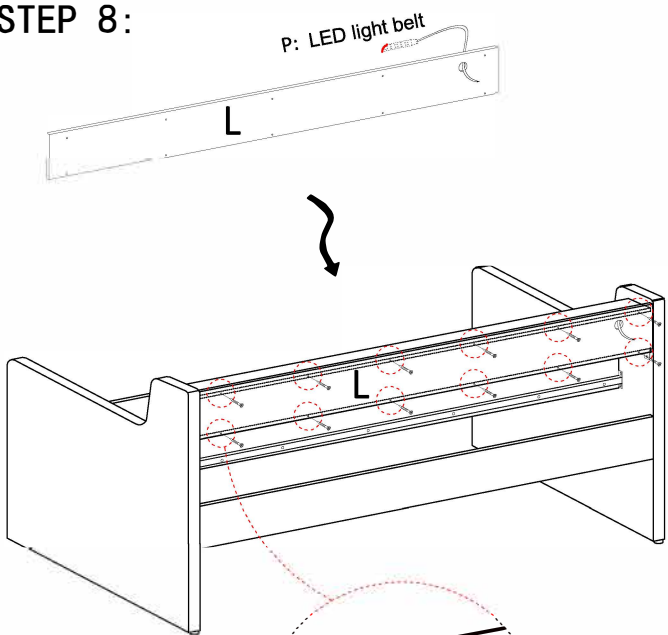
	10: 8PCS
	11: 8PCS
	14: 1PC

STEP 7:



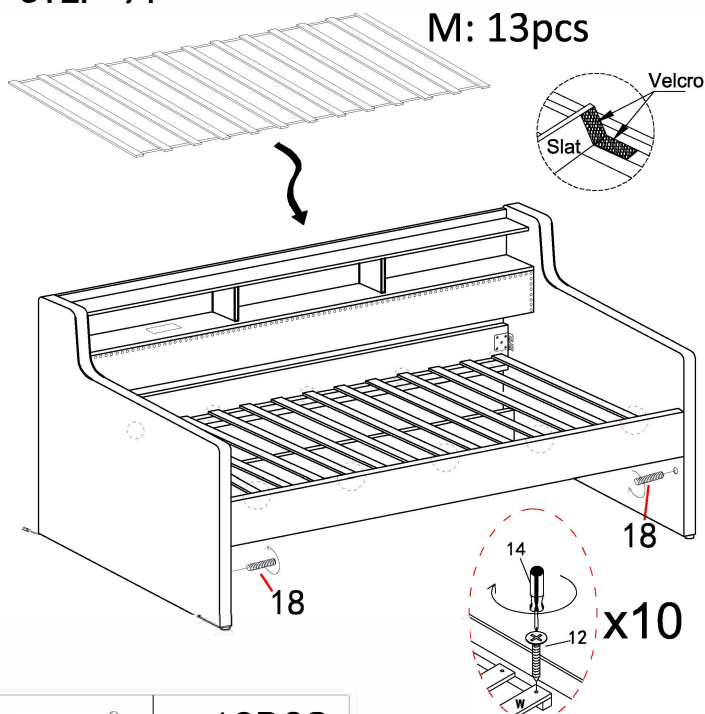
	3 : 10PCS
	7 : 10PCS
	9 : 1PC

STEP 8:



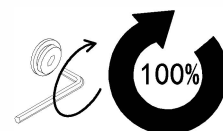
	12: 12PCS
	14: 1PC

STEP 9:



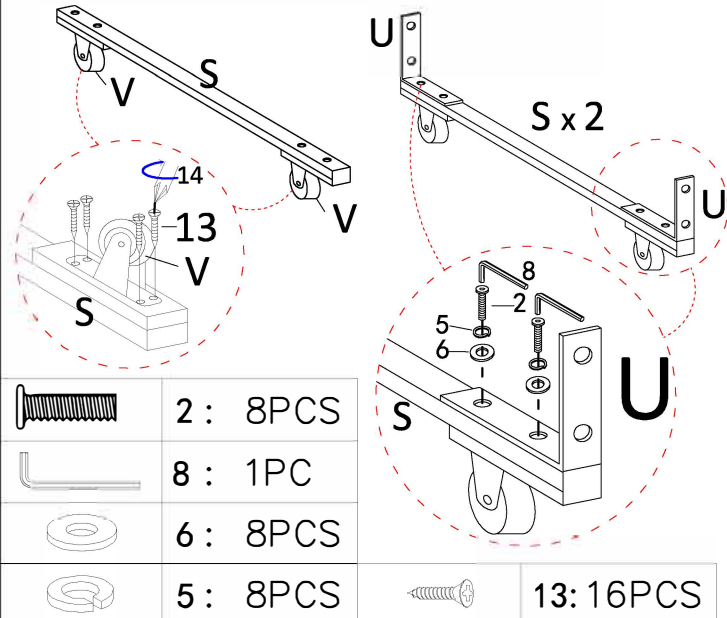
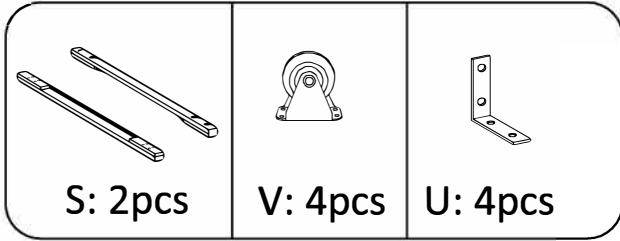
	12: 10PCS
	14: 1PC
	18: 2PCS
	8 : 1PC
	9 : 1PC

When you assemble this bed, step 9 please make sure all screws are fastened tightly.



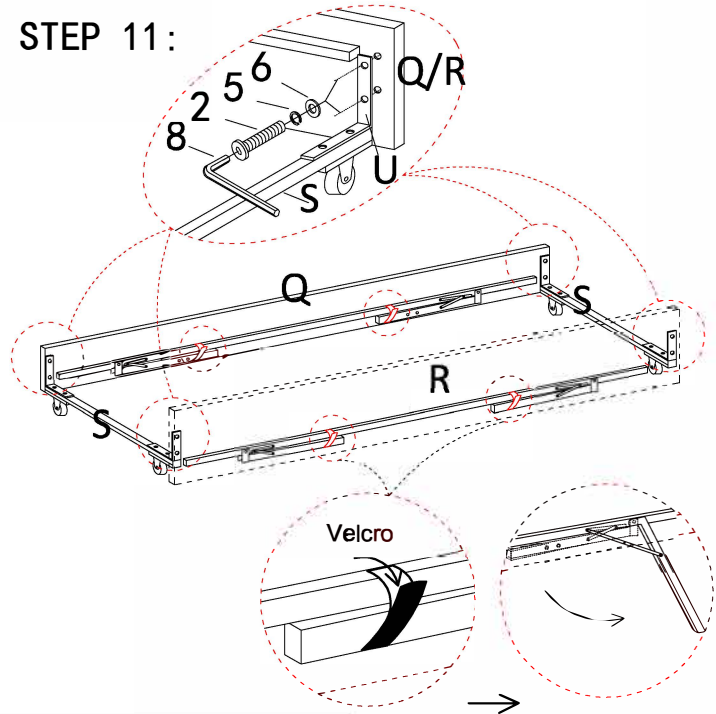
Assembly Steps

STEP 10:



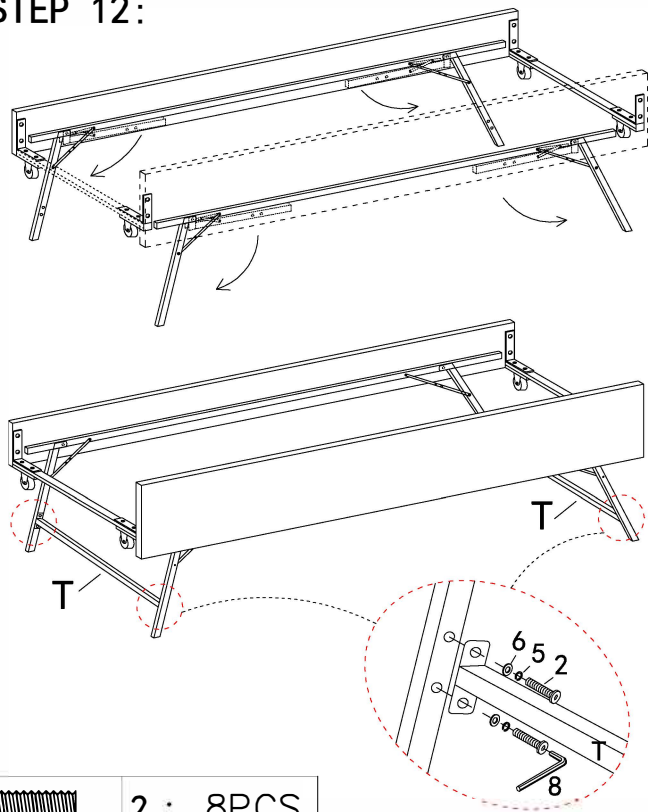
	2 : 8PCS		13: 16PCS
	8 : 1PC		
	6 : 8PCS		
	5 : 8PCS		

STEP 11:



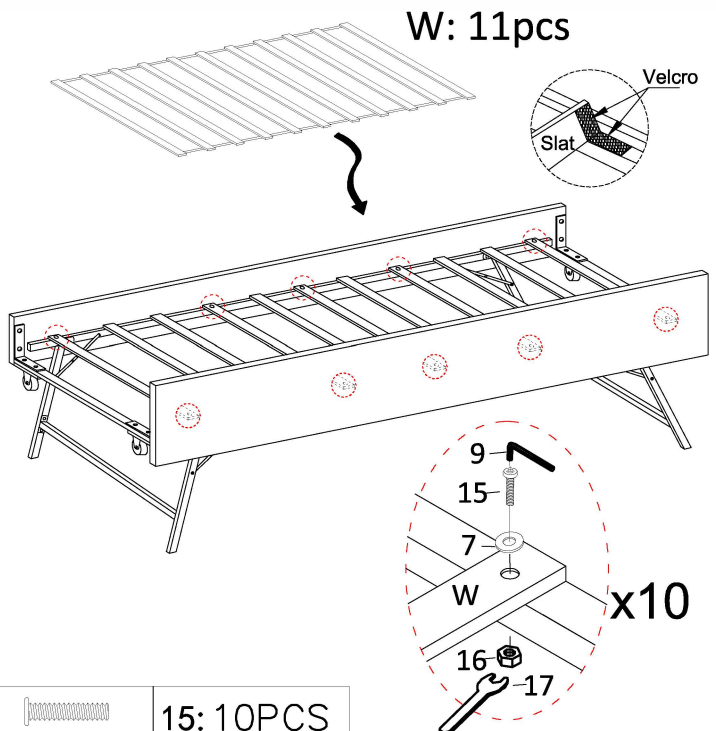
	2 : 8PCS
	8 : 1PC
	6 : 8PCS
	5 : 8PCS

STEP 12:



	2 : 8PCS
	8 : 1PC
	6 : 8PCS
	5 : 8PCS

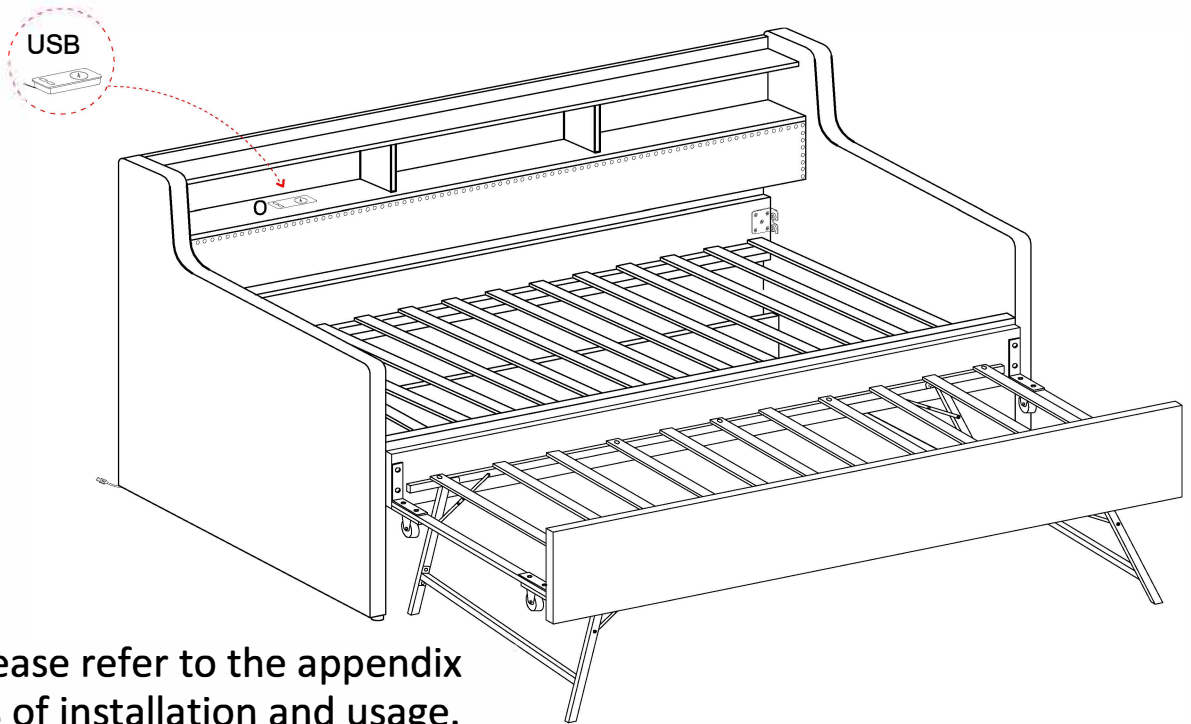
STEP 13:



	15: 10PCS		17: 1PC
	16: 10PCS		9 : 1PC
	7 : 10PCS		

Assembly Steps

STEP 14:



(o)&(p) Please refer to the appendix for details of installation and usage.

STEP 15:

