

# **Installation manual**

---

Notes:

1. Open the package and check that the number/code of boards and hardware is complete according to this instruction manual.
2. Follow the picture in the instructions, assemble it step by step and in order ((Tips: Note that the boards and holes are aligned as shown in the picture).
3. If you have any questions, please contact our customer service immediately (you can go into your account to find your order, and there will be a section to contact customer service or "contact seller" on order page).

## General Guidelines

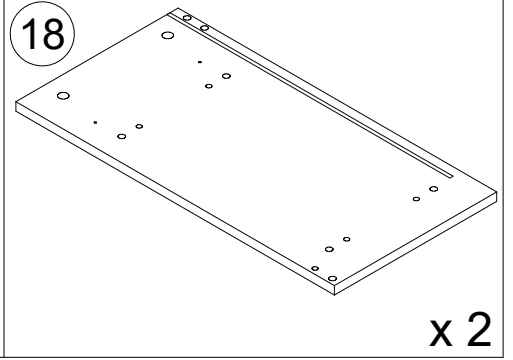
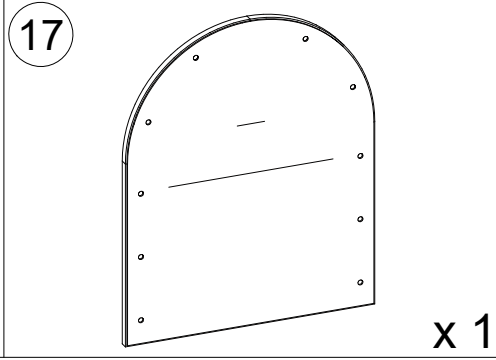
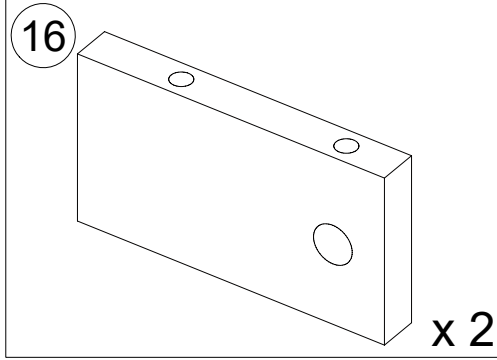
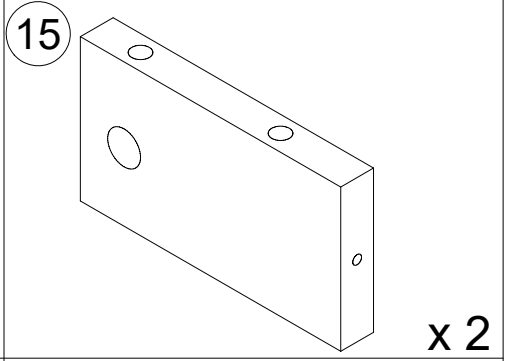
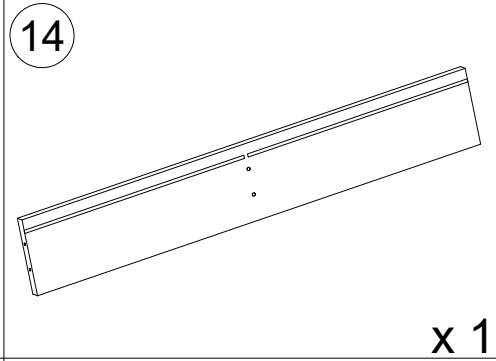
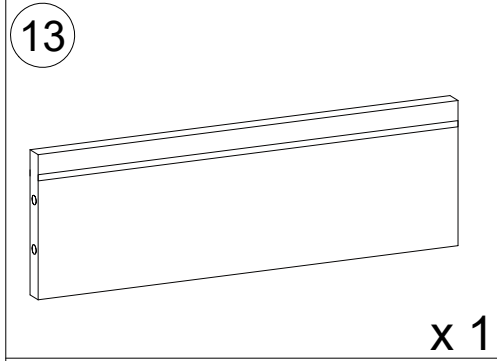
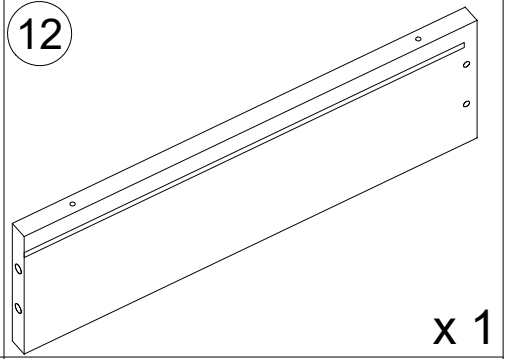
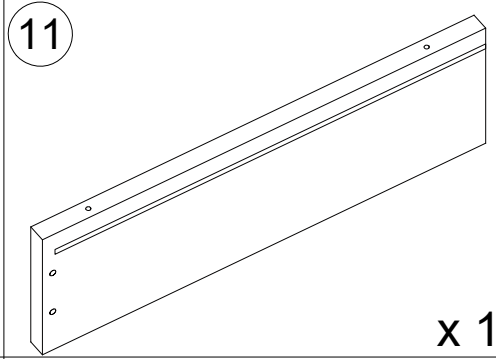
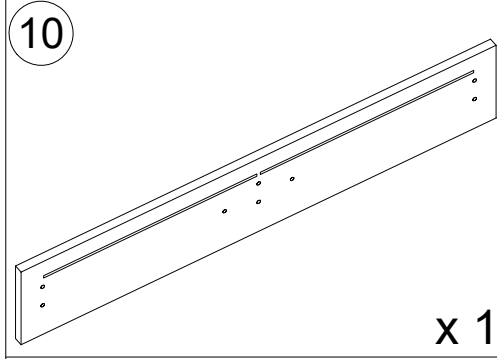
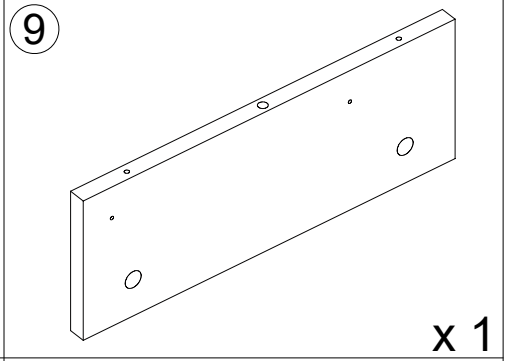
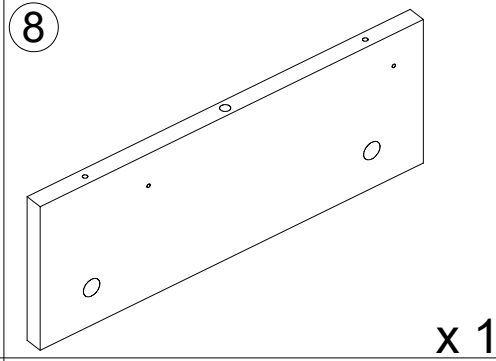
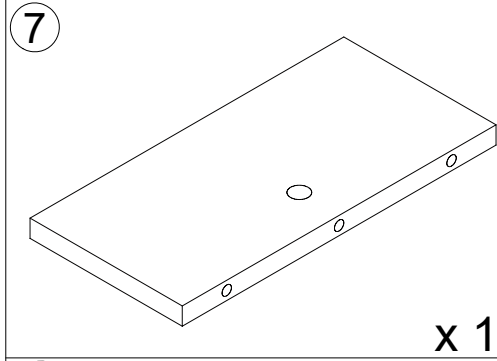
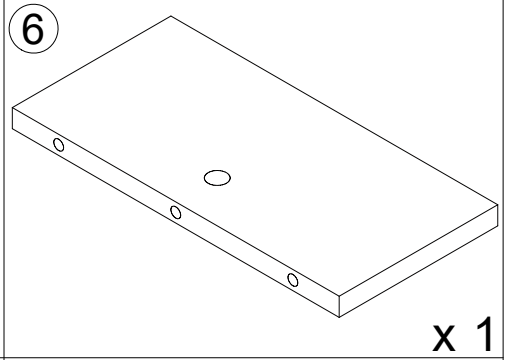
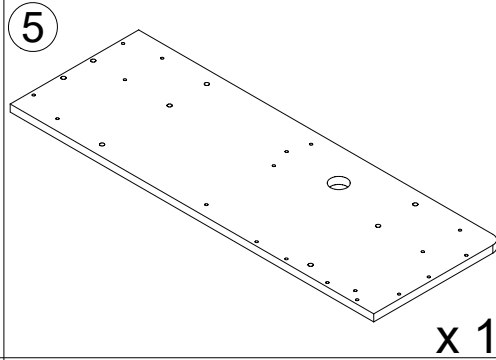
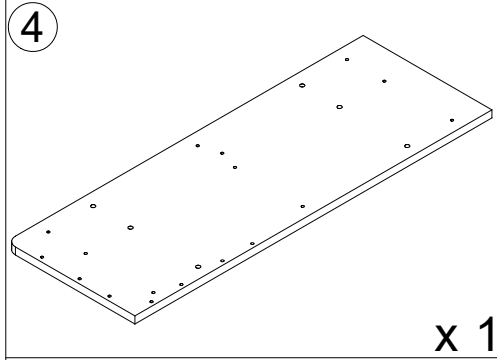
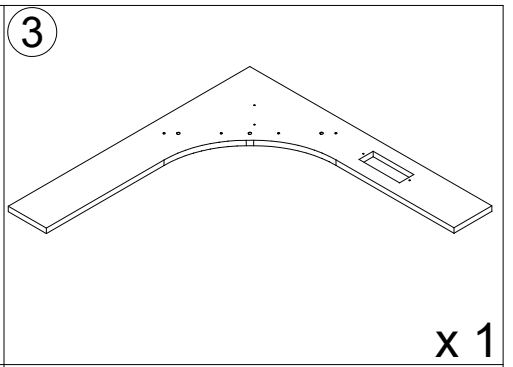
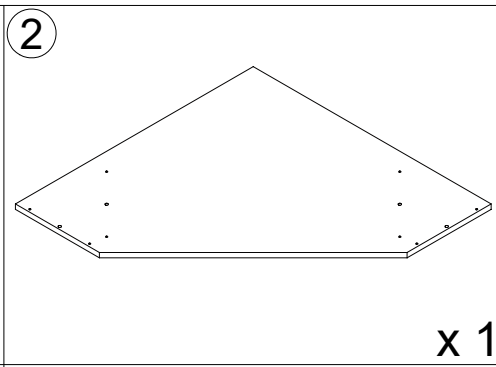
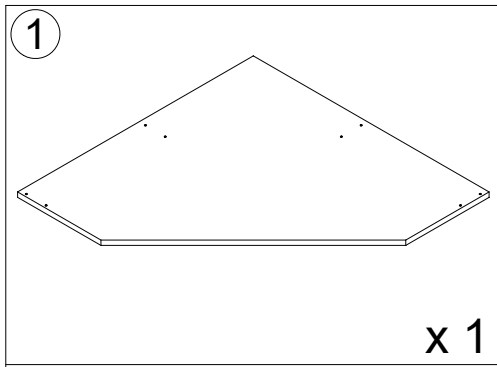
- Please read the following instruction carefully and use the product accordingly.
- Please keep this manual and hand it over when you transfer the product.
- This summary may not include every detail of all variations and considered steps. Please contact us when further information and help are needed.
- If there are any defective or missing parts after unpacking, please cease assembly and get in contact with us immediately.

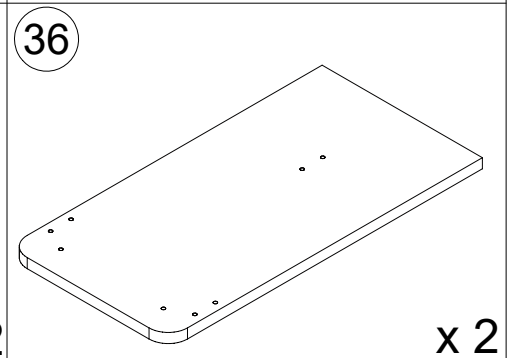
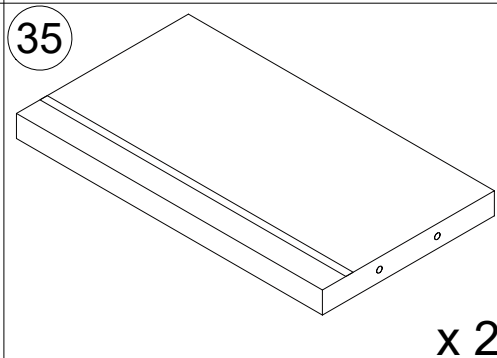
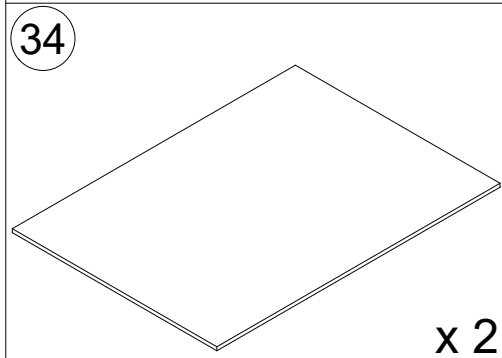
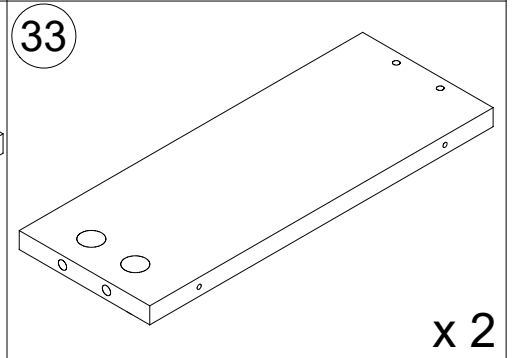
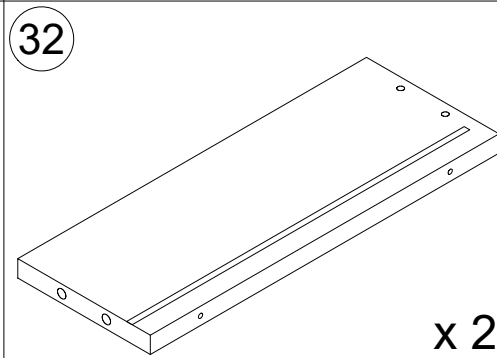
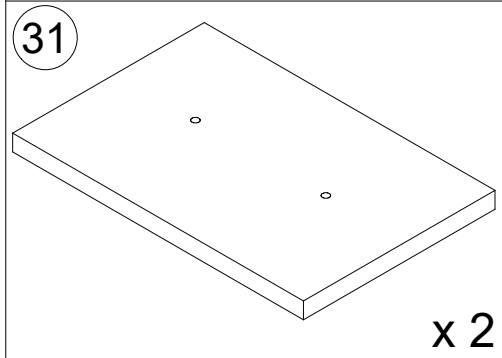
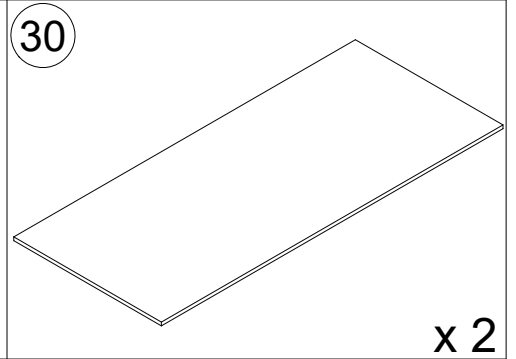
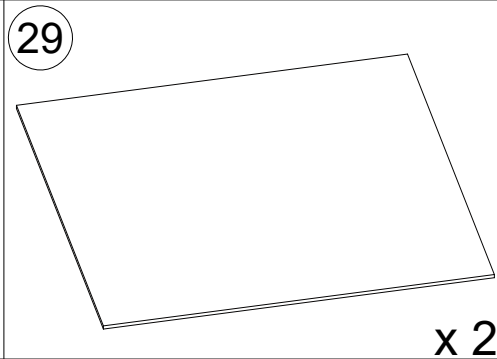
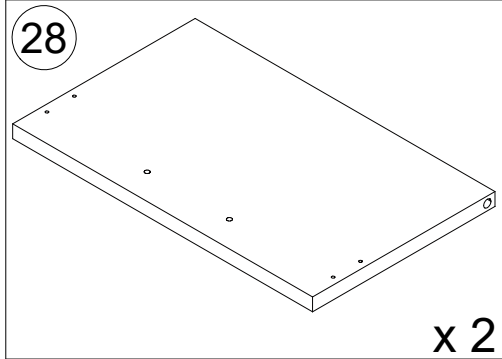
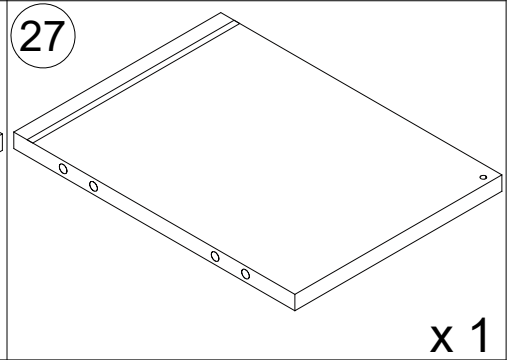
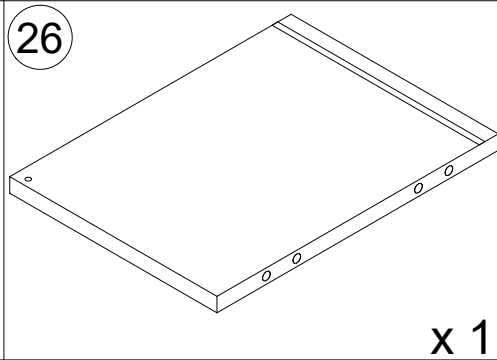
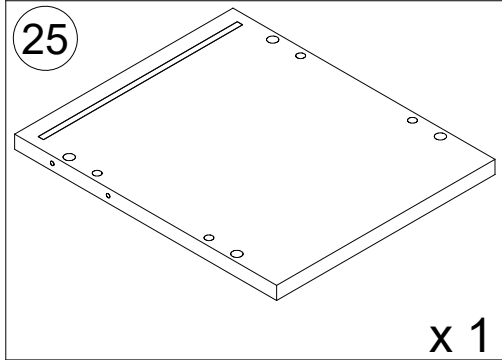
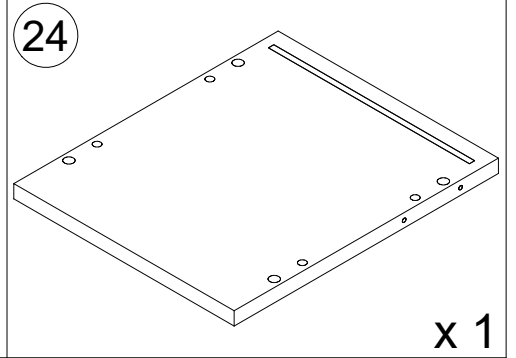
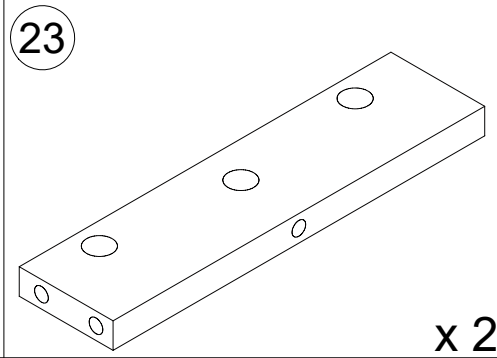
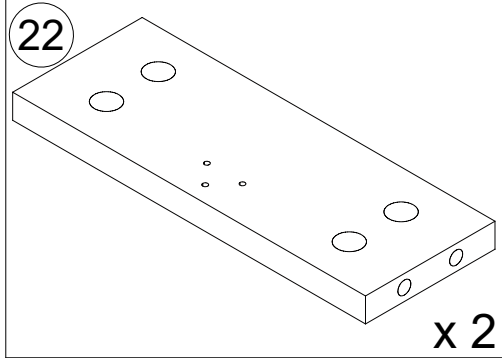
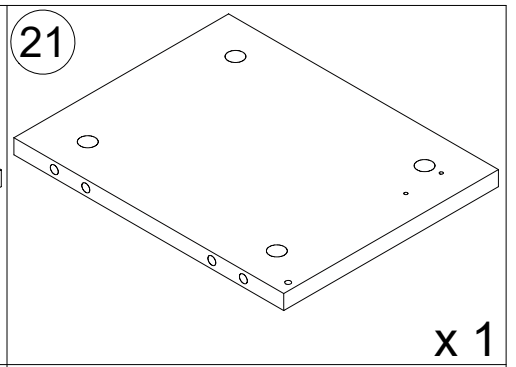
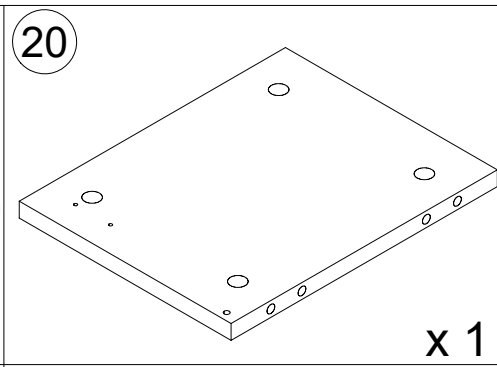
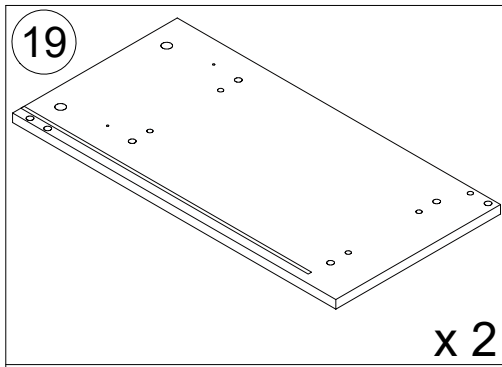
## Notes

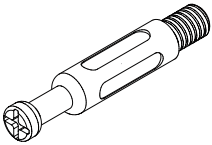
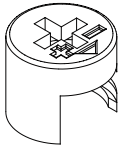

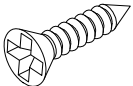


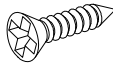
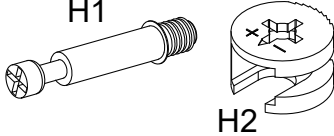
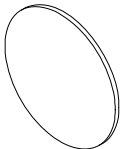
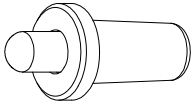
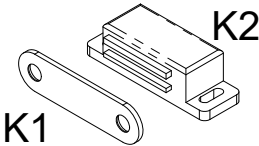
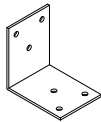
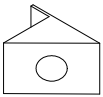
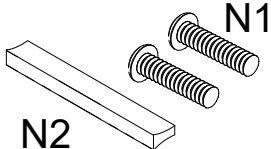

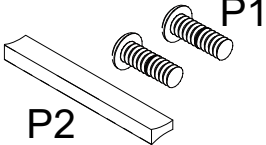
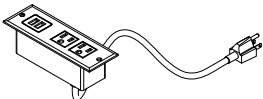
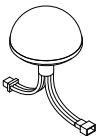
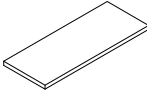
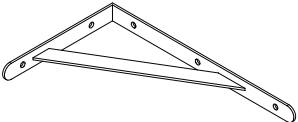
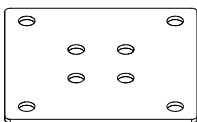
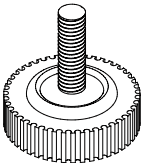
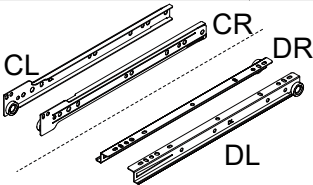
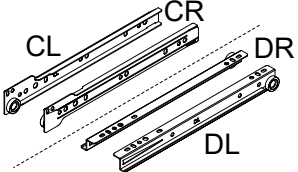
- The product must be assembled and used in accordance with the provisions of the manual.
- There may be some odour after unpacking the parcel, please put this item in a ventilated place for a few days and the odour will dissipate.

## Warnings

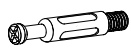
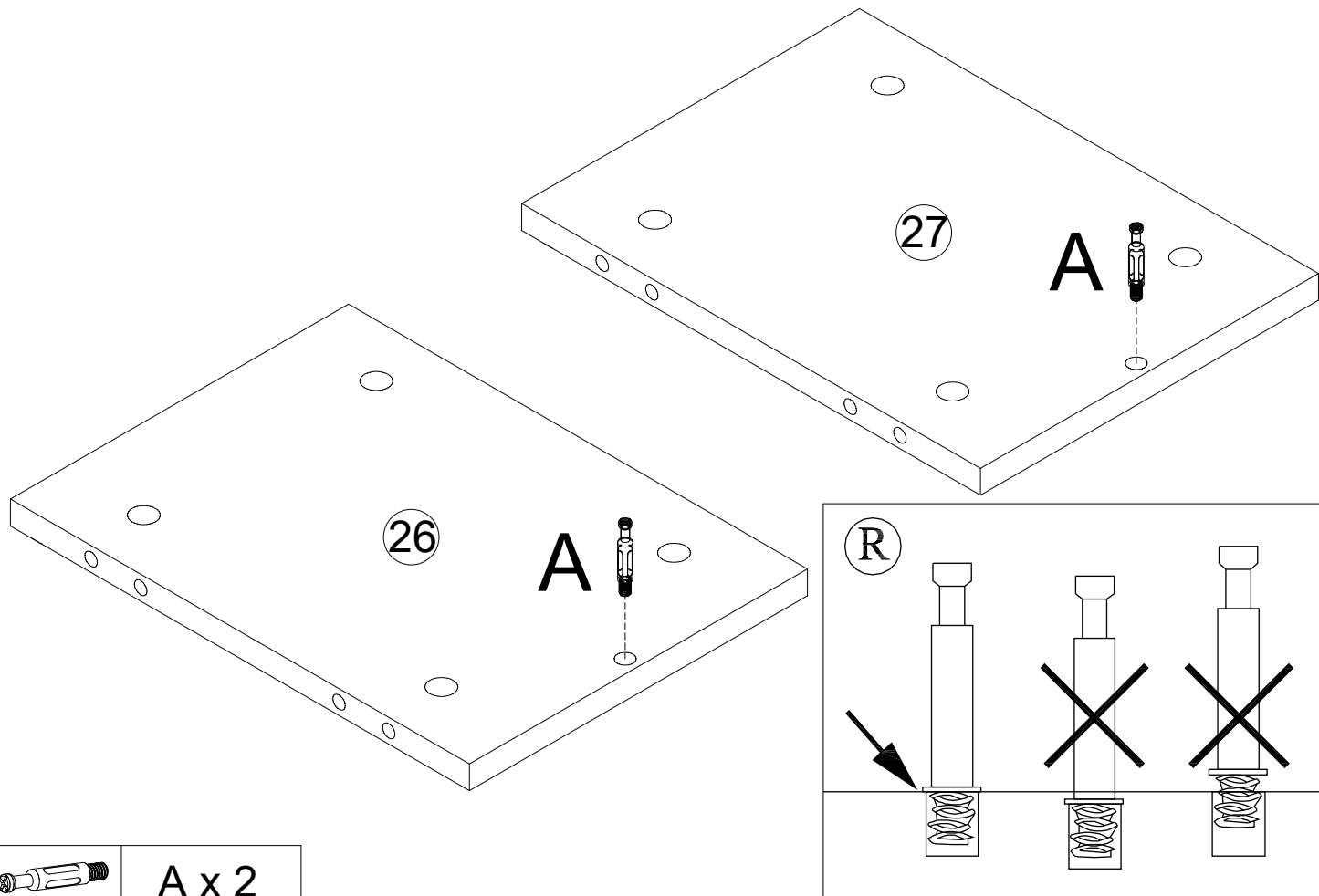
- During the assembly process, keep any small parts out of the reach of children. It may be fatal if swallowed or inhaled.
- To avoid the potential dangers of suffocation, please keep all parts and packaging (films, plastic bags and foam, etc.) away from babies and children.
- Do not stand or sit on the product.
- Never touch with sharp objects or corrosive chemicals, which may damage the surface of the item.
- Do not expose product to direct sunlight or rain; and do not put it in a humid place.





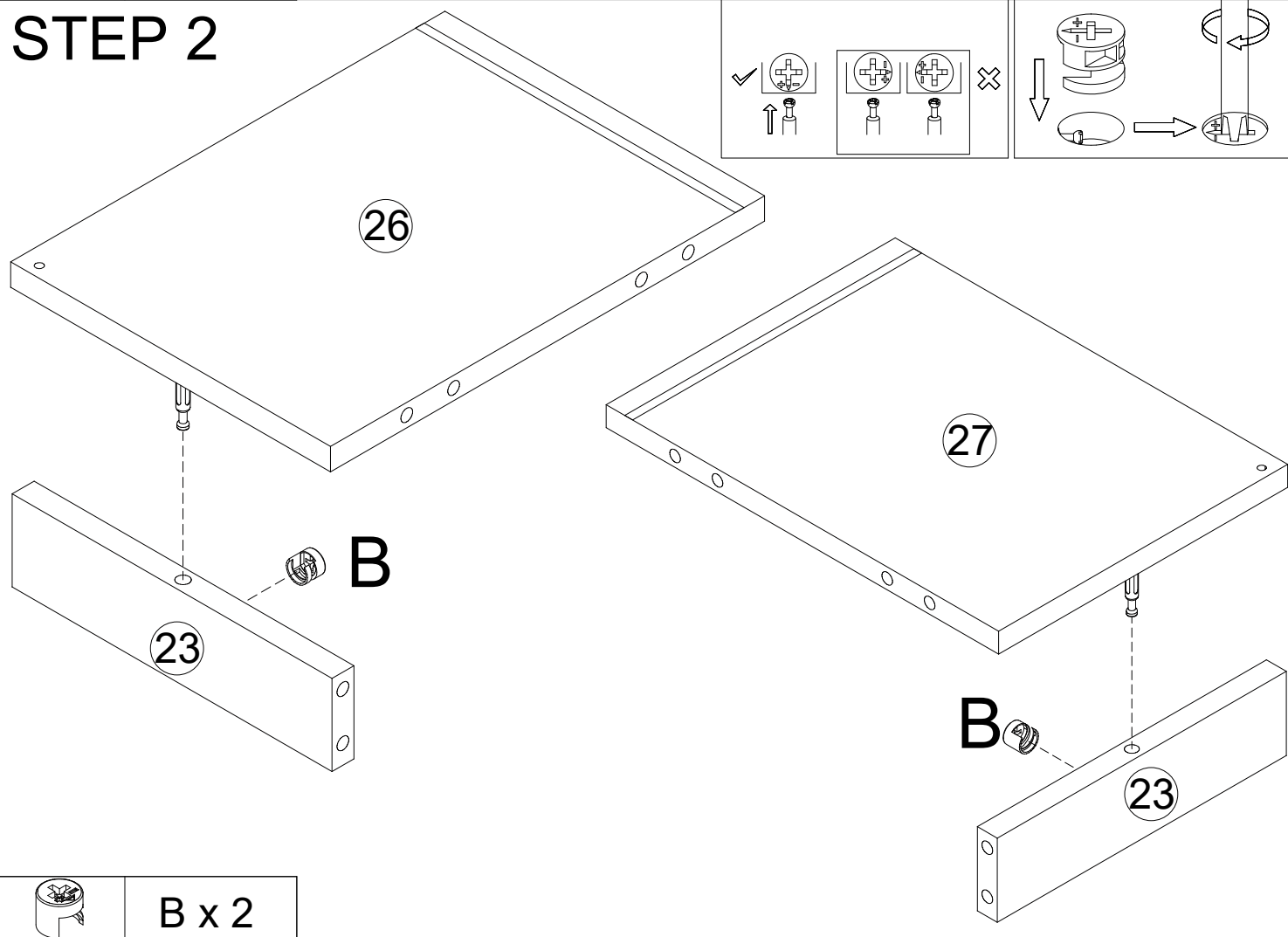
<b>A</b>	x 48+2	<b>B</b>	x 48+2	<b>C</b>	x 63+2	<b>D</b>	x 59+2
							
M6x40		M15x11		M8x40		M3.5x14	
<b>E</b>	x 68+2	<b>F</b>	x 14+1	<b>G</b>	x 8	<b>H</b>	x 14+1
							
M5x40		M3.5x35		M3x14		M6x28 & M15x9	
<b>I</b>	x 50+2	<b>J</b>	x 4+1	<b>K</b>	x 2	<b>L</b>	x 2
							
M20							
<b>M</b>	x 8+1	<b>N</b>	x 2	<b>O</b>	x 40+2	<b>P</b>	x 3
							
		M4x18		M15		M4x15	
<b>Q</b>	x 1	<b>R</b>	x 10	<b>S</b>	x 12	<b>T</b>	x 1
							
<b>U</b>	x 1	<b>V</b>	x 1	<b>CL&amp;CR&amp;DL&amp;DR</b>	x 1	<b>CL&amp;CR&amp;DL&amp;DR</b>	x 2
							
				300MM		250MM	

# STEP 1



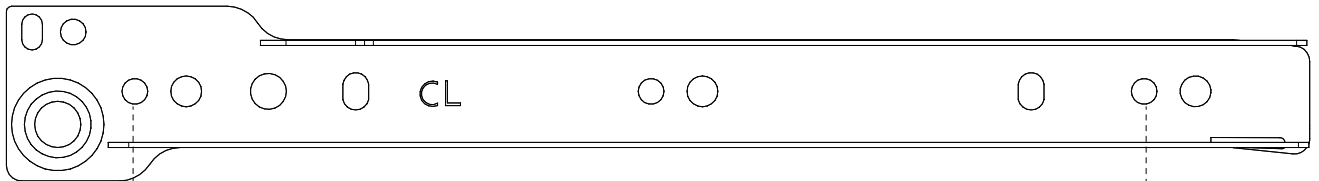
A x 2

# STEP 2



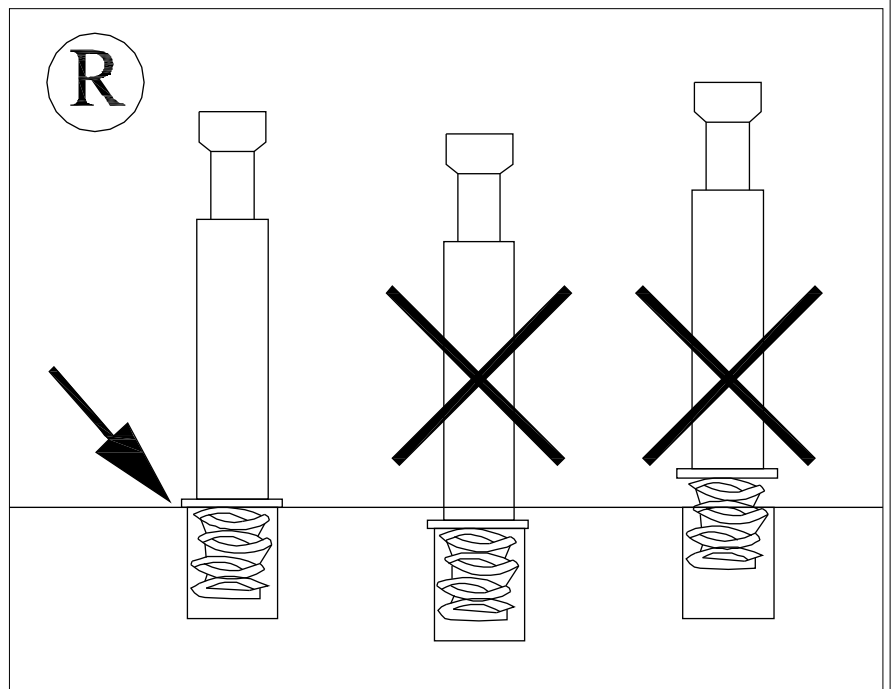
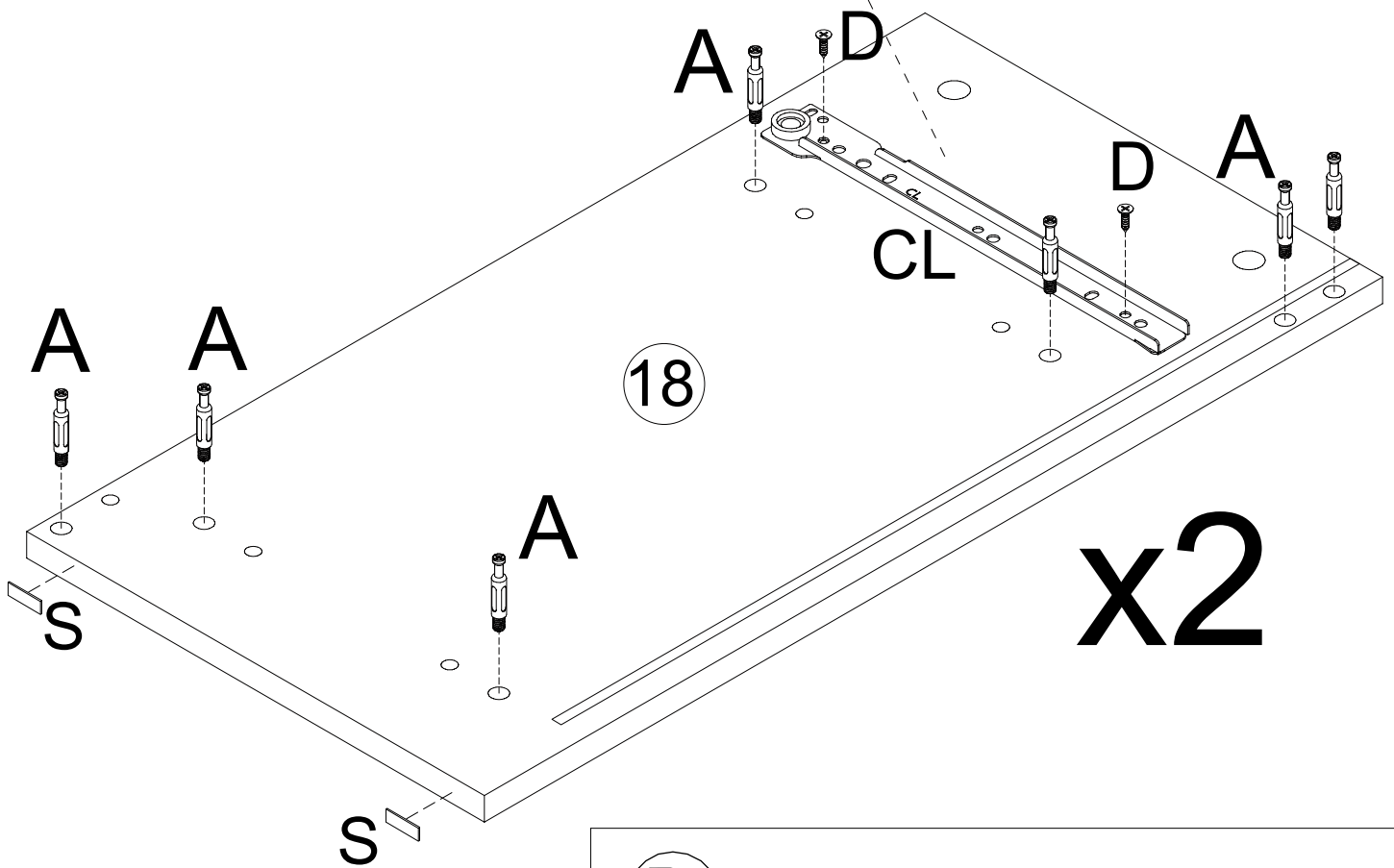
B x 2

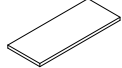



# STEP 3



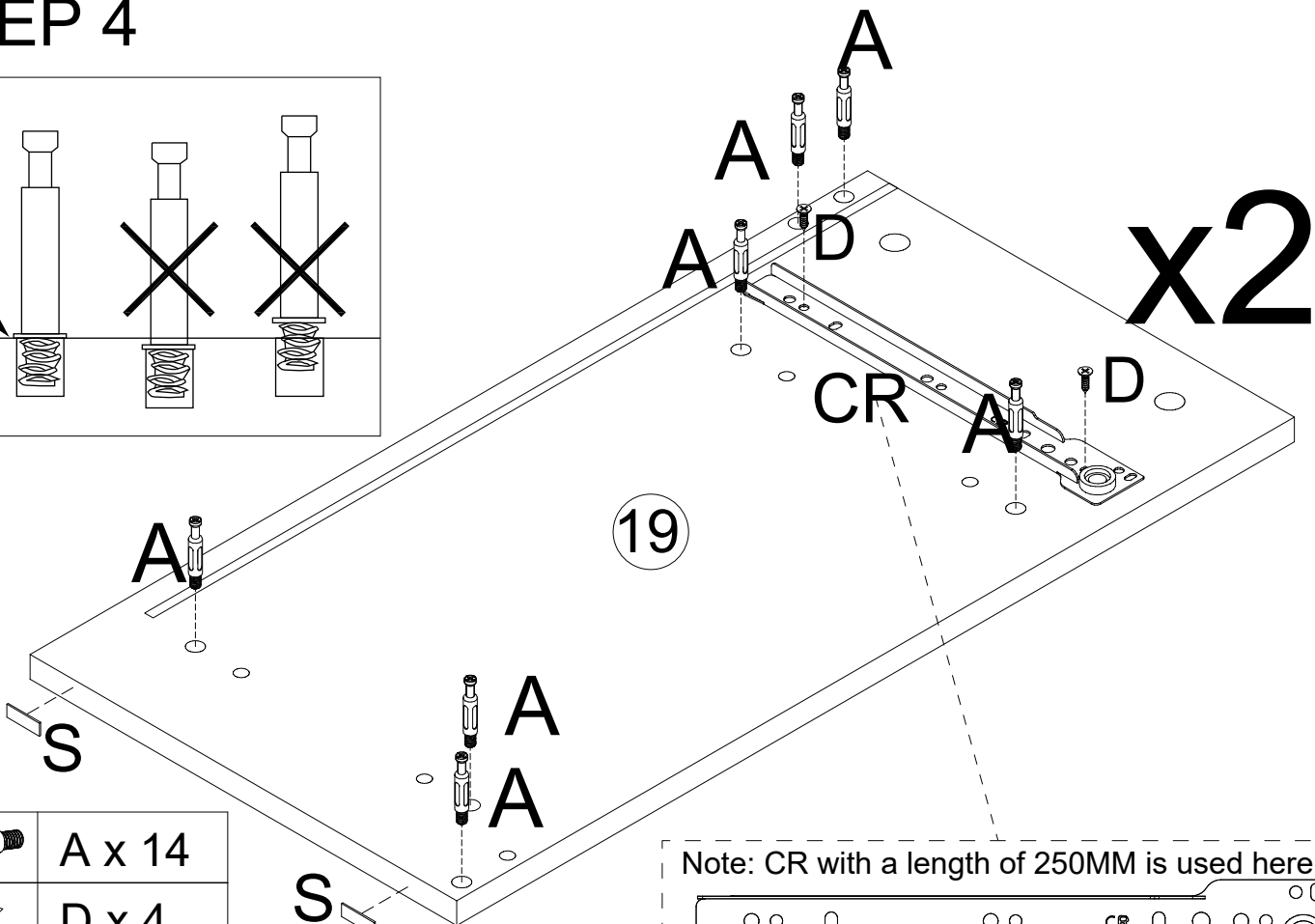
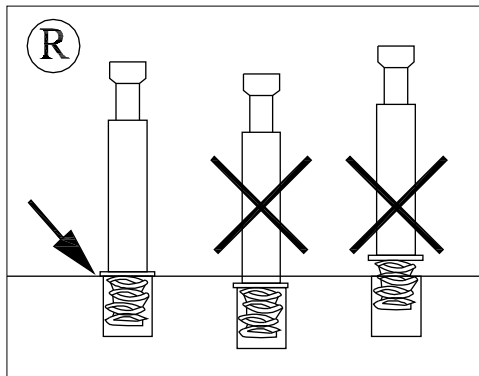
Note: CL with a length of 250MM is used here

CL -250mm



	S x 4
	A x 14
	D x 4
	CL x 2

# STEP 4



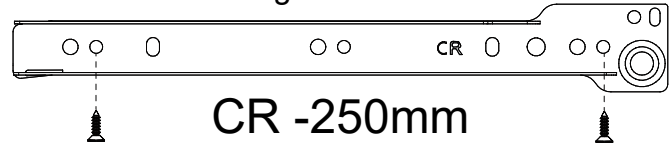
	A x 14
--	--------

	D x 4
--	-------

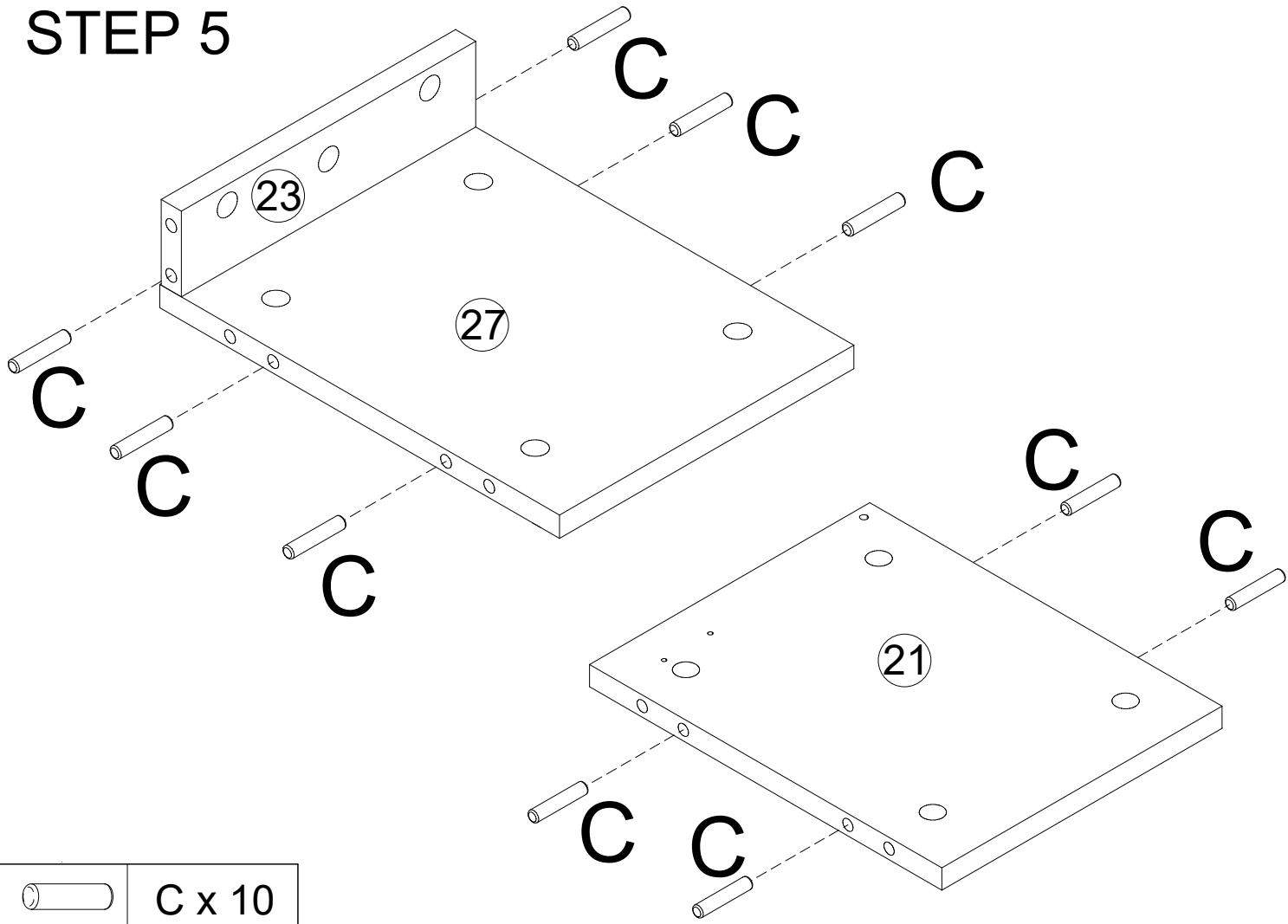
	CR x 2
--	--------

	S x 4
--	-------

Note: CR with a length of 250MM is used here

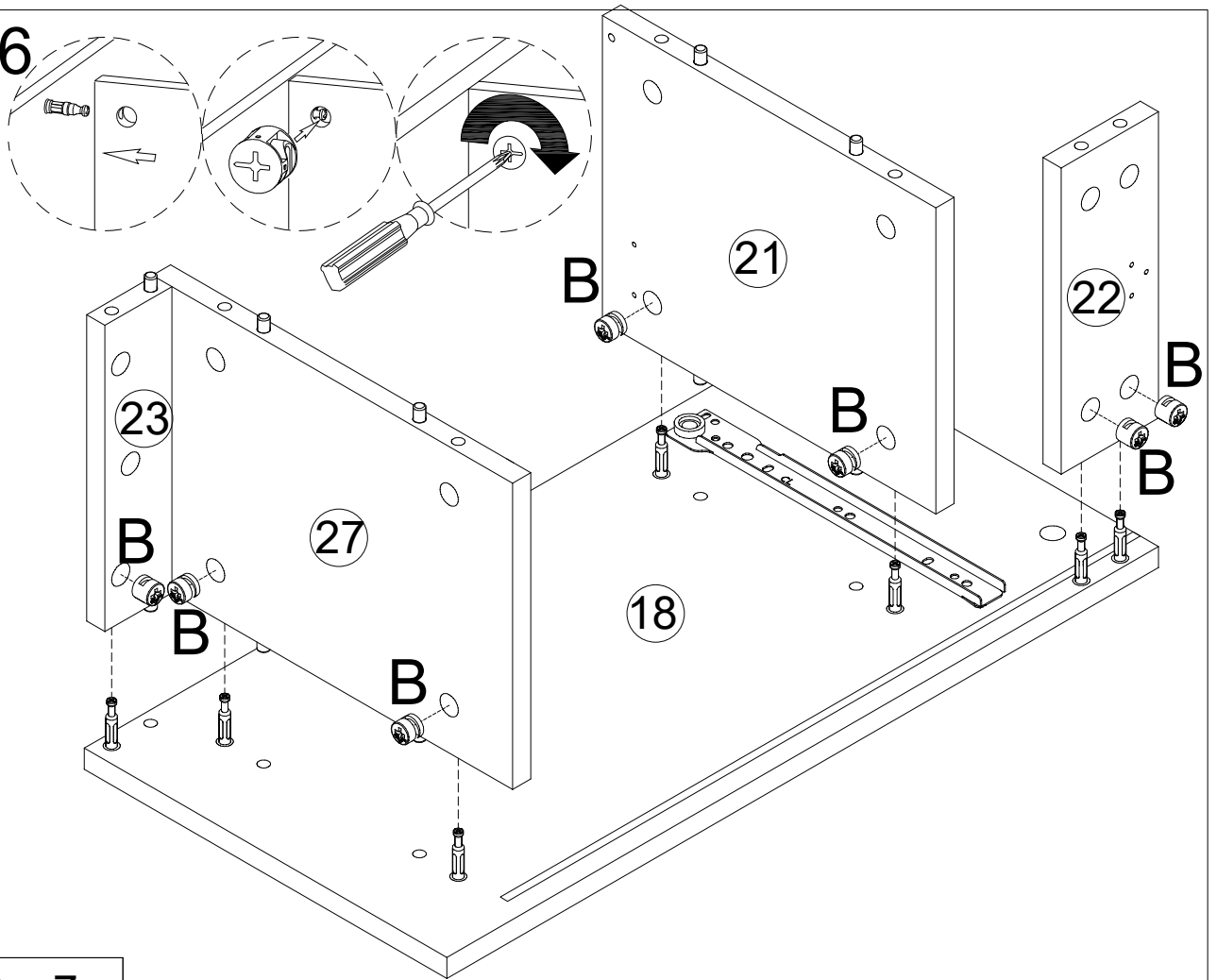


# STEP 5



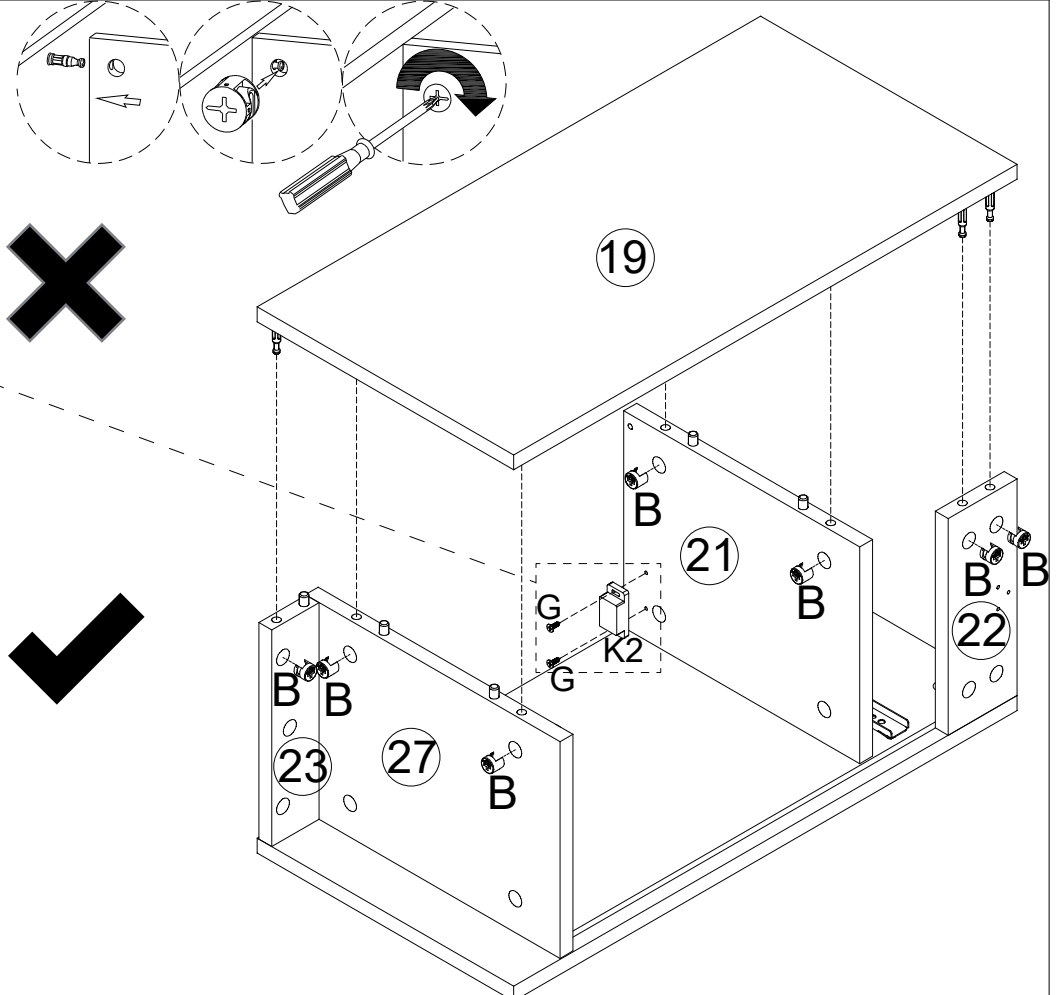
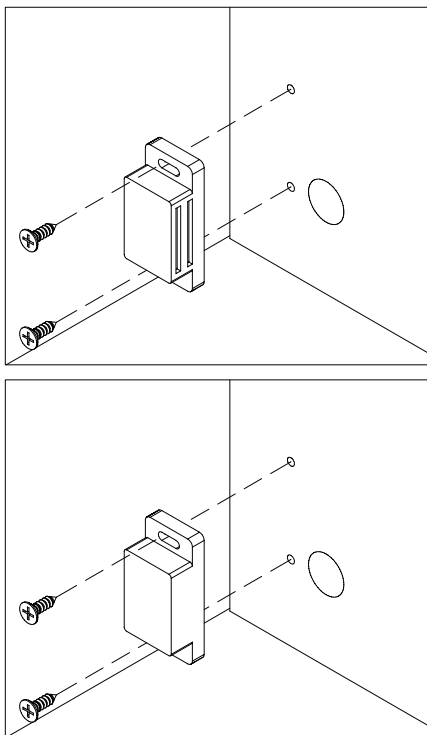
	C x 10
--	--------

# STEP 6



B x 7

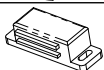
# STEP 7



G x 2



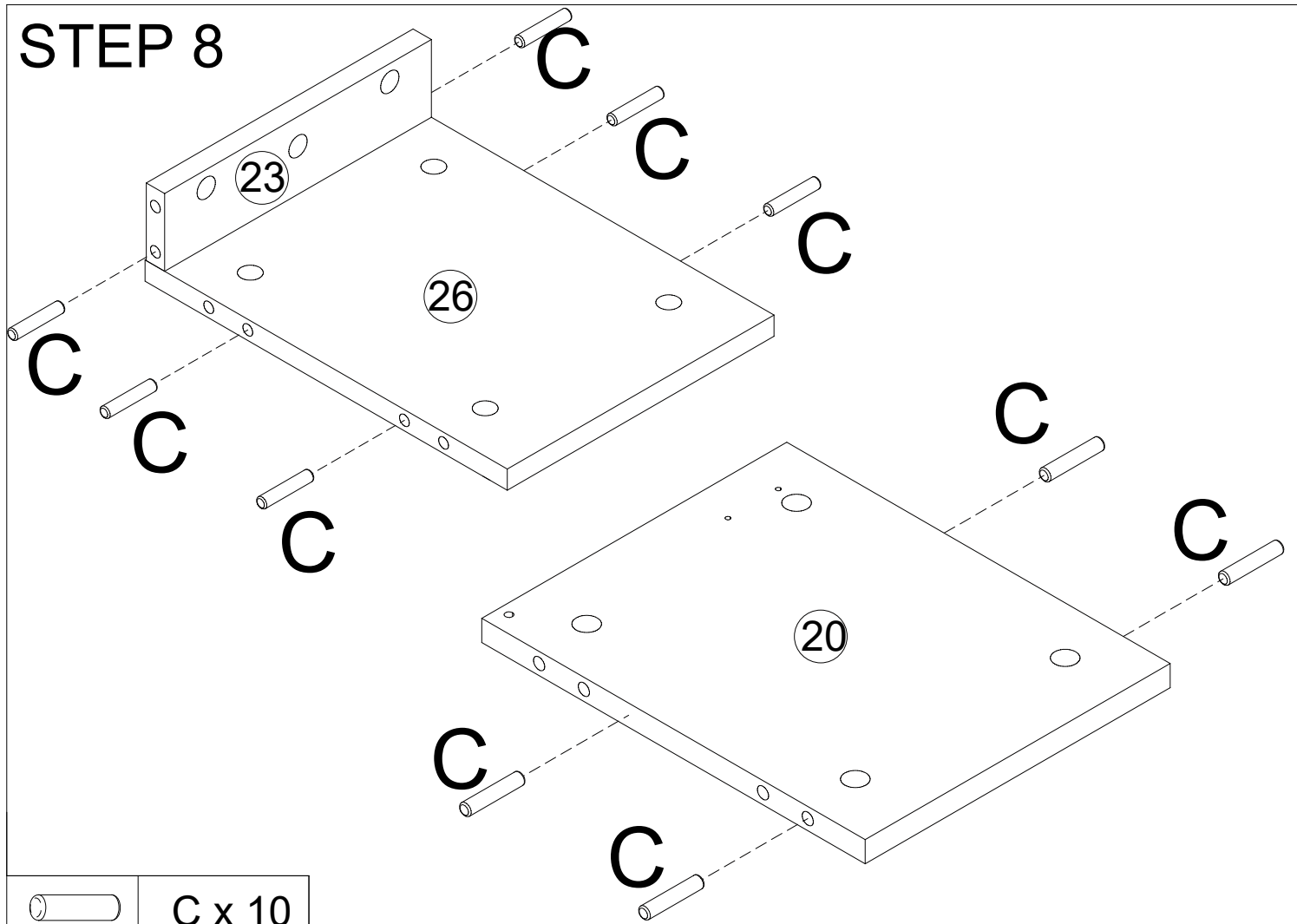
B x 7



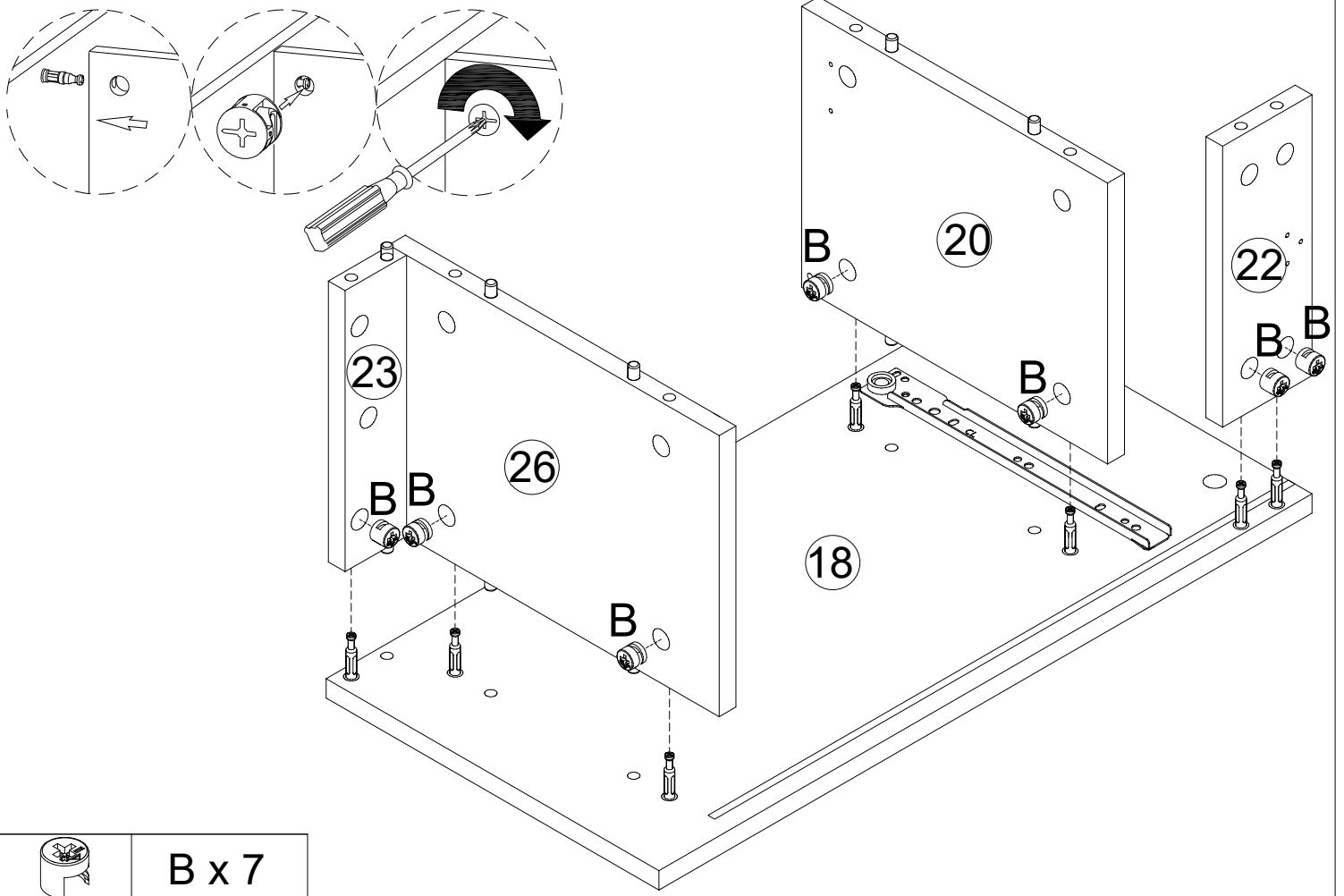
K2 x 1

Please refer to the example image and pay attention to the installation direction of the magnetic door holder

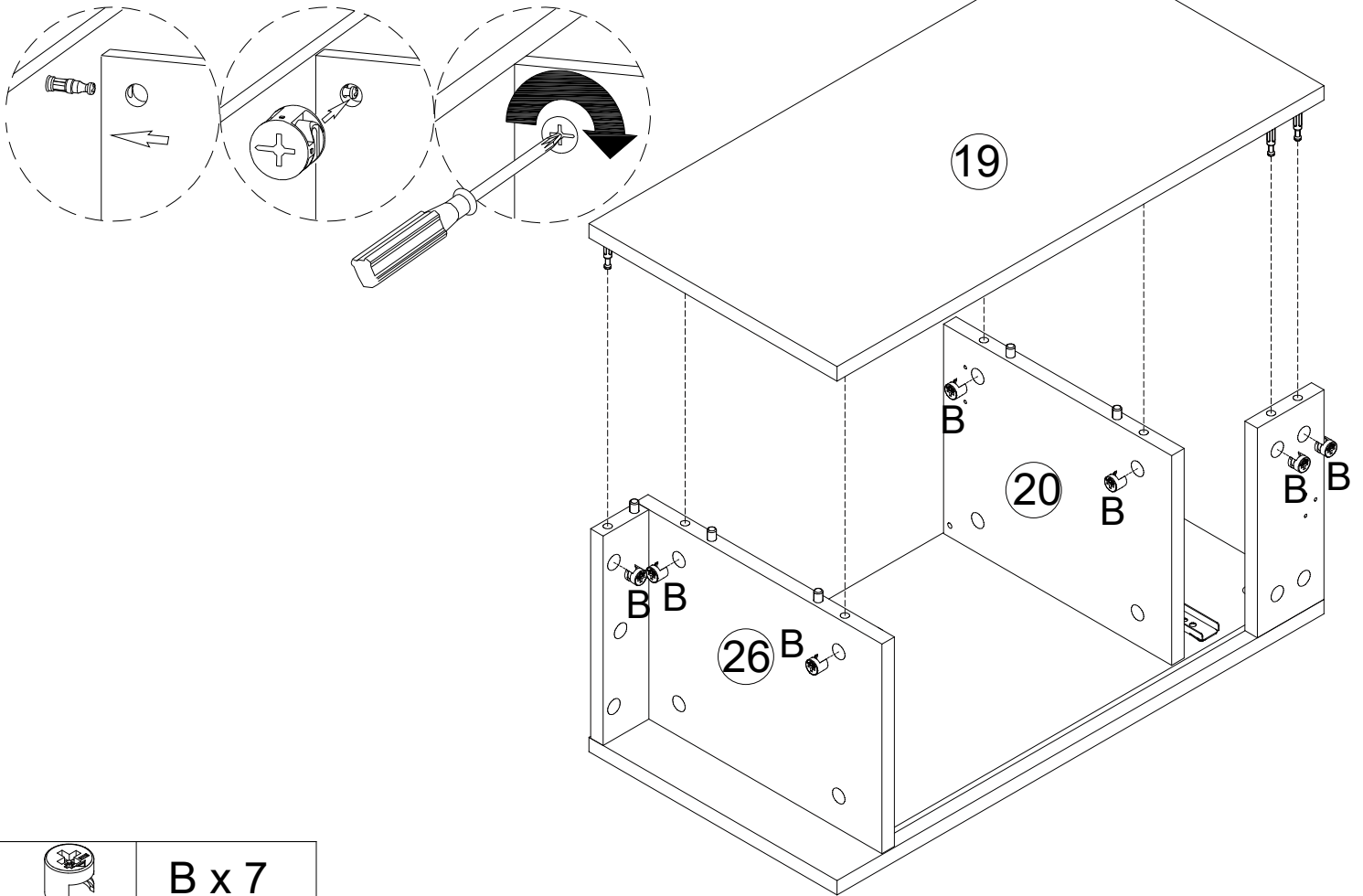
# STEP 8



# STEP 9

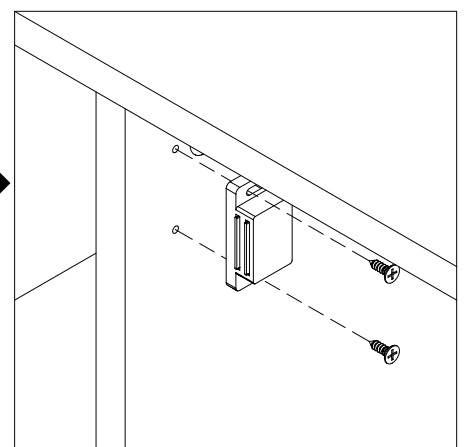
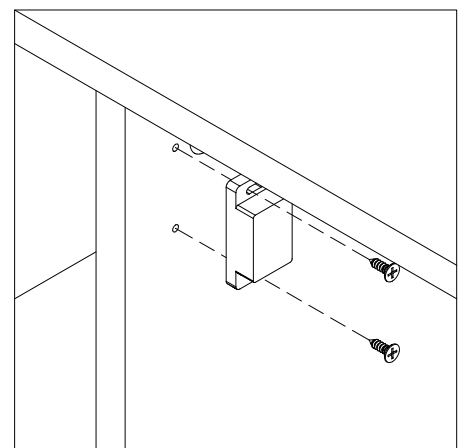
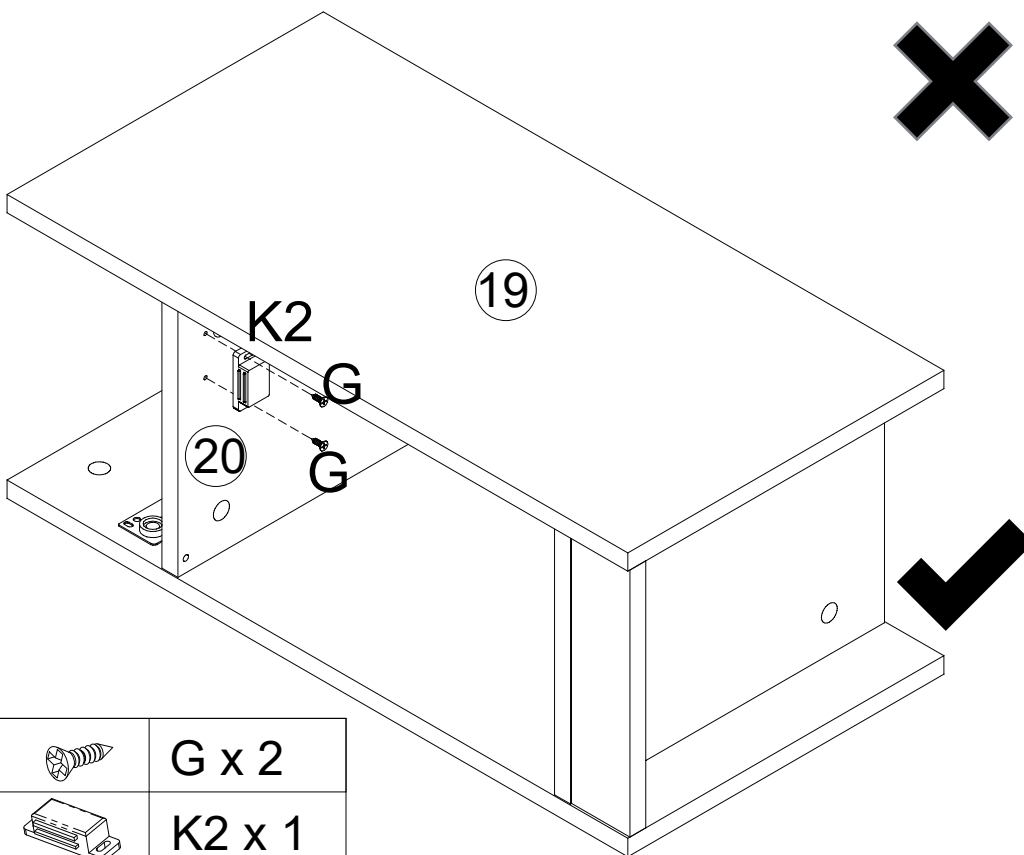


# STEP 10

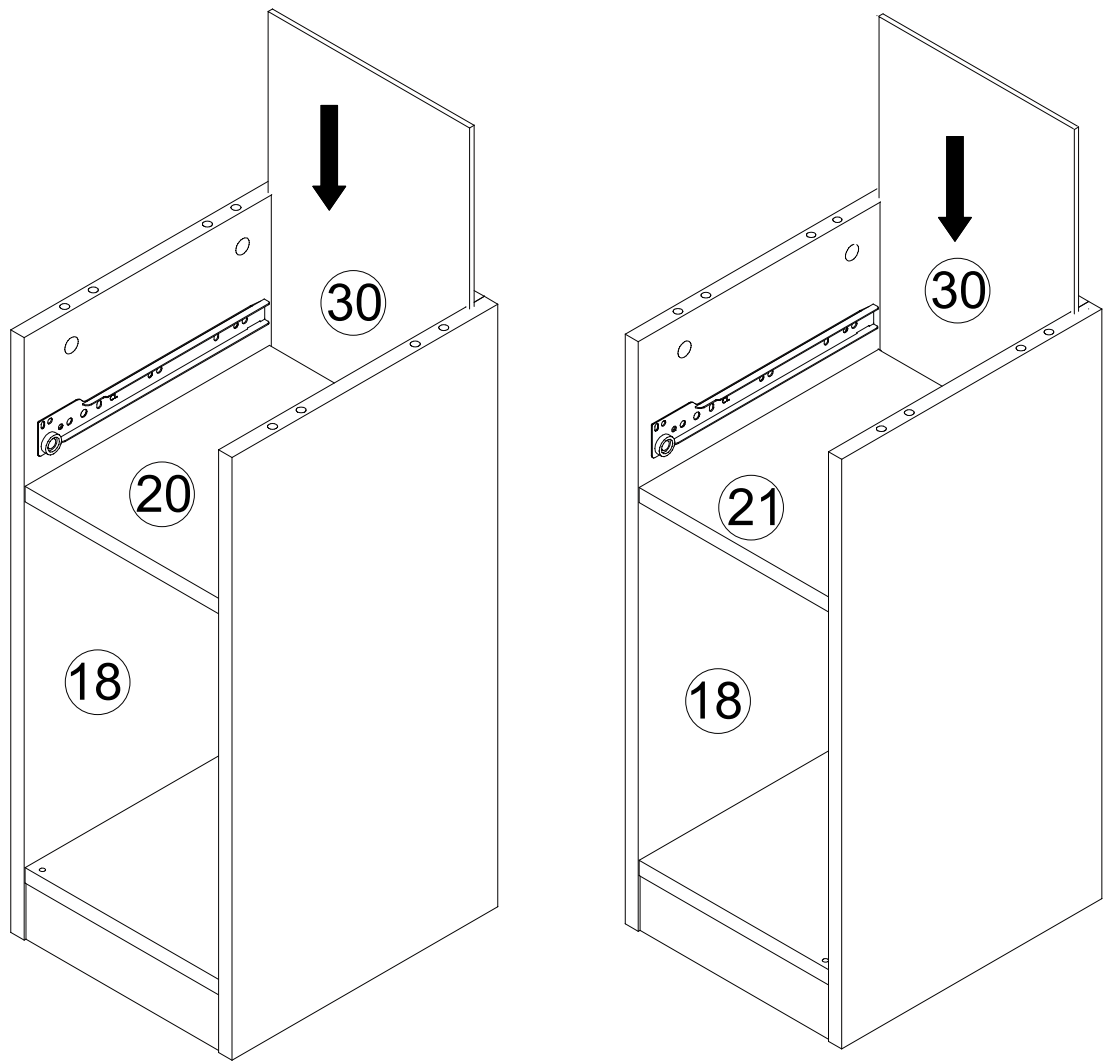


# STEP 11

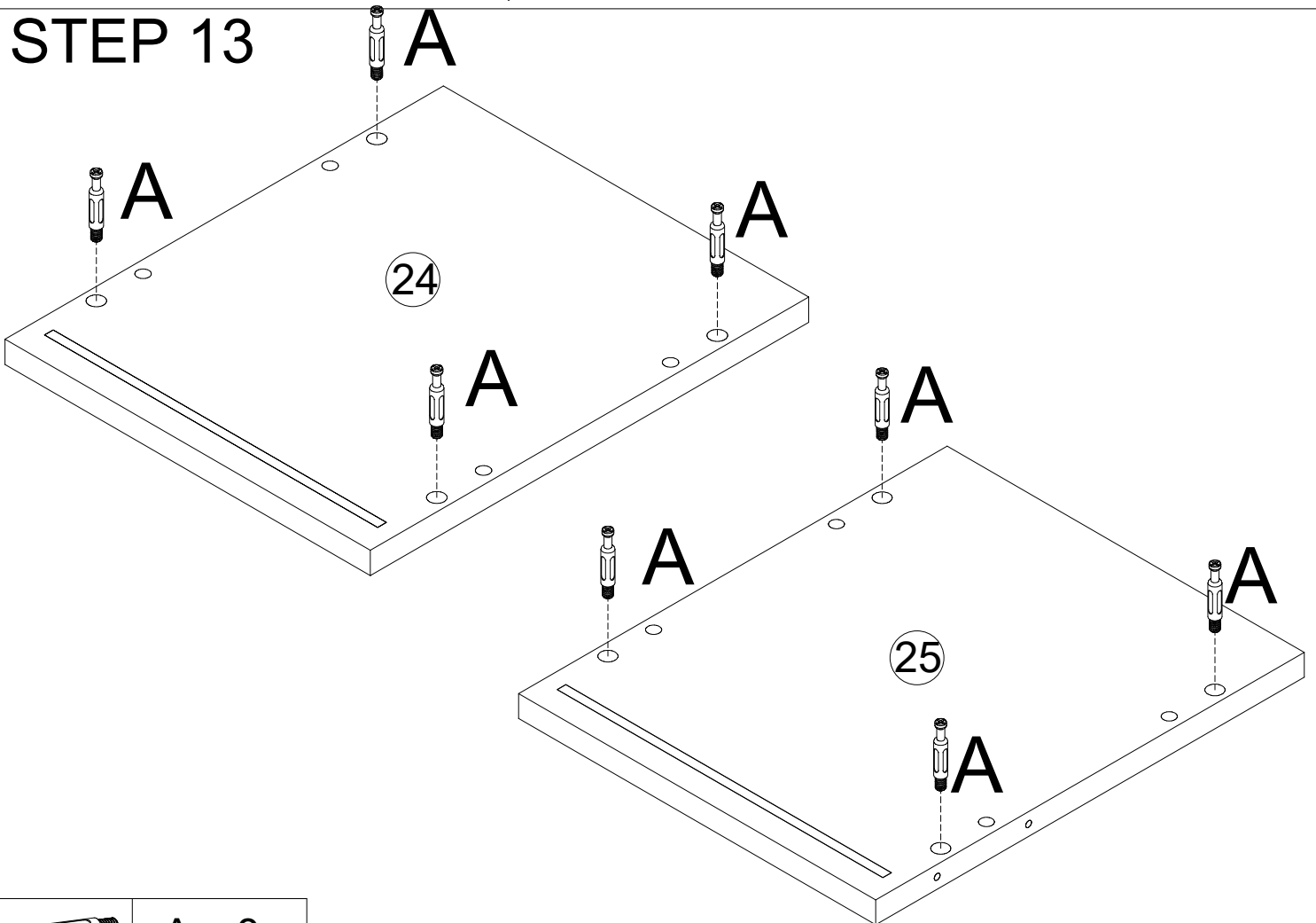
Please refer to the example image and pay attention to the installation direction of the magnetic door holder



# STEP 12

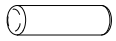
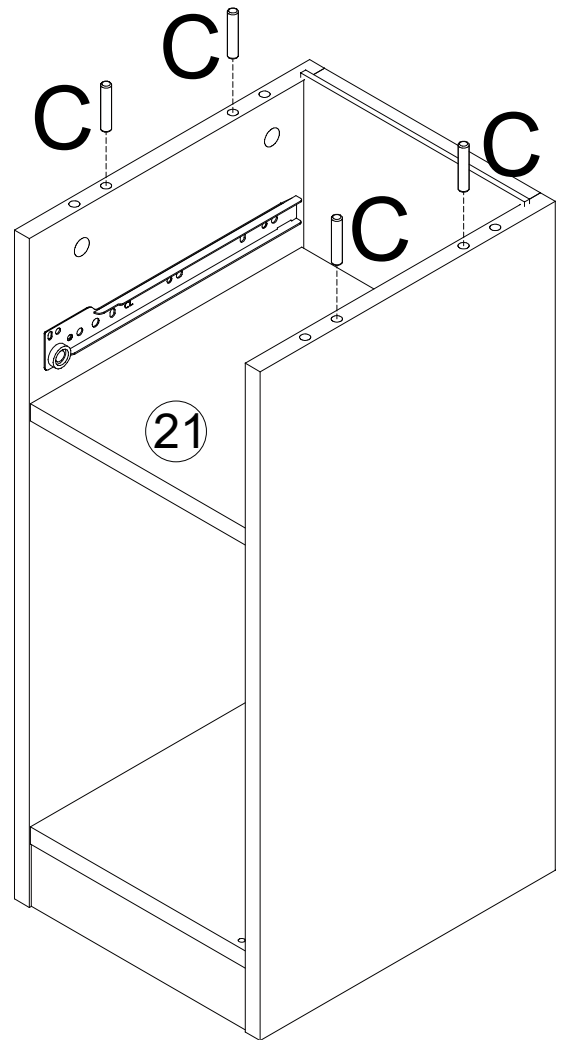
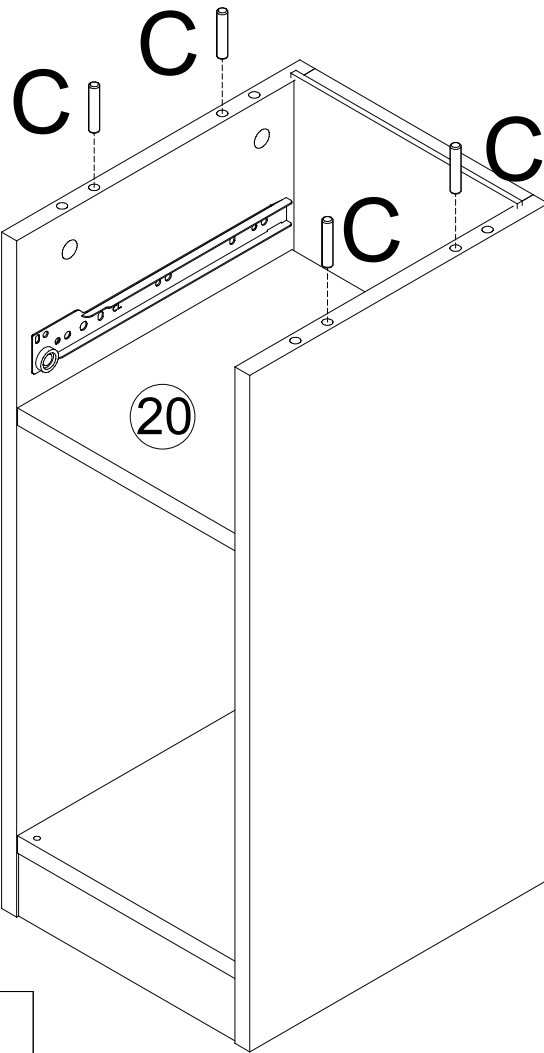


# STEP 13



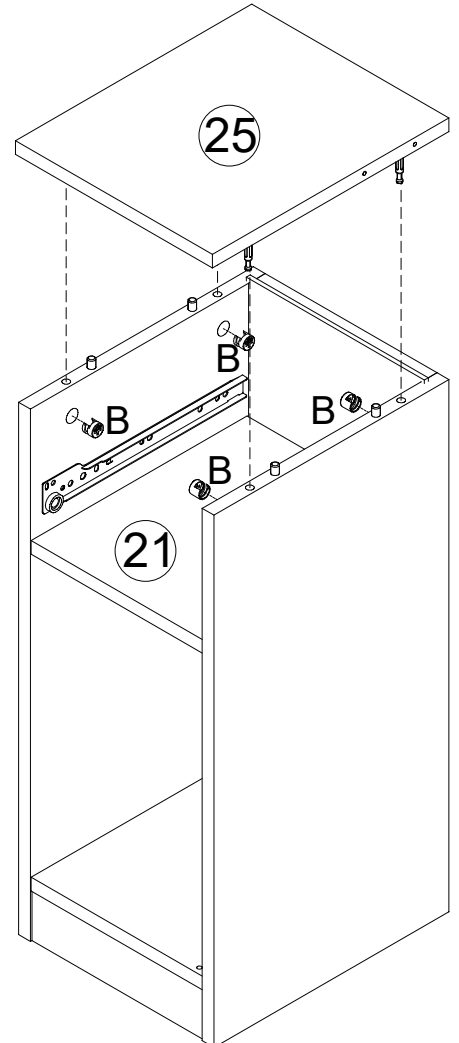
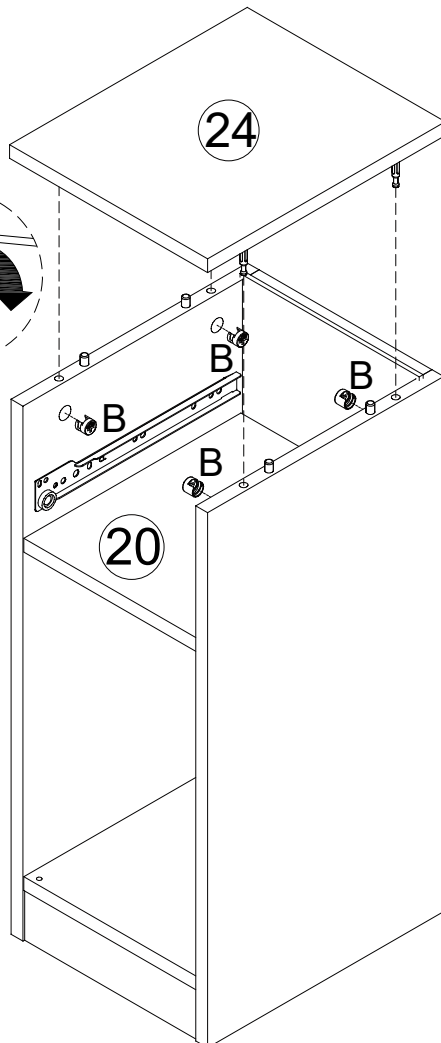
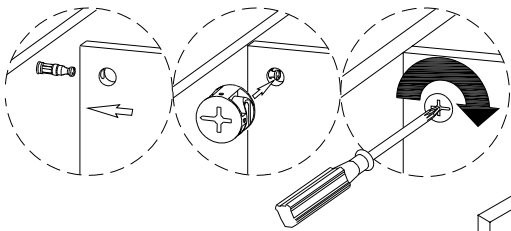
A x 8

# STEP 14



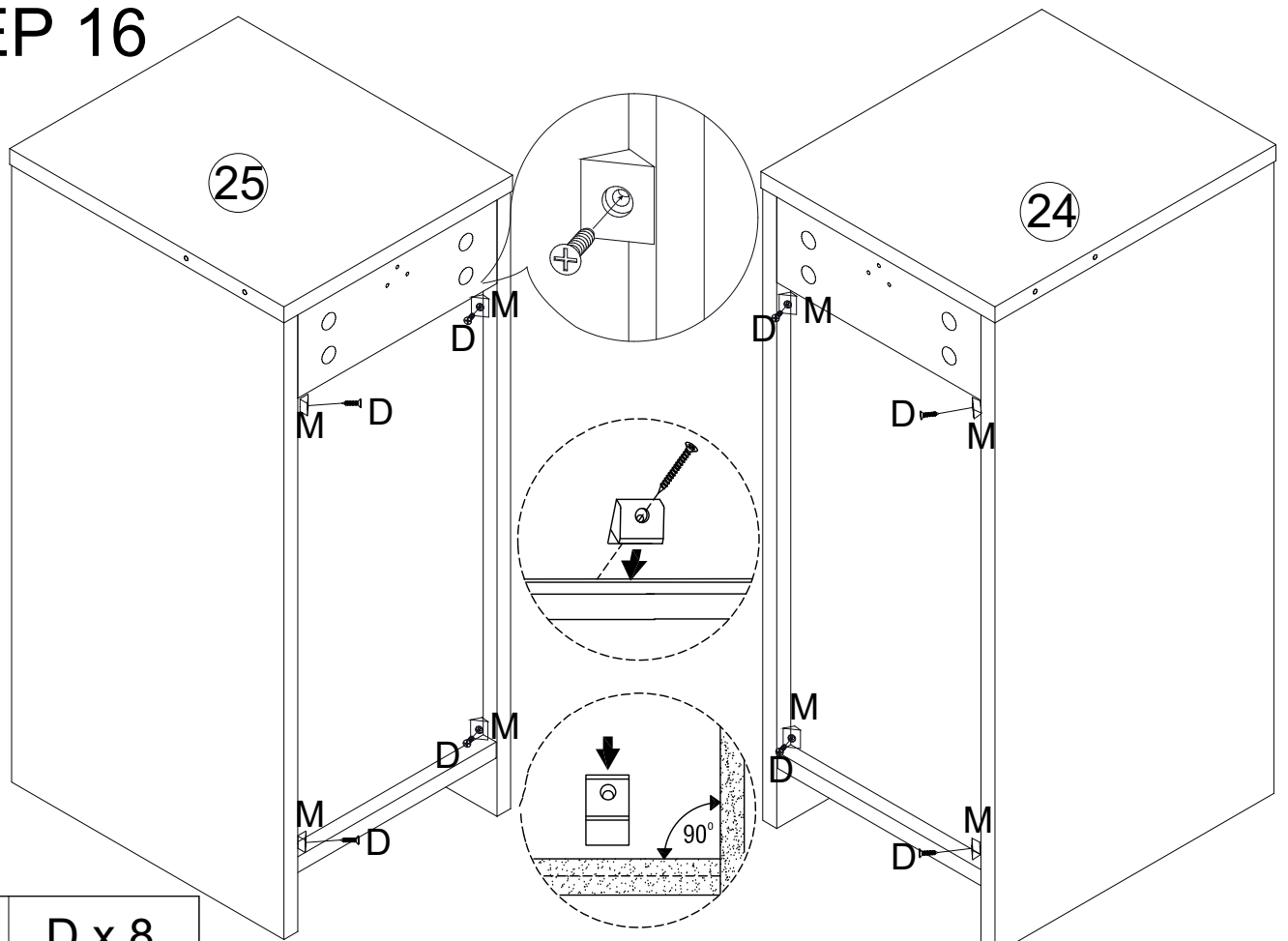
C x 8


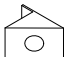
# STEP 15



B x 8

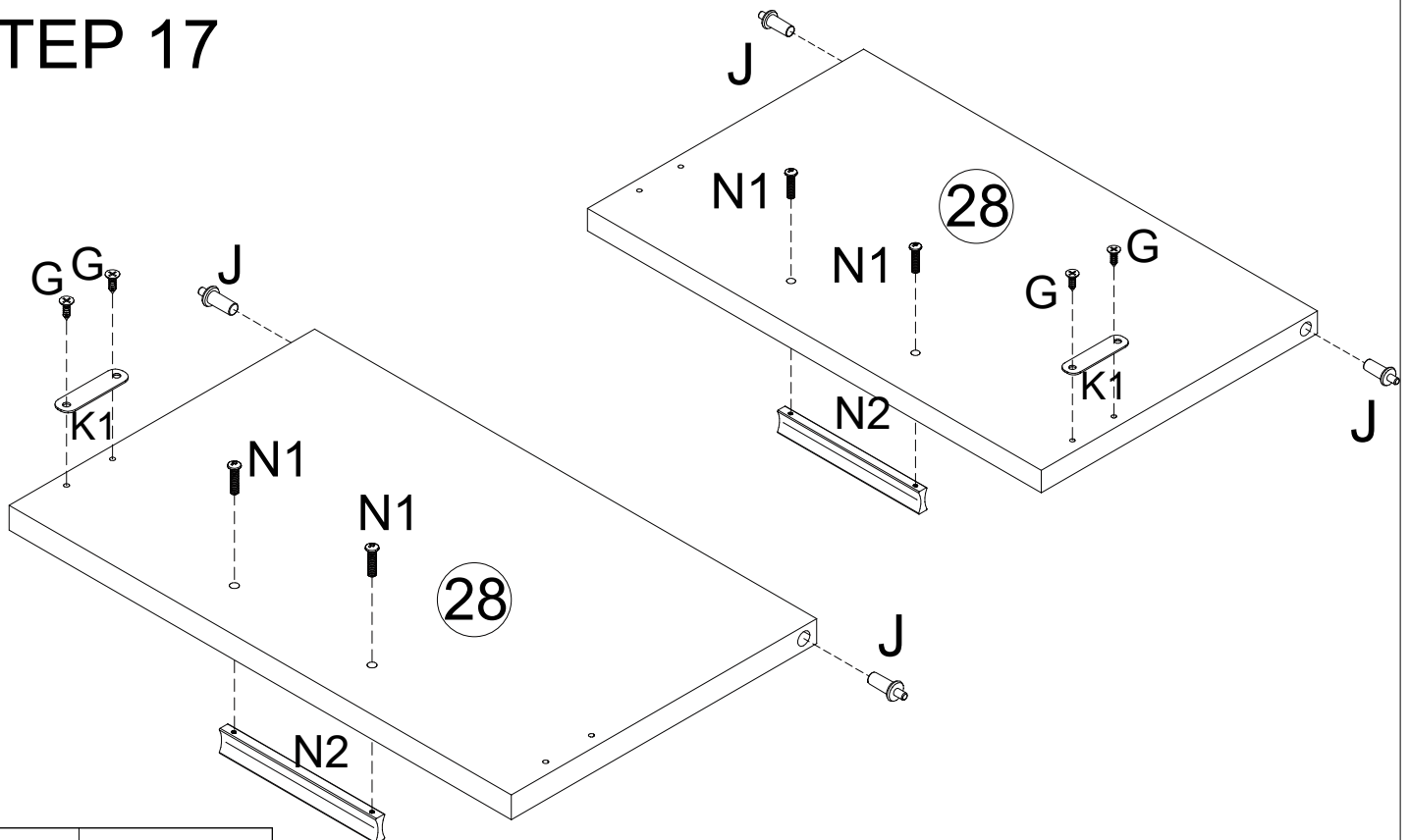
# STEP 16





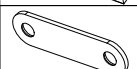


	D x 8
	M x 8

Note : The location of the plastic peices " M " can be arbitrary , mainlyto increase the stability of the cabinet .

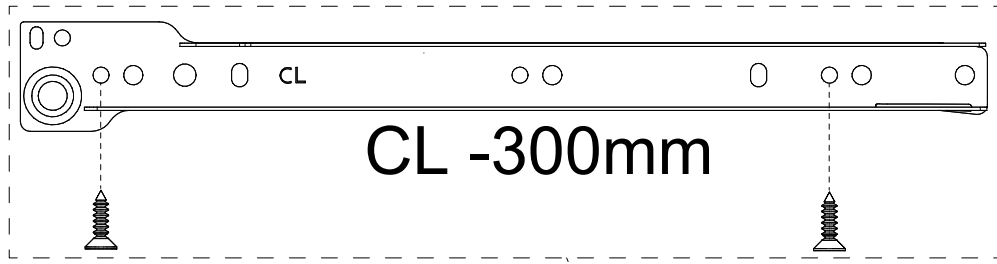
# STEP 17



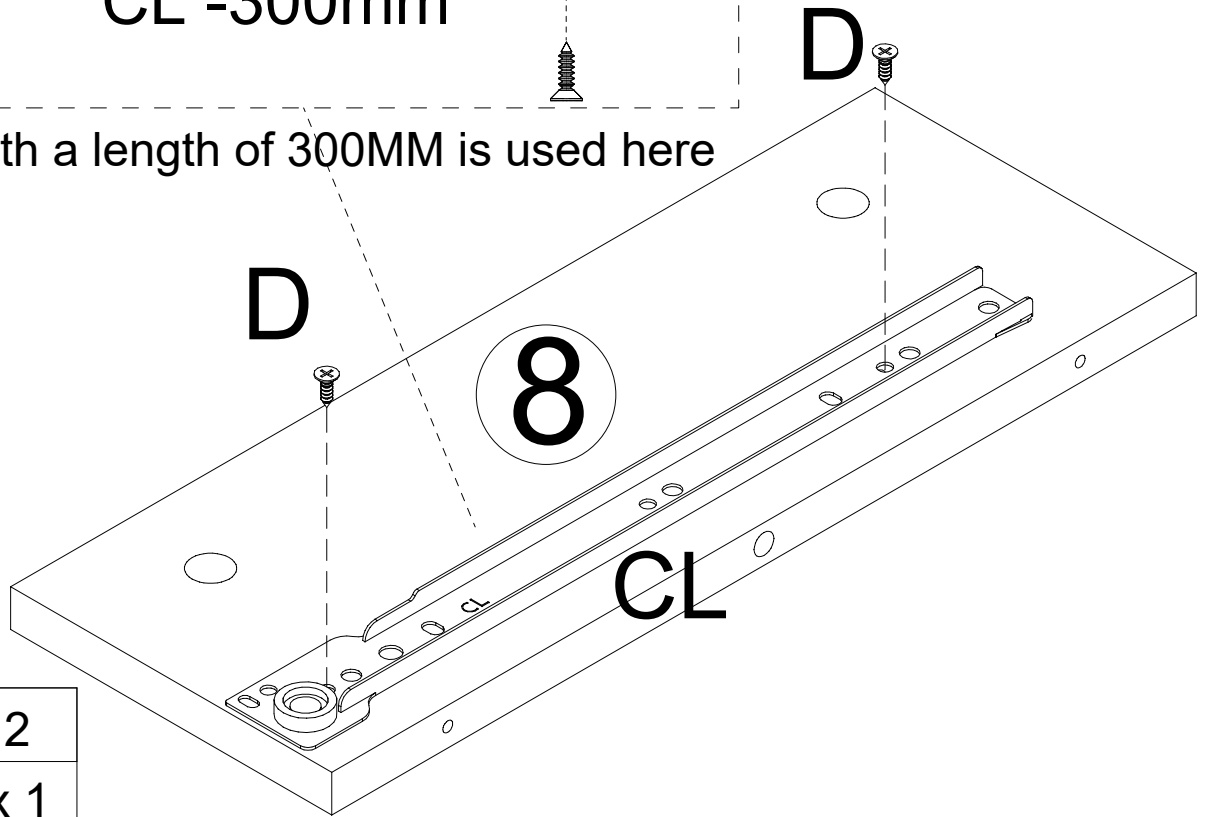
	N1 x 4		G x 4
	N2 x 2		J x 4
	K1 x 2		



Note: The handle installed here is labeled N.

# STEP 18

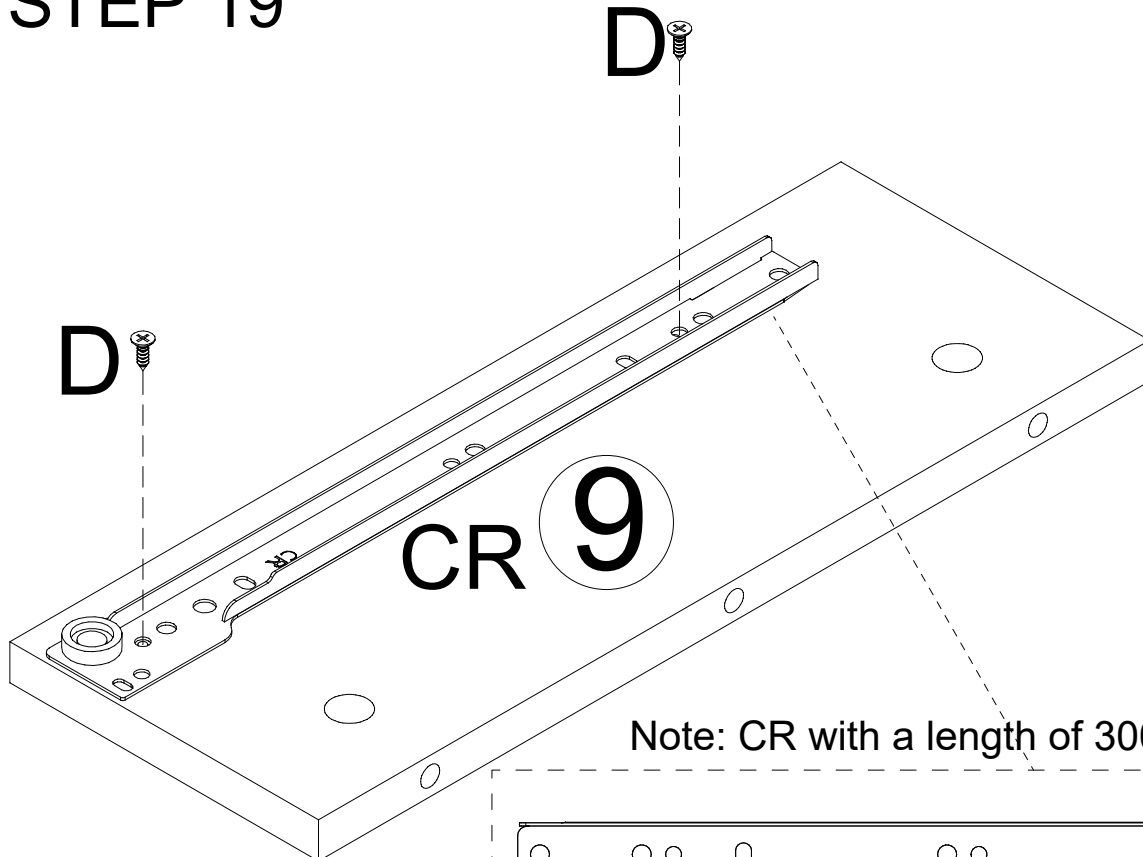


Note: CL with a length of 300MM is used here

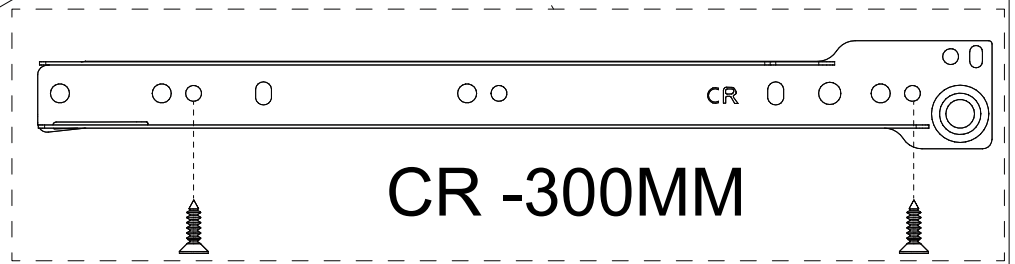


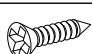
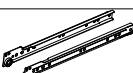
	D x 2
	CL x 1

# STEP 19

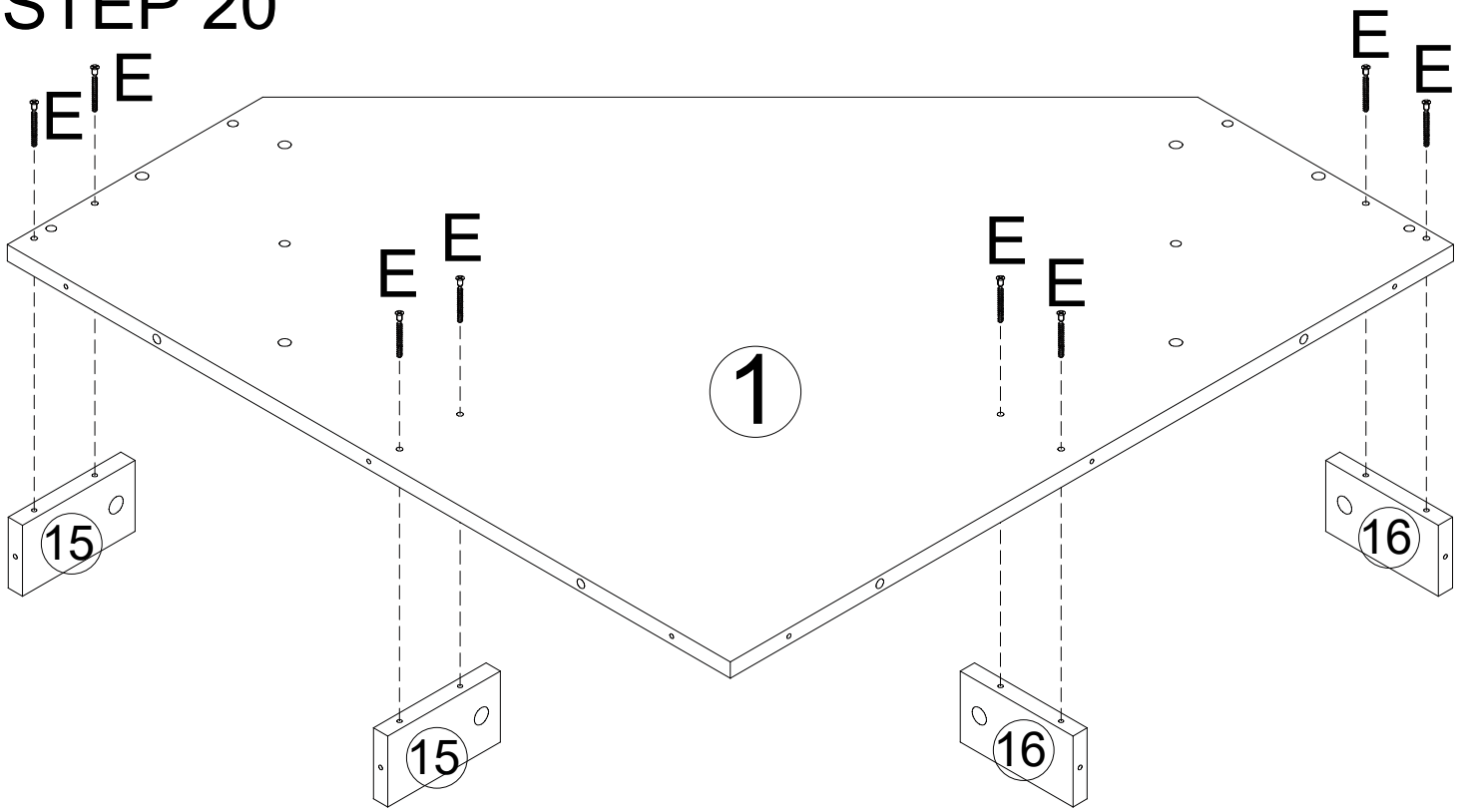


Note: CR with a length of 300MM is used here



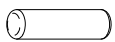
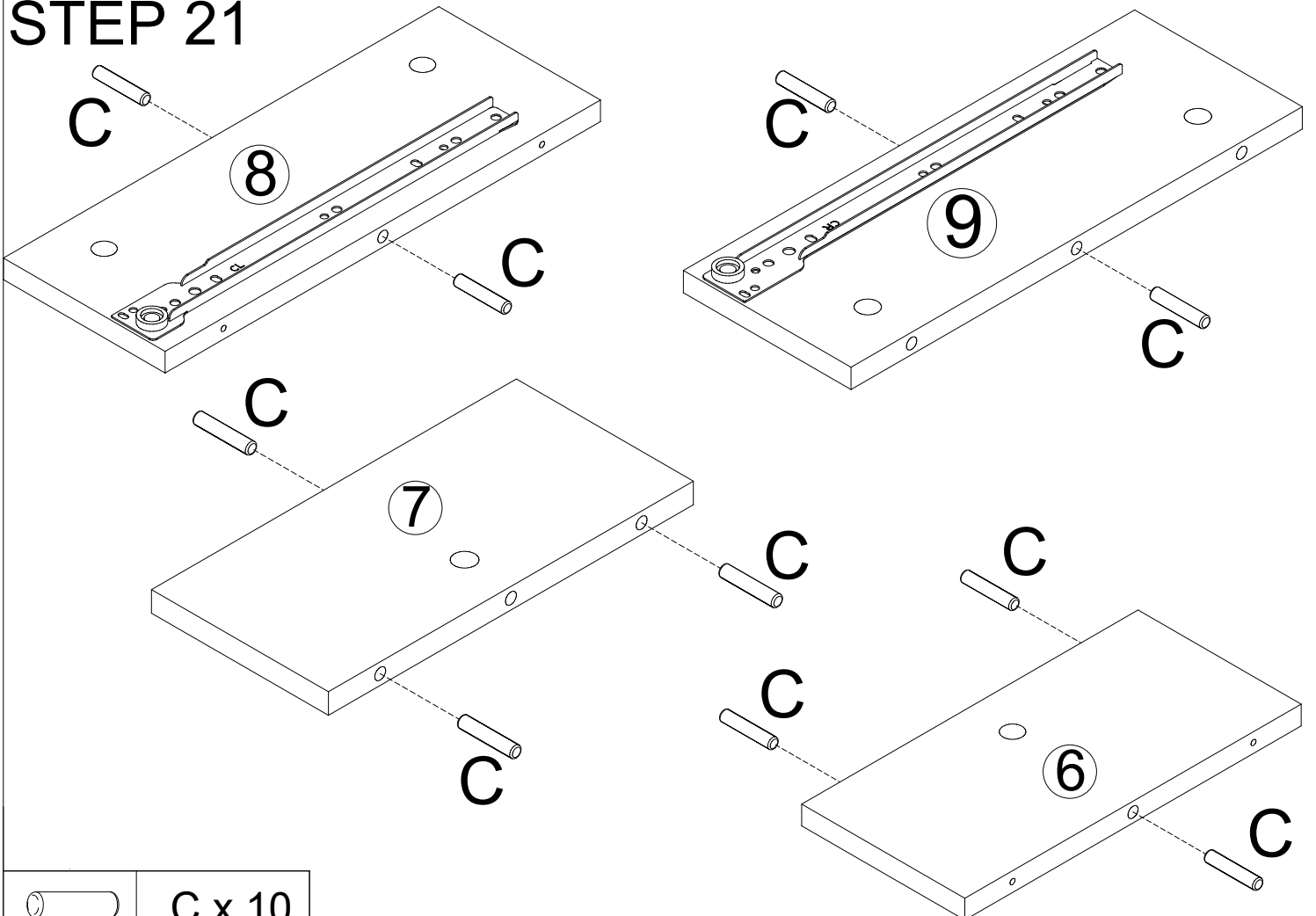
	D x 2
	CR x 1

# STEP 20



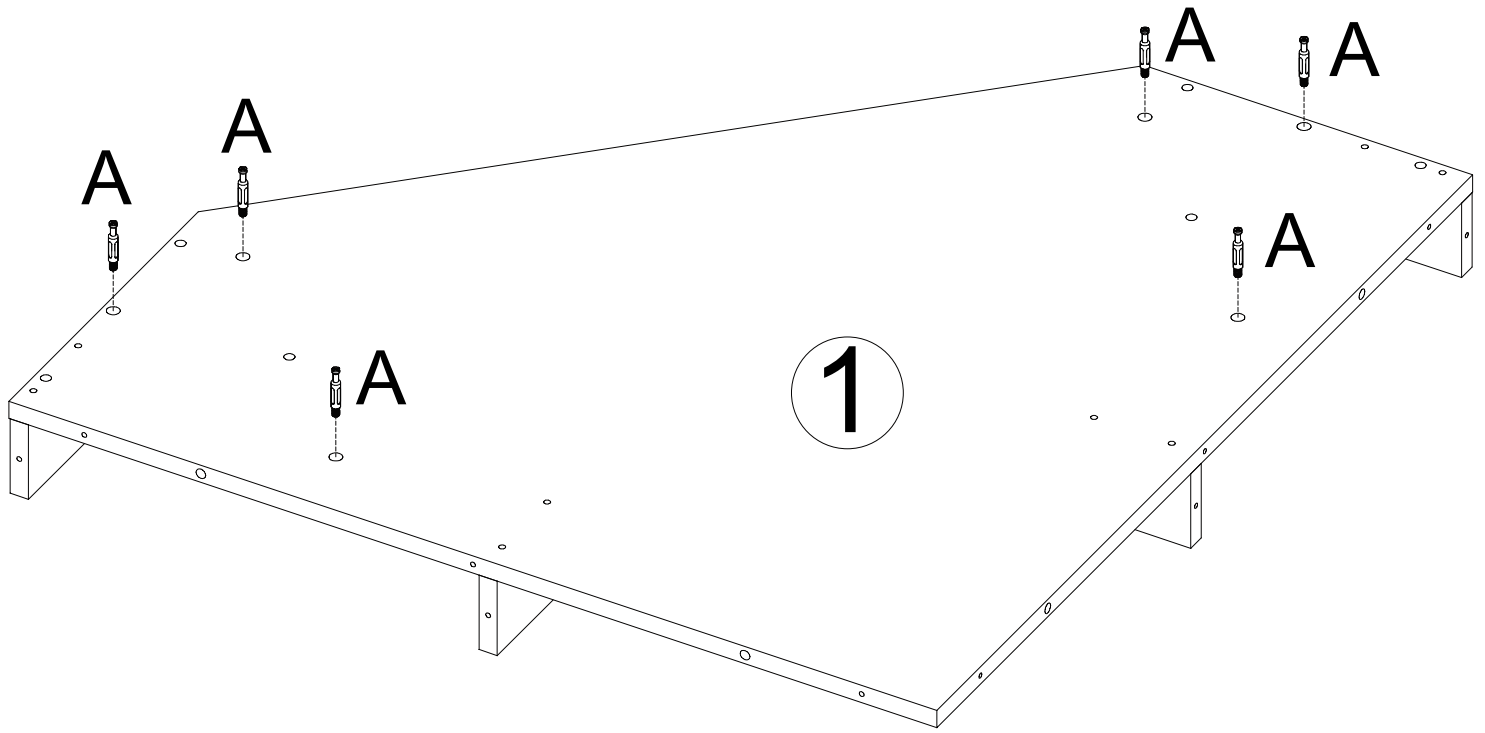
E x 8

# STEP 21



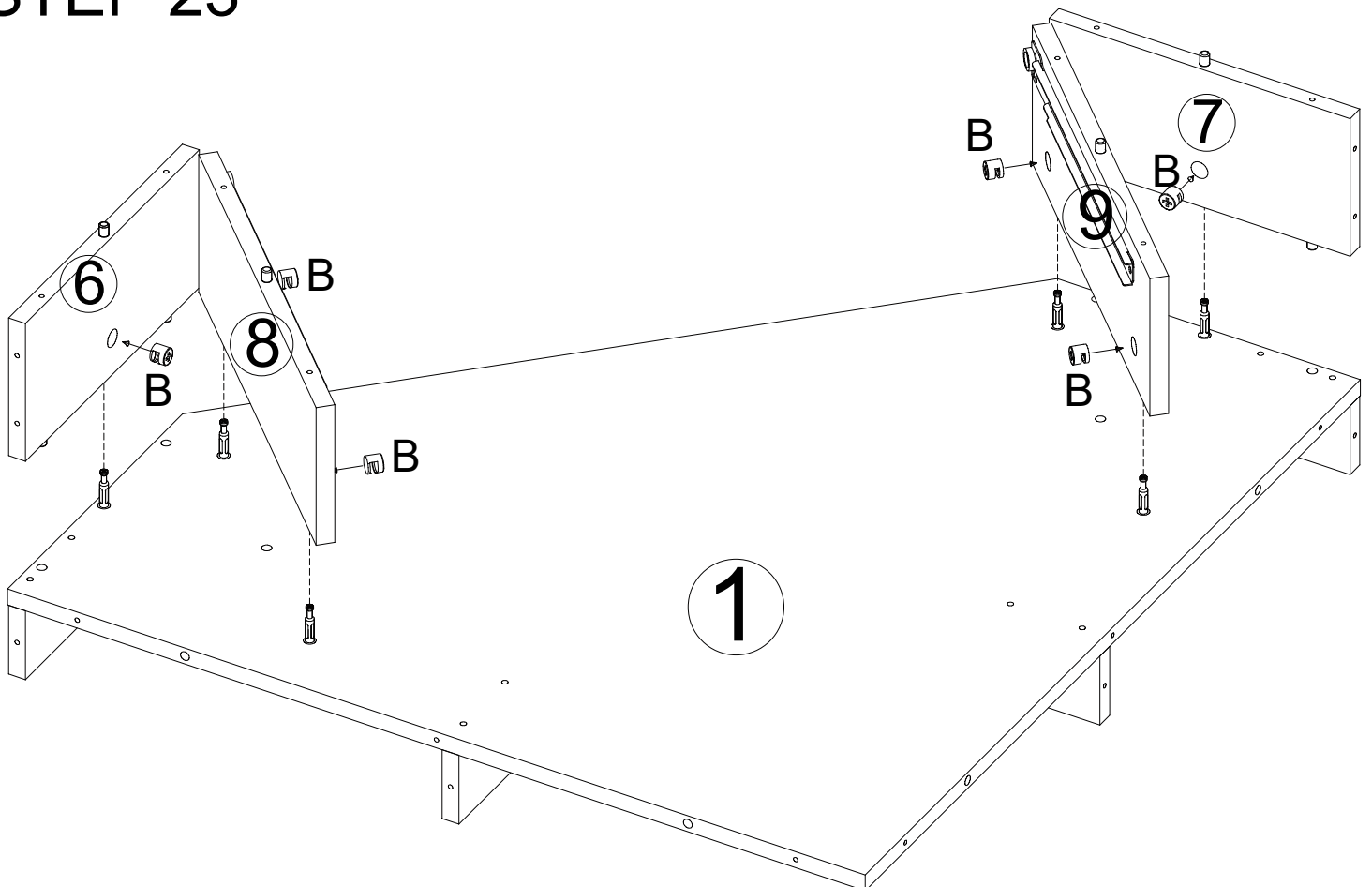
C x 10

# STEP 22



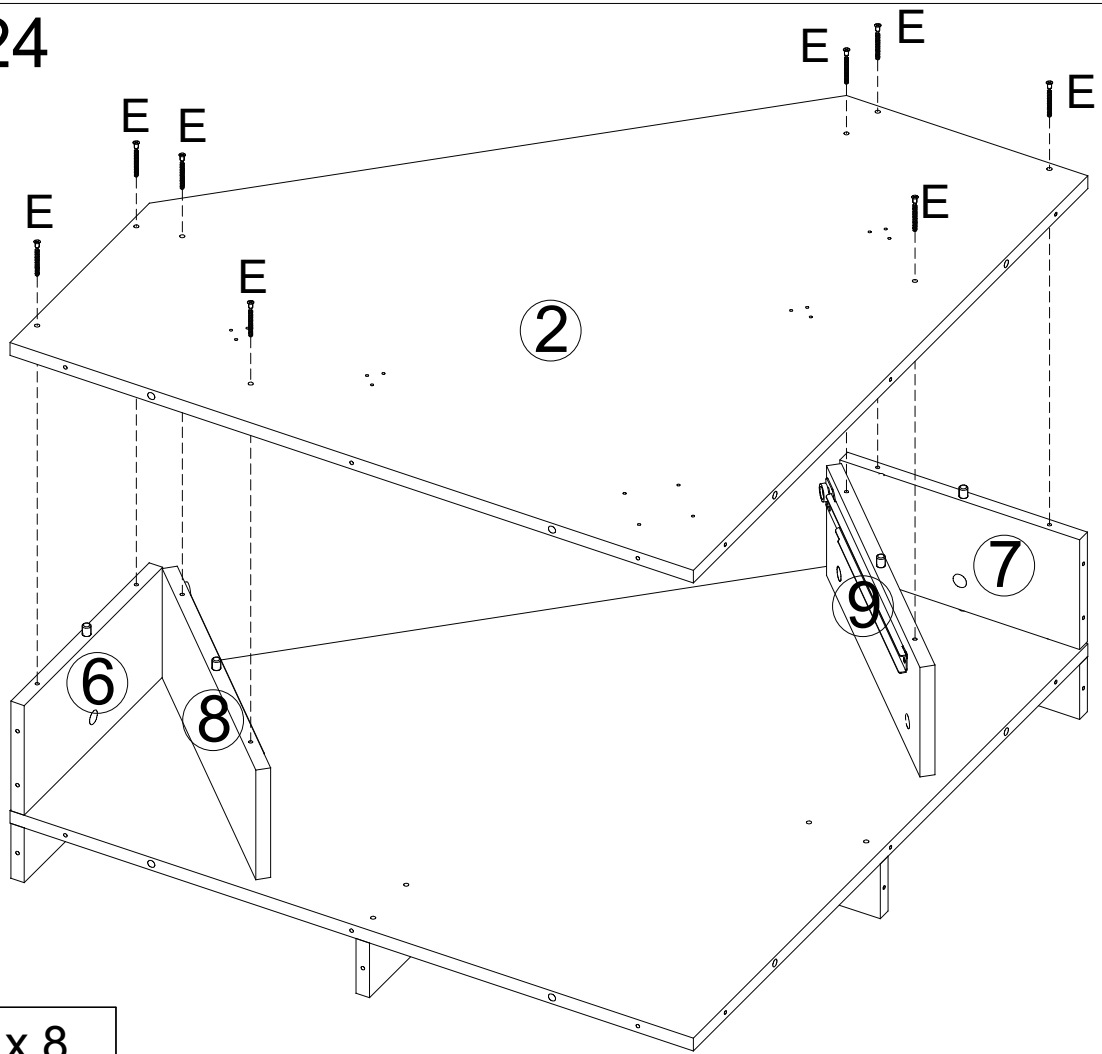
A x 6

# STEP 23



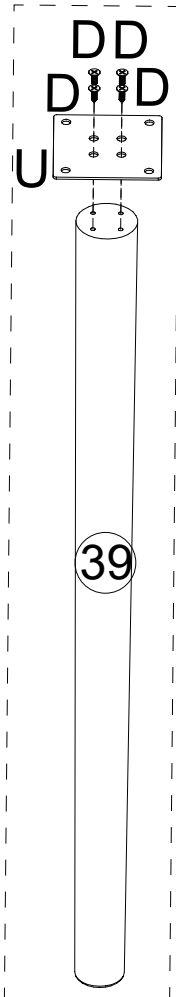
B x 6

# STEP 24

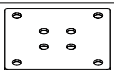


E x 8

# STEP 25



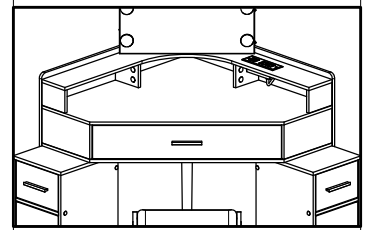
D x 4



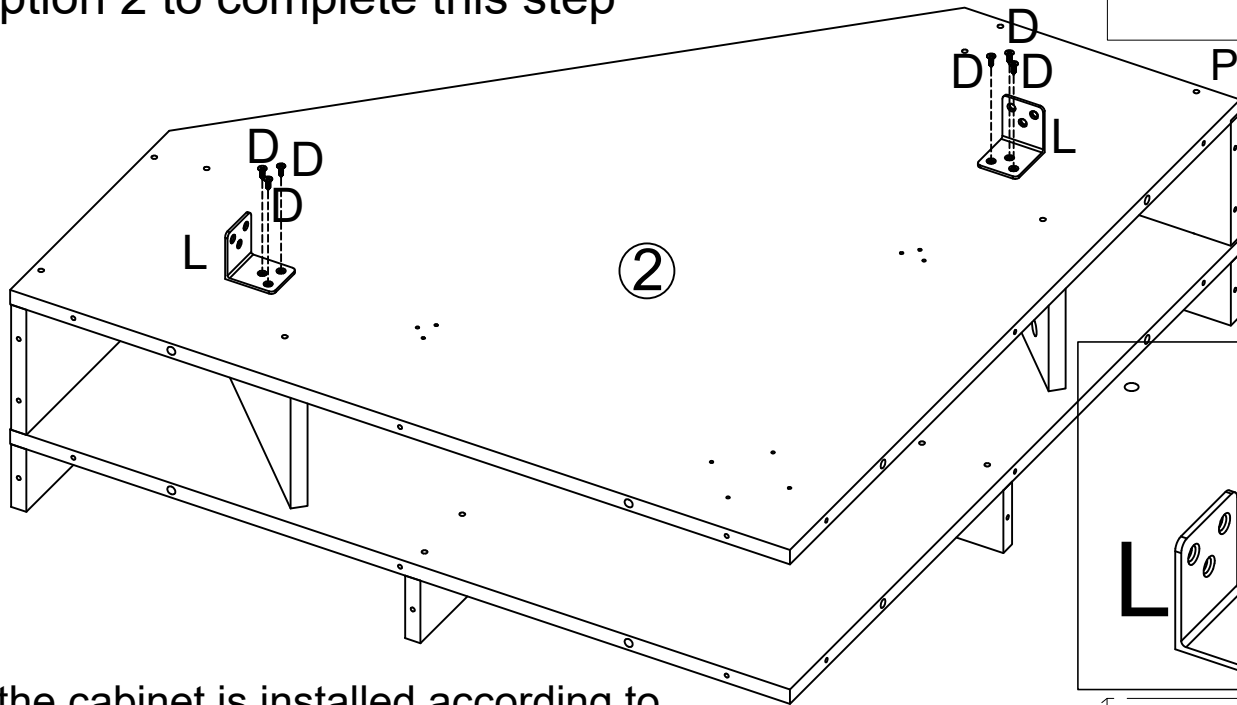
U x 1

# STEP 26

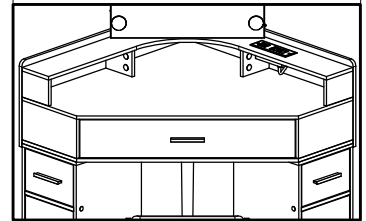
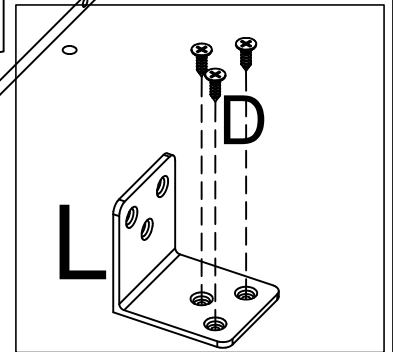
In this step, you can choose to install the cabinet in two different positions. Please select option 1 or option 2 to complete this step



Picture 1

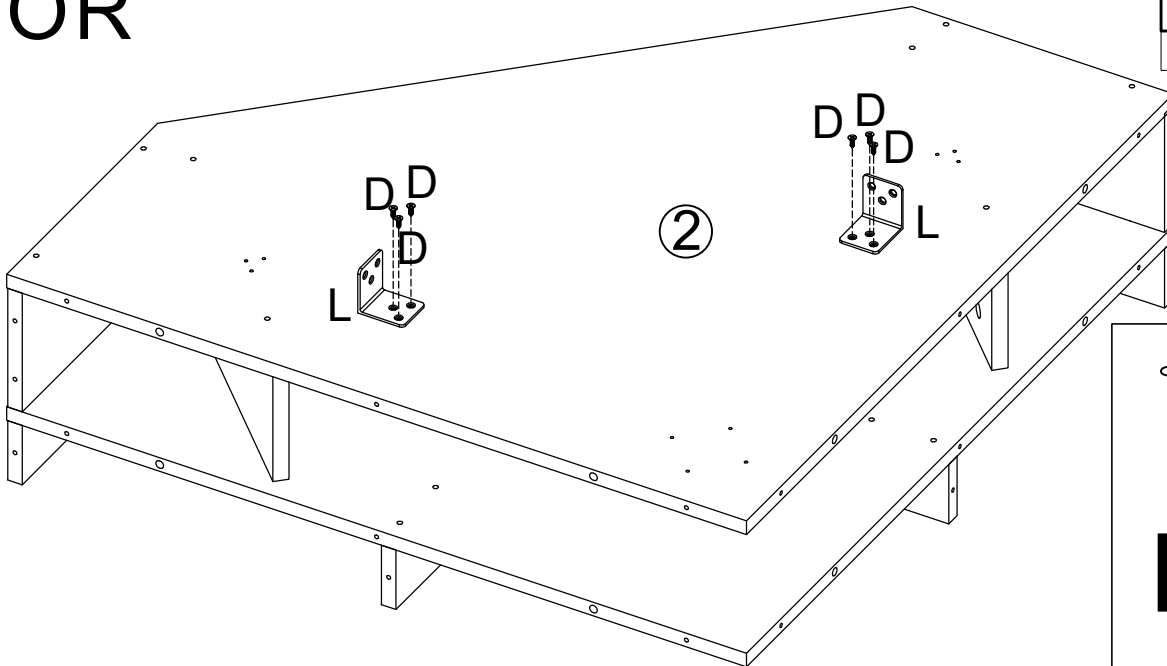


If the cabinet is installed according to option 1, the cabinets will extend part way beyond the top of the dressing table.(as shown in the right effect picture 1).

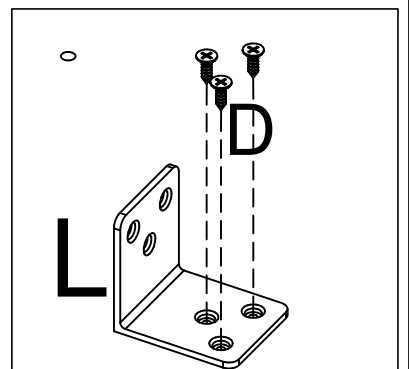



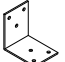
Picture 2

## OR

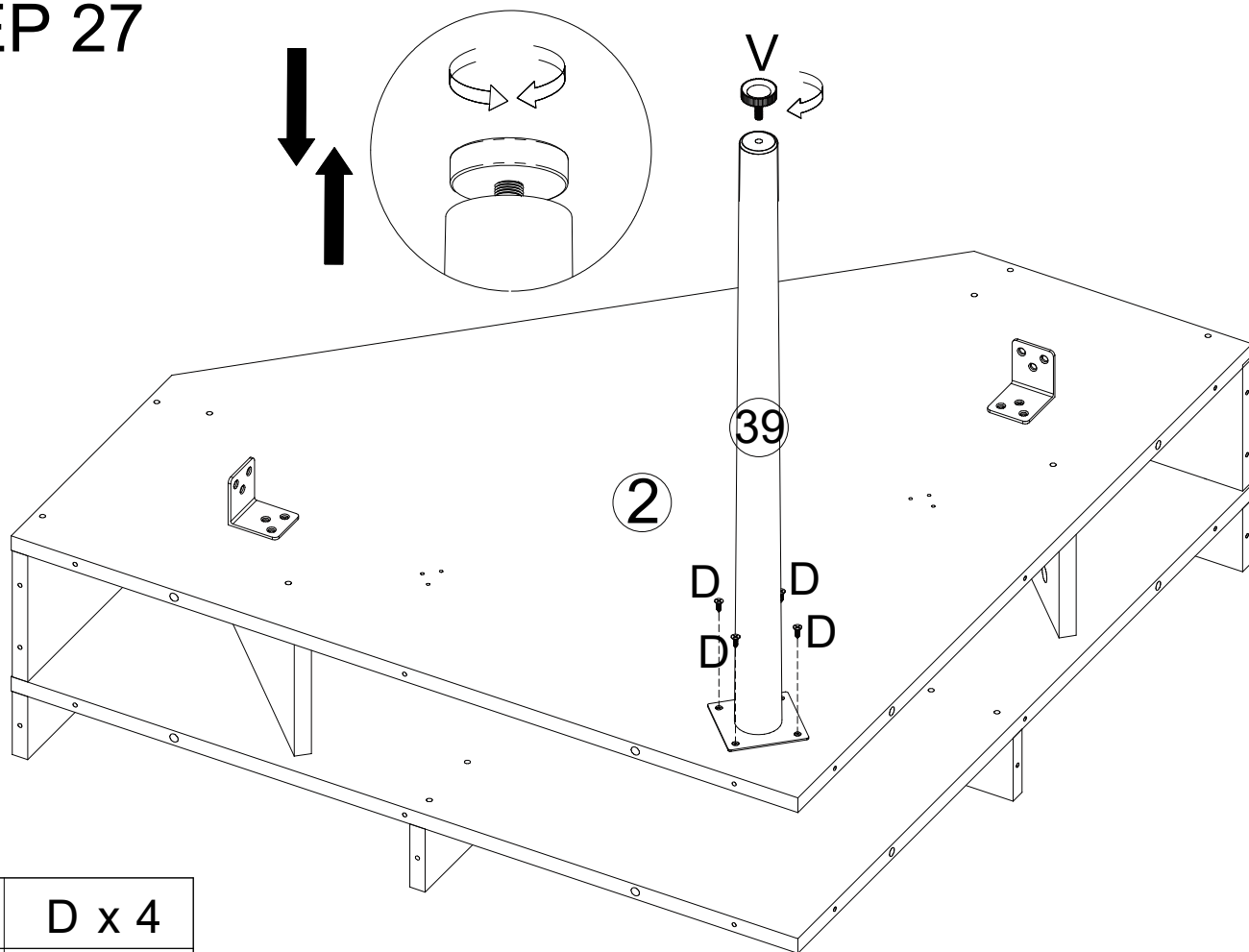



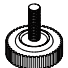
If the cabinet is installed according to option 2, the cabinet will be flush with the vanity desktop (as shown in the right effect picture 2 ).



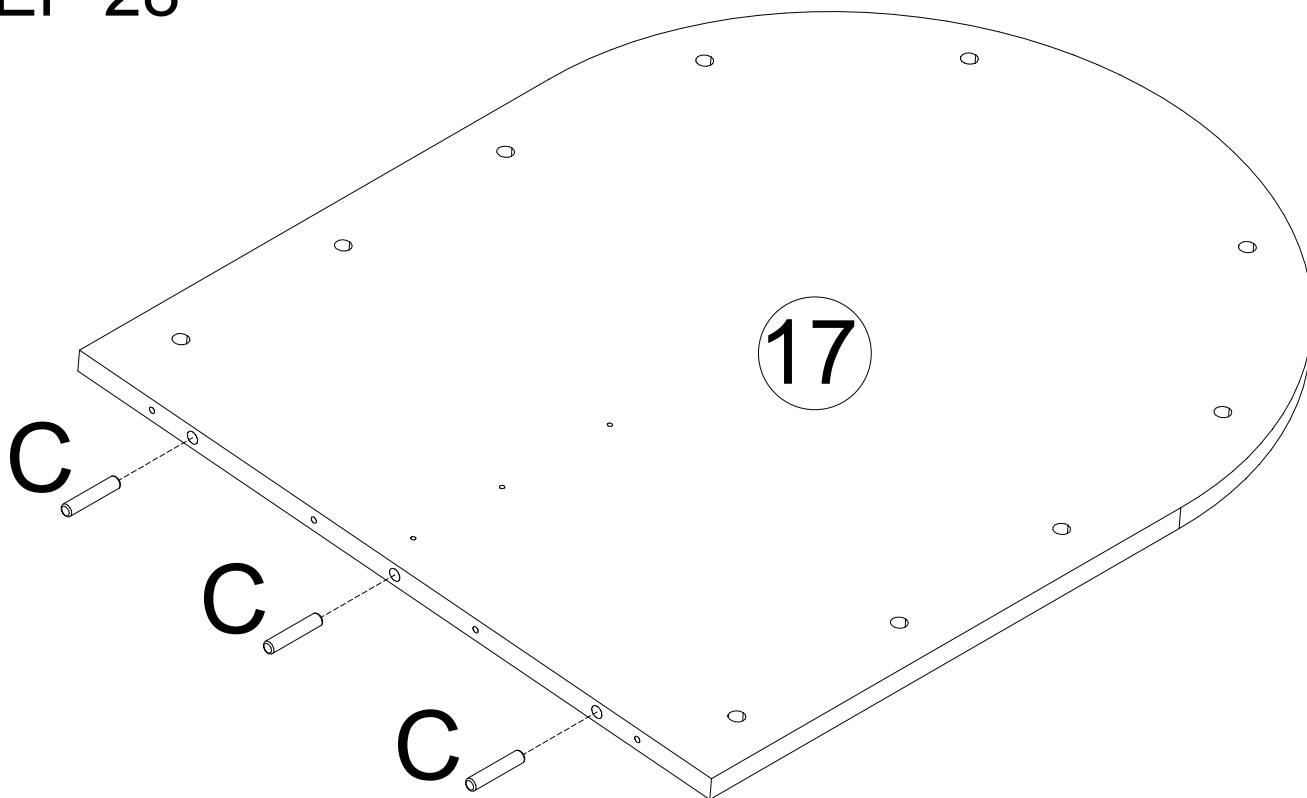
	D x 6
	L x 2

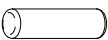
# STEP 27



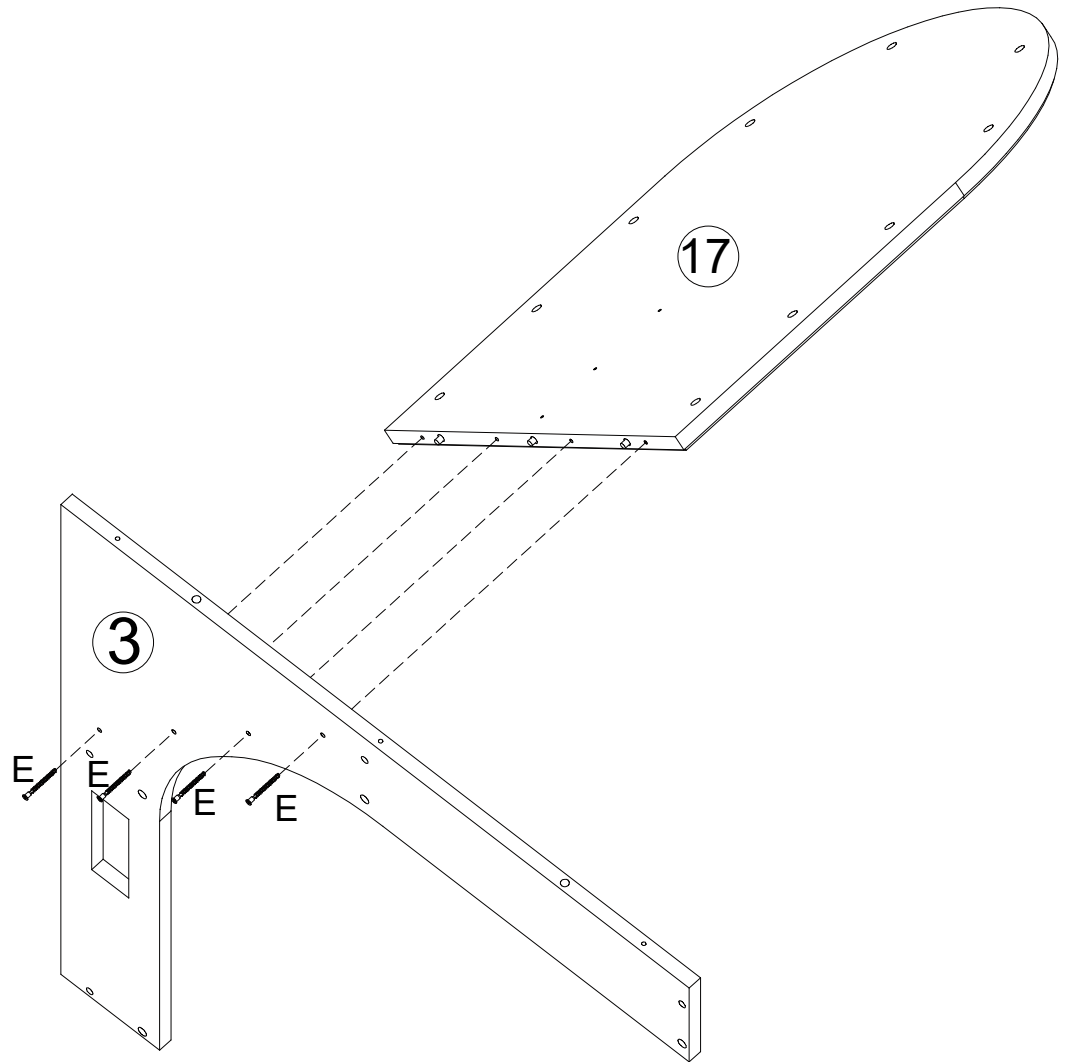
	D x 4
	V x 1

# STEP 28



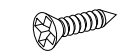
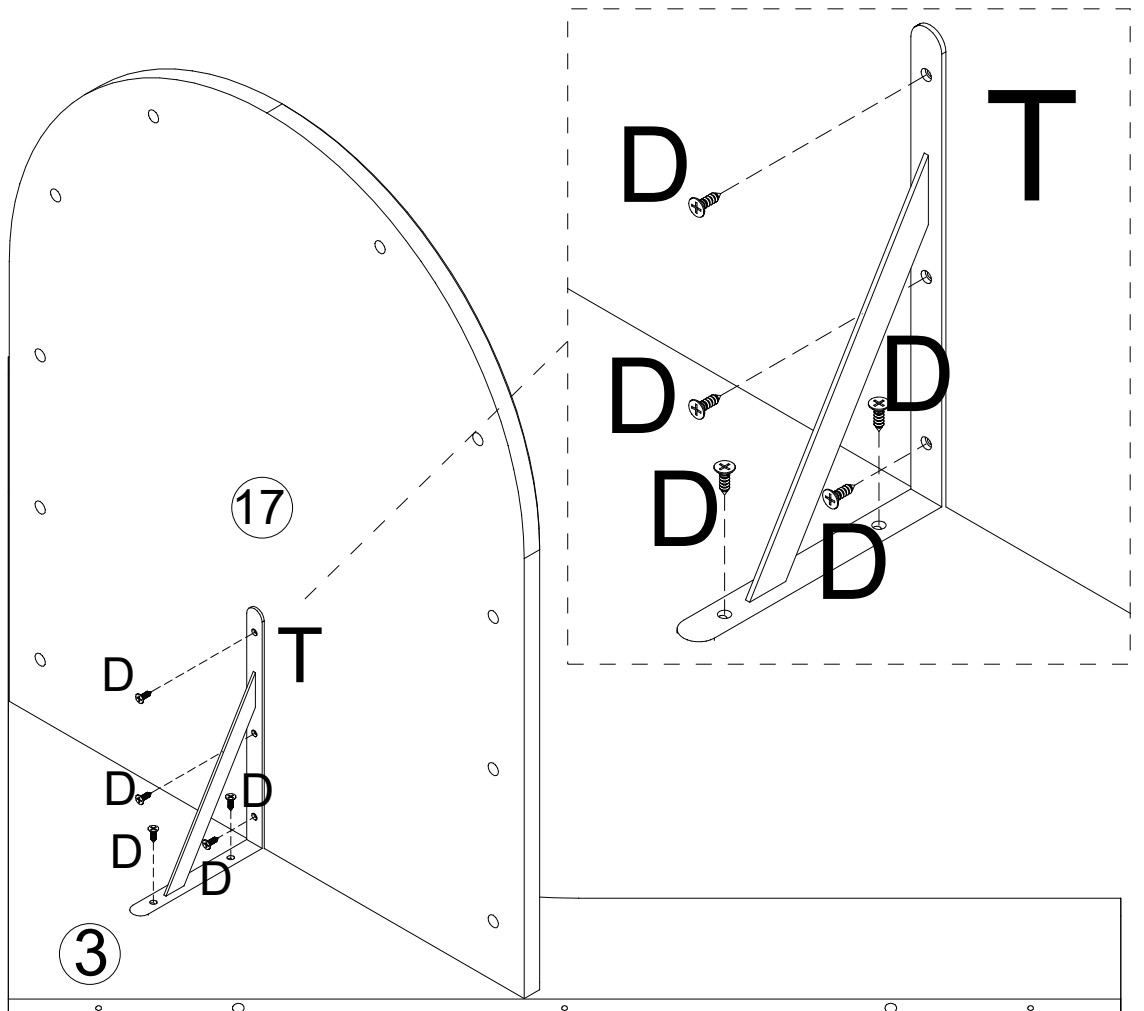
	C x 3
--	-------

# STEP 29

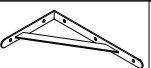


E x 4

# STEP 30

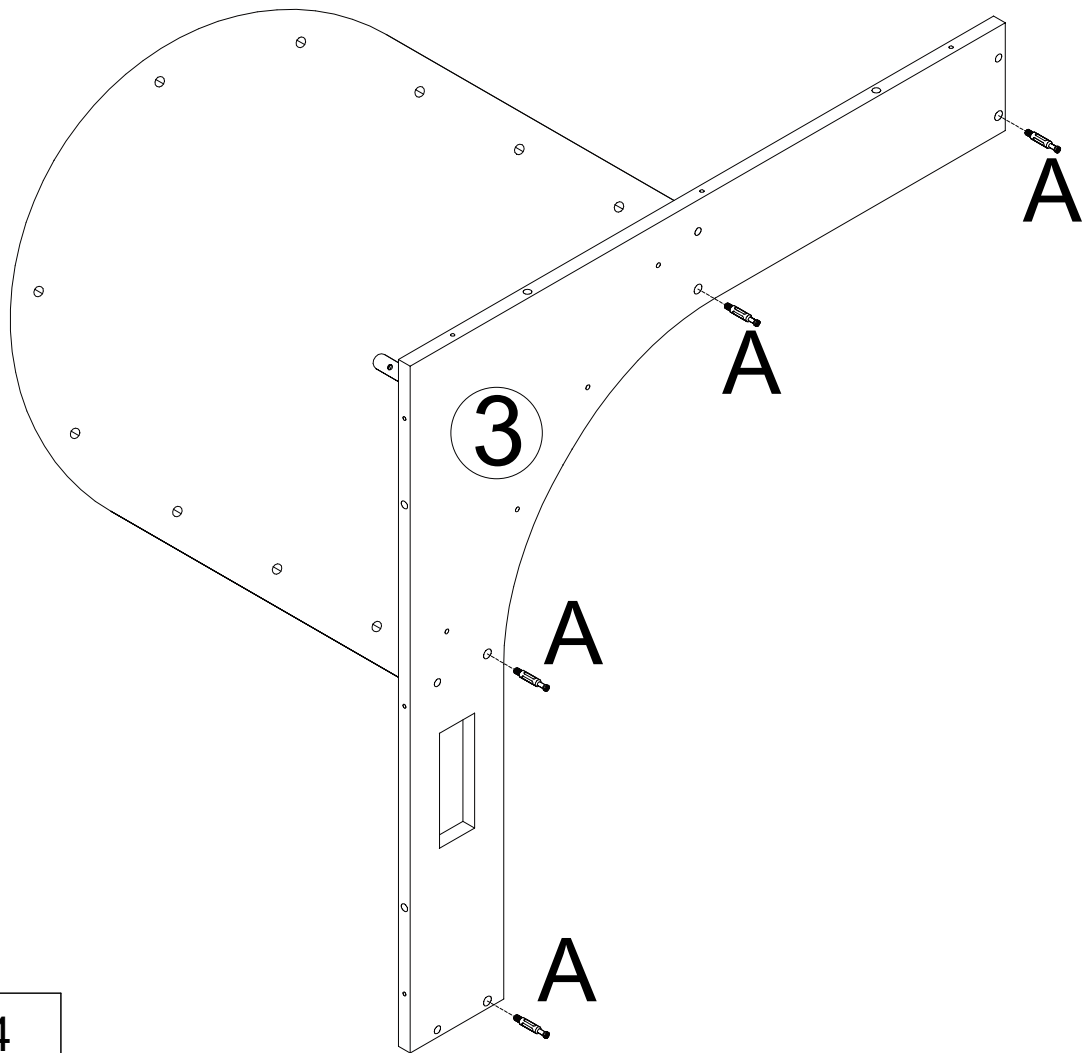


D x 5



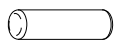
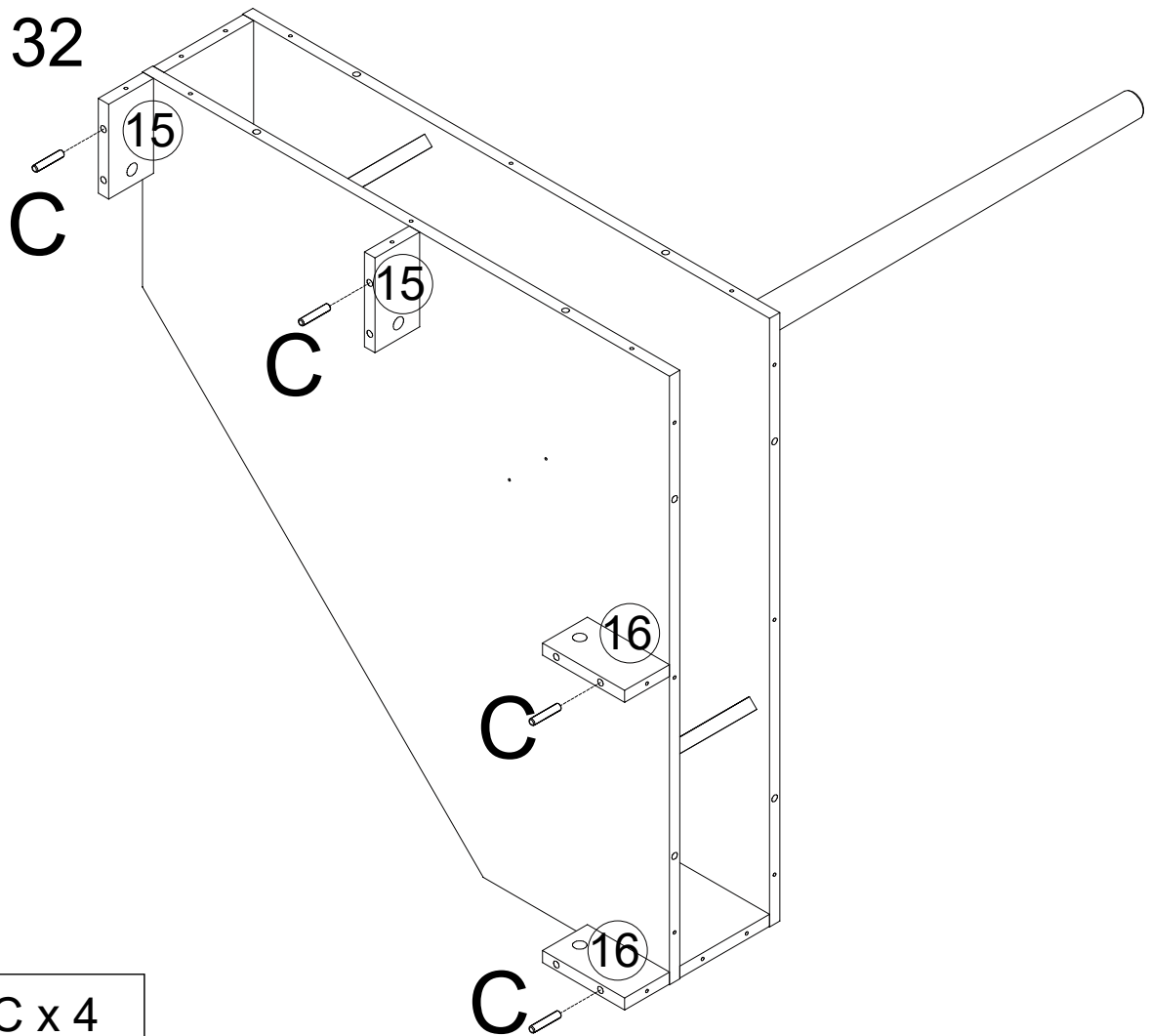
T x 1

# STEP 31



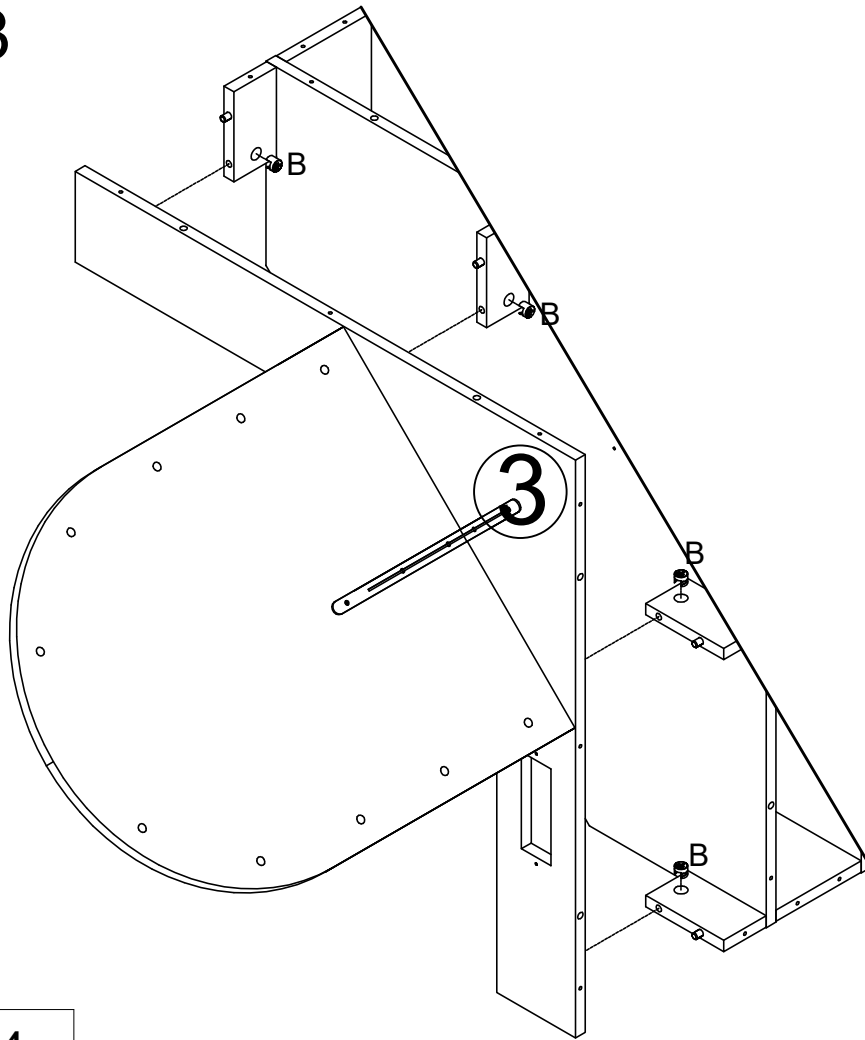
A x 4

# STEP 32



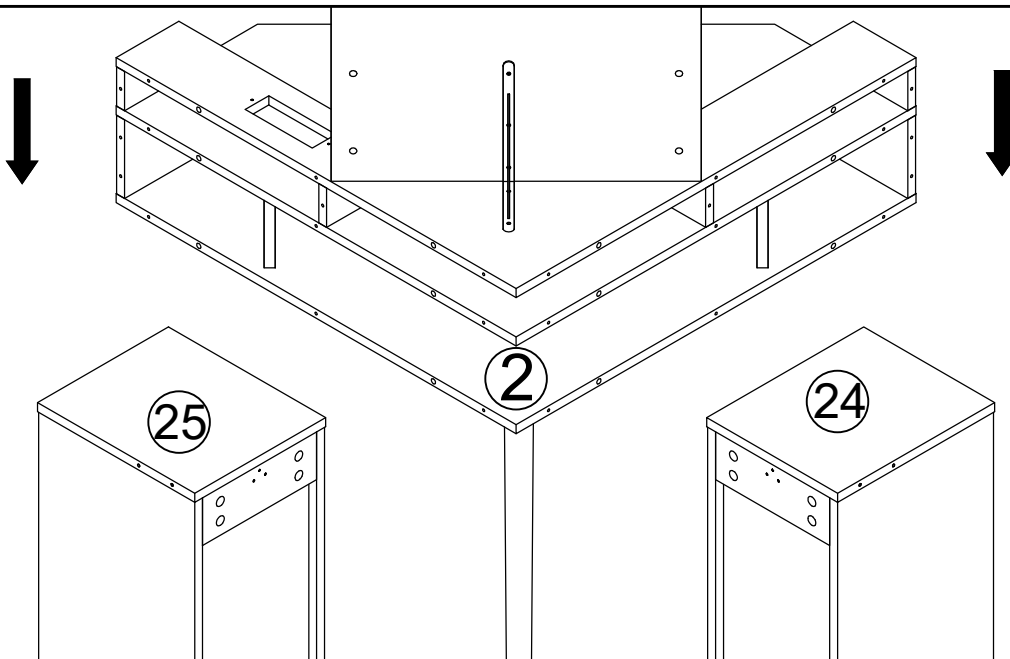
C x 4

# STEP 33

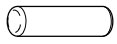
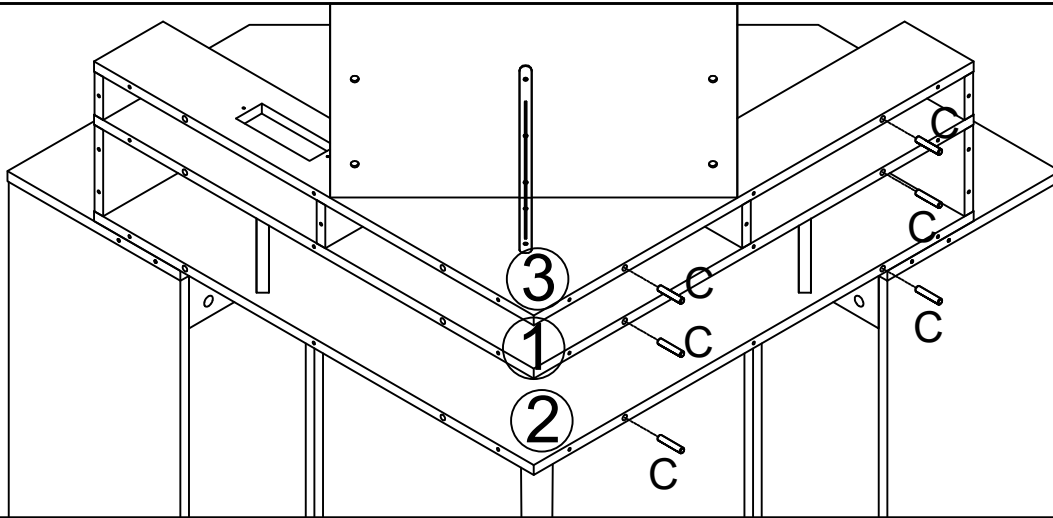


B x 4

# STEP 34

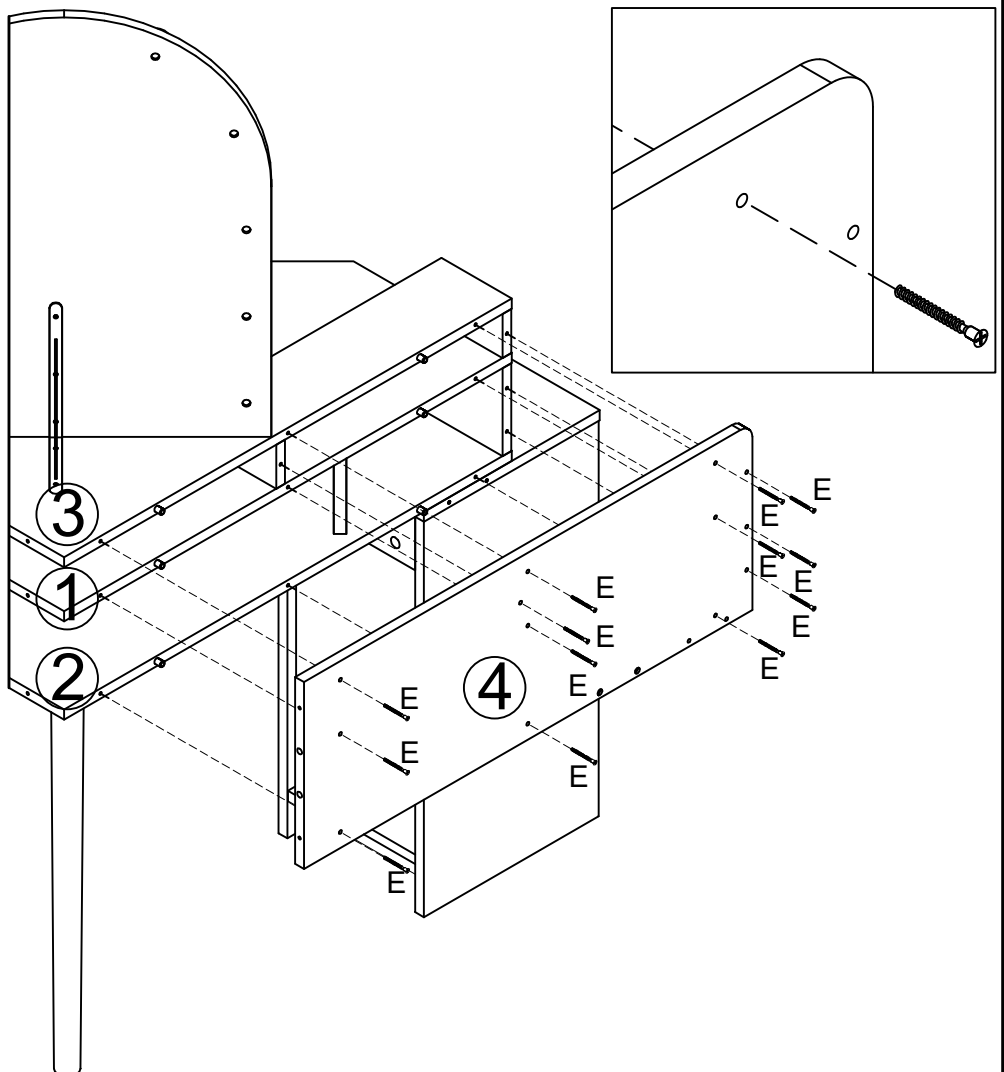


# STEP 35



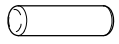
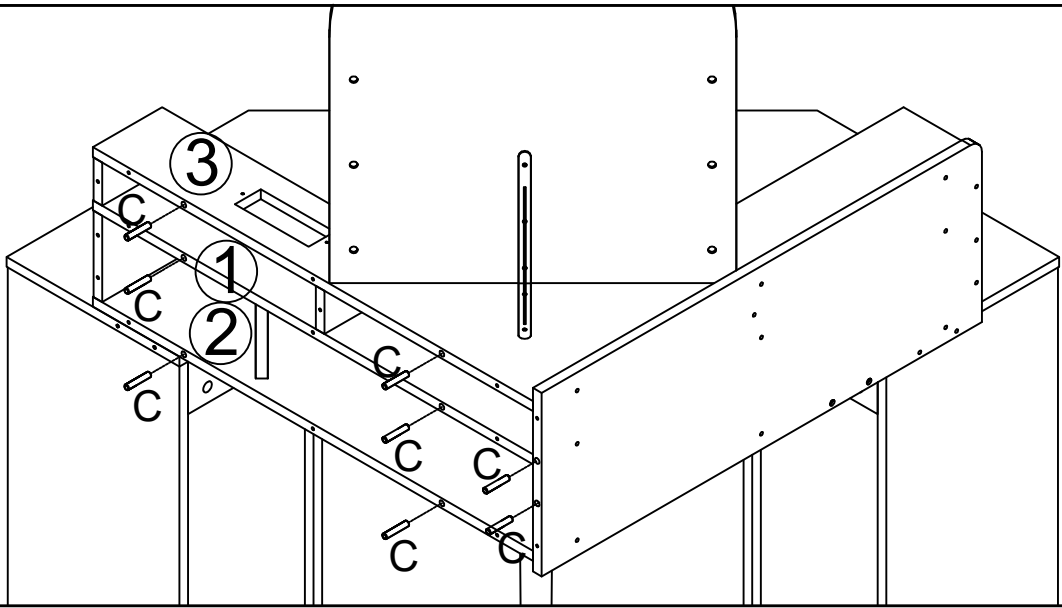
C x 6

# STEP 36



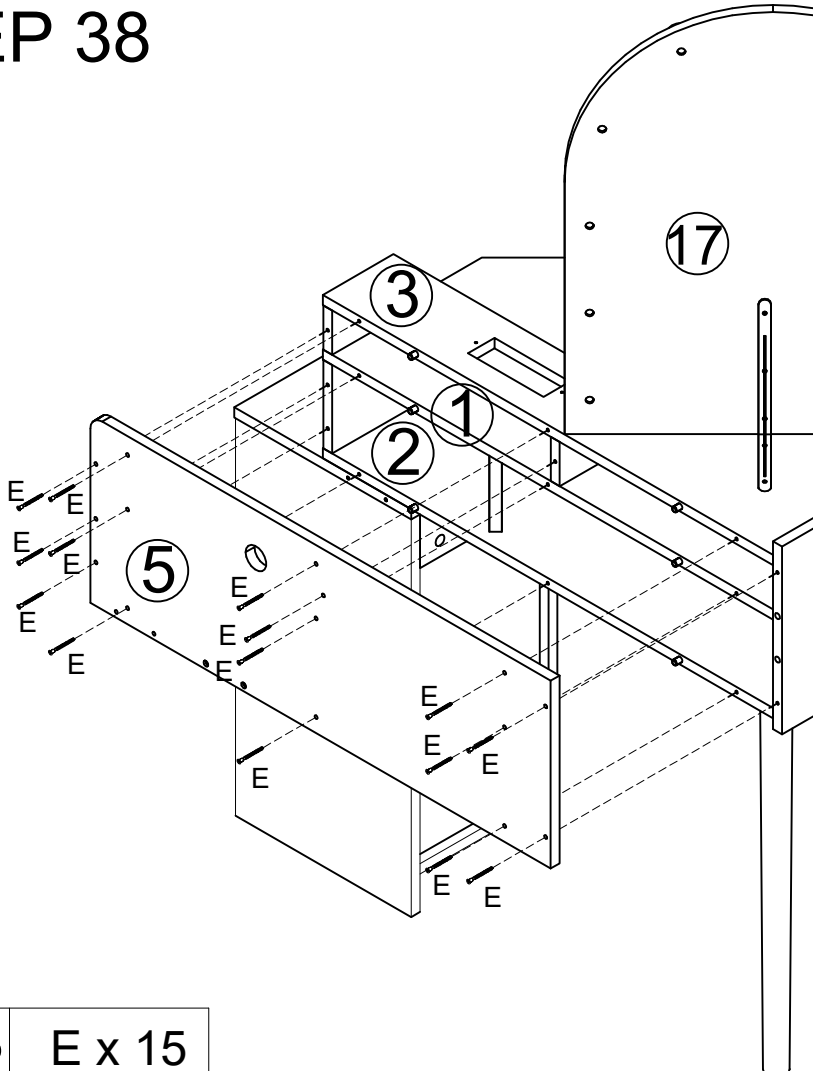
E x 13

# STEP 37



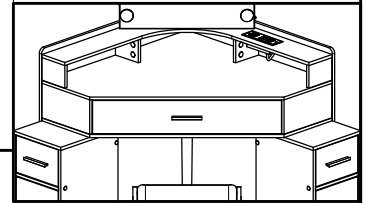
C x 8

# STEP 38

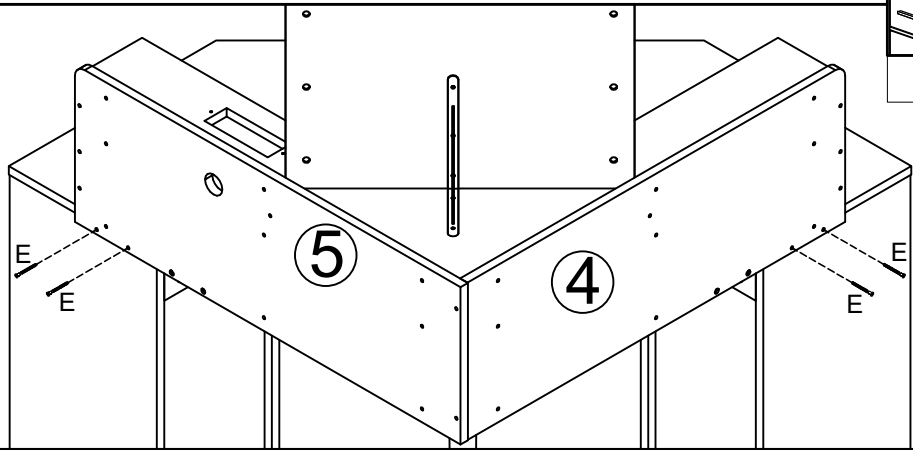


E x 15

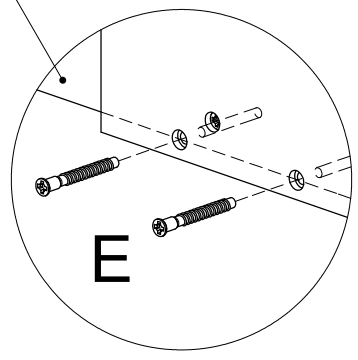
# STEP 39



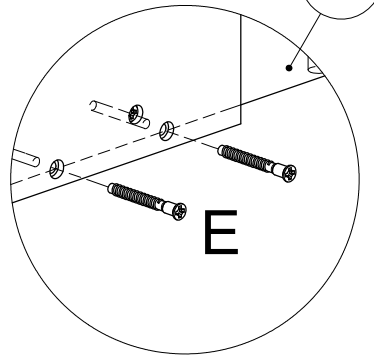
Picture 1



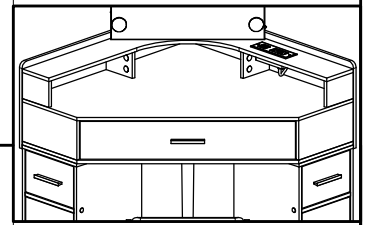
25



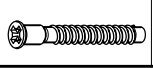
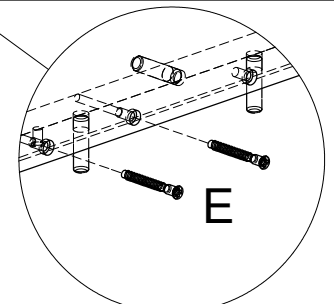
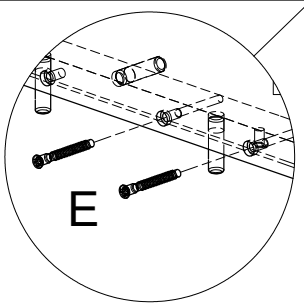
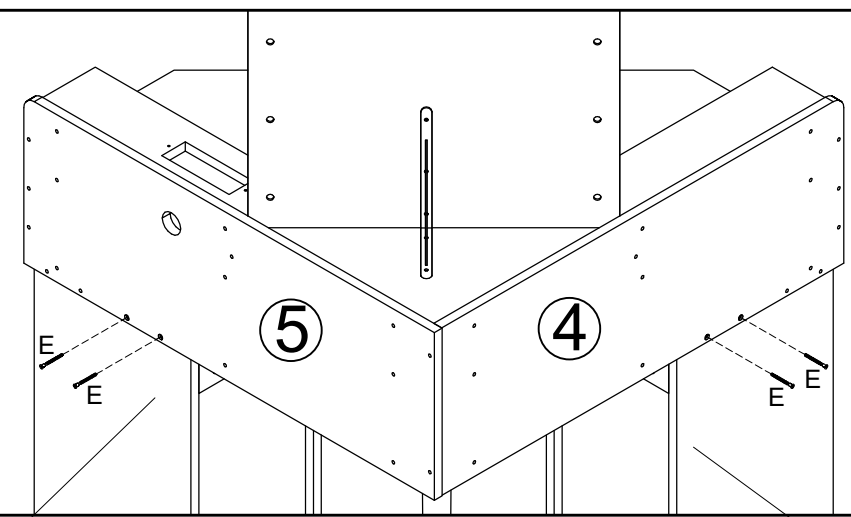
24



# OR

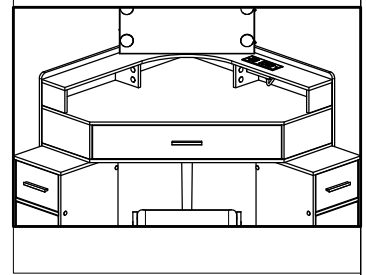


Picture 2

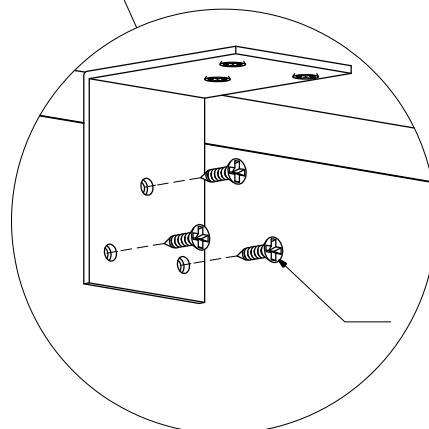
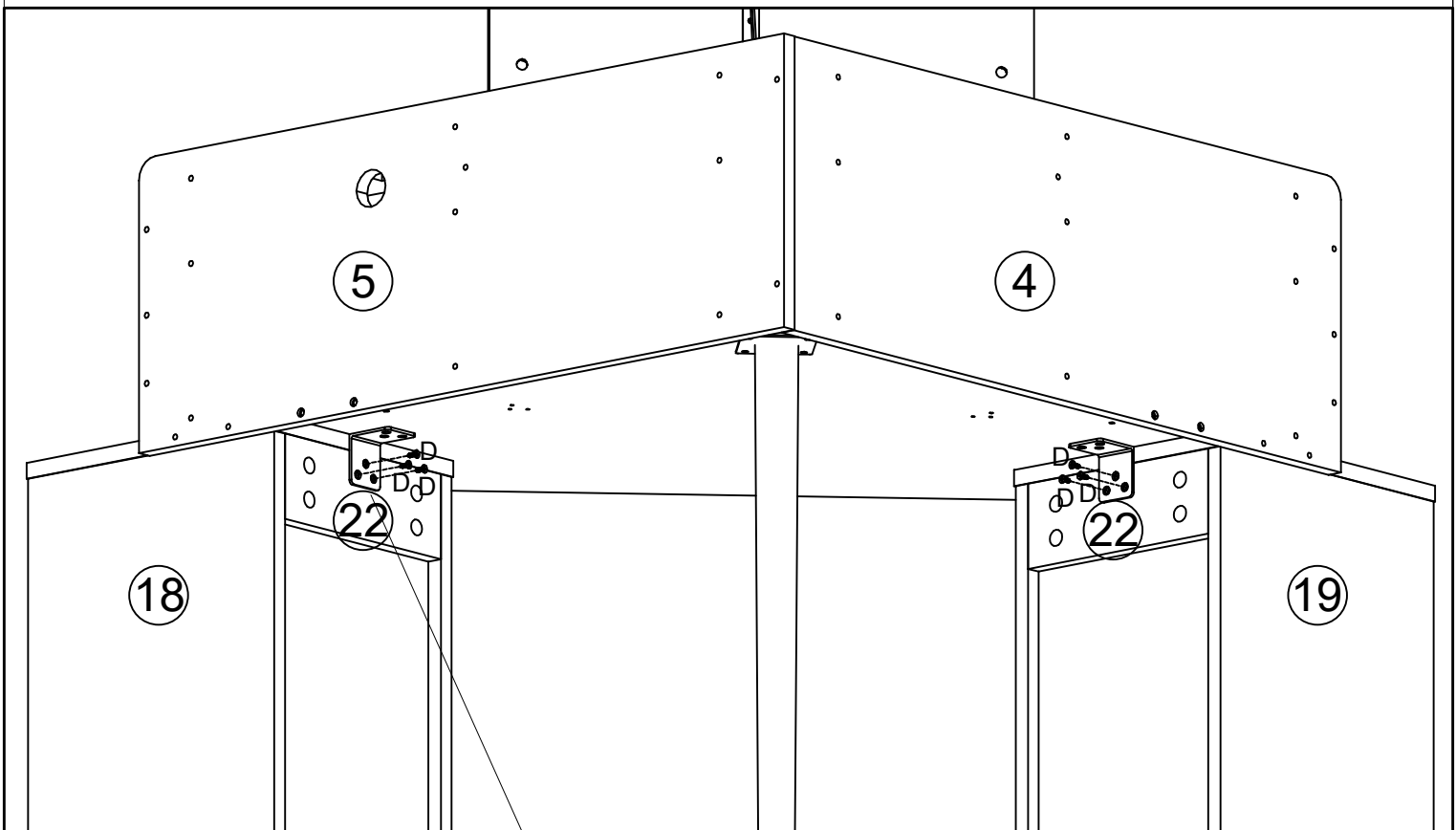


E x 4

# STEP 40

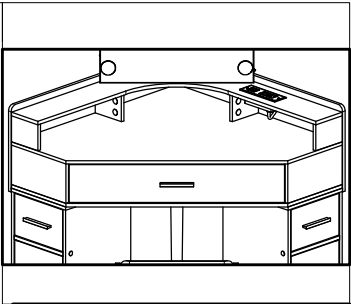


Picture 1

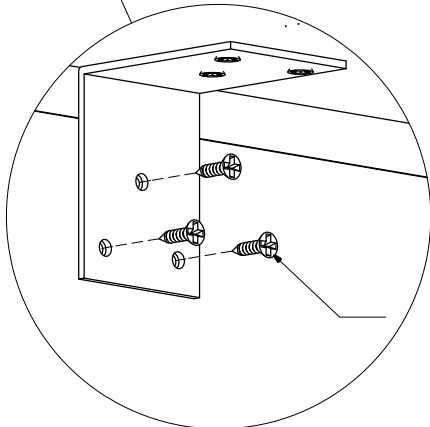
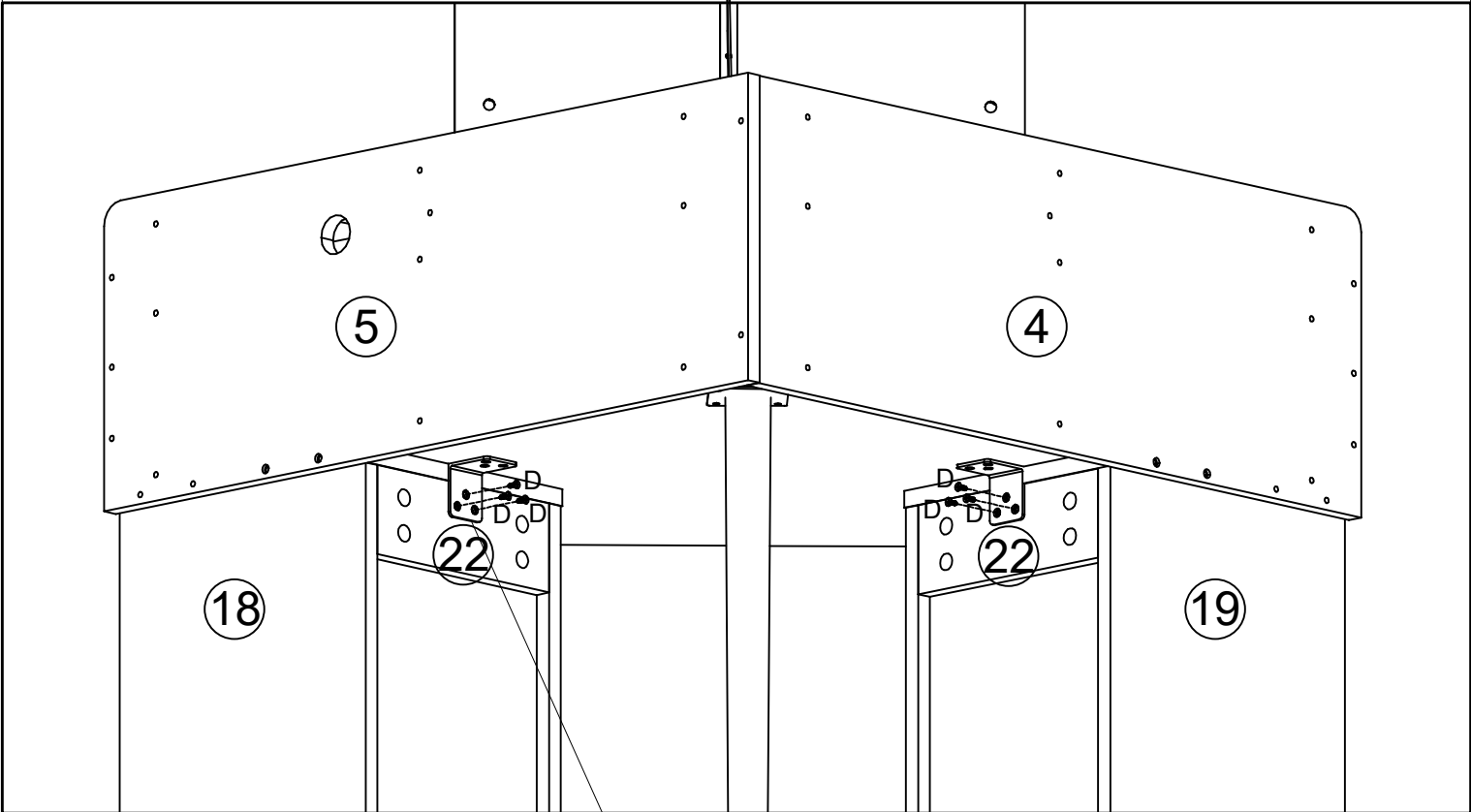


D x 6

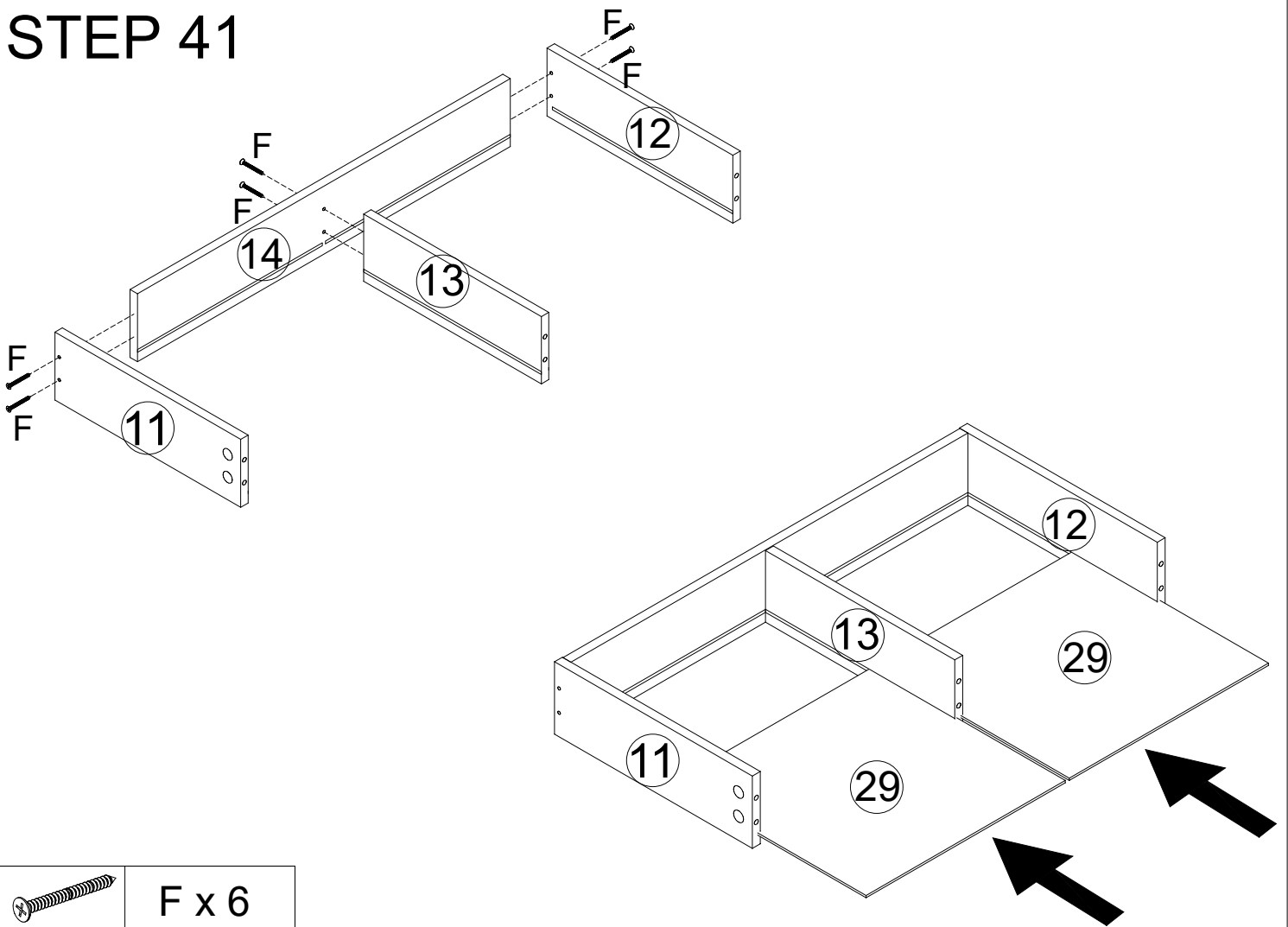
OR



Picture 2

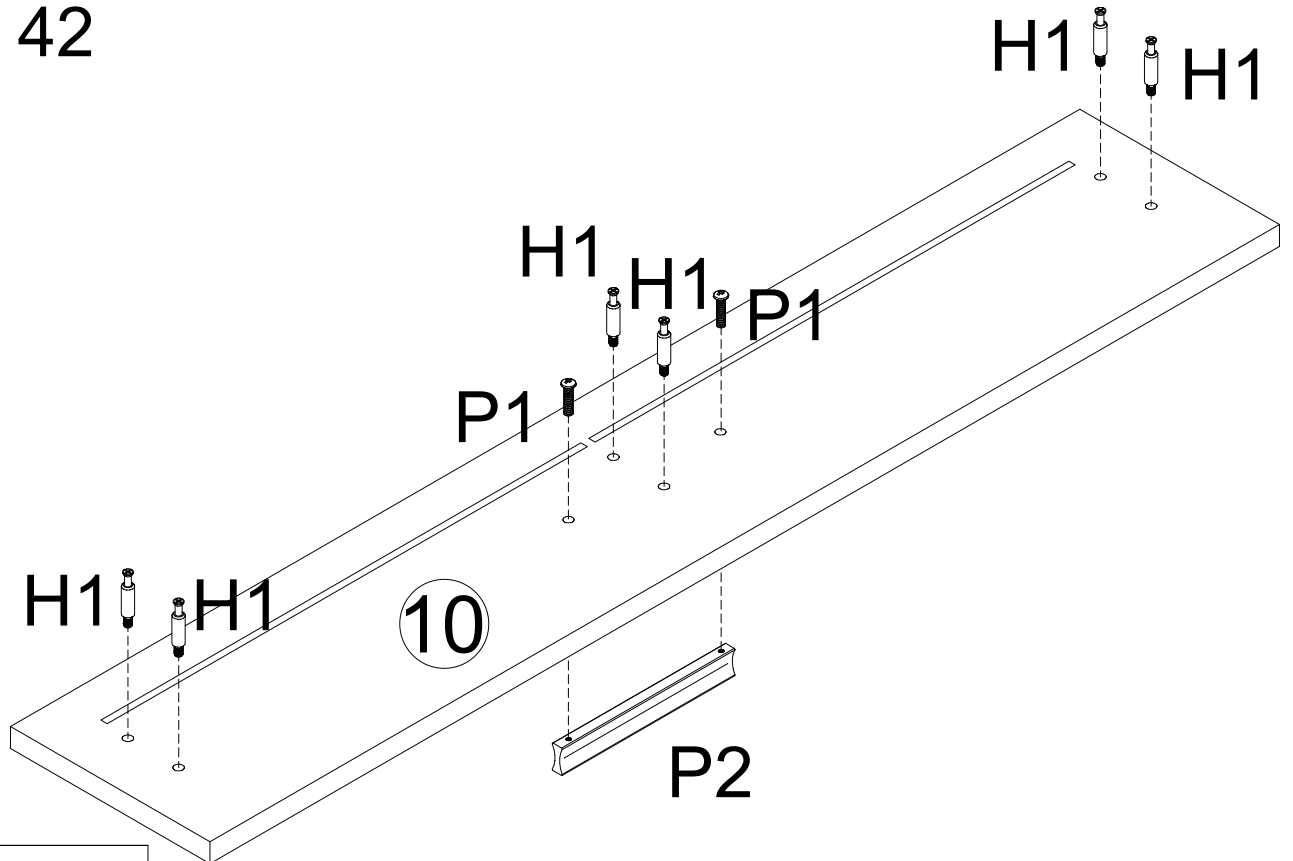


# STEP 41



F x 6

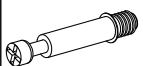
# STEP 42



P2 x 1



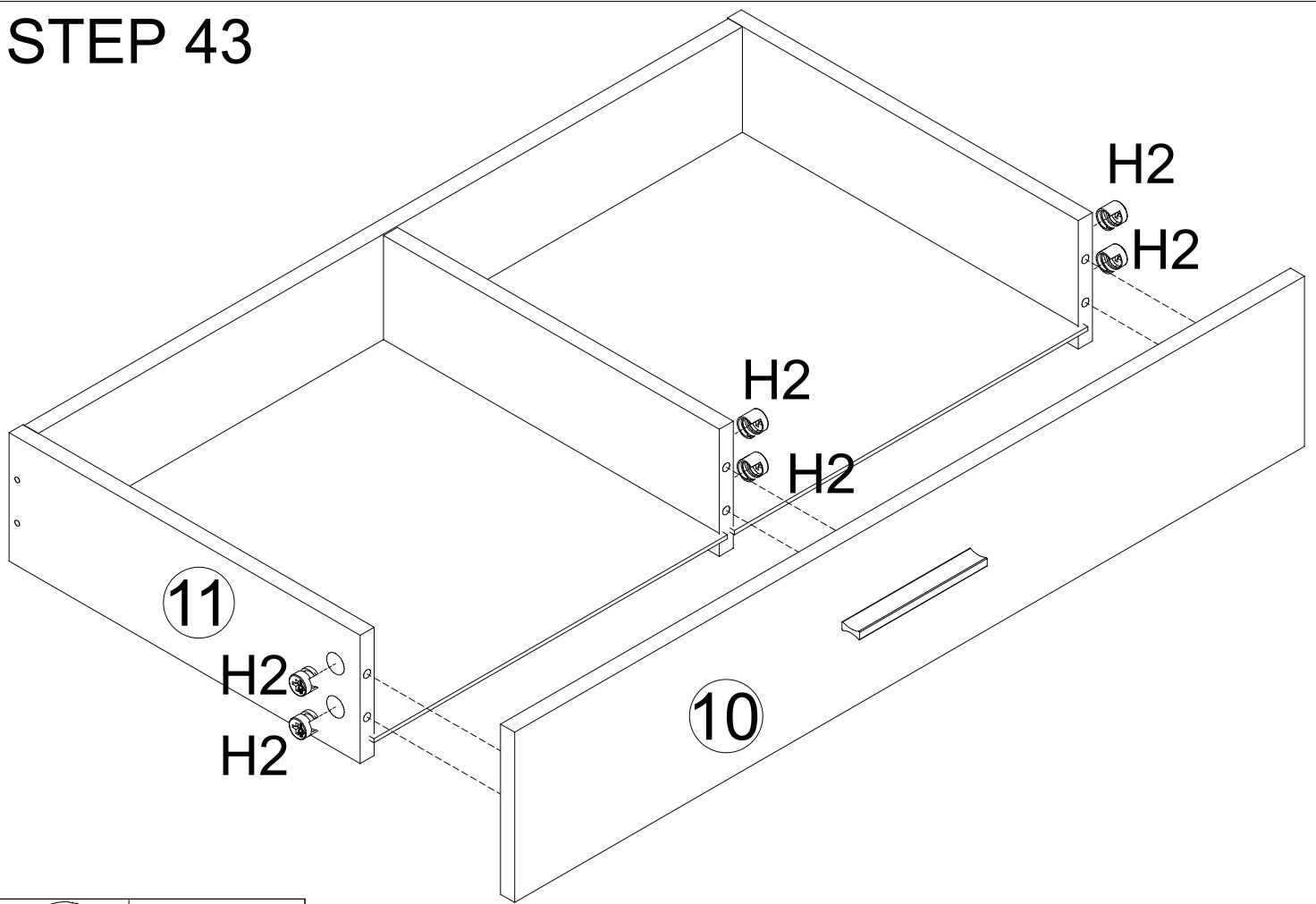
P1 x 2



H1 x 6

Note: The handle installed here is labeled P

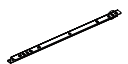
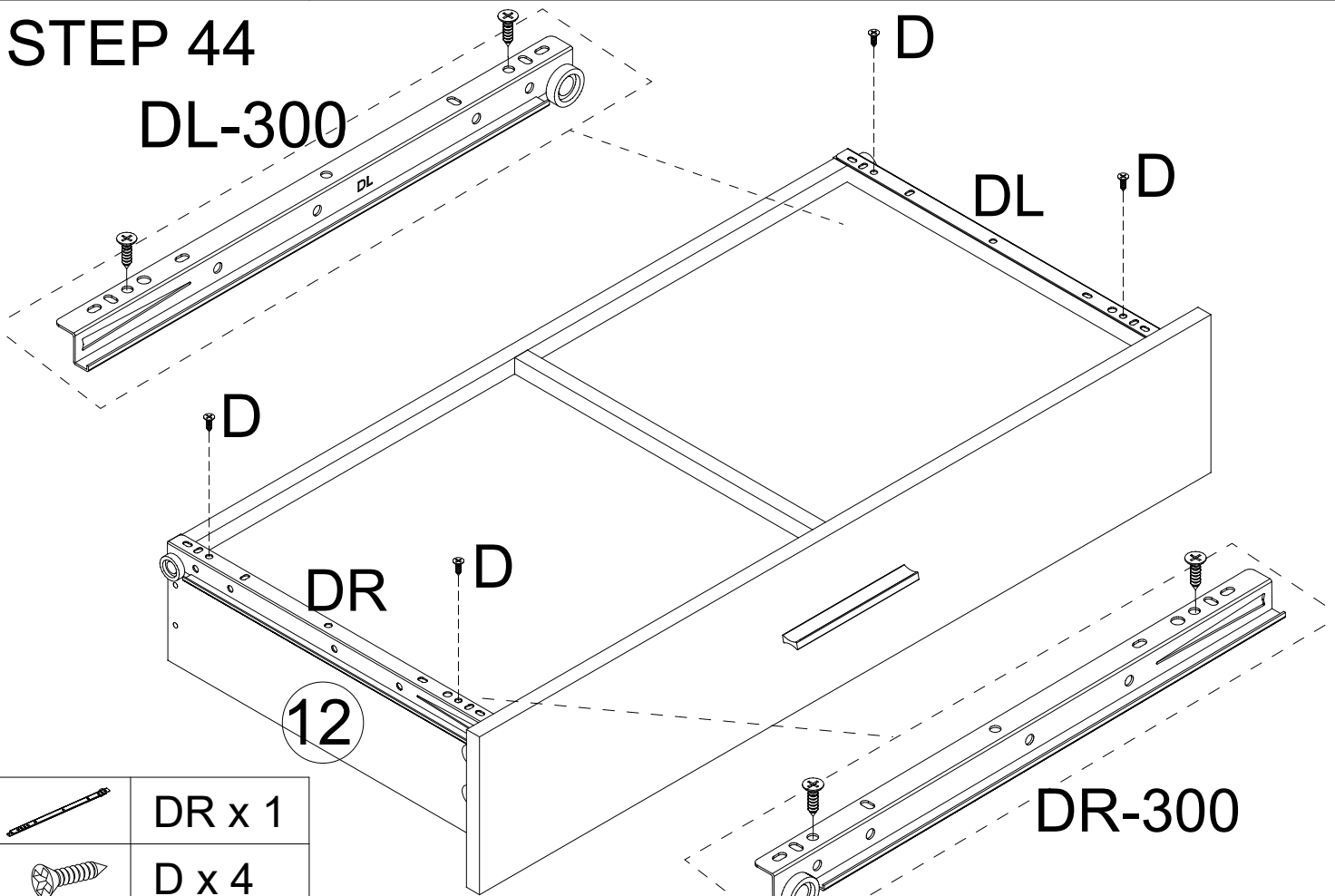
# STEP 43



H2 x 6

# STEP 44

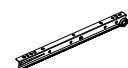
DL-300



DR x 1



D x 4

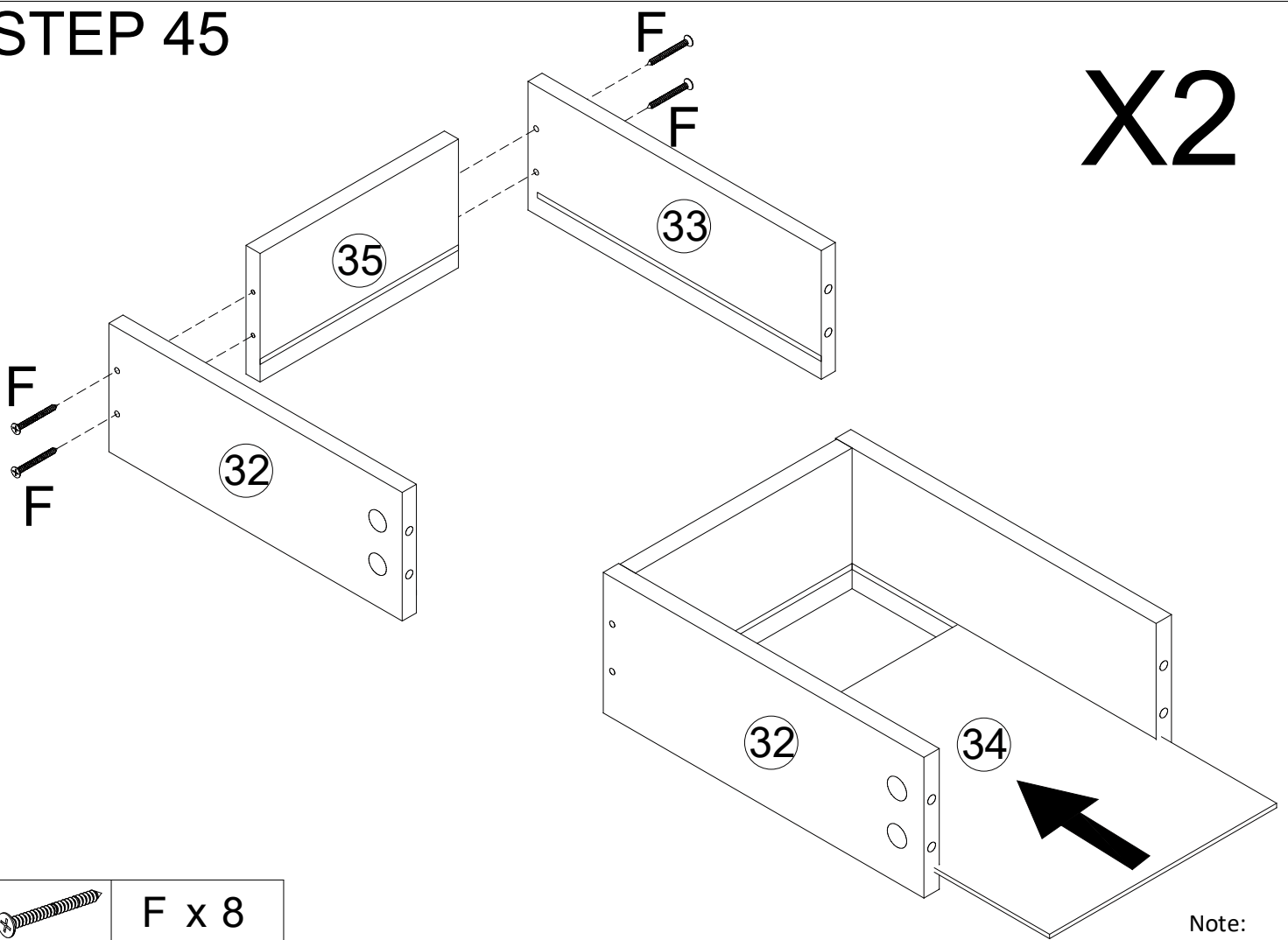


DL x 1


DR-300

Note: DL and DR with a length of 300MM are used here

# STEP 45

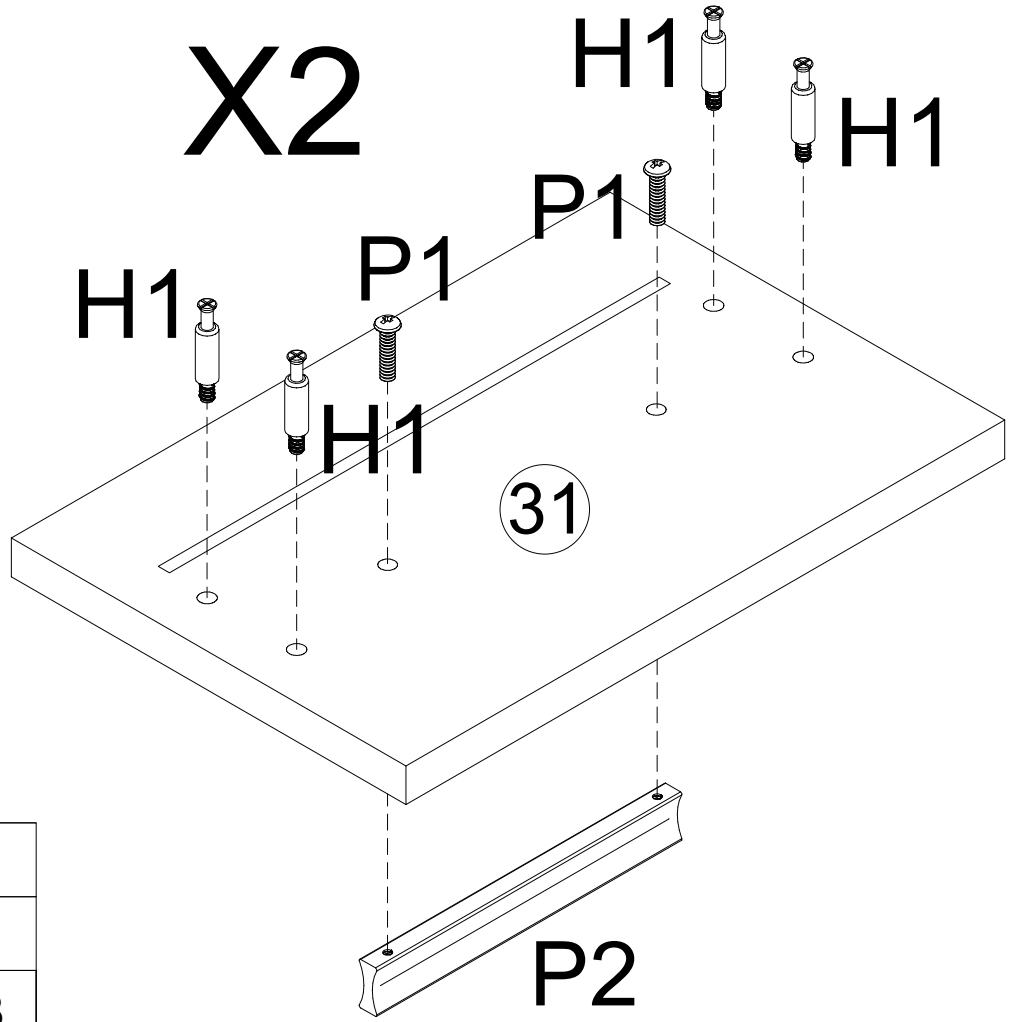


**X2**

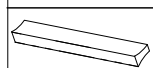
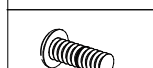
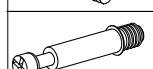
	F x 8
--	-------

Note:

# STEP 46

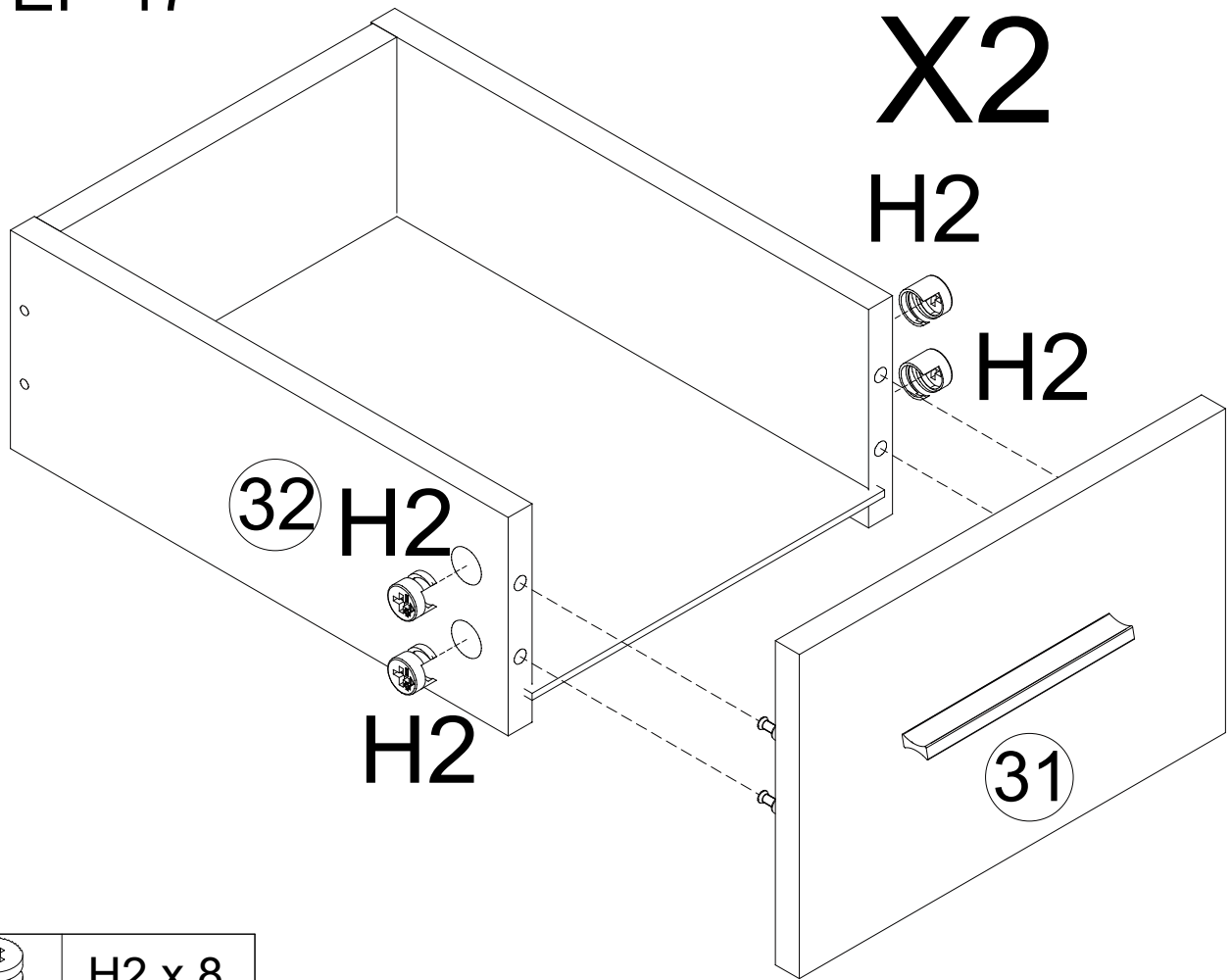


**X2**

	P2 x 2
	P1 x 4
	H1 x 8

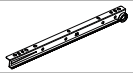
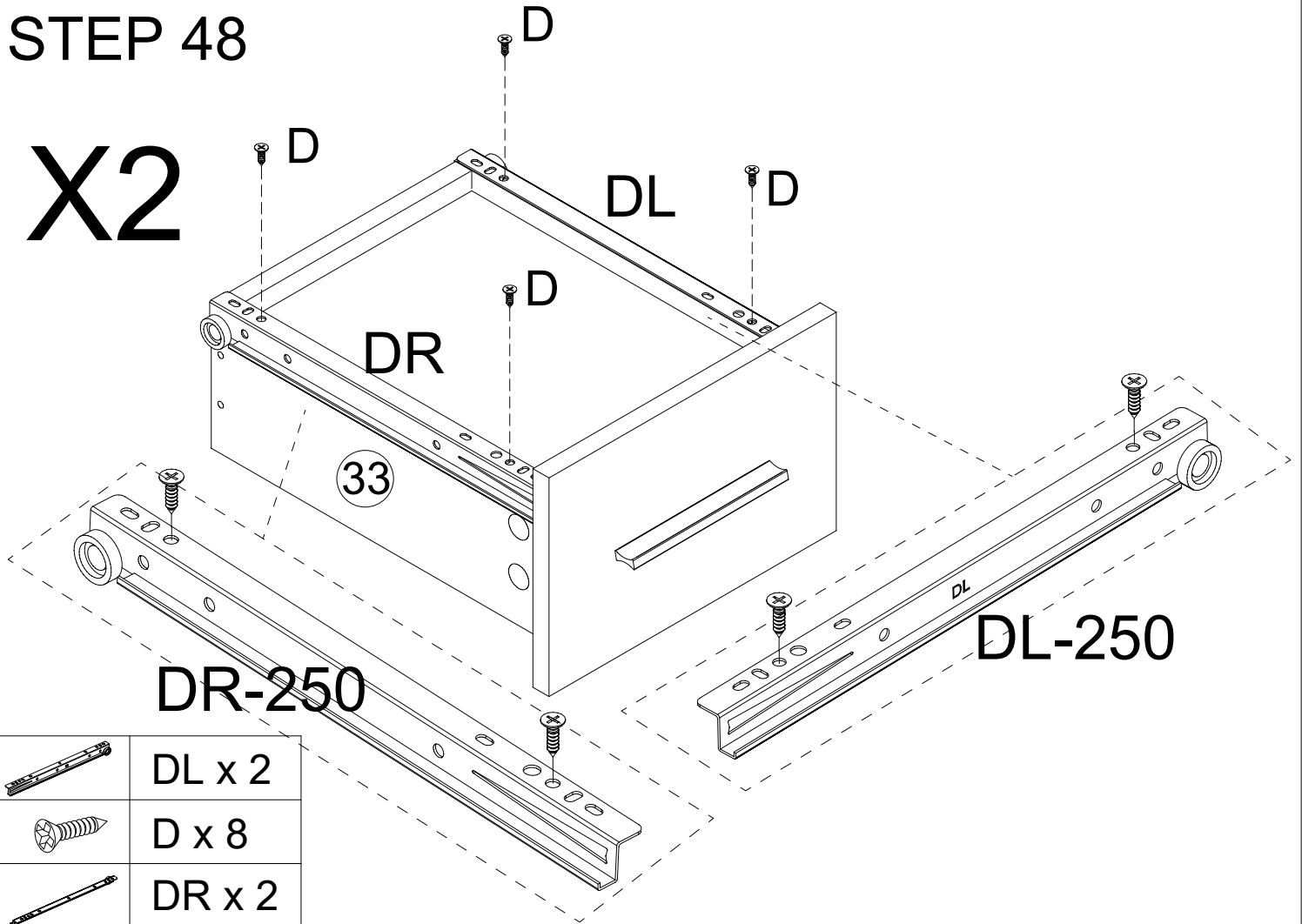
**P2**

# STEP 47



H2 x 8

# STEP 48



DL x 2



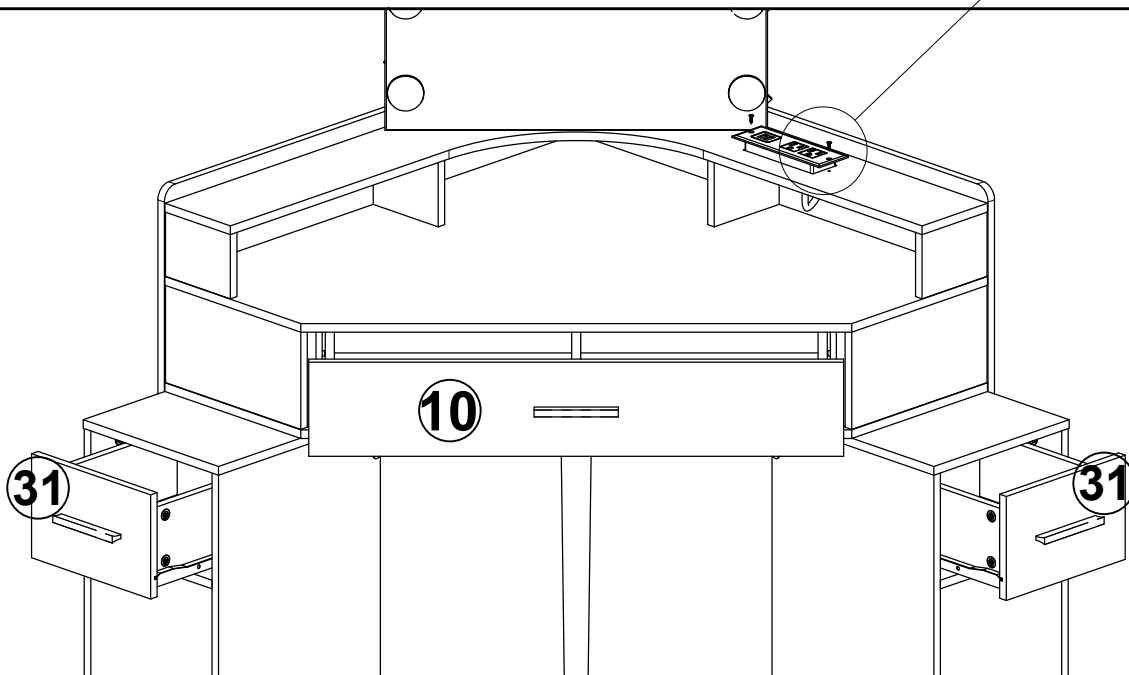
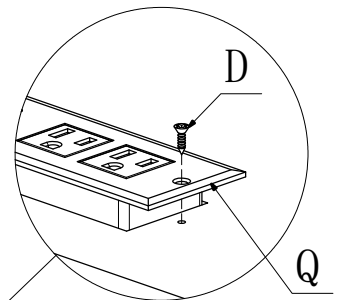
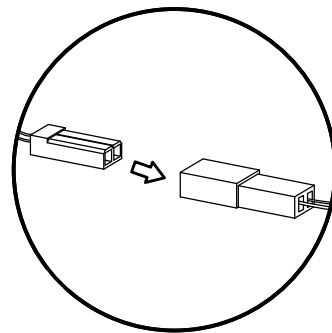
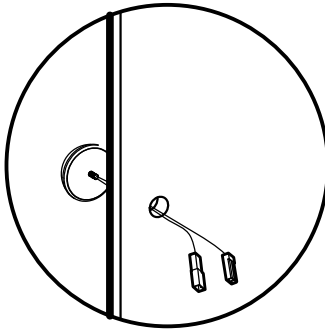
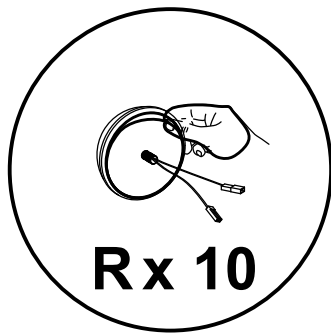
D x 8






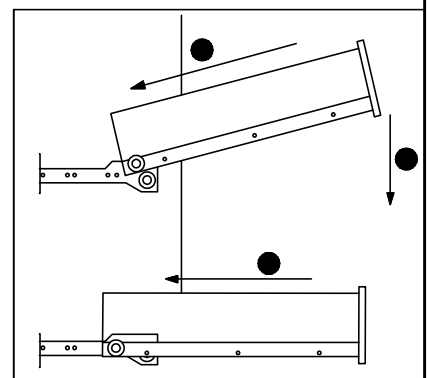
DR x 2

# STEP 49

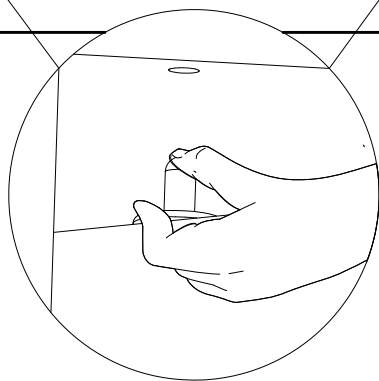
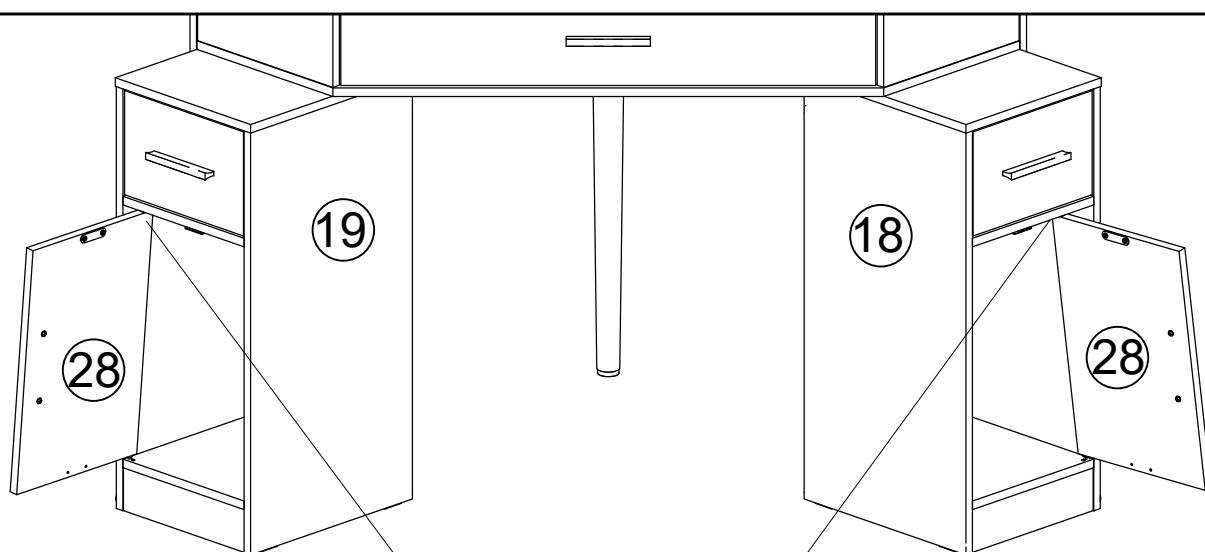
Before attaching the bulb to the mirror panel, please remove the white sticker from the back of the bulbs



	<b>R x 10</b>
	<b>D x 2</b>
	<b>Q x 1</b>



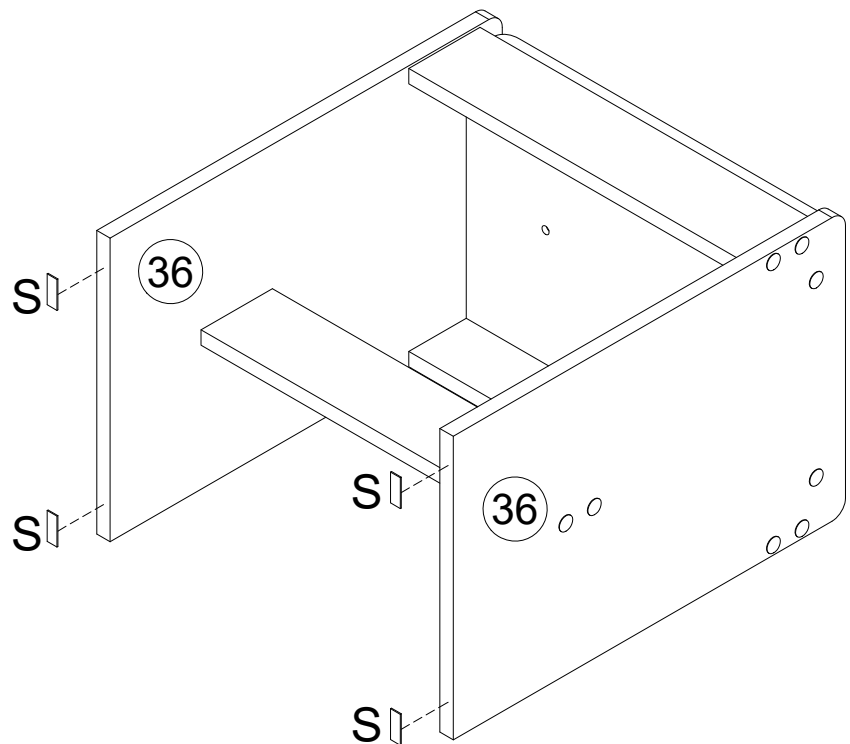
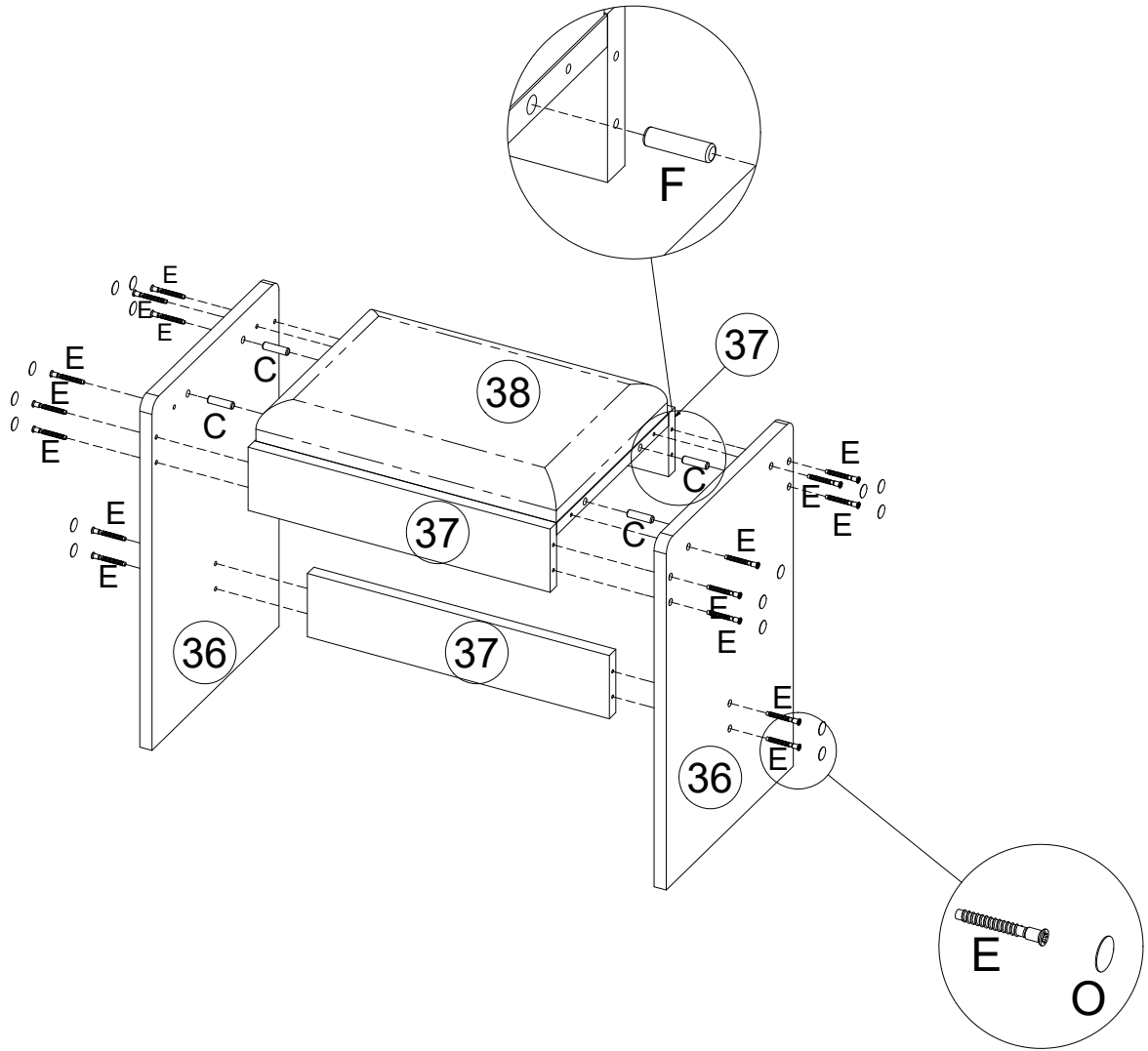
# STEP 50


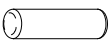

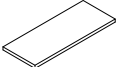


0

1 x 4

# STEP 51



	O x 16
	C x 4
	E x 16
	S x 4