
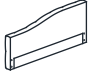
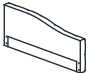













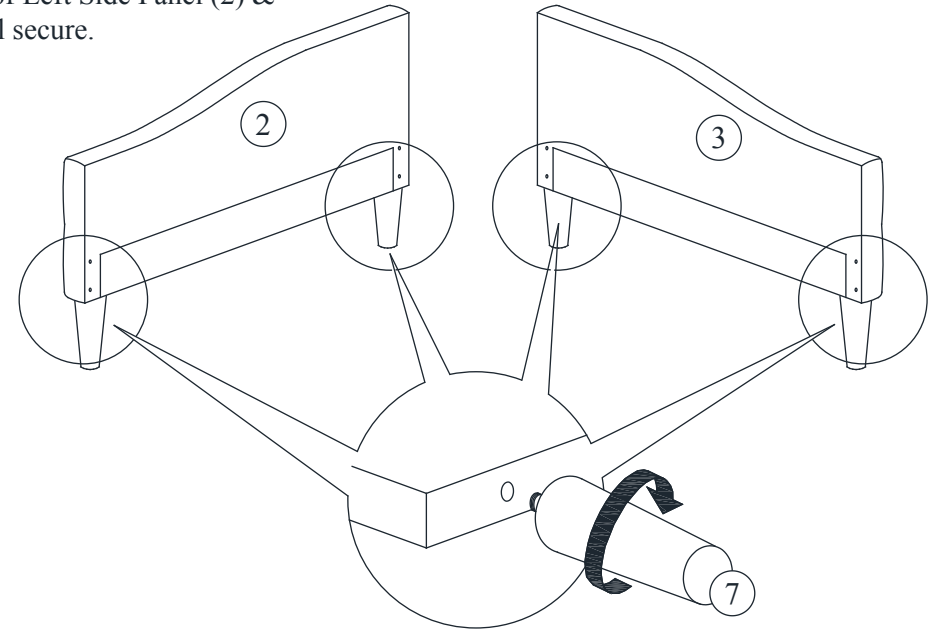
ASSEMBLY INSTRUCTION

ITEM : TWIN DAYBED

NO	PARTLIST	QTY
1	 BACK PANEL 1PC	1PC
2	 SIDE PANEL (L) 1PC	1PC
3	 SIDE PANEL (R) 1PC	1PC
4	 FRONT RAIL 1PC	1PC
5	 BACK RAIL 1PC	1PC
6	 SLAT 2SETS	2SETS
7	 LEG 4PCS	4PCS
ITEM	HARDWARE	QTY
A	 JCBB SCREW M8 x 20MM 8PCS	8PCS
B	 JCBC SCREW M6 x 50MM 4PCS	4PCS
C	 SPRING WASHER M6 x 12MM 4PCS	4PCS
D	 FLAT WASHER M6 x 19MM 4PCS	4PCS
E	 SCREW M4 x 32MM 8PCS	8PCS
F	 L - KEY M4 x 65MM 1PC	1PC
G	 L - KEY M5 x 65MM 1PC	1PC

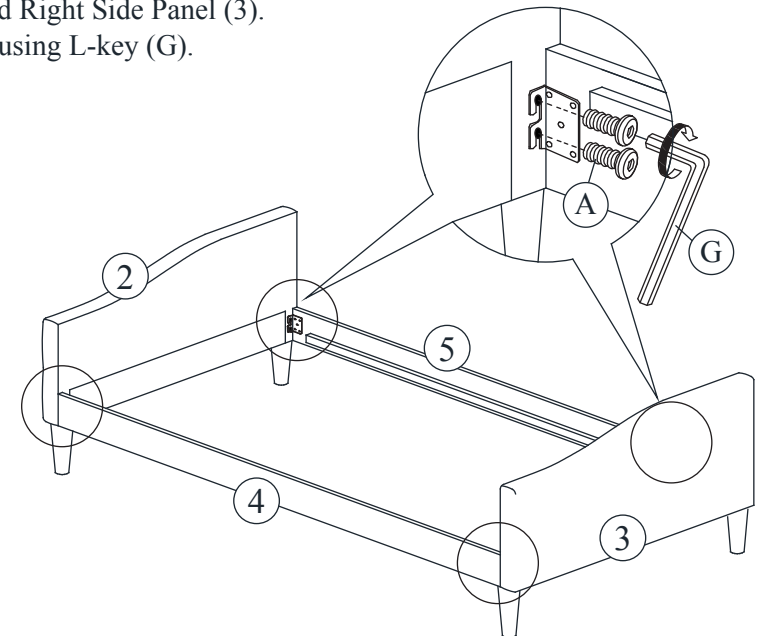
STEP 1

Begin assembly by attaching each Leg (7) to the bottom of Left Side Panel (2) & Right Side Panel (3). Tighten the Legs (7) clockwise until secure.



STEP 2

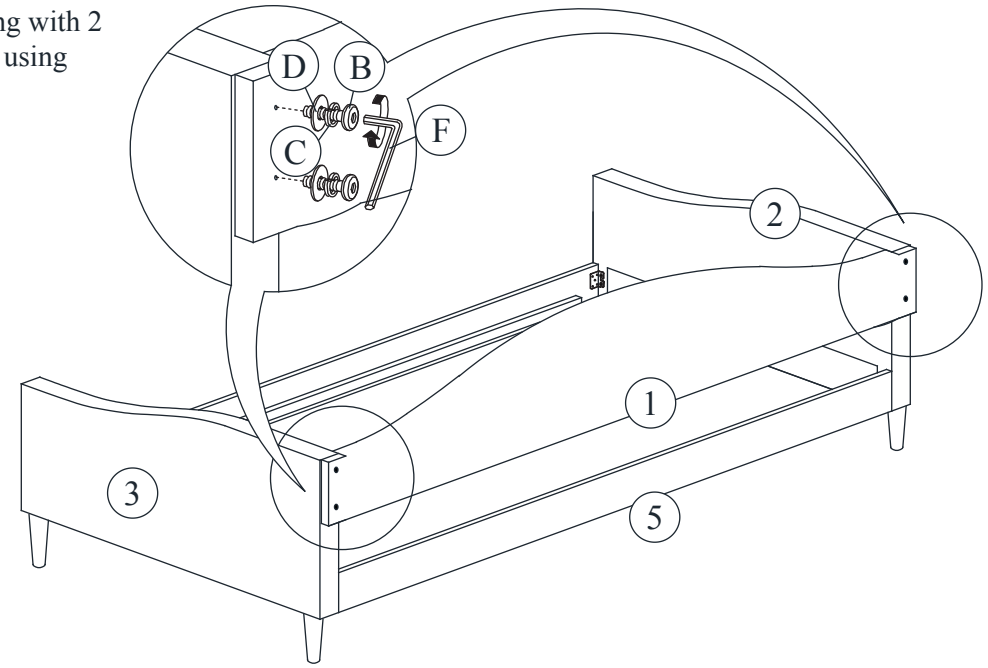
Attach the Front Rail (4) and Back Rail (5) to the Left Side Panel (2) and Right Side Panel (3). Aligning the holes and securing with 2 Allen Bolts (A) per each end by using L-key (G). (DO NOT FULLY TIGHTEN BOLTS FOR THIS STEP)



ASSEMBLY INSTRUCTION

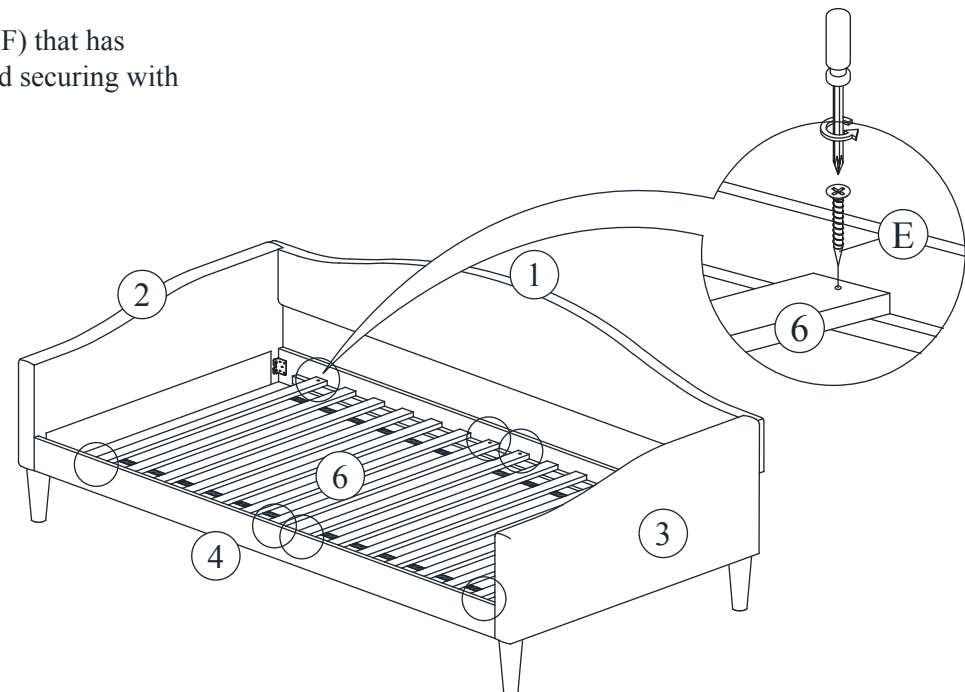
STEP 3

Attach the Back Panel (1) to the Left Side Panel (2) and Right Side Panel (3), and securing with 2 Allen Bolts (B), 2 Spring Washer (C), 2 Flat Washer (D) each side of the Back Panel by using L-Key (F).



STEP 4

Tighten all Bolts on step 2 by using the L-Key (G) and following step 3 using L-Key (F) that has been provided. Attach Slats (6) to the Front Rail (4) and Back Rail (5) by unrolling and securing with 2 Screws (E) per each side. Tighten all screws using philips head screwdriver (NOT INCLUDED)



ASSEMBLY
COMPLETED