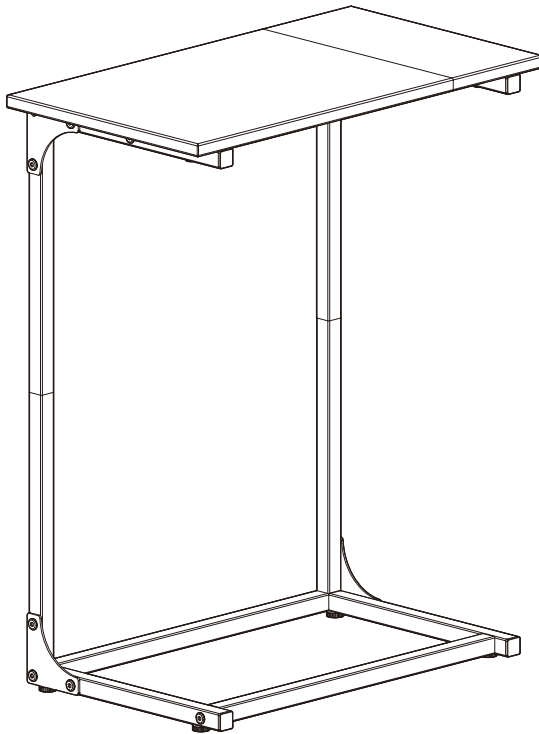


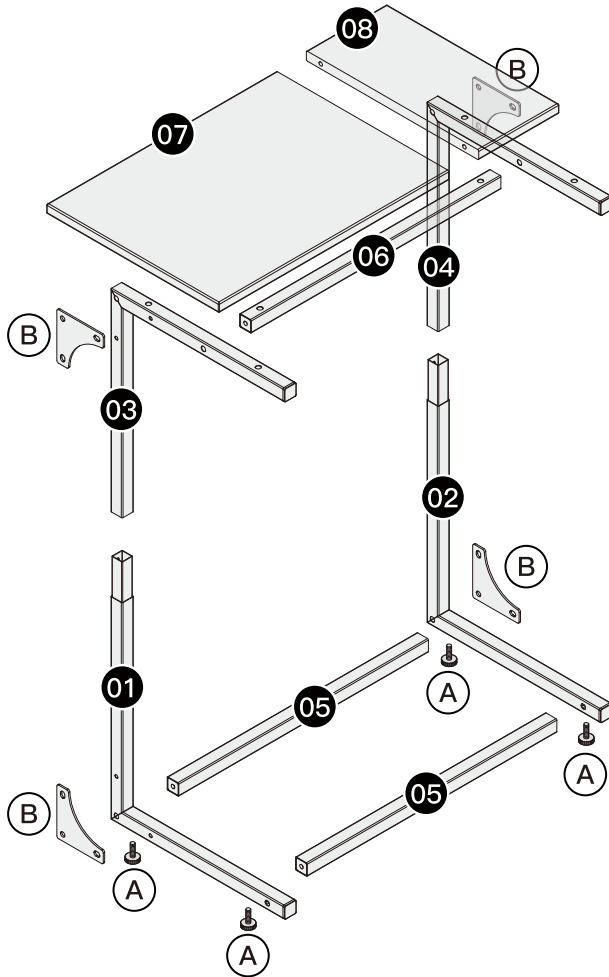
INSTRUCTION MANUAL

PIET11



End Table

Exploded Drawing



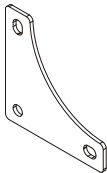
Supplied Parts and Hardware

(A) x 4



Foot

(B) x 4



Washer

(C) x 12



M6 x 10mm Bolt

(D) x 12



M6 x 30mm Bolt

(E) x 2



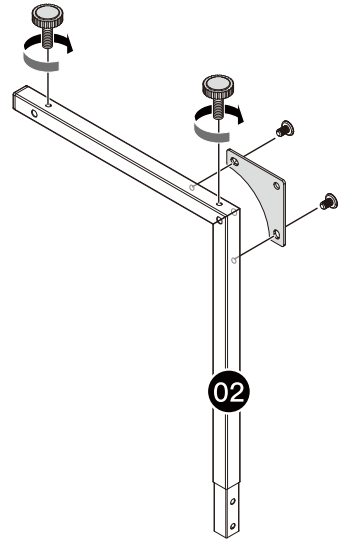
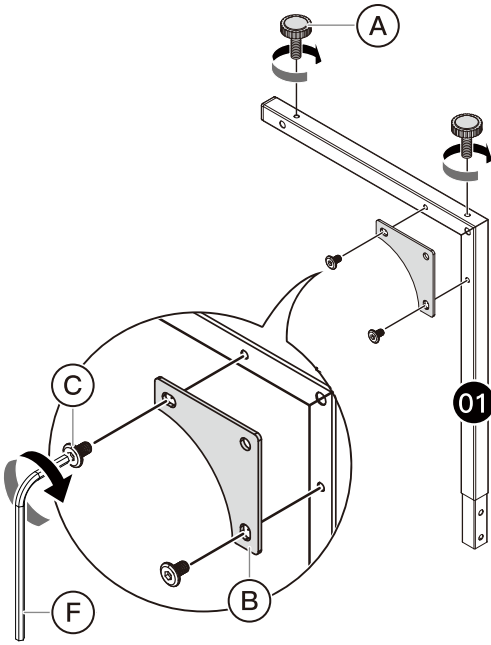
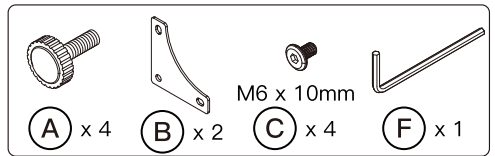
Ø6 x 40mm Wood Dowel

(F) x 1

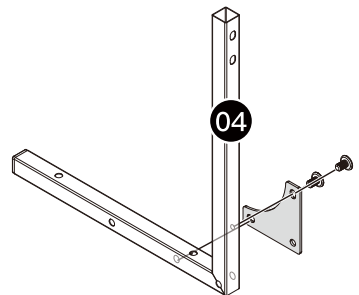
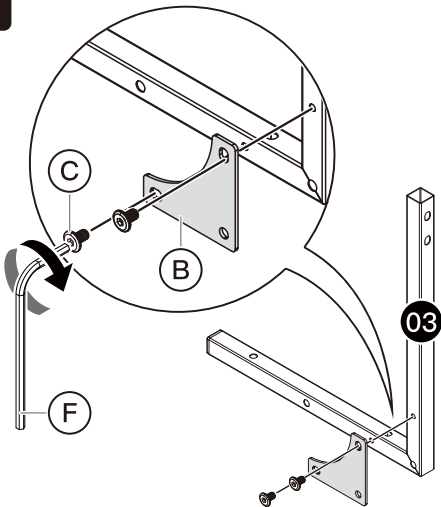
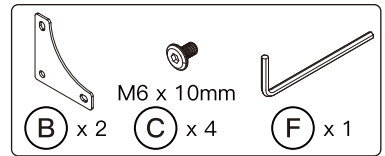


5/32" (4mm) Allen Key

1

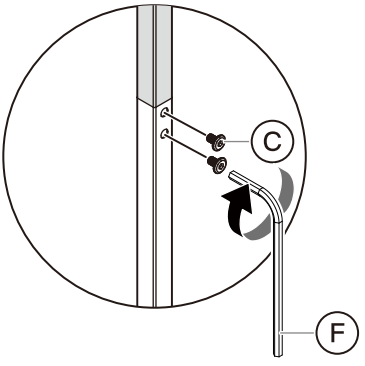
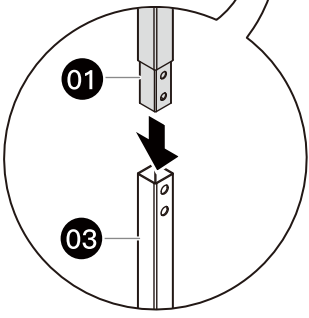
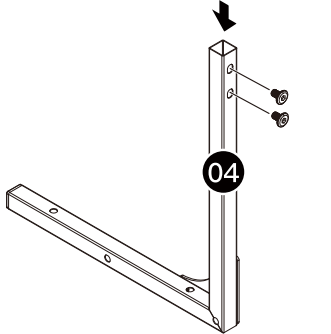
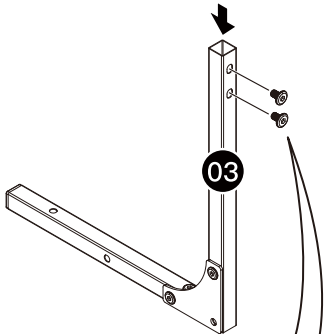
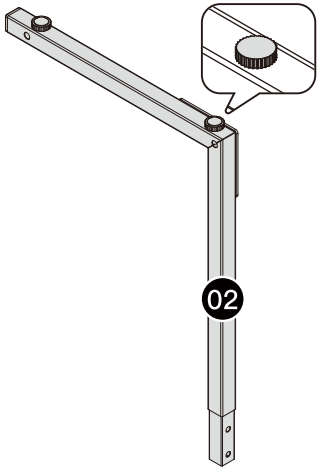
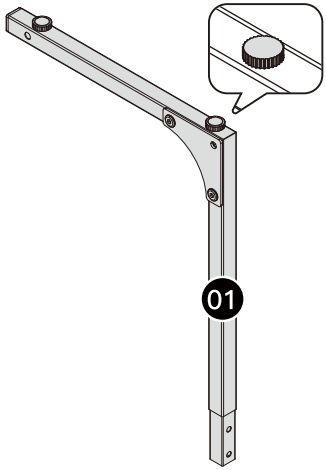
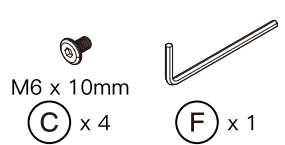


2

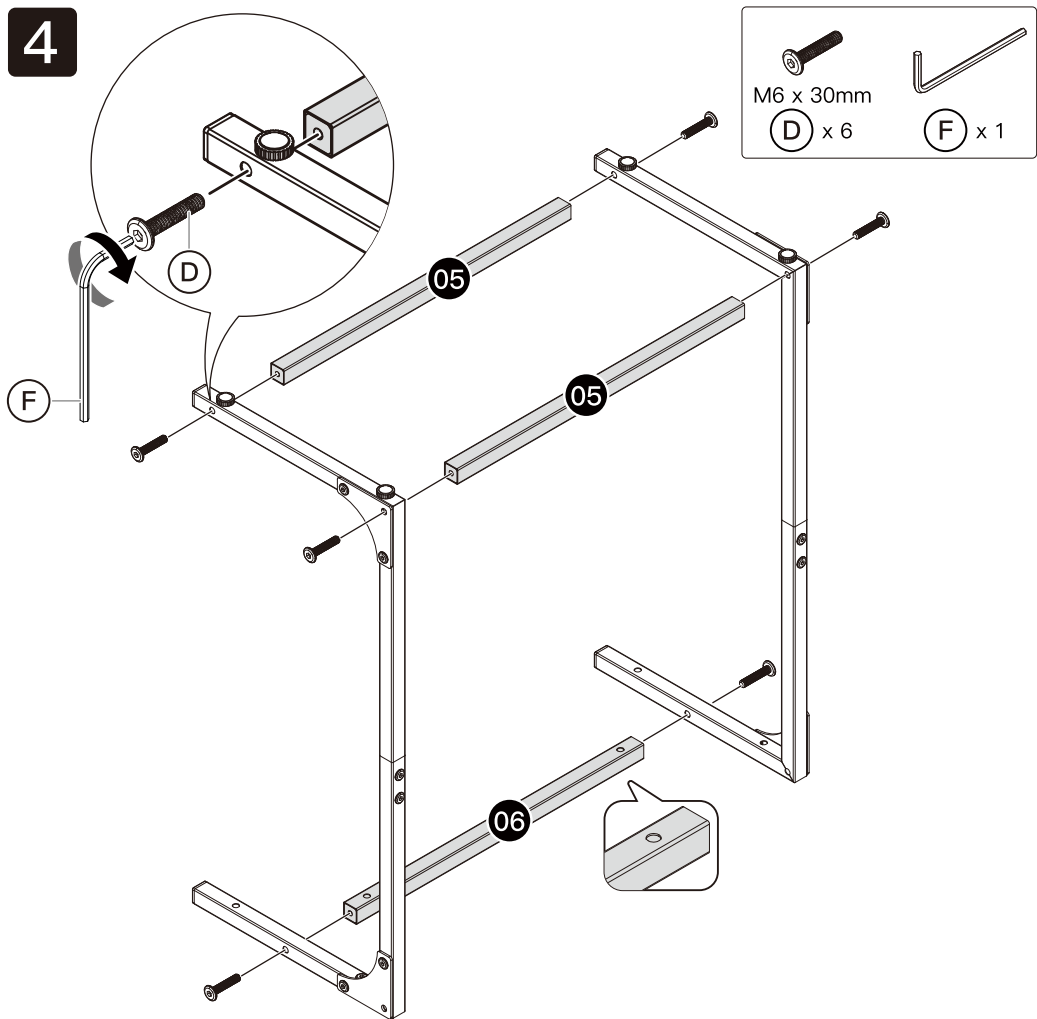


3

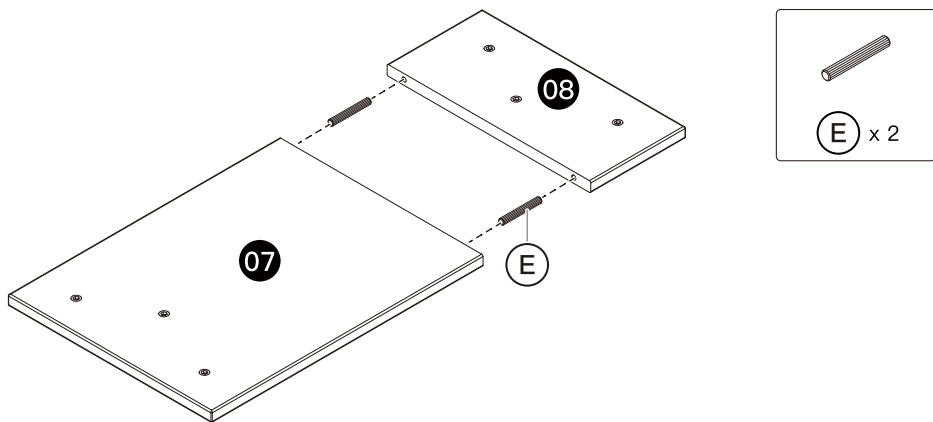
M6 x 10mm
C x 4 F x 1



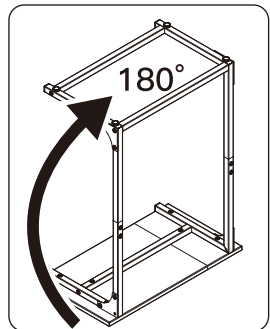
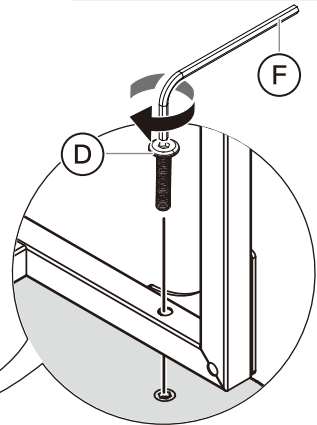
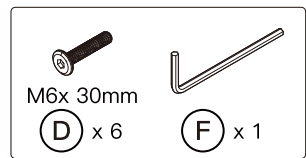
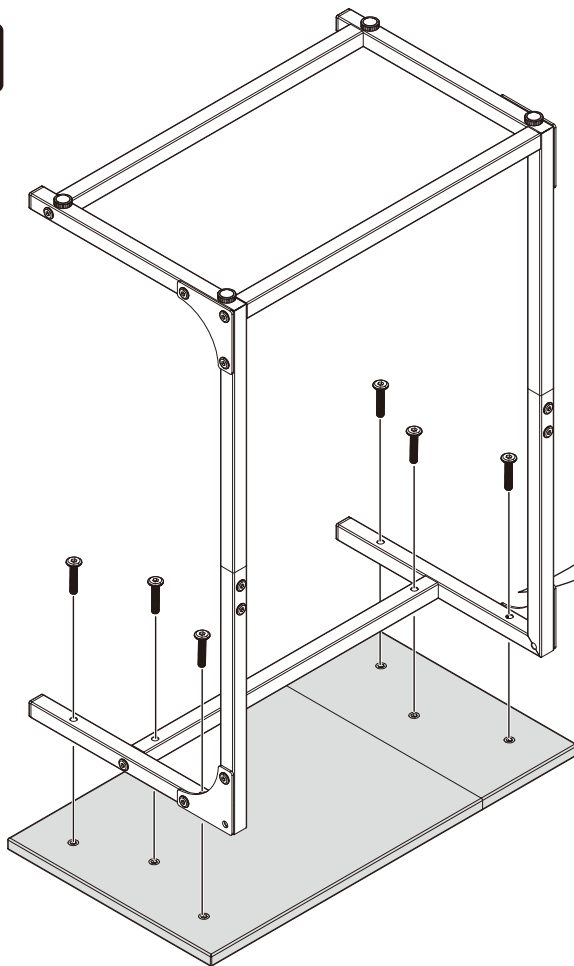
4



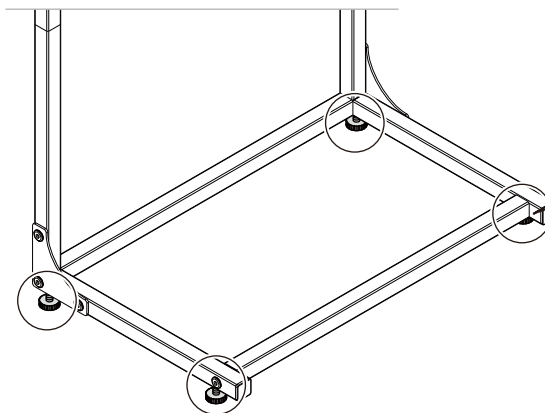
5



6



Level Adjustment



If the unit is not level, adjust it by turning its feet to raise or lower.

