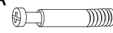





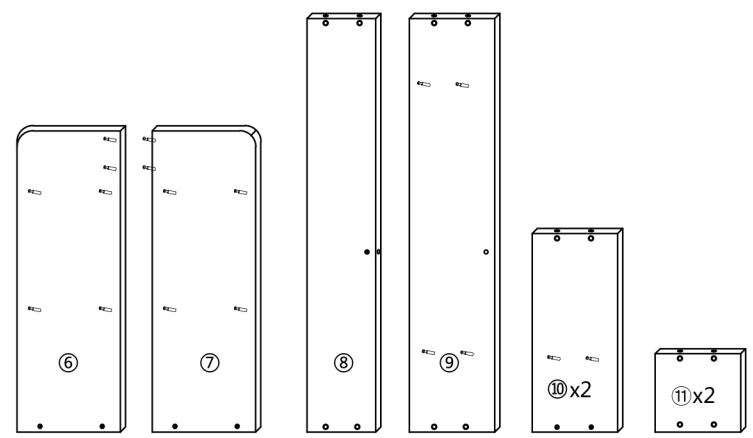
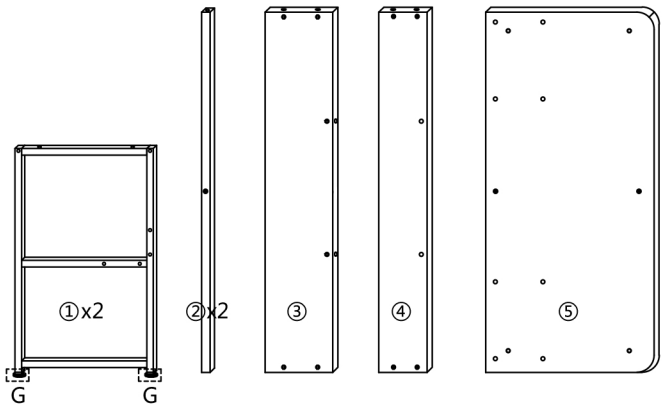
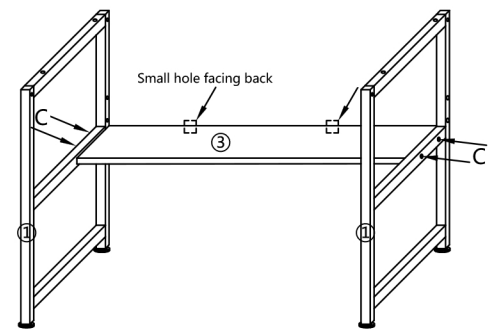


Instructions for computer table

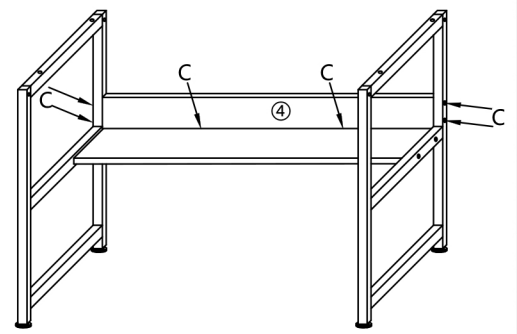
- A  Eccentric screw
- B  Eccentric bolt
- C  5cm tip screw
- E  4cm flat head screw
- F  3cm flat head screw
- G  Door mat



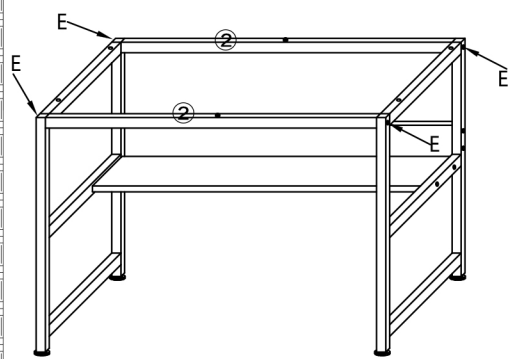
Lower half installation :



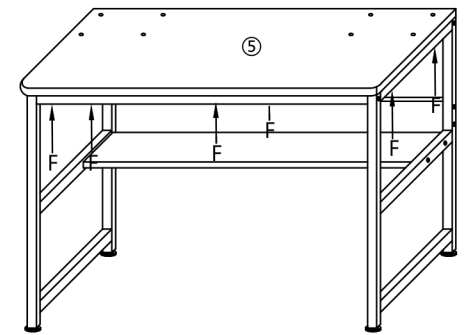
Screw C fixed



Screw C fixed

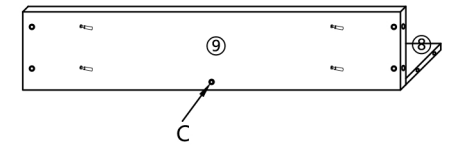


Screw E fixed

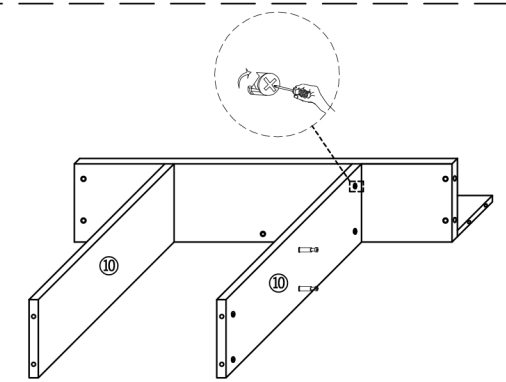


Screw F fixed

Upper half installation :



Screw C fixed



A+B fixed