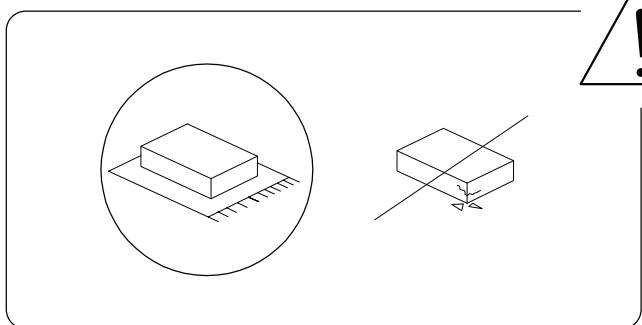
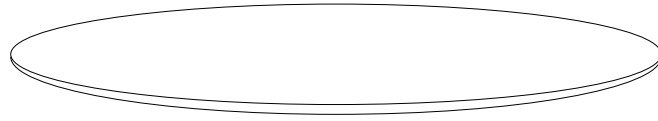


10'



1

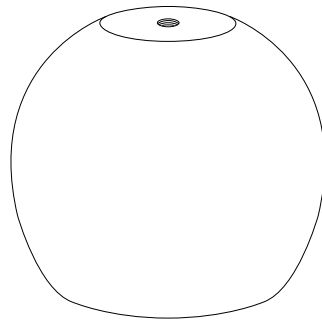
A



B



C



A



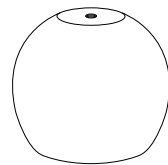
x 1

B



x 1

C



x 1

1

