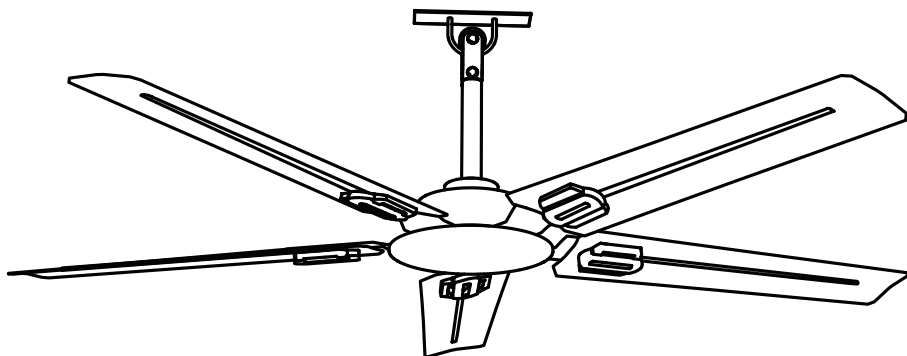


USER MANUALS



WARNING!!!

To avoid fire, shock and serious personal injury, follow these instructions.

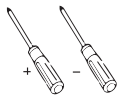
1. Read your user's manual and safety information before installing your new fan. Review the accompanying assembly diagrams.
2. Before servicing or cleaning the unit, switch off the power at the service panel and lock the service panel to prevent power from being switched on accidentally. If the service disconnecting means cannot be locked, securely fasten a warning device, such as a tag, to the service panel.
3. Be cautious around the fan and blades when clearing, repairing, or working near the fan. Always turn off the power to the ceiling fan before performing any servicing.
4. Do not insert anything into the fan blades while the fan is operating.
5. This appliance is not intended for use by young children or individuals with disabilities without supervision. Young children should be supervised to ensure they do not play with the appliance.
6. Before installing your ceiling fan, refer to the section on the proper method of wiring your fan. If you feel that you do not have enough wiring knowledge or experience, it is recommended to have your fan installed by a licensed electrician.

WARNING!!!

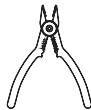
This manual is designed to make it as easy as possible for you to assemble, install operate and maintain your ceiling fan.



Step ladder



Phillips head
screw drivers



Wire strippers



Tape



Goggles

Accessories

5+1+1 (a)



Zip tips / Hook /
Plastic expansion tube

2 (b)



Expansion screw

2 (c)



Self-tapping
screw

2 (d)



Plastic expansion
tube

2+1 (h)



Balance kit

2 (e)



Washer

15+1 (g)



Blade screw

10+1 (i)



Arm screw

15+1 (j)

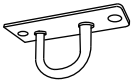


Red washer

Package Contents

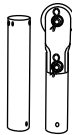
Check to see that you have received the following parts

1



Hook bracket

2



Downrods

1



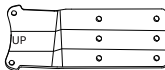
Coupling cover

5



Blade decorative
part

5



Blade arm

1



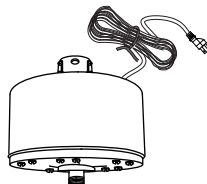
Motor bottom cover

5



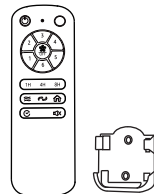
Fan blade

1



Fan motor host

1+1



Remote controller

Energy Saving Usage

Ceiling fan performance and energy savings rely heavily on the proper installation and use of the ceiling fan. Here are a few tips to ensure efficient product performance.

Choosing The Appropriate Mounting Location

Ceiling fans should be installed or mounted in the middle of the room and positioned at least 7 feet above the floor and 18 inches away from the walls.

If the ceiling height allows, it is recommended to install the fan 7~9 feet above the floor to achieve optimal airflow.

Turn Off When Not In The Room

If the room is unoccupied, turn off the ceiling fan to conserve energy.

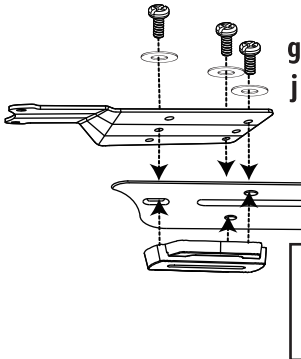
Using The Ceiling Fan Year Round

Summer Season: Use the ceiling fan in the counterclockwise direction. The airflow created by the ceiling fan produces a wind-chill effect, making you feel cooler. Select a fan speed that provides a comfortable breeze; lower speeds consume less energy.

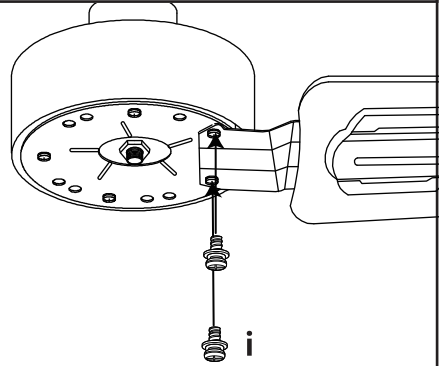
Winter Season: Reverse the motor and operate the ceiling fan at a low speed in the clockwise direction. This produces a gentle updraft, which pushes the warm air near the ceiling down into the occupied space. Remember to adjust your thermostat when using your ceiling fan. This simple step can lead to additional energy and cost savings.

Installation

1

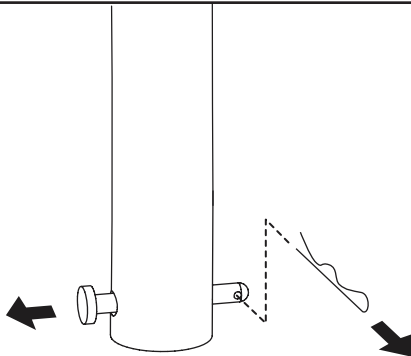


2

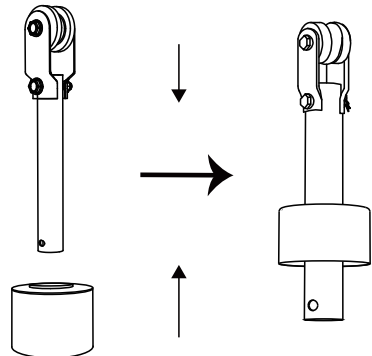


- Attach the blade decorative part to the fan blade, then secure the blade arms (with 'UP' side facing up) using 3 screws and washers.(Repeat this step to assemble the remaining fan blades.)
- Secure the blade arms assembled in step 1 to the fan motor host. (Repeat this step for the remaining fan blades installation.)

3

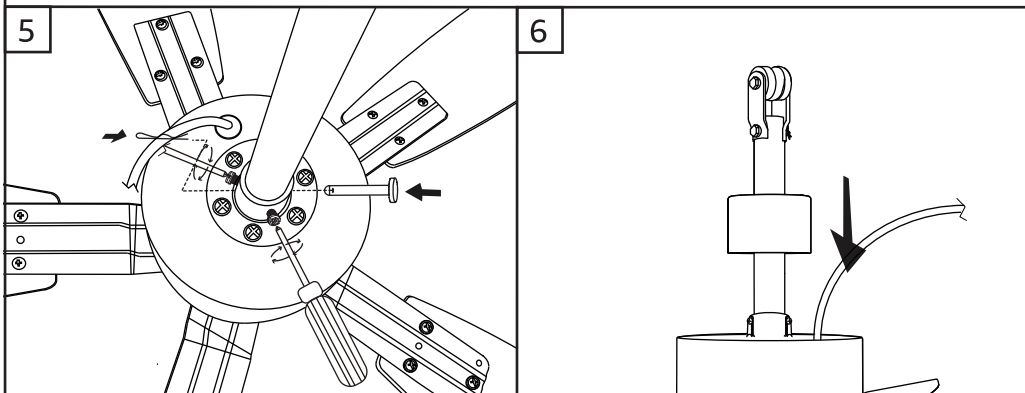


4

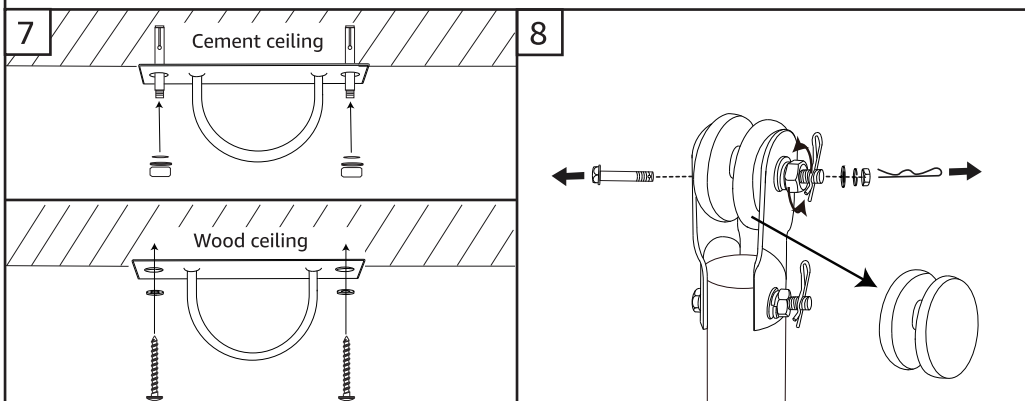


- Remove the downrod pin from the downrod assembly.
- Assemble the coupling cover to the downrod.

Installation

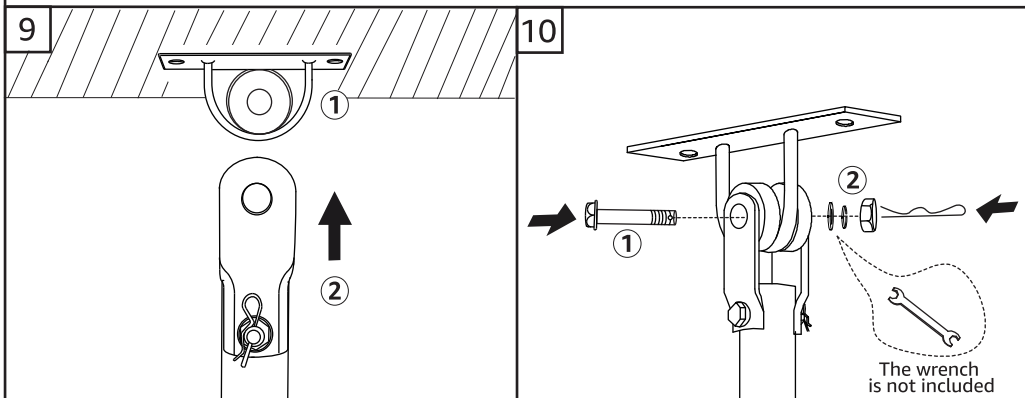


- Insert the downrod pin, lock it with the downrod clip, and then tighten the two screws on the yoke.
- Move the coupling cover downward.

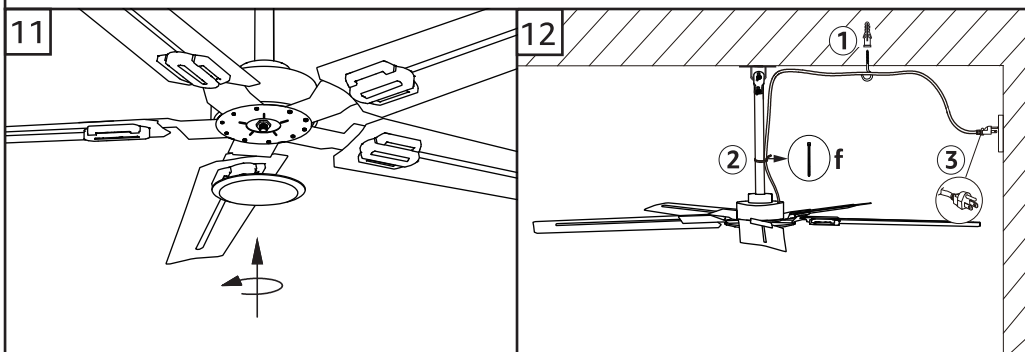


- Cement ceiling: Drill a hole on the cement ceiling, then use expansion screws to secure.
Wood ceiling: Use self-tapping screws to drive into the wooden ceiling.
- Remove the R-clip, nut (loosened), washer, and pin, then take out the rubber wheel.

Installation


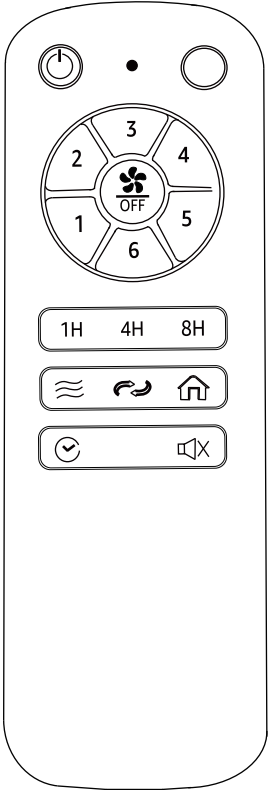


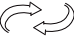





- First install the rubber wheel onto the mount bracket, then install the pre-assembled downrod onto the mounting bracket referring to the diagram.
- Install the pin, washer, and nut in sequence (tighten the nuts with a wrench), and secure them with an R-clip. (Note: Please use a wrench to fully tighten both nuts.)



- Locate the locking point and screw the lampshade into place by turning it upward.
- After installing the ceiling hook, bundle and secure the excess power cord with zip ties. Once the power is connected, the fan can be operated via the remote controller.


Remote Control

	All off	
1-6	Fan speed	
	Fan on/off	
	Natural wind	
	Forward or reverse rotation	
	Anti-theft mode (Press the button will turn off light and fan. Then, the light and fan will run for 10 minutes in every 4 hours.)	
	Delayed off Fan and will turn off after 5 minutes.	
	Remote controller mute	
1H 4H 8H	Fan stop after 1 hour Fan stop after 4 hours Fan stop after 8 hours	

To operate the fan, please install 2 AAA batteries (included) in the handheld remote transmitter. If not used for extended periods of time, remove the batteries to prevent damage to the transmitter. Store the remote away from excessive temperatures and humidity.

Remote Controller Pairing:

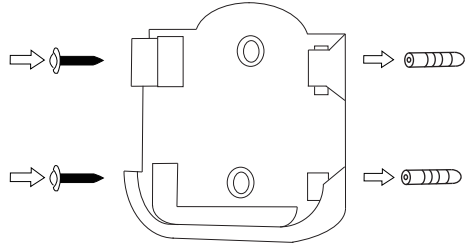
The remote controller can be used to control multiple ceiling fans.

1. For the ceiling fans you want to pair, turn the main power switch off for at least 1 minute.
2. Turn on the main power switch, then long press and hold the  button within 3s.
3. Wait for the fan receiver to make a beeping sound, then release the button.

If the pairing process is unsuccessful, please repeat the above steps.

Installing Wall Plate

Attach wall plate using the two provided screws.



Troubleshooting

PROBLEM	SUGGESTED REMEDY
If Fan Does Not Start	<ol style="list-style-type: none">1. Check if the remote controller is paired and battery is working.2. Check the outlet is in good condition.
If Fan Sounds Noisy	<ol style="list-style-type: none">1. Make sure all screws in the yoke are snug.2. Allow a "break-in" period of 24 hours. Most noises associated with a new fan will disappear after this period.3. Check if the fan blades are in contact with the something.
If Fan Wobbles	<ol style="list-style-type: none">1. Make sure that hook is scured.2. Make sure all screws in the yoke are snug.
Remote Does Not Work	<ol style="list-style-type: none">1. Battery out of power or not installed correctly; change new AAA battery and ensure well installed.2. Remote pairing, please refer to page 7.

Customer Service

30-Days Full Refund Guarantee

If you are not completely satisfied or the item isn't what you expected, just tell us within 30 days. We will give you a full refund unconditionally.

Friendly Reminder

It's better to contact us than leaving a negative shopping experience. Nothing is more important than your satisfaction, and we will do our best to serve you.

Quick Response within 12 Hours

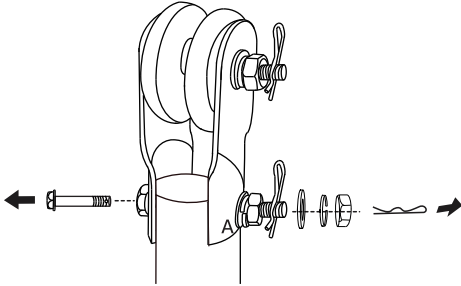
You can contact us without any hesitation at any time of the day, and we will reply to you within 12 hours. (It would be appreciated if you could provide us with a video or pictures, if available)

2-year Warranty

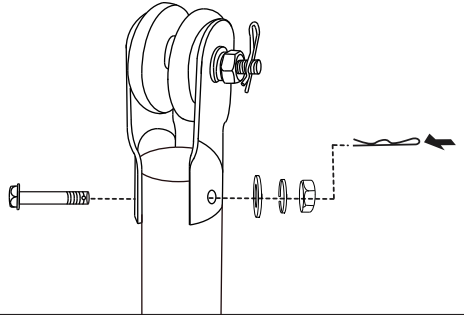
Your fan light comes with a two-year warranty. If a malfunction occurs due to product quality issues, we will assist in diagnosing the problem and provide replacement parts free of charge to ensure your fan light resumes normal operation.

Replace The Downrod

1



2



Remove remove the pin, nut , and washer at point A.

Select the appropriate length of downrod relative to the desired height. Install the hanging wheel clamp onto the suspension downrod according to the diagram.