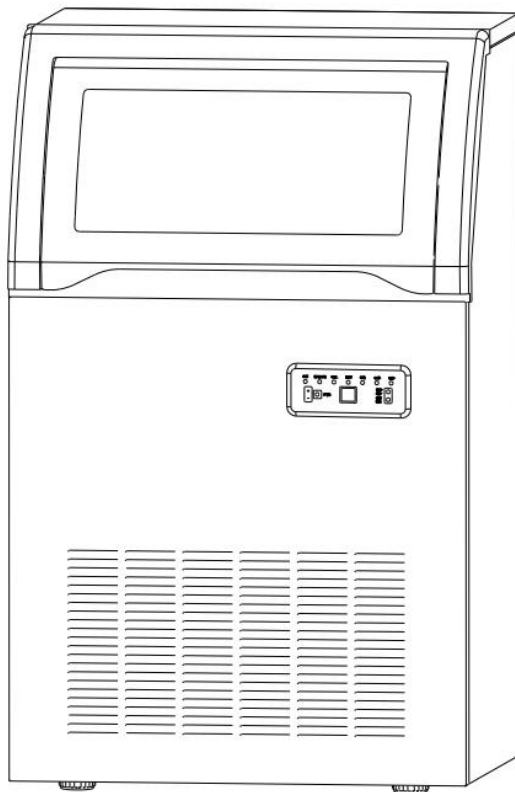


# ICE MAKER

## Instruction Manual



It is important that you read these instructions carefully and keep it for future reference.

**Support email: [icemaker@tazpi.com](mailto:icemaker@tazpi.com)**

**Phone number: (252)465-3438**



# IMPORTANT SAFETY INSTRUCTIONS

It is important that you read these instructions carefully and keep it for future reference. The picture is for reference only. Please be subject to the actual products.

When using electrical appliances, basic safety precautions should be followed to reduce the risk of fire, electric shock, and injury to persons or property. Read all instructions before operating the machine for the first time.

CAUTION: ICE CAN'T BE STORED IN THE ICE BIN DURING NIGHT-TIME, IT'S NOT FRIDGE, ICE WILL BE MELTED TO WATER AND GET OUT OF THE MACHINE.

1. If connect with water supply, CAUTION: must connect the potable water supply;
2. The machine is intended to be used indoors and similar applications such as:
  - staff kitchen areas in shops, offices, and other working environments;
  - farm houses
  - by clients in hotels, motels, and other residential type environments;
  - Catering industry and similar non-retail industry.
3. The machine should be used in household and without obstacles surrounded, good ventilation place. There must be 50cm at least between the four sides of the machine with the wall.
4. When using electrical appliances, basic safety precautions should be followed to reduce the risk of fire, electric shock and injury to persons or property. Read all instructions before using any appliance.
5. Don't operate this or any other appliance with a damaged cord.
6. Connect to properly polarized outlets only. No other appliance should be plugged into the same outlet. Be sure that the plug is fully inserted into the socket.
7. Don't place the machine and power cord near flammable material. Do not cover the cord. Do not submerge it in water.
8. We do not recommend the use of an extension cord, as it may overheat and become a risk of fire.
9. Unplug the ice maker before cleaning or making any repairs or servicing.
10. Exercise caution and supervision when the appliance is used near children.
11. Don't use your ice maker outdoors. Avoid direct sunlight and make sure that there is at least 50cm of space between the back and sides of your unit and the wall.

12. Don't use any liquid other than water in the unit to make the ice.
13. Do not clean your ice maker with flammable detergents. The fumes can create a fire hazard or explosion.
14. Do not tip the machine over.
15. If the ice maker is brought indoors from outdoors during the wintertime, give it a few hours to warm up to room temperature before plugging to a power source.
16. This unit should be properly grounded for your safety. The power cord is equipped with a three-prong plug mated with standard three-prong wall outlets to minimize the possibility of electric shock.
17. Plug your appliance into a dedicated, properly installed and grounded wall outlet. Do not, under any circumstance power and /or grounding should be directed toward a certified electrician.
18. The foaming materials inside are combustible which must be kept away from fire.
19. It's forbidden to pull the cable to unplug the plug, pull the plug is a must.

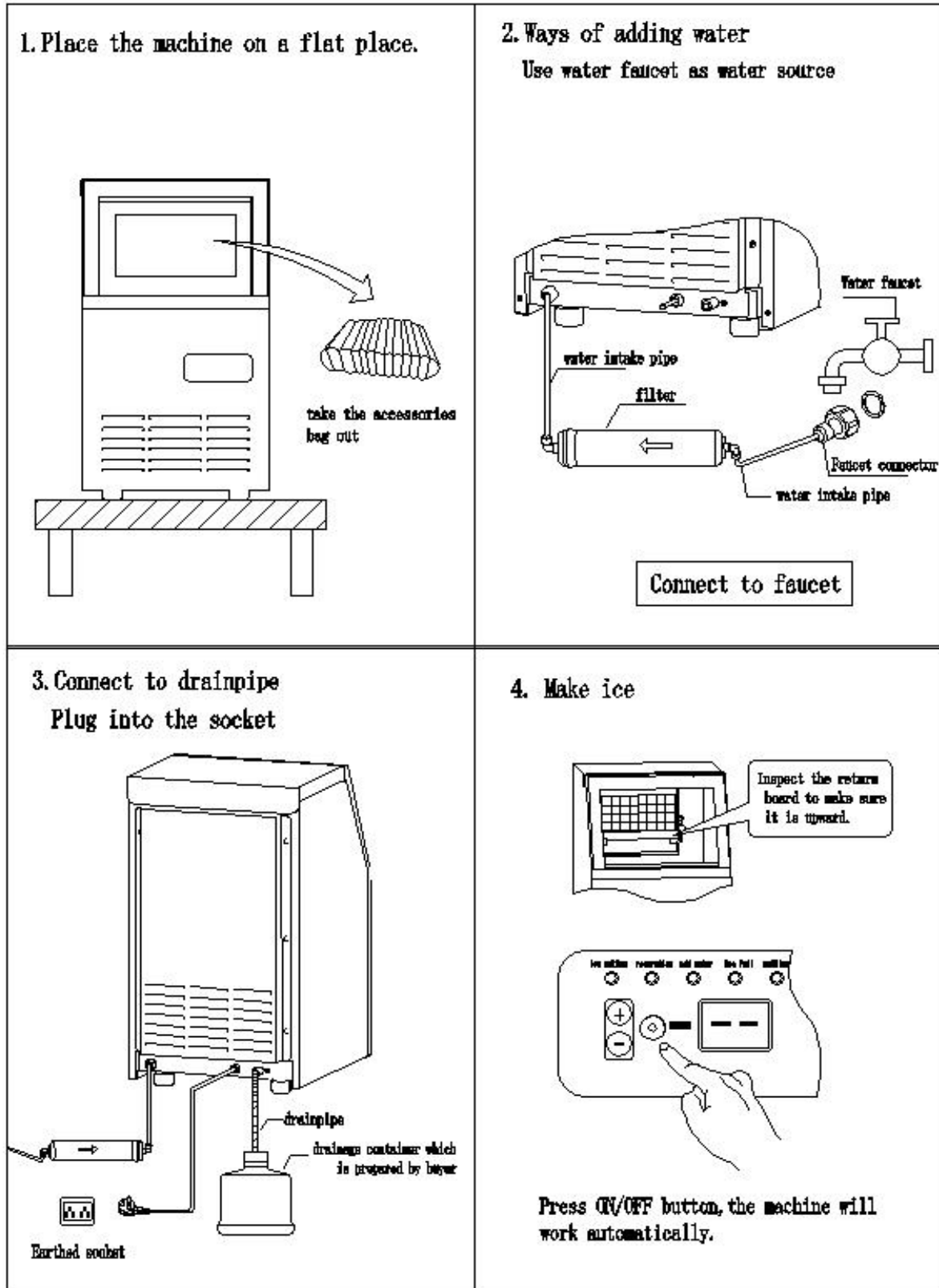
**IMPORTANCE:** To avoid hazards due to instability, the unit must be placed on an even and flat surface.

**WARNING:** The machine must be grounded and use a 110V ~ /60Hz power supply.

- 1) Only connect to drinking water sources that meet local drinking water standards.
- 2) In addition to the method recommended by the manufacturer, no mechanical equipment or other methods should be used to accelerate the defrosting process, which will damage the system.
- 3) The refrigeration system contains a high-pressure refrigerant, and the refrigeration system must not be damaged. Special care must be taken during installation and handling, installation and maintenance must be performed by a professional, and scrap must be disposed of by designated recycling departments.
- 4) The ice machine has thermal insulation materials, which are flammable materials, and must be kept away from the fire source.

# Quick installation diagram

Note: The picture is for reference only. Please be subject to the actual products.



**NOTE: Installation must be operated by a professional.**






# UNPACKINGYOURICEMAKER

Warning:Please keep foam and other packaging materials from children and disabled people, as this may cause danger to them.

NOTE: Please remove all packages when using,or else the machine may not work properly.

a) Remove the packaging and check whether the machine is intact.

b) Open the accessory package and check whether the accessories are included.

<b>Accessories list</b> (Please be subject to the actual products)				
<b>NO</b>	<b>Description</b>	<b>Picture</b>	<b>Usage</b>	<b>QTY</b>
<b>1</b>	Manual		Operation manual	1PC
<b>2</b>	Filter		Filter water	1PC
<b>3</b>	Drainage pipe		Drain	1PC
<b>4</b>	Ice spoon		Take ice cubes	1PC
<b>5</b>	nylon cable ties		Fix pipe if needed	2PCS
<b>6</b>	Hoop		fasten the outlet and the drainage pipe together if needed	1PC
<b>7</b>	Seal ring		Do put it in the faucet of the intake pipe,the other one is spare.	2PCS
<b>8</b>	Spare blue clip		Spare blue clip if needed.	2PCS
<b>9</b>	Spare plug		Spare plug	1PC
<b>10</b>	Tape		Pack the machine if needed.It's just for the machine which packed by wooden base.	1PC

## The placement of the machine

a) Findalocationforyouricemakerwhereit'sprotectedfromdirectsunlightandother sources of heat(i.e.stove,furnace,radiator). Place the ice maker on a level surface.

Makesurethatthereareatleast5inchesofspacebetweenthebackandsidesofyour ice maker and the wall.

b) The ambient temperature around the machine should not be lower than 3°C, not higher than 40°C, ensure there is at least 50cm of space between the

back and sides of your unit and the wall.

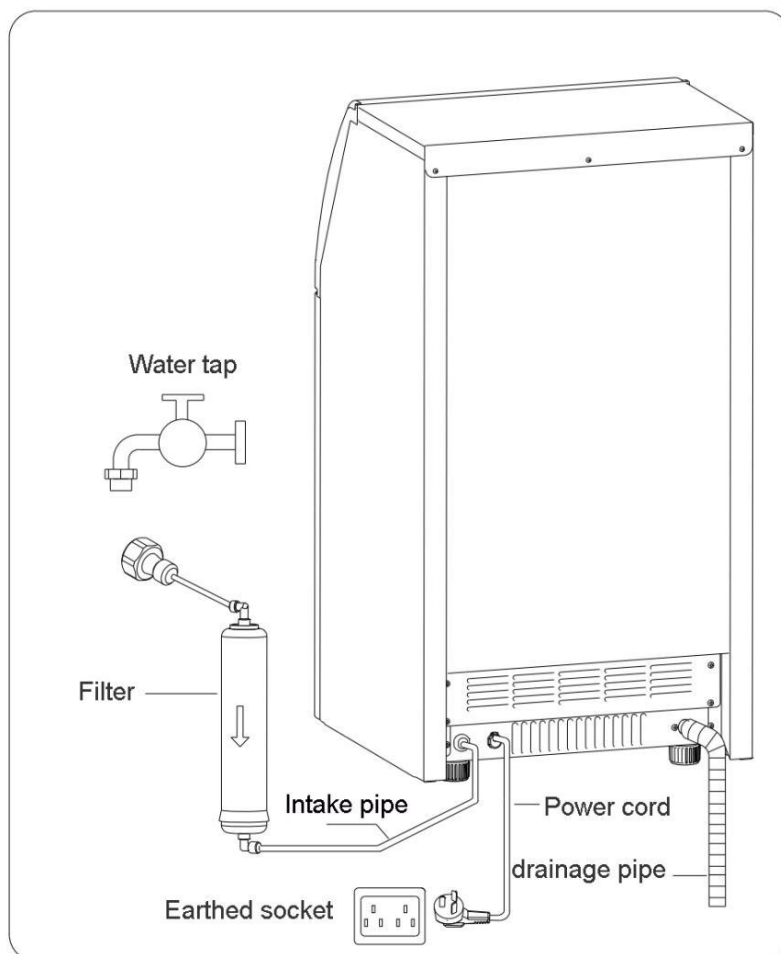
- c) The machine should be placed in a stable place.
- d) Please do not put anything on top of the machine.
- e) After you unpack the machine, we recommend you to leave it for 24 hours before turning it on.
- f) Clean the interior with lukewarm water and a soft cloth or clean the unit using the Self-Clean function.
- g) The appliance must be positioned where the plug is accessible.

## 2) Water connection of the machine

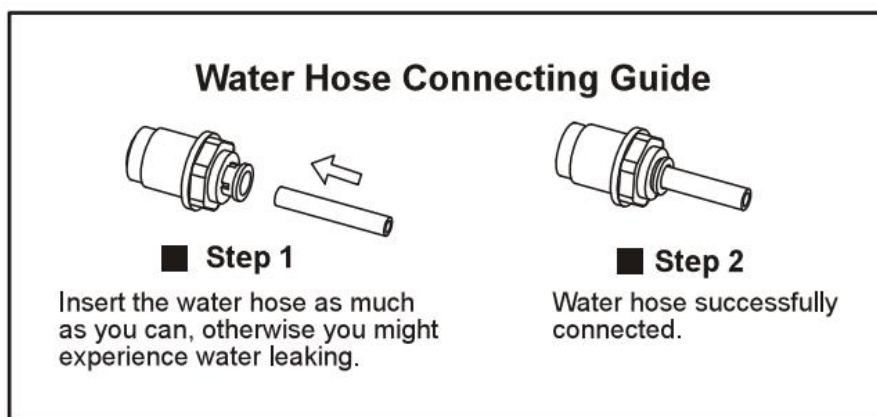
Warning:

- a. The ice machine can only be connected to a drinking water source, and the water source must comply with local drinking water standards.
- b. The water supply to the ice maker must be connected to a filter to improve the drinking standard of the water. Please do not directly connect to tap water.
- c. The water supply pressure should be within 0.1-0.4MPa, if the pressure is greater than 0.4MPa, a pressure reducing valve needs to be connected.
- d. The machine is drained by its own weight, so the drainpipe should have sufficient height.

### 3-1) Water intake



We suggest you change the water filter for about 3 months according to your local water quality situation. The cleanliness of the ice depends on the water and the cleaner the water the longer the life of the ice machine will be. If you want to buy the original filter, please contact us directly email: [icemaker@tazpi.com](mailto:icemaker@tazpi.com)

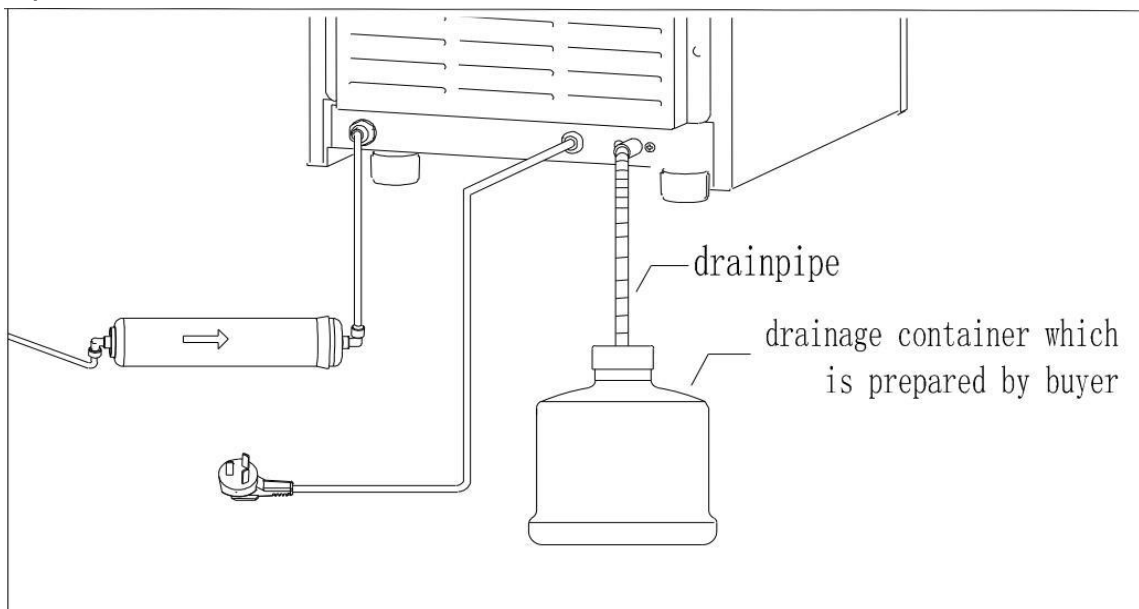


If you have questions about the connection, we can send the tutorial video to guide you, please contact: [icemaker@tazpi.com](mailto:icemaker@tazpi.com), phone number is (252)465-3438

### 3-2) Drainage

Warning: Because the ice in the inner tank will melt, the drainpipe must be connected before using, and insert the drainpipe into a container or into the sewer.

Note: Connect one end of the drainpipe to the machine and the other end to a container or sewer. The other part of the drain pipe must be lower than the drain port of the machine.



If you need a suitable drain pump, you could contact us by email.

Email Address: [icemaker@tazpi.com](mailto:icemaker@tazpi.com)

Phone Number: (252)465-3438

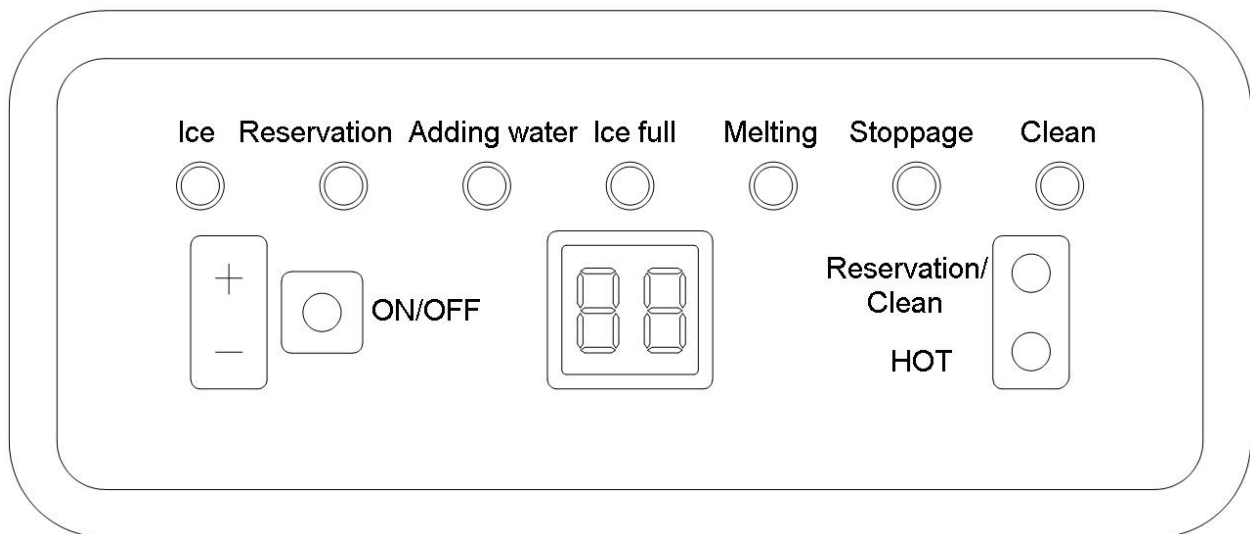
We will guide you

## 4)Electrical connection

### WARNING:

- 1) The machine must be grounded and use a 110V~/60Hz power supply.
- 2) The fusing current of the PCB is 15A,If it is to be replaced,must be operated by a technician.
- 3) voltage fluctuation can't exceed  $\pm 10\%$  than the rated voltage,or a Voltage stabilizer is needed.
- 4) The blue light installed inside the machine must be replaced by a professional.

## MACHINE OPERATIONS



### Operation Panel

#### Ice making operation:

1. Connect the machine to the power and press the "ON/OFF" button. The "ice making" indicator will light on.
2. Press the "+"/"-" button to set the count down time for the ice making procedure (The time range is from 5 minutes to 50 minutes). The machine will enter the ice making procedure.
3. When the count down of time is finished, the "melting" indicator will light on. The ice cubes will come off the freezing panel later.
4. After the ice cubes come off. The machine will enter another loop of ice making automatically.

#### Auto Turning On/Off:

1. When the machine is turned off while connected to the power, press the "Reservation/Clean" button and the "+"/"-" button to set the auto-turning-on time (in hours). The machine will automatically turn on after the count down is finished.

2. When the machine is at the middle of ice making, press the **"Reservation/Clean"** button and the **"+"/"-"** button to set the auto-turning-off time(in hours).The machine will automatically turns off after the count down is finished.

### **Self-cleaning:**

1. When the machine is turned off while connected to the power, press the **"Reservation/Clean"** button and hold it for a while.The machine will automatically enter self-clean program.

### **Notes:**

- (1) If you change the countdown time during the middle of the ice making procedure, it will take effect at the next loop. You can long press the **"HOT"** button during the ice making to unload the ice cubes ahead of time. Press **"HOT"** to turn off the inner blue light, press again to power on the blue light.
- (2) The surrounding environmental temperature will influence the time needed for ice making.

### **Warning:**

1.To keep the ice cubes clean,wash your hands and use the scoop to take the ice cubes.

1. Don't store any others except ice in the tank.

The use of any electrical appliances must follow basic guidelines, especially:  
A high humidity environment will increase the risk of short circuit or electric shock. If in doubt, please cut off the power of the machine.

It's forbidden to stop the machine by pull down the plug directly.

When there is no adult supervision, the ice maker cannot be used by children or elderly people.

## **CLEANING & MAINTENANCE**

Please thoroughly clean your ice maker before initial use.

**EXTERIOR:** the outside of the ice maker should be cleaned regularly with a mild detergent and warm water. Always use a soft cloth to avoid scratching or damaging the housing.

**SPOON:** clean with mild detergent and warm water in week.

**Storage tank:** clean with mild detergent and warm water in week.

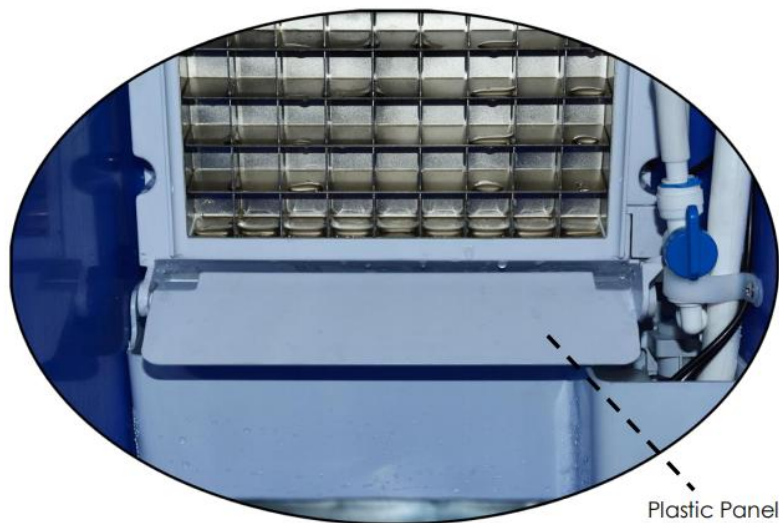
**PUMP:** clean with mild detergent and warm water in week. Turn off and unplug the machine,take the pump out,clean it with a brush then install it back.

**INTERIOR:** please use the following Self-Clean function:

1. Add water and vinegar or lemon juice mix (1:1 ratio)
2. Plug in unit,press and hold the CLEAN button for approximately 3 seconds,then release.The unit will automatically enter Self-clean program. This process takes about 5-6 minutes.When the Self-Clean program is finished,unit will automatically power off.
3. The fan blade will be rotating.This process rinses the inside parts several times.
4. After the Self-Clean program is completed,unplug the power cord and drain out the water by unplugging the drain cap on the side.Replace drain cap.
5. Add fresh water to the water reservoir,up to the water level mark.
6. Plug the unit and repeat the Self-Clean process by repeating steps 3 to 5. This will rinse out the vinegar/lemon residue.
7. After draining the water,replace and tighten drain cap.
8. Dry the interior and exterior with a clean,soft cloth.

NOTE: It is strongly recommended to clean the unit before initial use or after the unit has not been in use for a long period of time.

## NOTE



As the production of ice cubes increases, the plastic panel inside the machine (shown above) might be pressed down by the ice cubes. When the plastic panel is pressed down, the machine will stop producing ice cubes automatically and the "ice full"indicator will light on. Please clean out the ice cubes regularly for continuation of ice making.

# Common malfunction analysis

E1	Ice full indicator is on, and proximity switch didn't react	Evaporator connector didn't assemble well	Re-install the connector
		Proximity switch is not sensitive	Replace the switch
		The connector didn't return to original position	Take away the ice to make the connector return to original position
E2	Normal to make ice	Stop every 4 cycles, and the process of ice drop continued for 5 min	Proximity switch is not sensitive, replace it
	No water in the tank	The water tank is not plugged	Put the plug back
		Use barreled water as water source	The blue tap didn't rotate to vertical
		Use barreled water as water source, but no water flow down	The water pipe was jammed, disconnect and clean it.
	Water slopped over the tank	Use tap water as water source	Check the water supply
		Use barreled water as water source	Check whether the water pipe was inserted well or not
		Use tap water as water source	The blue tap didn't rotate to horizontal
	Water in the tank	No water or low flow	Pump is badly clogged up, replace or clean it
			The spray pipe is clogged up, clean it
	Water flow and water get cool	Thin ice on the evaporator	Increase the making time through "+"
		very solid ice on the evaporator	Reduce the making time through "-"
		Some water sprayed to ice storage tank	Adjust the spray pipe
	Water flow down but water is not cool	The water leak from the back of water tank	The tank need to be adjusted.
		The main board didn't supply electricity to compressor	Replace by a new main board
		Compressor didn't work	Check the starter, replace by a new one if needed
Compressor is very hot		Replace	
E3	The fan is not work	Compressor work but the connected copper pipe didn't get cool	The compressor leak
		The condenser prob is not sensitive	Unplug the prob or replace by a new one
		The fan is jammed	Adjust the fan
E4	Ice full	Fan is broken	Replace by a new fan
		The connector didn't return to original position	Take away the ice to make the connector return to original position

**If your ice maker shows E1,E2,E3,E4 code, but you can't solve it, please take a video to us, we can help, please contact: icemaker@tazpi.com, phone number is (252)465-3438**

**If you have any questions, please contact us:  
Support email: [icemaker@tazpi.com](mailto:icemaker@tazpi.com)  
phone number: (252)465-3438**

**This is our YouTube channel,  
if you need tutorial videos, you can subscribe us and watch.**

