

# HAPPINESS HAPPINESS INSTALLATION



- If you have any questions with the product, please contact us by:
- **Email: [customerservice@zoy-living.com](mailto:customerservice@zoy-living.com)**  
(we will reply to you within 24 hours)

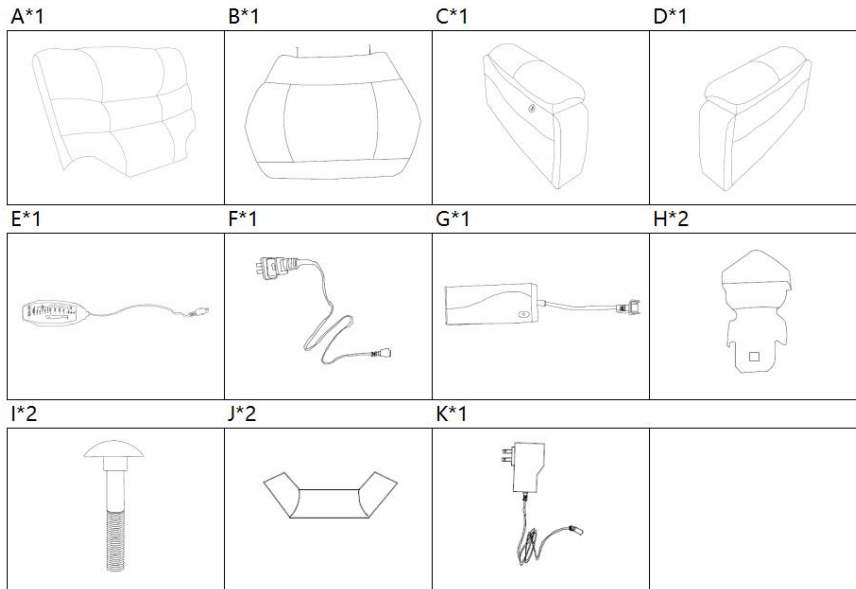
# Assembly Instructions

## CD0307AF21D

Your recliner comes packaged in **3 boxes**, which may not arrive on the same day. Please wait an additional 2 to 3 days for all packages to arrive before assembling.

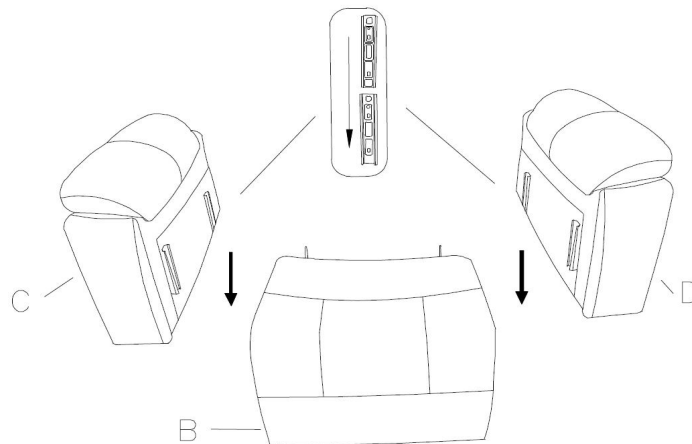
**CAUTION**  
**DO NOT** use any sharp objects to open plastic wrapped components as this may result damage to product or components

## Package Contents



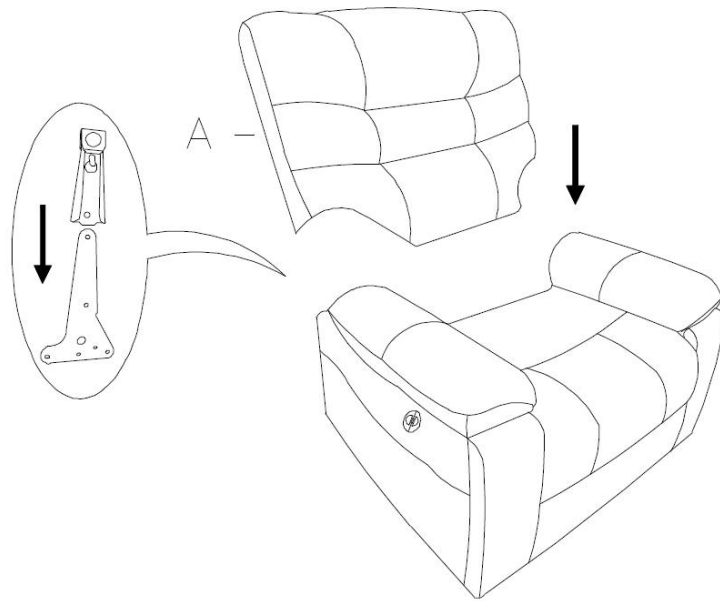
### Step 1:

Install the **Armrests (C,D)** on the **Seat (B)** through the metal sliding rail, and make sure the installation is secure after it is completed.



**Step 2:**

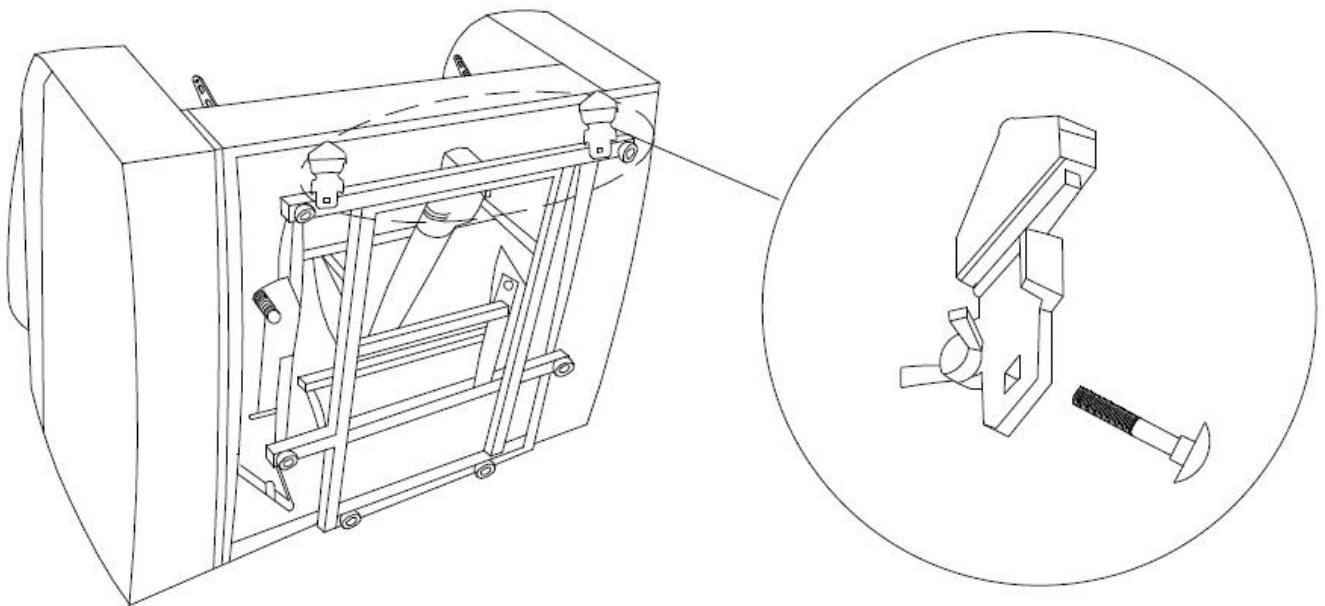
Install the **Backrest (A)** on the **Seat (B)** via the metal slide, and make sure the installation is secure after it is completed.



**Step 3:**

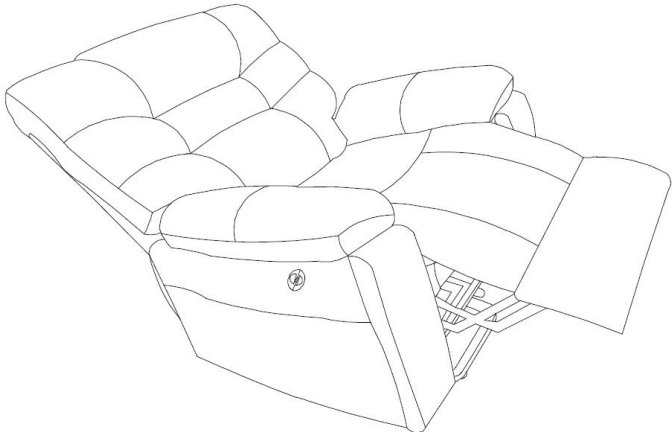
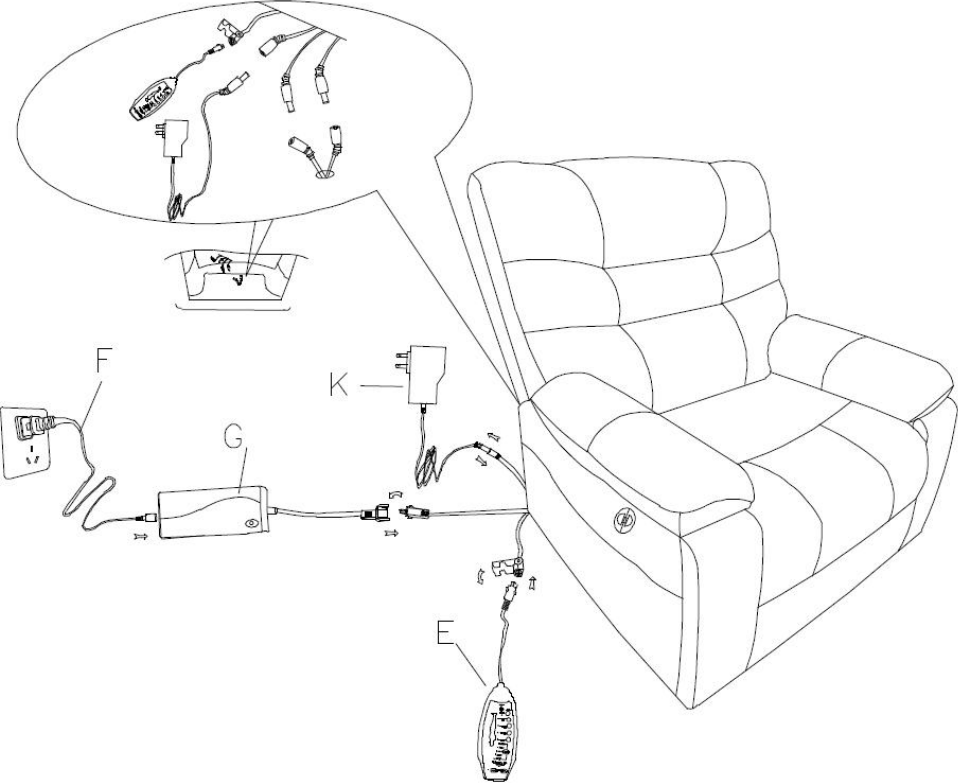
Combine the **Seat Stabilization Kit (H)** and **Screws (I)**, install them on the bottom of the **Seat (B)**, and secure them with the **Nuts (J)**.

Note that it is important to install this accessory as it will greatly increase safety.



**Step 4:**

Please connect the power cord according to the connection in the diagram



## Warnings

1. Please check if the components of the recliner are all included and can be used normally as the 5th tip.
2. Assemble all components according to the instruction correctly before you connect the chair with the power.
3. Please DO NOT sit on the armrests and footrest to eliminate the risk of tipping over.
4. If the recliner is damaged or doesn't match the website product, please send clear pictures of the product and label of the carton to our service team, and we'll help you to solve the problem.
5. If the recliner doesn't work, you can try the following measures for self-checking firstly:

- ① Check if all the cable are connected;
- ② Check if the light of transformer is on.

If the recliner still doesn't work, please feed the information back to the customer service in time. We will help solve the problem for you as soon as possible.

6. If you have any questions with the product, please contact us by:

**Email:** [customerservice@zoy-living.com](mailto:customerservice@zoy-living.com) (we will reply to you within 24 hours)

