

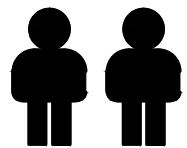
# Owner Manual



Weight Limitation  
**200 LBS**



Installation:  
45 minutes.



Two Person

Thank You For Choosing Our Furniture

- ▀ If you have any questions or concerns, don't hesitate to reach out to us. ▀

## NOTE:

This brochure contains **IMPORTANT** safety info. Please read and keep it for future reference.

# MAINTENANCE AND WARNINGS



## Before You Start

### *Please follow the steps below:*

- ⚠ Check the packaging for any damage, deformation, or water stains. If there is significant damage, please contact us promptly.
- ⚠ Unpack the box and compare the contents with the parts list and hardware list to ensure all components and accessories are present and complete.
- ⚠ Please read the installation instructions carefully to understand the installation steps and precautions to ensure proper installation.
- ⚠ Clean the installation area in advance and ensure the ground is level and there is enough space to avoid damaging the furniture or making installation difficult.
- ⚠ Lay a protective mat on the ground to prevent scratching the floor during installation.

### *After-Sales Service*

- If you encounter any issues or need technical support during use, please contact our after-sales team. We offer long-term maintenance and warranty services.



## Precautions

- ⚠ This product is for indoor use only. Do not expose it to outdoor elements or high-humidity environments.
- ⚠ Keep the product away from high heat or open flames to prevent fire hazards.
- ⚠ Do not allow children to climb on the product, as this may cause tipping and result in personal injury.



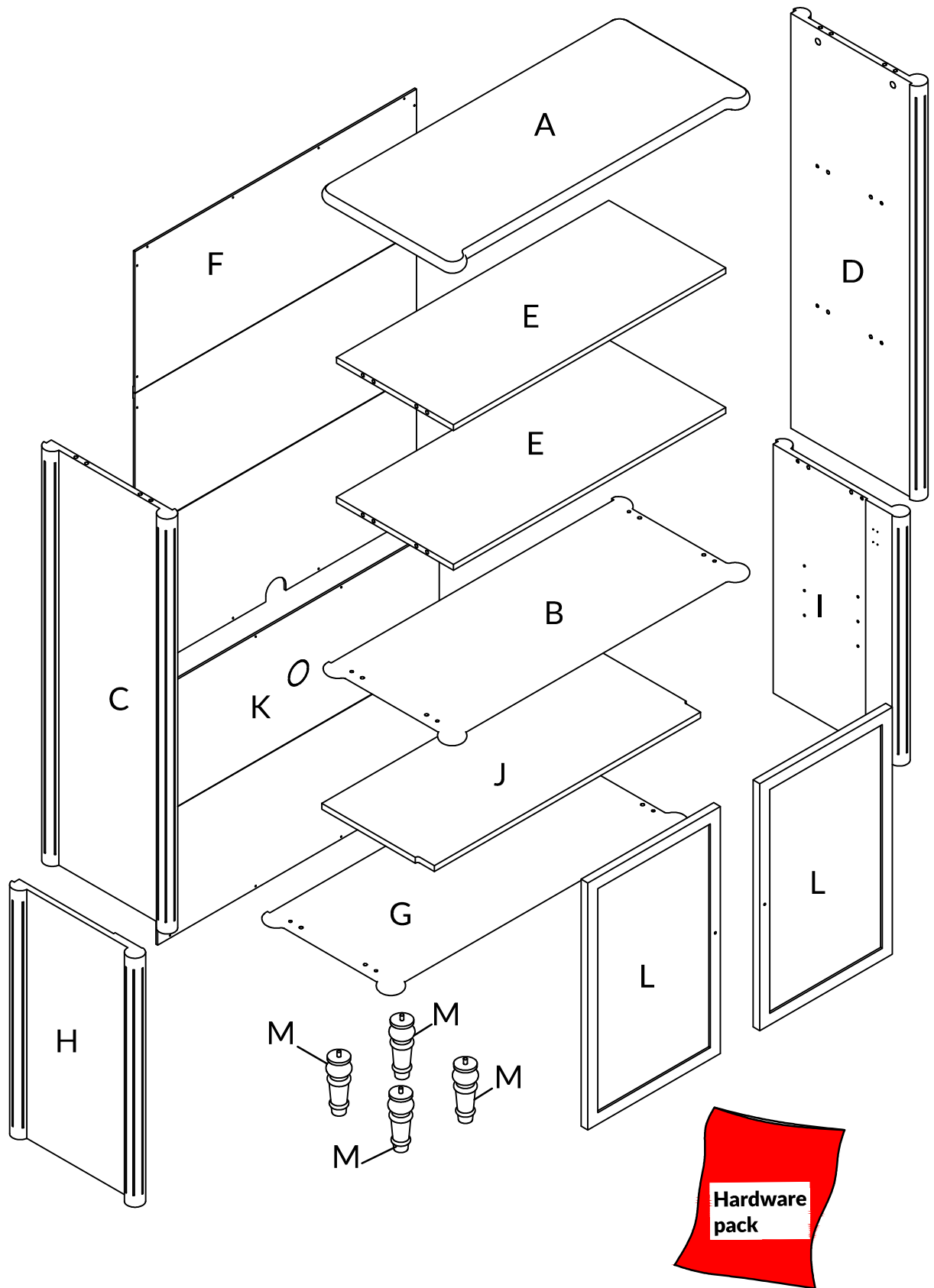
## Safety Warnings

- ⚠ If you notice any loose or damaged parts, stop using the product immediately and contact customer service.
- ⚠ Do not attempt to disassemble or replace any components yourself, as this may affect the stability and safety of the product.

### ***Daily Maintenance***

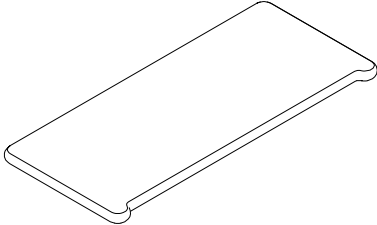
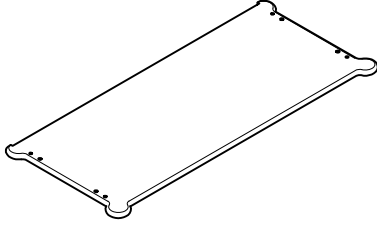


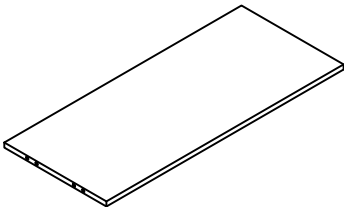
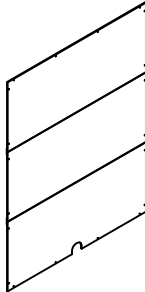
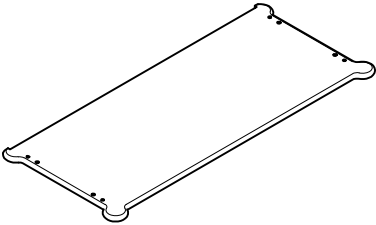
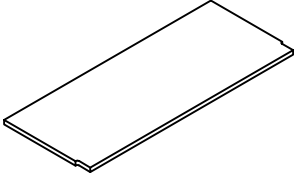
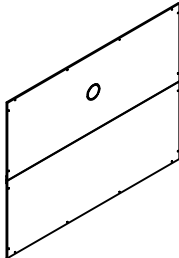
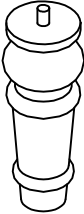

- Regularly clean the surface with a soft cloth to prevent dust accumulation.
- Do not use cleaning agents containing acids, alkalis, or corrosive substances, as they may damage the surface. It is recommended to use neutral cleaning agents or specialized furniture cleaners.
- Avoid exposing furniture to humid environments for extended periods. Use a dehumidifier or desiccant during humid weather.
- Avoid direct contact of furniture with water. If water is accidentally spilled, wipe it dry immediately.
- Avoid placing excessively heavy objects on the furniture: ensure the weight is within a reasonable load-bearing range.
- Avoid using sharp or rough items on the furniture surface to prevent scratches. Handle items gently when moving them.

**Explosive view**



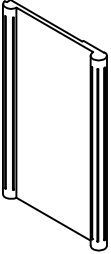
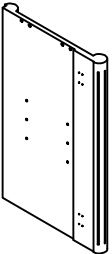
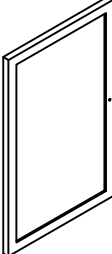
## Parts list

### Box A

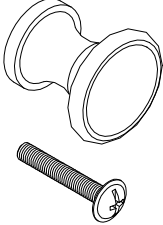
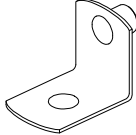
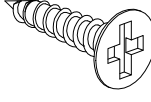
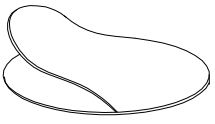

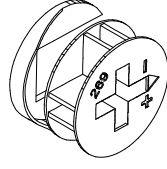
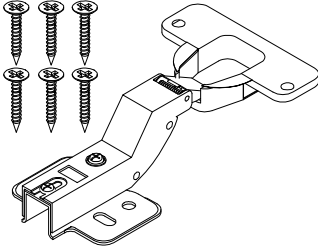
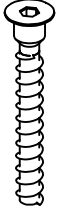
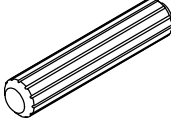
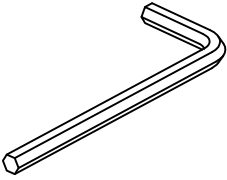
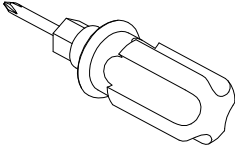
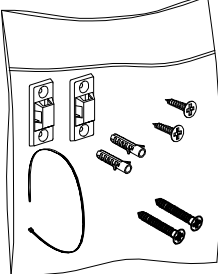
<p>A x1 Panel</p> 	<p>B x1 Upper bottom plate</p> 	<p>C x1 Upper left plate</p> 
<p>D x1 Upper right plate</p> 	<p>E x2 Upper plate</p> 	<p>F x1 Upper back board</p> 
<p>G x1 Base plate</p> 	<p>J x1 Lower plate</p> 	<p>K x1 Lower back panel</p> 
<p>Mx4 Cabinet leg</p> 	<p>N x1 Hardware Pack</p> 	

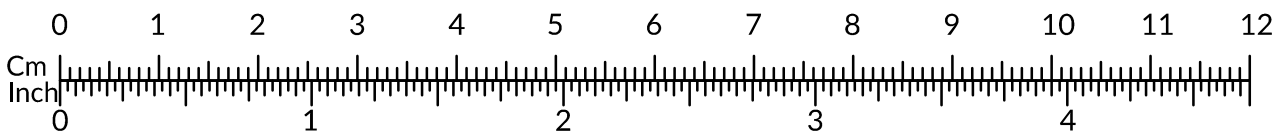
## Parts list

### Box B

<p>H x1 Lower left panel</p>  A perspective drawing of a rectangular panel with a double-line border and a slightly raised top edge.	<p>I x1 Lower right plate</p>  A perspective drawing of a rectangular plate with a double-line border, a slightly raised top edge, and four small circular holes arranged in a 2x2 grid on the front face.	<p>L x2 Door panel</p>  A perspective drawing of a rectangular panel with a double-line border and a slightly raised top edge, similar to the lower left panel but with a different internal structure.
---	---	--

## Hardware List

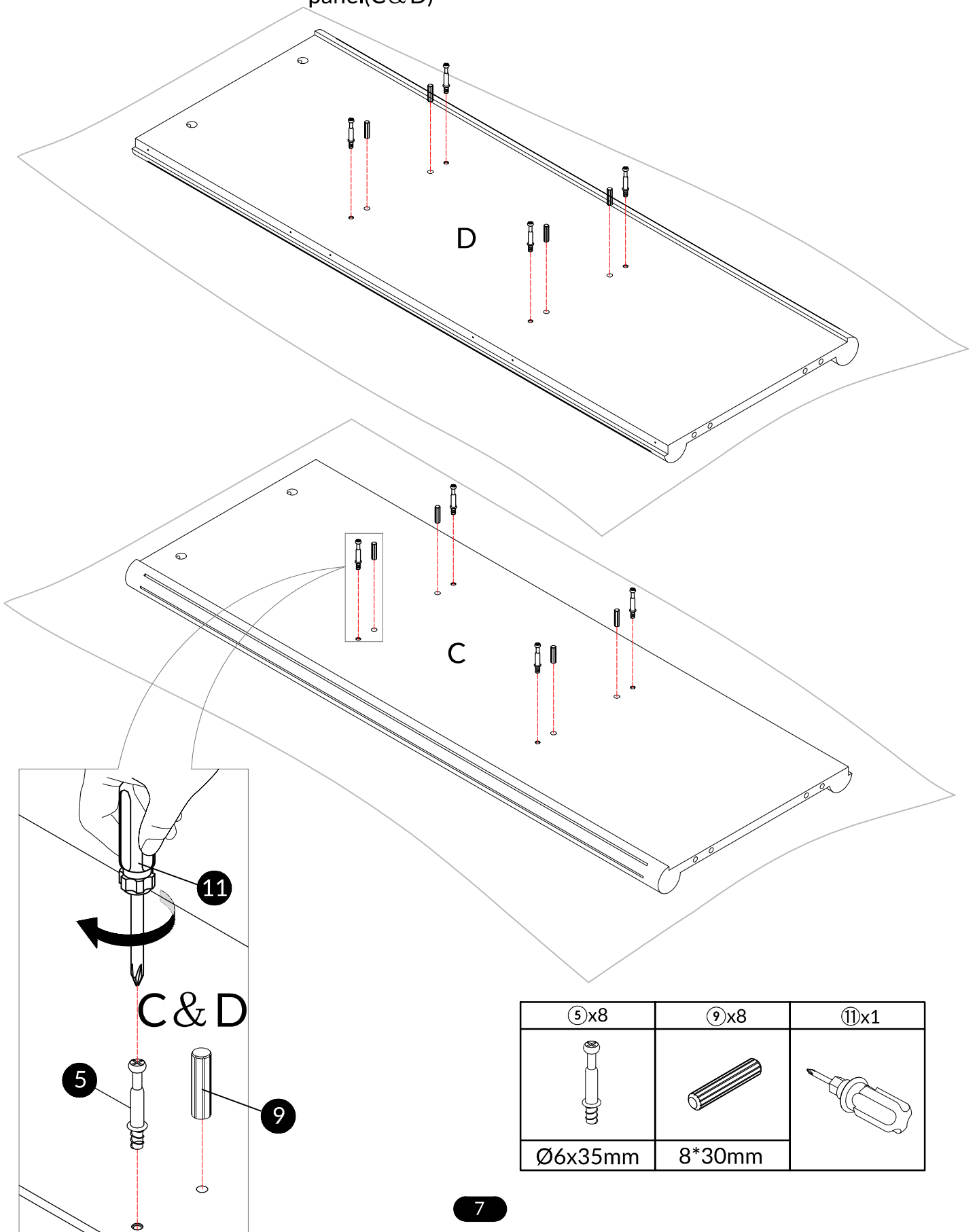
<p>①x2 Handle</p>  <p>4x25mm</p>	<p>②x4+1 Shelf bracket</p> 	<p>③x36+3 Screw</p>  <p>Ø3x19mm</p>
<p>④x16+3 Screw hole sticker</p>  <p>φ21</p>	<p>⑤x16+3 Screw</p>  <p>Ø6x35mm</p>	<p>⑥x16+3 Cam bolt</p>  <p>Ø15x9.5mm</p>
<p>⑦x4 Hinge</p> 	<p>⑧x8+1 Screw</p>  <p>M6x50mm</p>	<p>⑨x24+3 Wood plug</p>  <p>8x30mm</p>
<p>⑩x1 Hex key</p>  <p>M4</p>	<p>⑪x1 Cross wrench</p> 	<p>⑫x2 Anti-tip hardware kit</p> 



**Note: Before installing the screws, please first distinguish the length of the screw rods.**

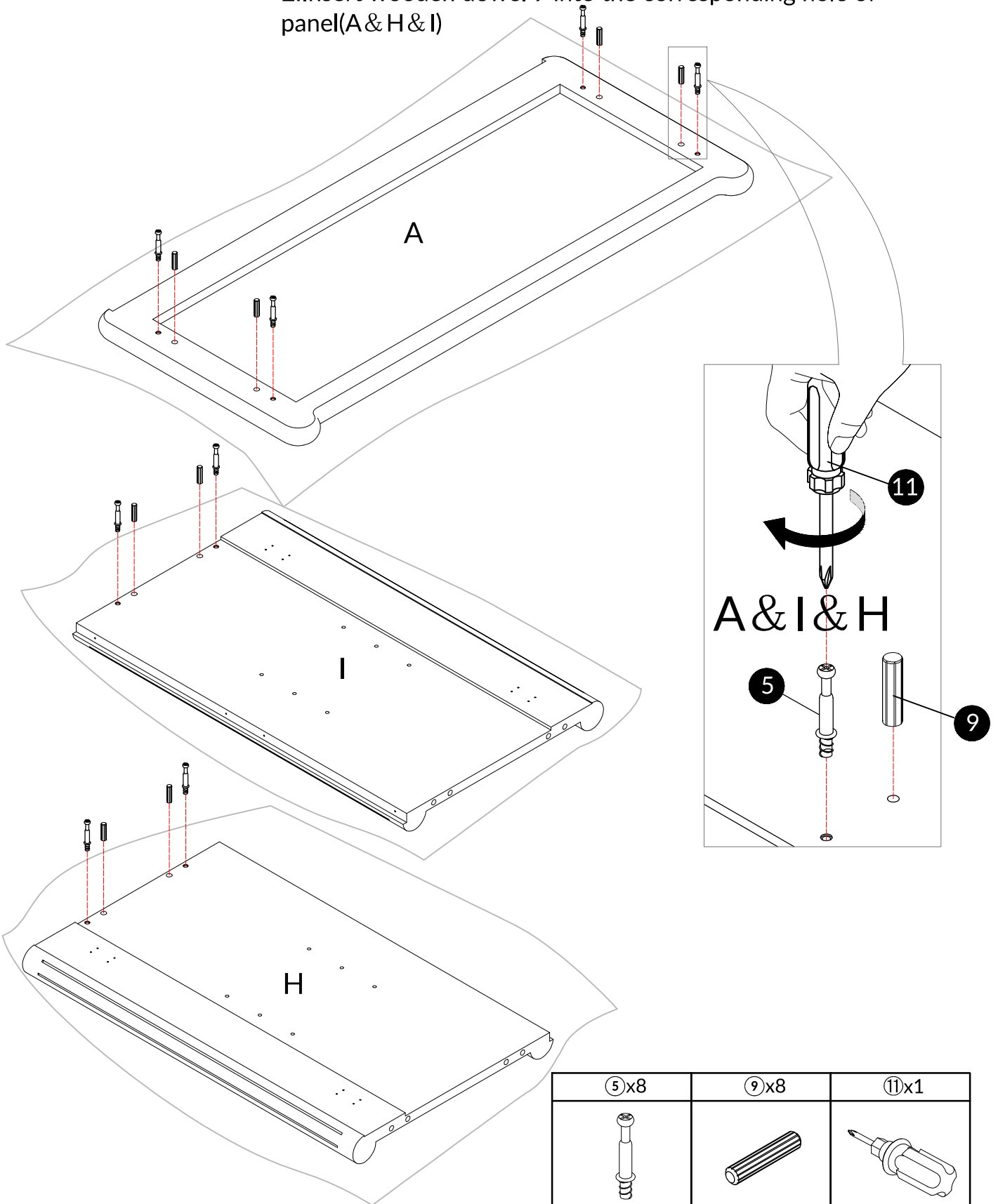
## Step 1


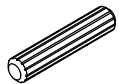
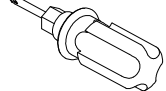
1. Insert bolt 5 into the corresponding hole of top panel (C & D), tighten bolt 5 with screwdriver 11.
2. Insert wooden dowel 9 into the corresponding hole of panel (C & D)



## Step 2

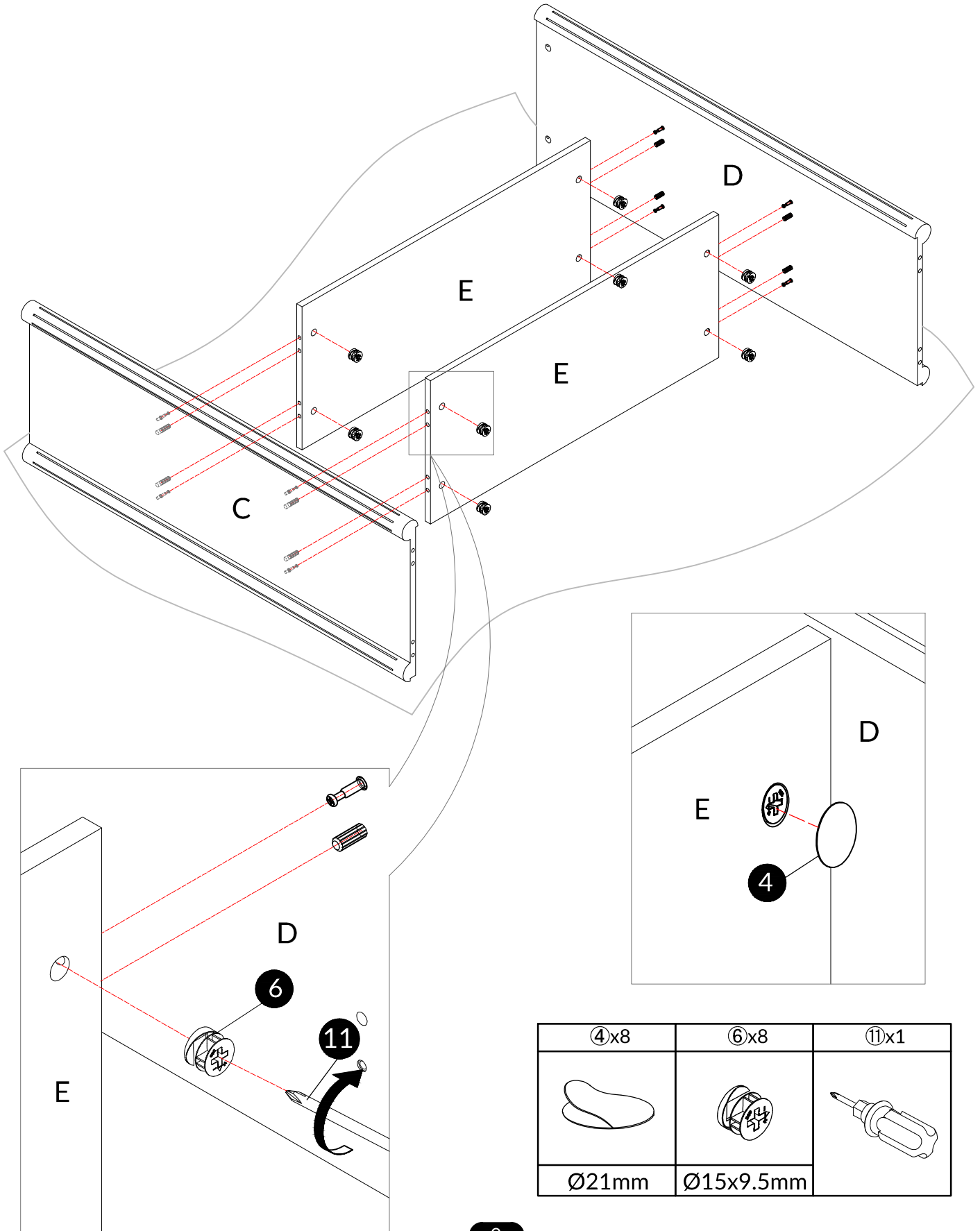
1. Insert bolt 5 into the corresponding hole of top panel (A & H & I), tighten bolt 5 with screwdriver 11.
2. Insert wooden dowel 9 into the corresponding hole of panel (A & H & I)



⑤x8	⑨x8	⑪x1
		
Ø6x35mm	8*30mm	

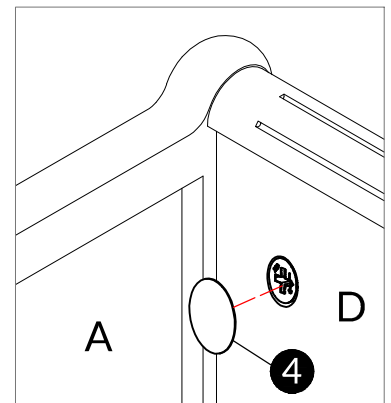
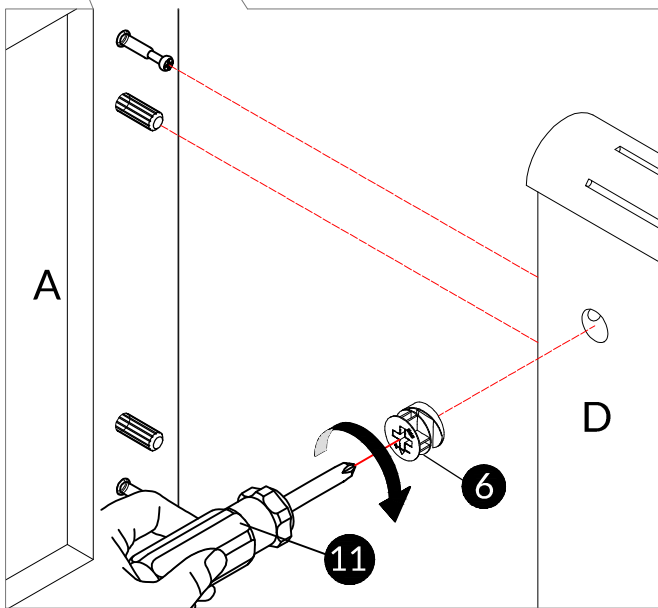
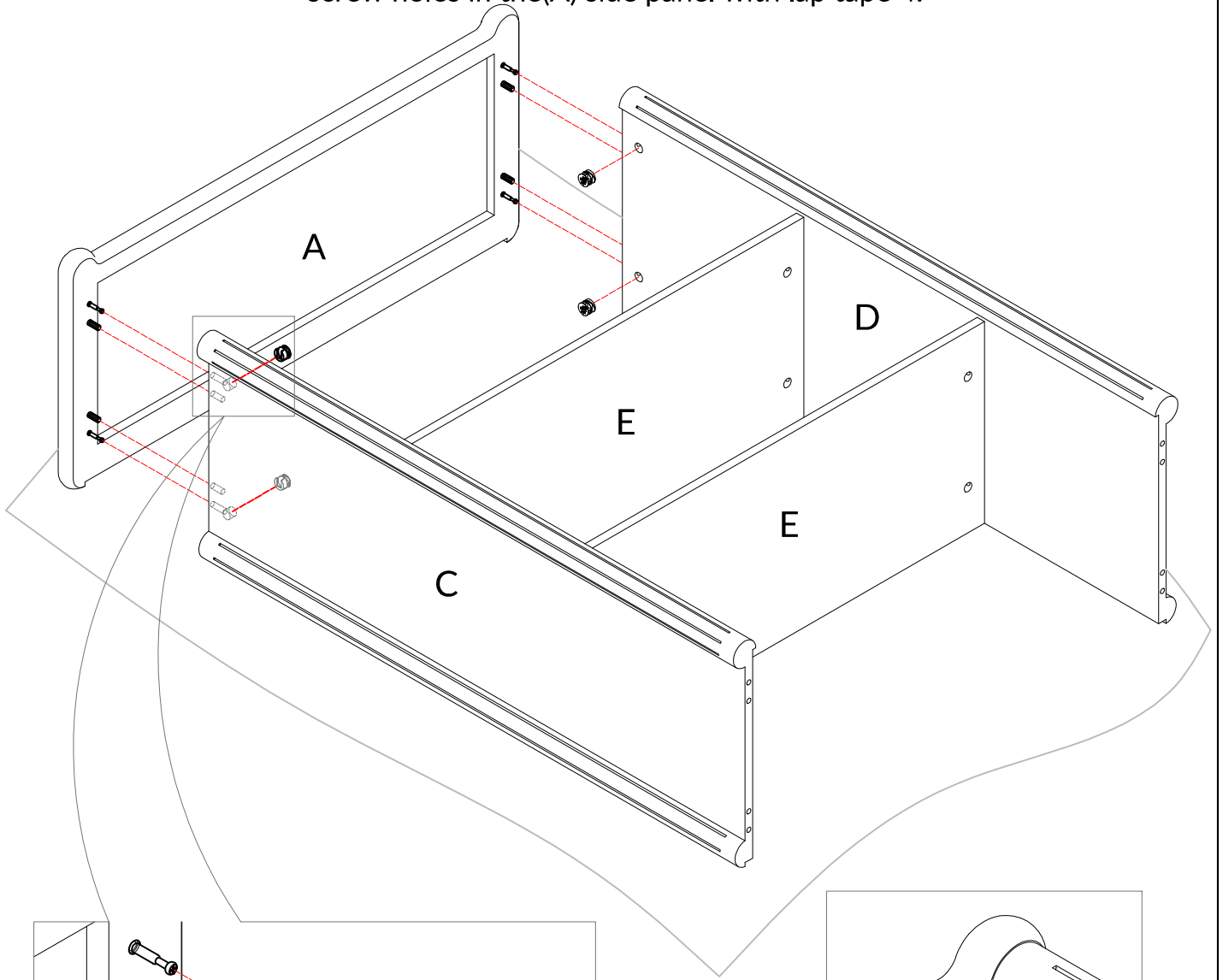
### Step 3

Insert the panels (E) into the side panels (C&D), make sure all holes are aligned and insert cam bolt 6 into the corresponding hole of panel (E), tighten cam bolt 4 with screwdriver 11, Cover the two screw holes in the (E) side panel with lap tape 4.



### Step 4

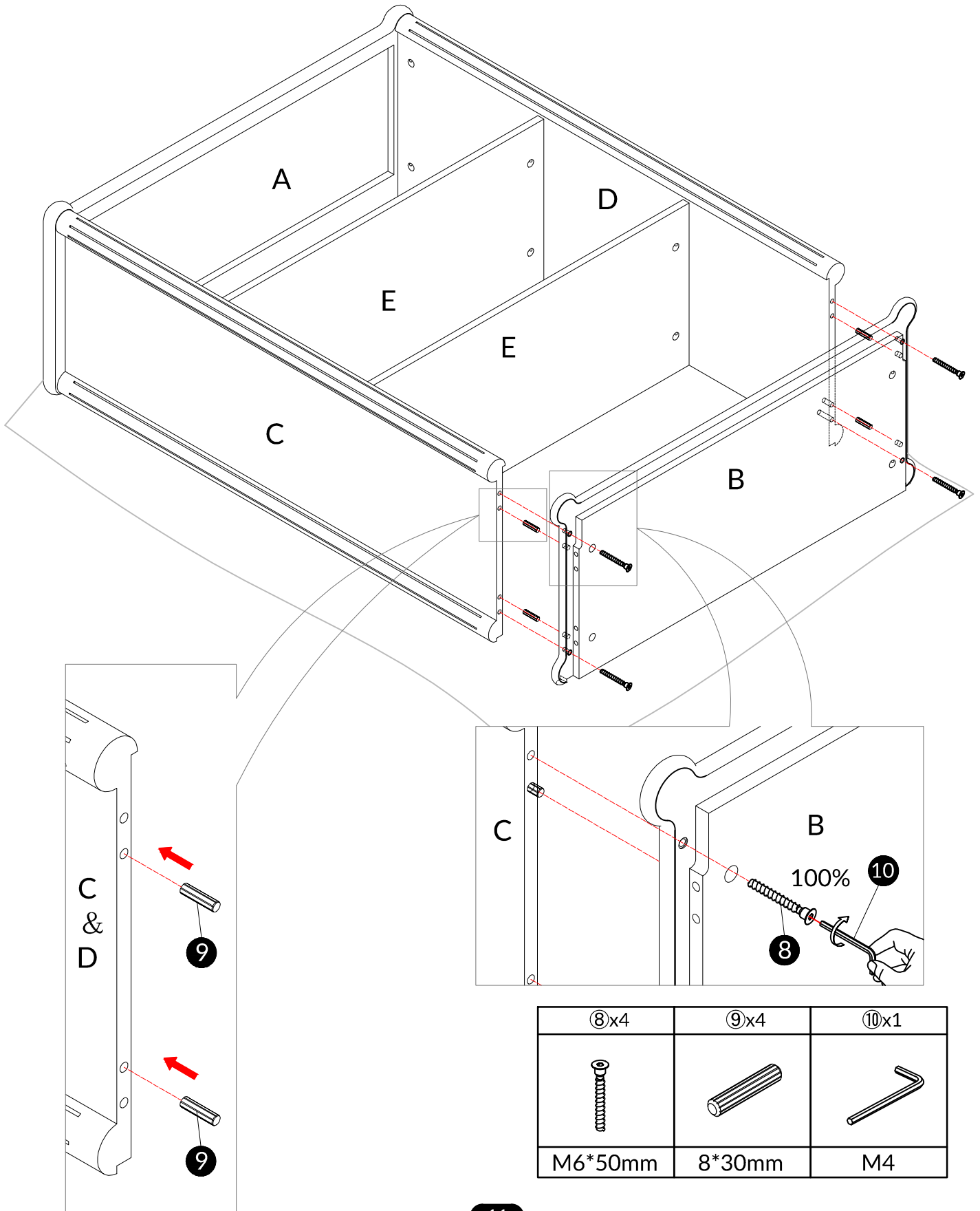
Insert the panels (C&D) into the side panels (A), make sure all holes aligned and insert cam bolt 6 into the corresponding hole of panel (C&D), tighten cam bolt 4 with screwdriver 11, Cover the two screw holes in the(A) side panel with lap tape 4.



④x4	⑥x4	⑪x1
Ø21mm	Ø15x9.5mm	

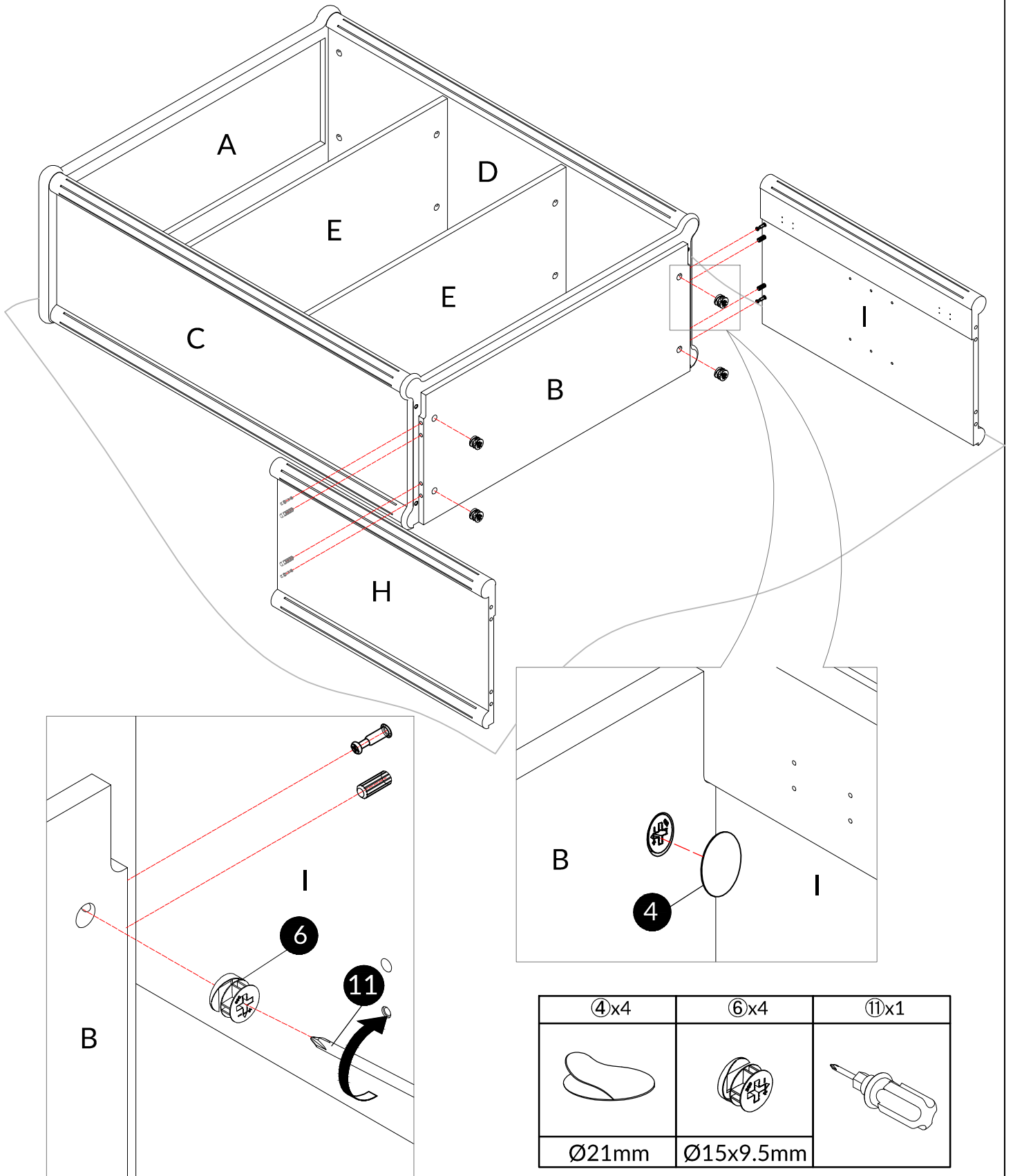
### Step 5

1. Insert wooden dowel 9 into the corresponding hole of panel(C&D)
2. Then align the holes in part(B), Insert screw 8 and push it down so that it connects to parts (C&D). Next, and tighten the screw 8 with an Allen key 10 to 100% in Step 5.



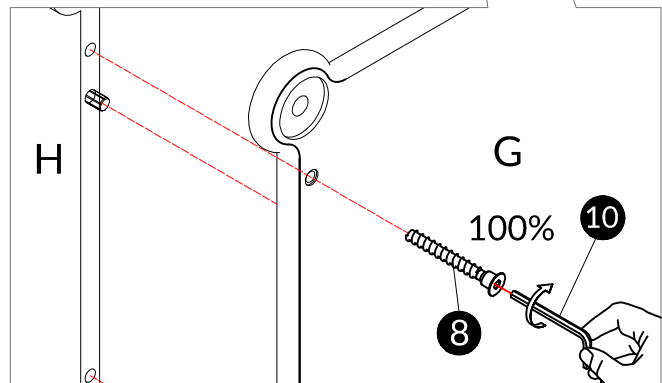
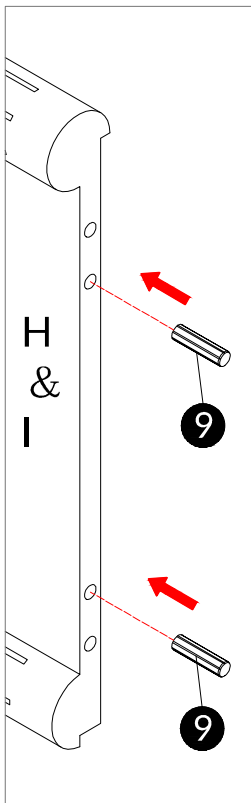
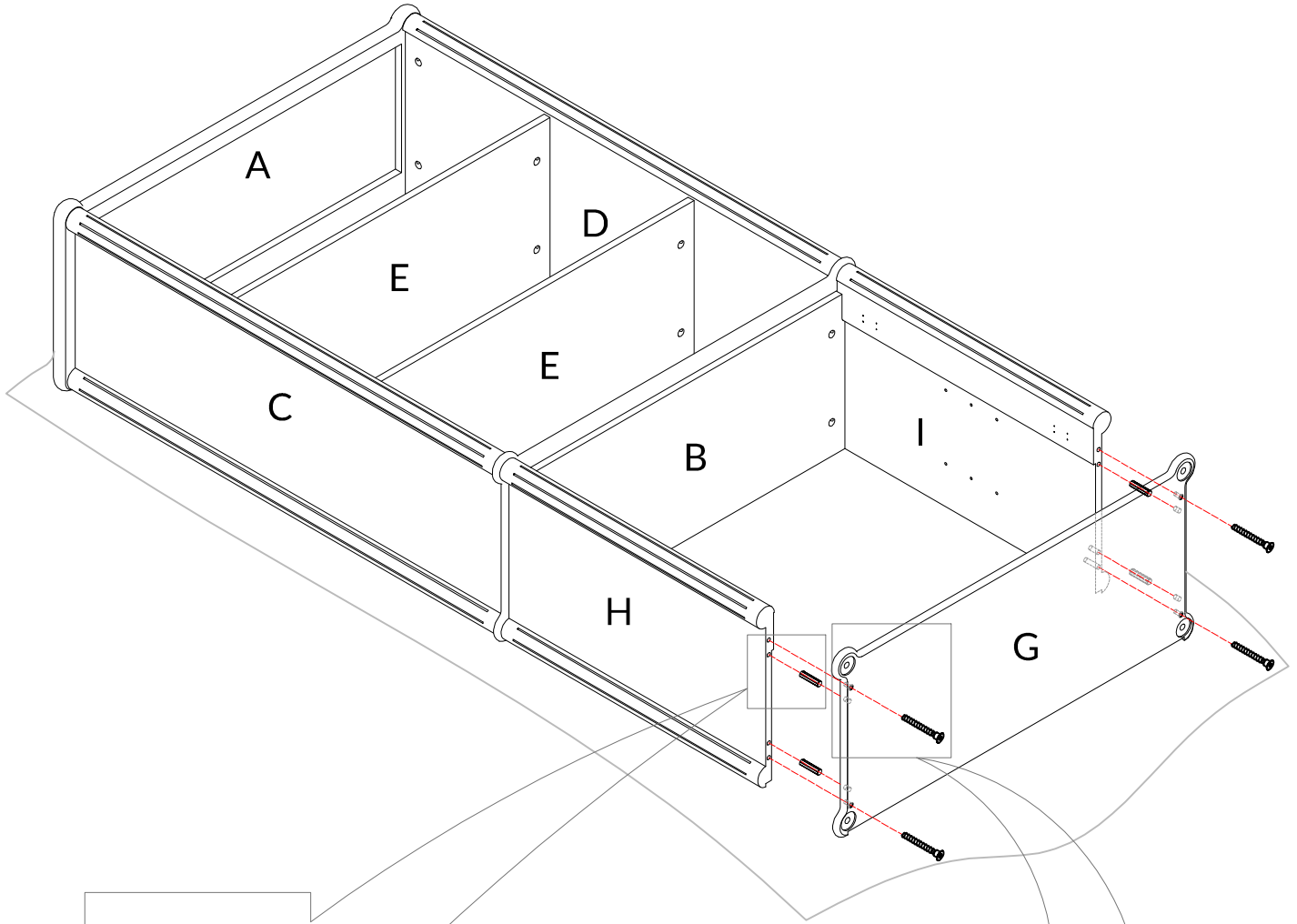
## Step 6


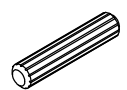
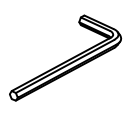
Insert the panels (B) into the side panels (H&I), make sure all holes aligned and insert cam bolt 6 into the corresponding hole of panel (B), tighten cam bolt 4 with screwdriver 11, Cover the two screw holes in the (B) side panel with lap tape 4.



## Step 7

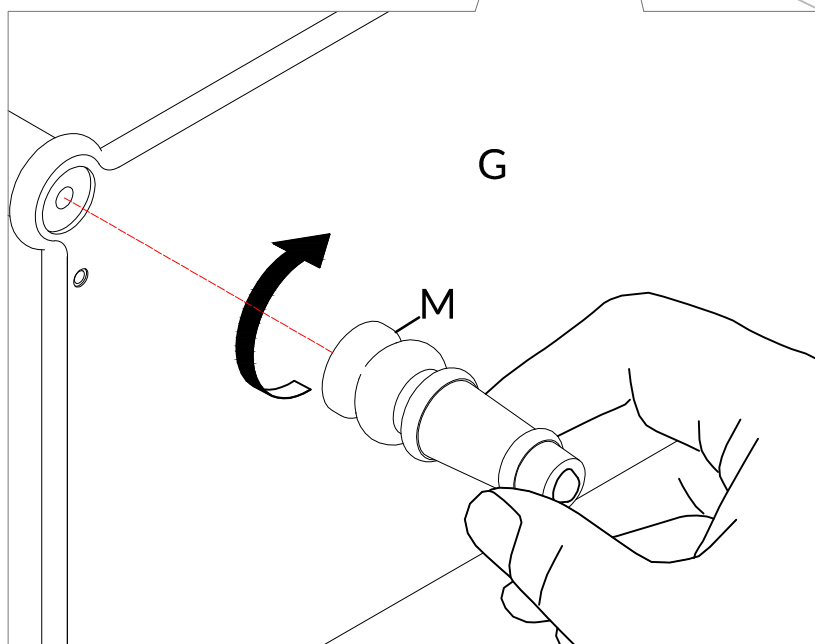
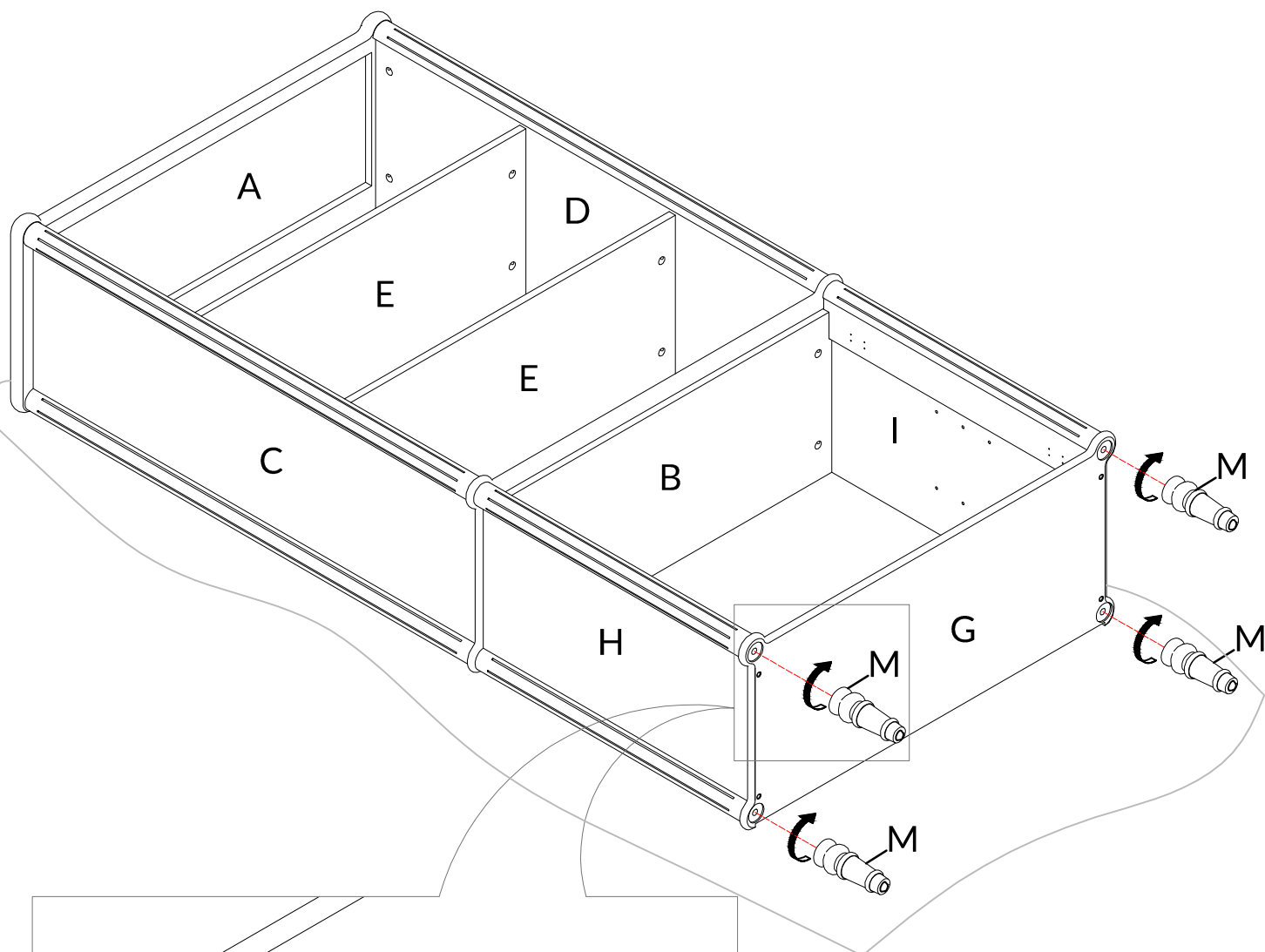
1. Insert wooden dowel 9 into the corresponding hole of panel(H&I)
2. Then align the holes in part(G), insert screw 8 and push it down so that it connects to parts (H&I). Next, and tighten the screw 8 with an Allen key 10 to 100% in Step 7.



⑧x4	⑨x4	⑩x1
		
M6*50mm	8*30mm	M4

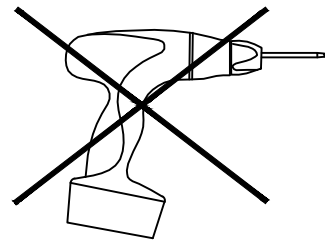
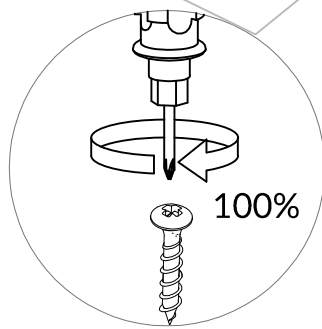
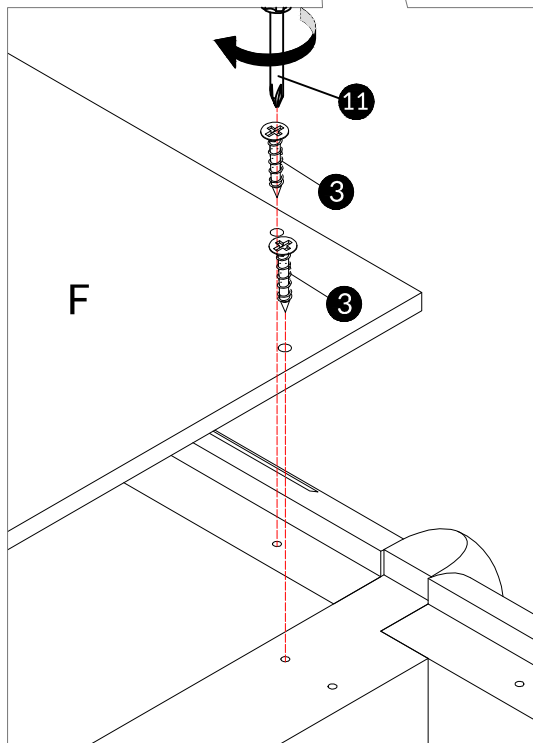
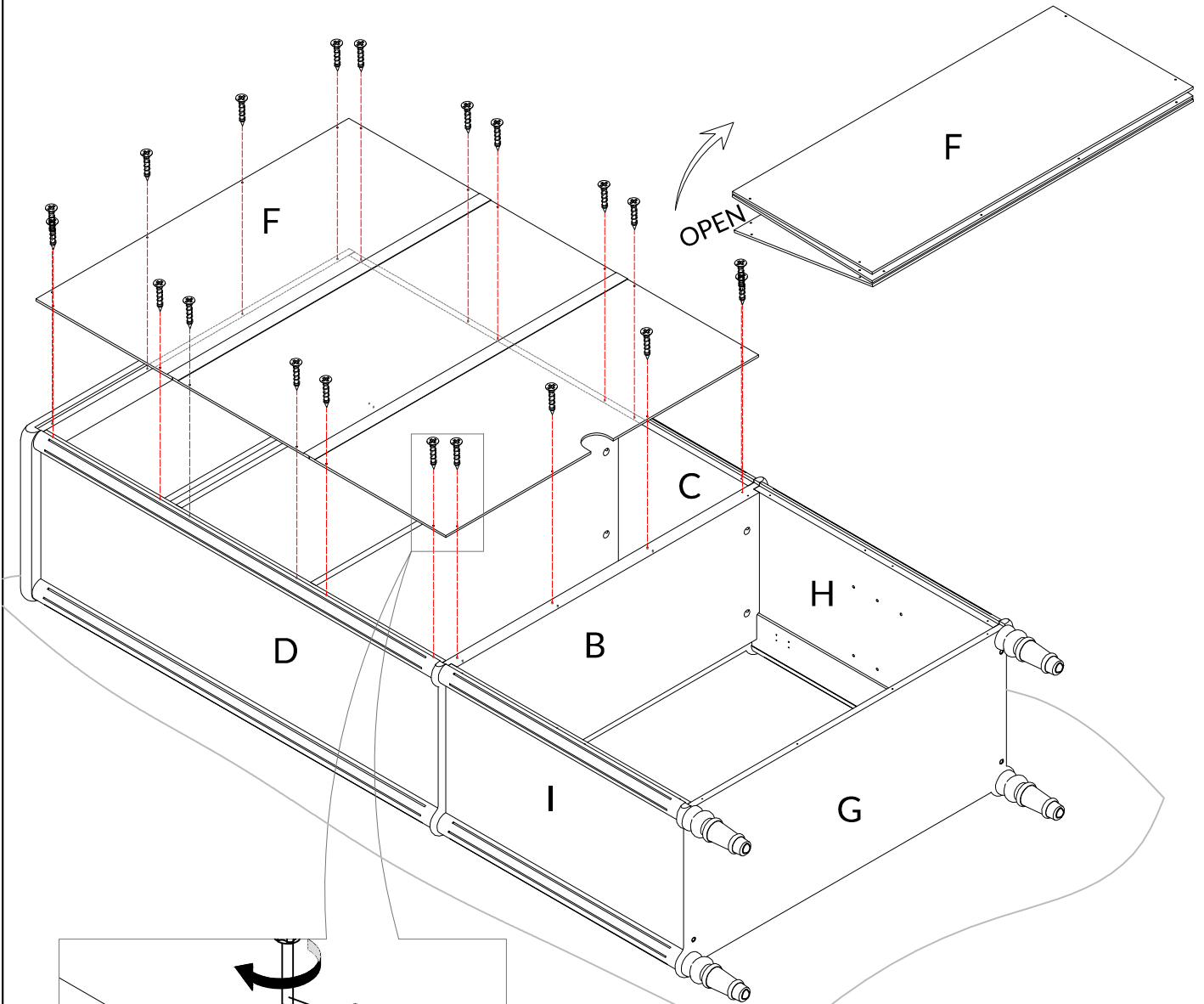
**Step 8**

Screw the four leg(M) onto the base plate(G)



# Step 9

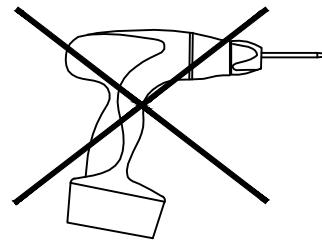
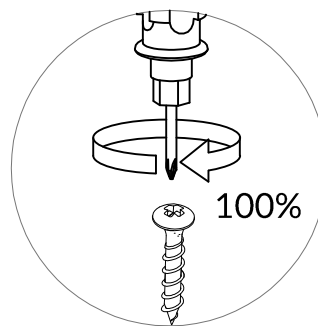
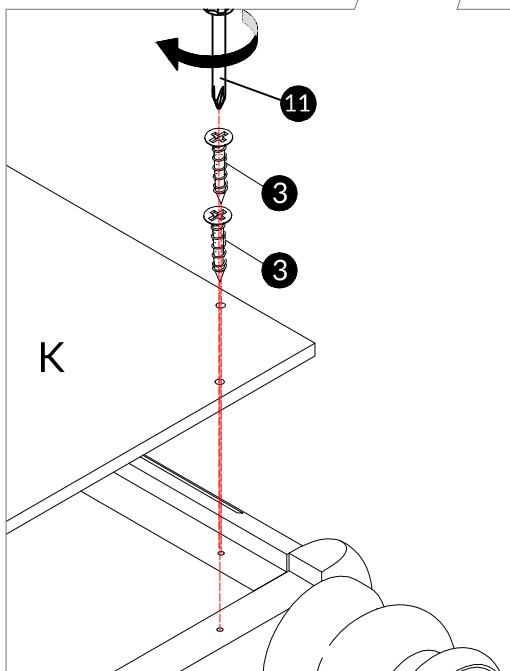
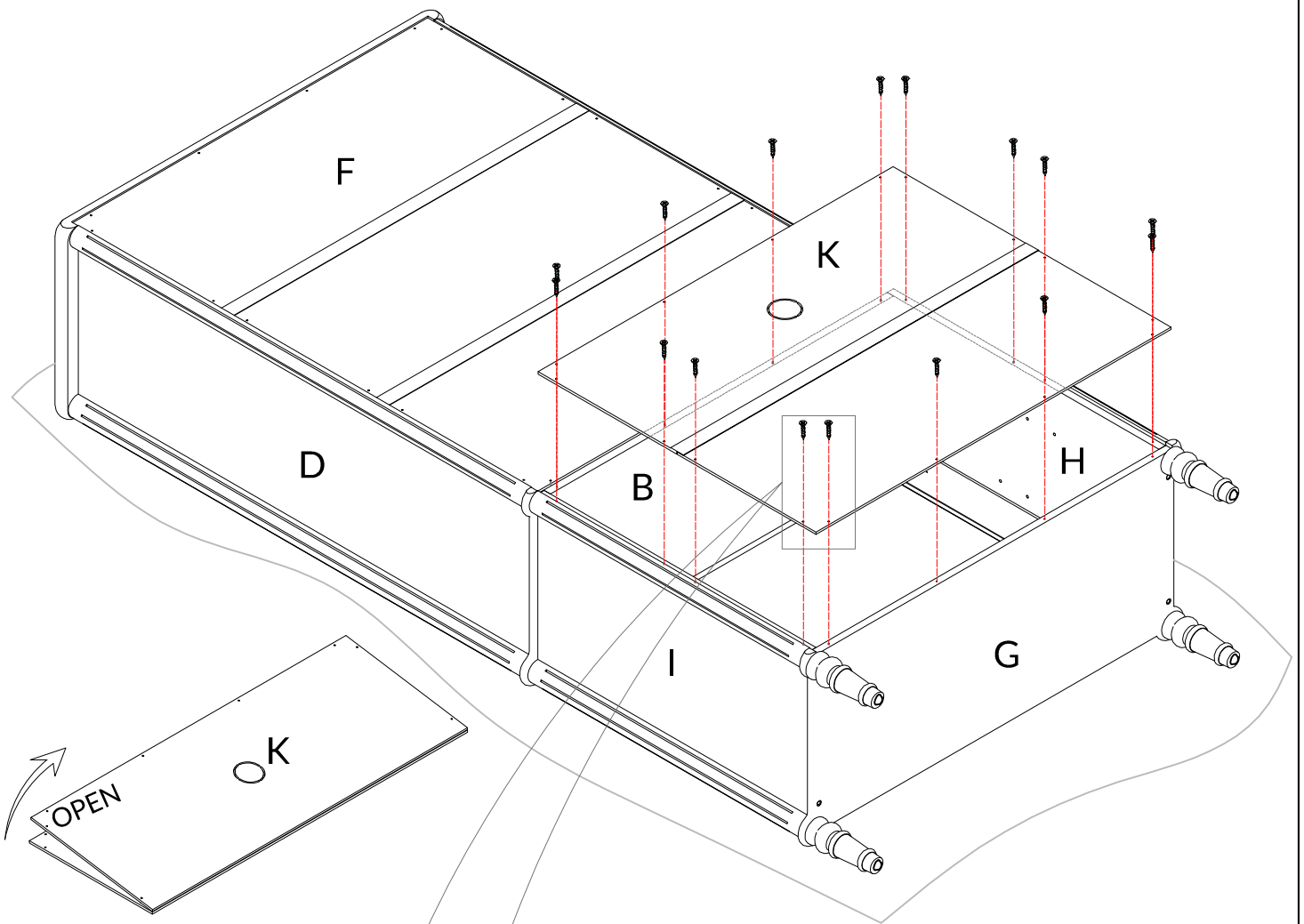
Tighten the screws 3 to 100% in Step 9.



③x20	⑪x1
Ø3x19mm	

# Step 10

Tighten the screws 3 to 100% in Step 10.

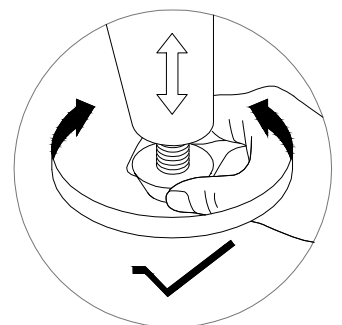
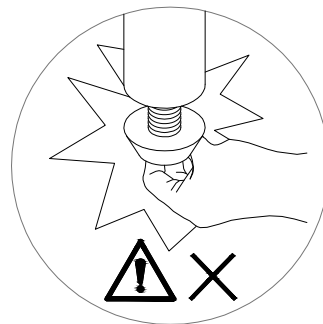
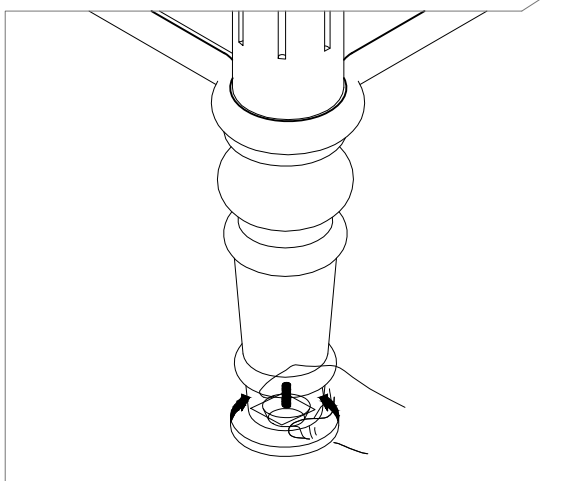
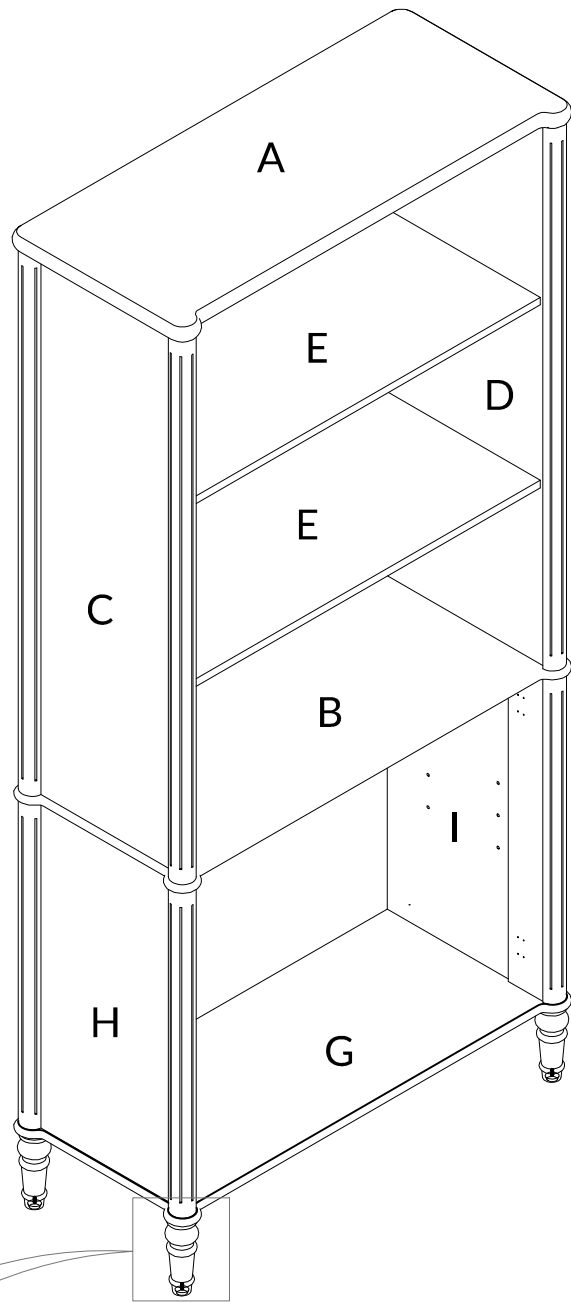


③x16	⑪x1
Ø3x19mm	

## Step 11

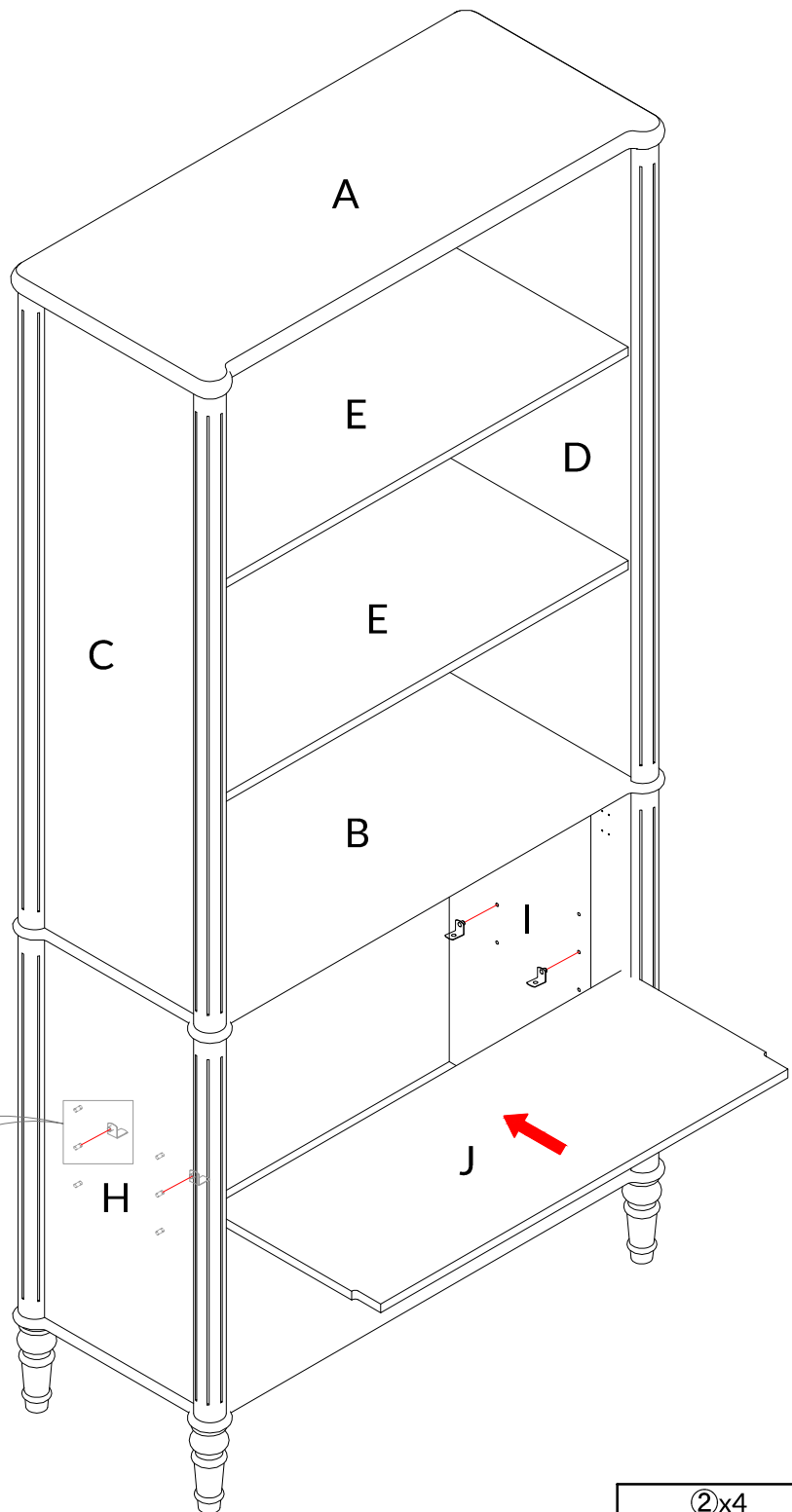


Attention:  
Before the next step, adjust the feet of  
the locker to keep it level.

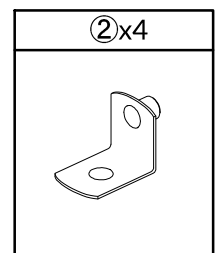
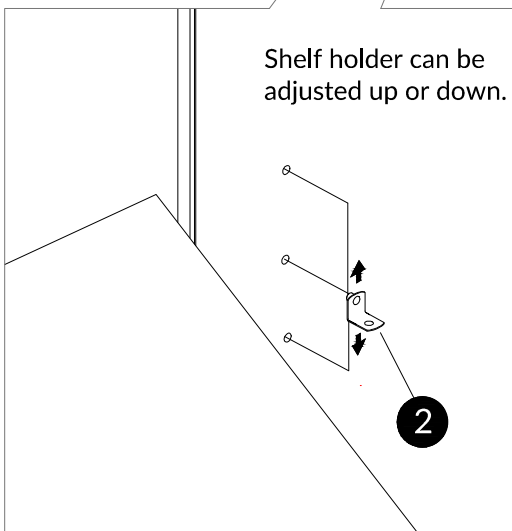


**Step 12**

Insert the shelf board J.

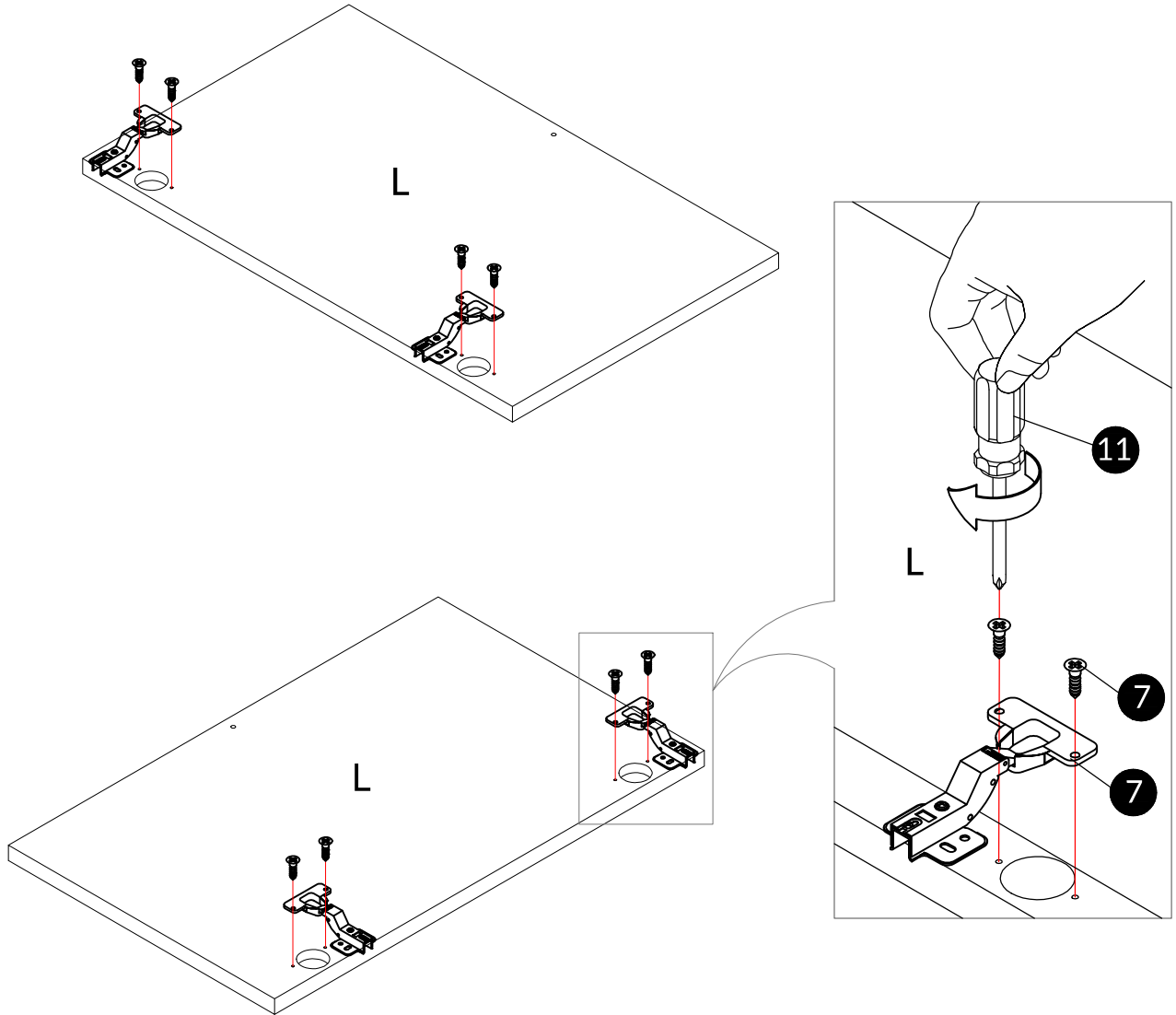


Shelf holder can be adjusted up or down.



**Step 13**

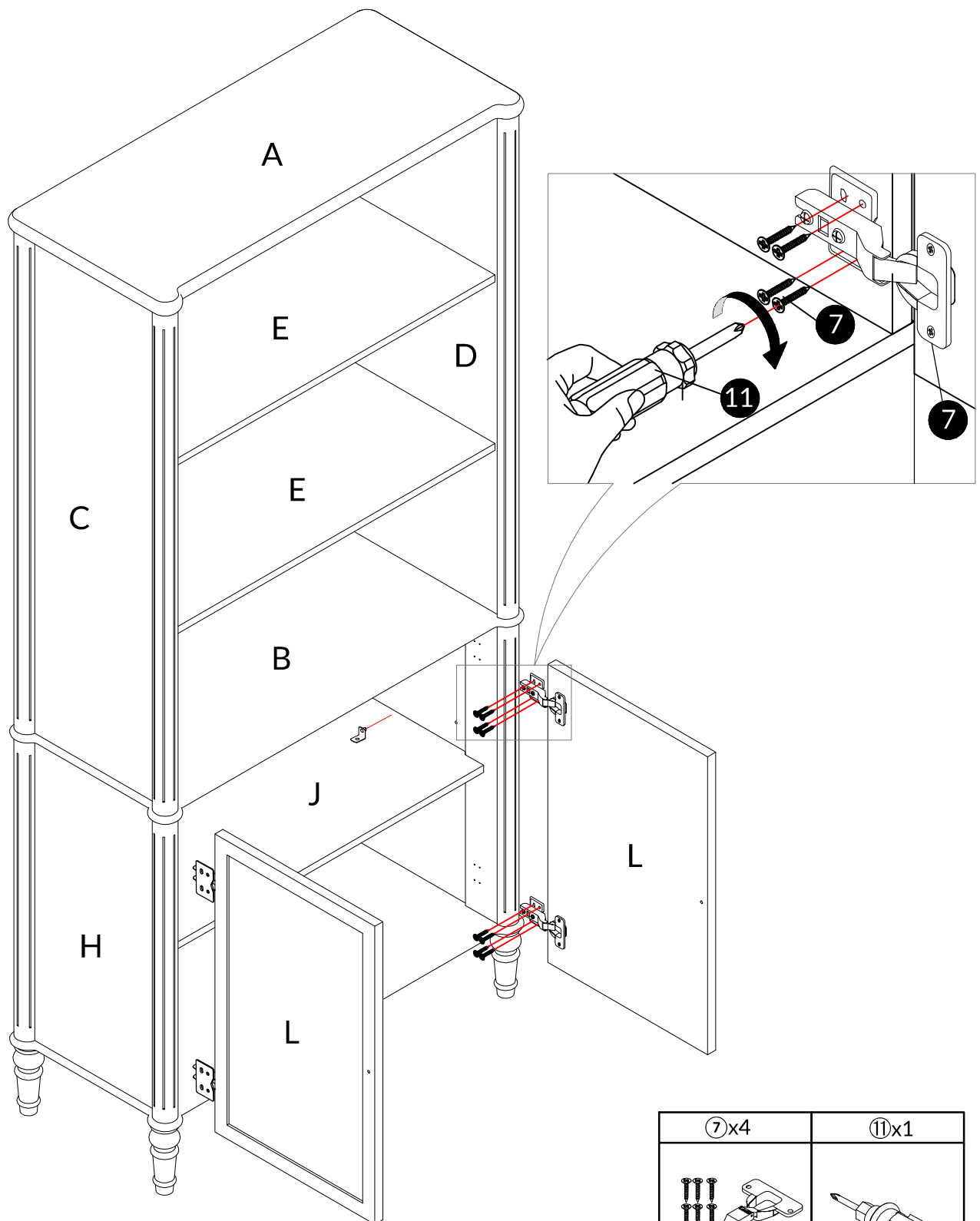
Use screw 7 to attach hinge 7 to door (L), tighten screw 7 with screwdriver 11.

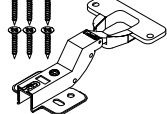
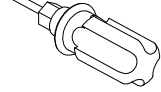


⑦x4	⑪x1

**Step 14**

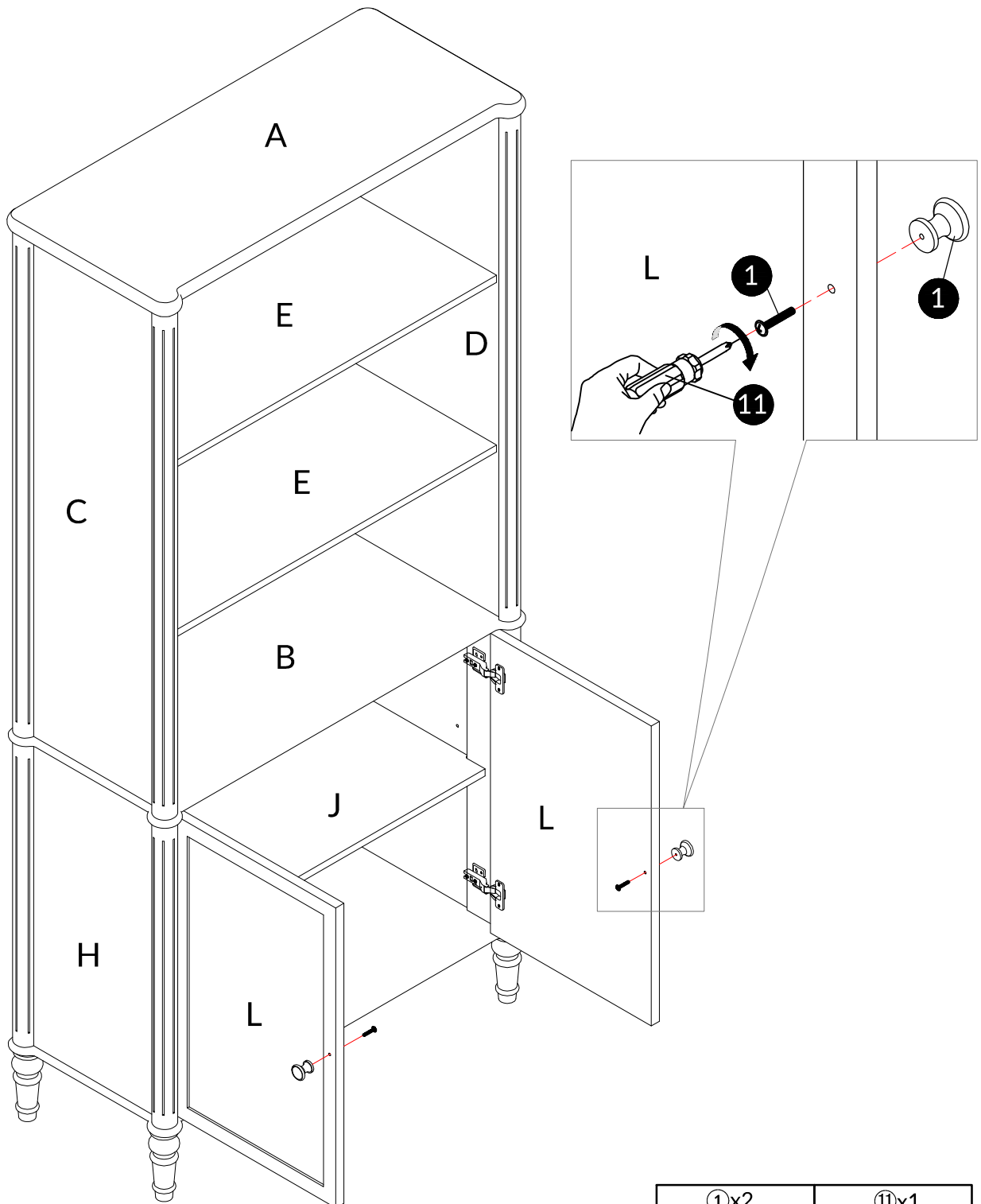
Use screw 7 to attach door (L) to pre-assemble unit at step 13 ,tighten screw 7 with screwdriver 11 .

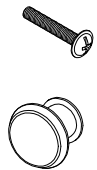
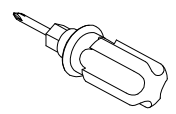


⑦x4	⑪x1
	

## Step 15

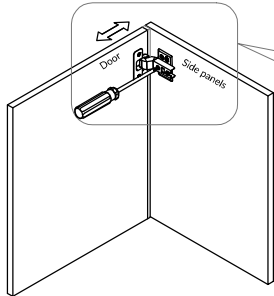
Use screw 1 to attach middle door (L) pre-assemble unit at step 15 ,tighten screw 1 with screwdriver 11 .



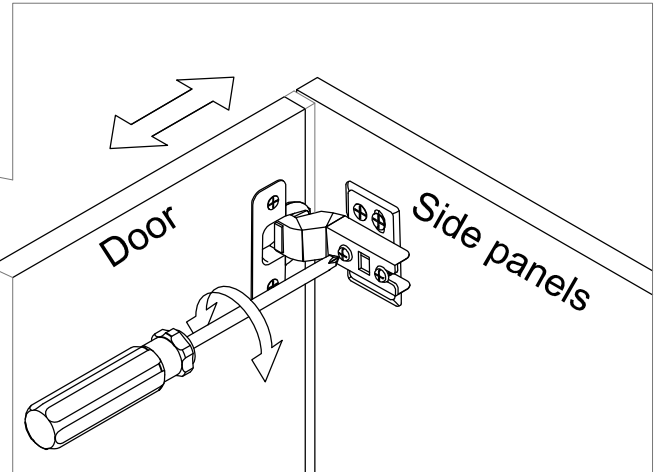
①x2	⑪x1
	

## Door Hinge Adjustment Instructions

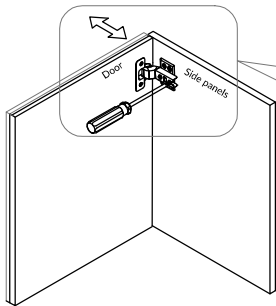
Concealed hinges are three-way adjustable.



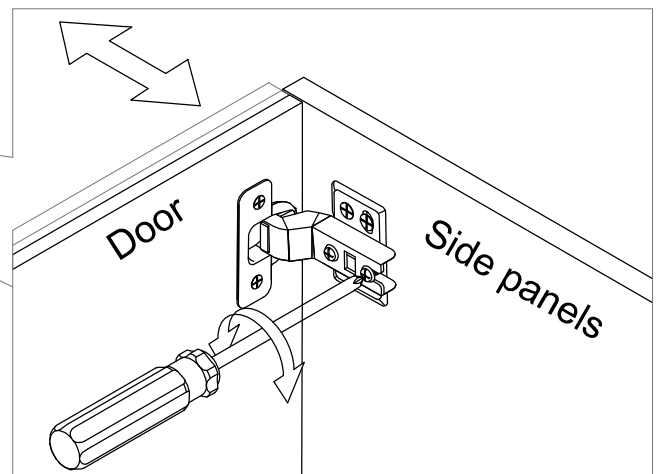
Horizontal by screw adjustment!



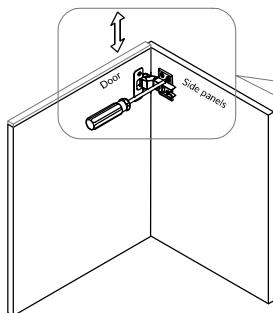
Concealed hinges are three-way adjustable.



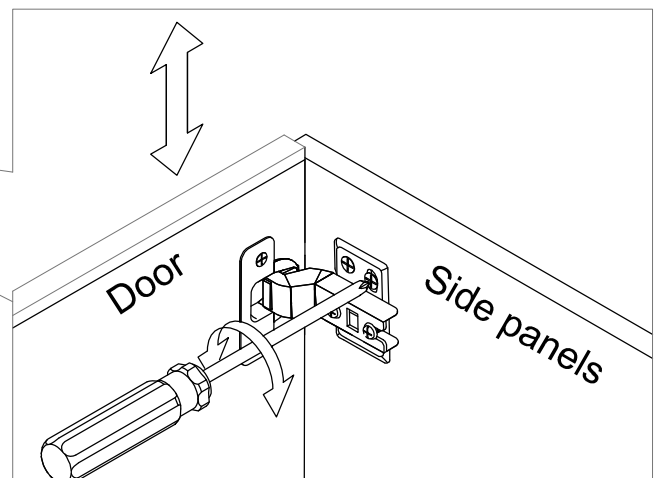
In-and-out by loosening the hinge arm mounting screw or via cam adjustment!



Concealed hinges are three-way adjustable.

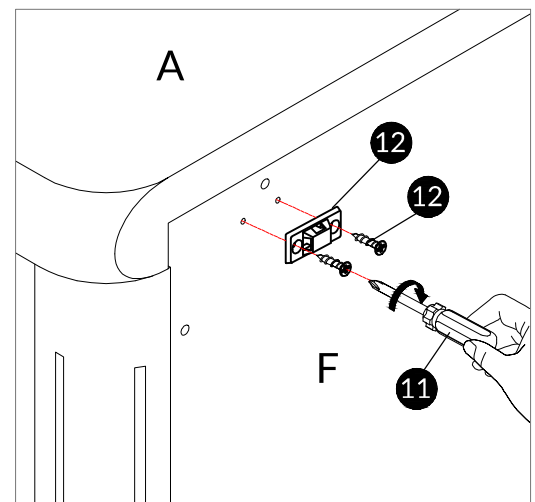
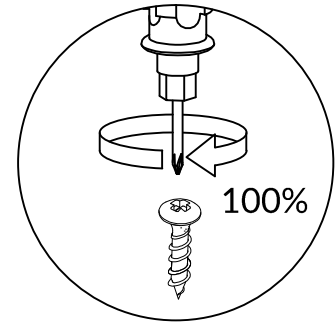
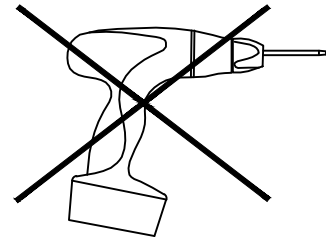
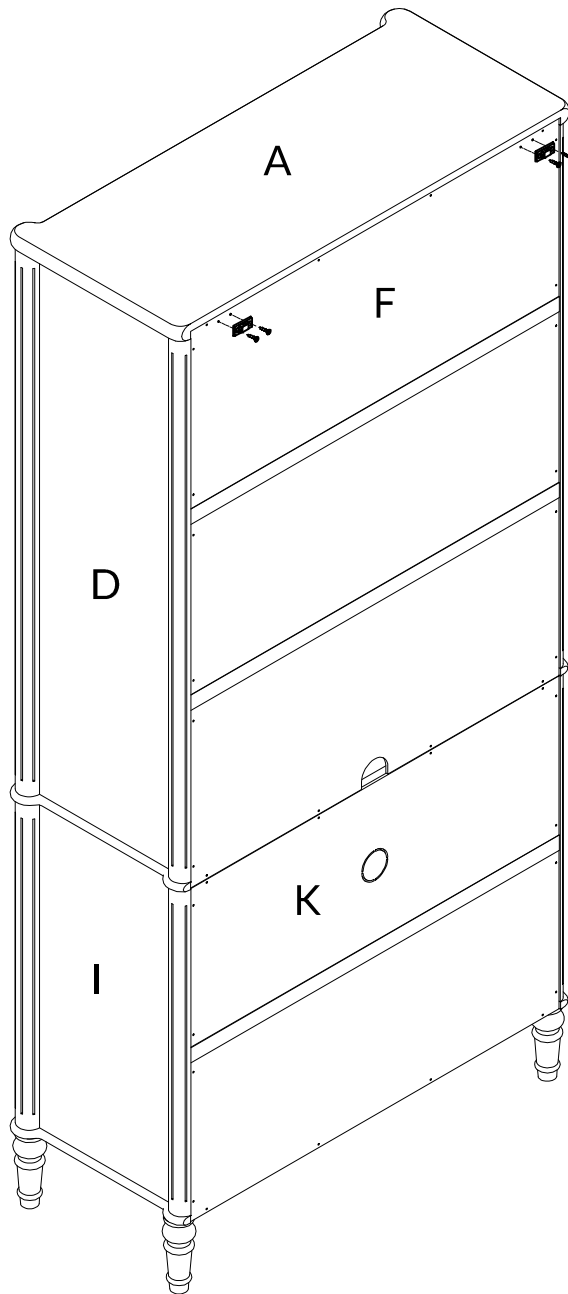


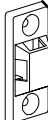
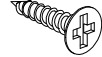
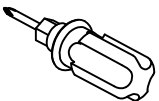
Vertical via slots in the mounting plate or via cam adjustment!



**Step 17**

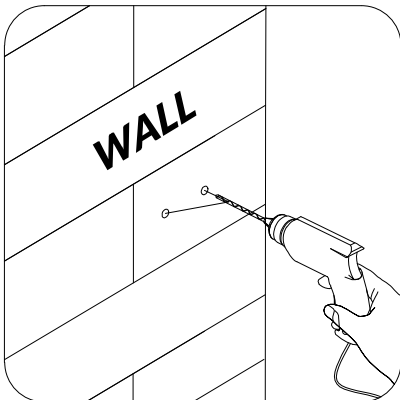
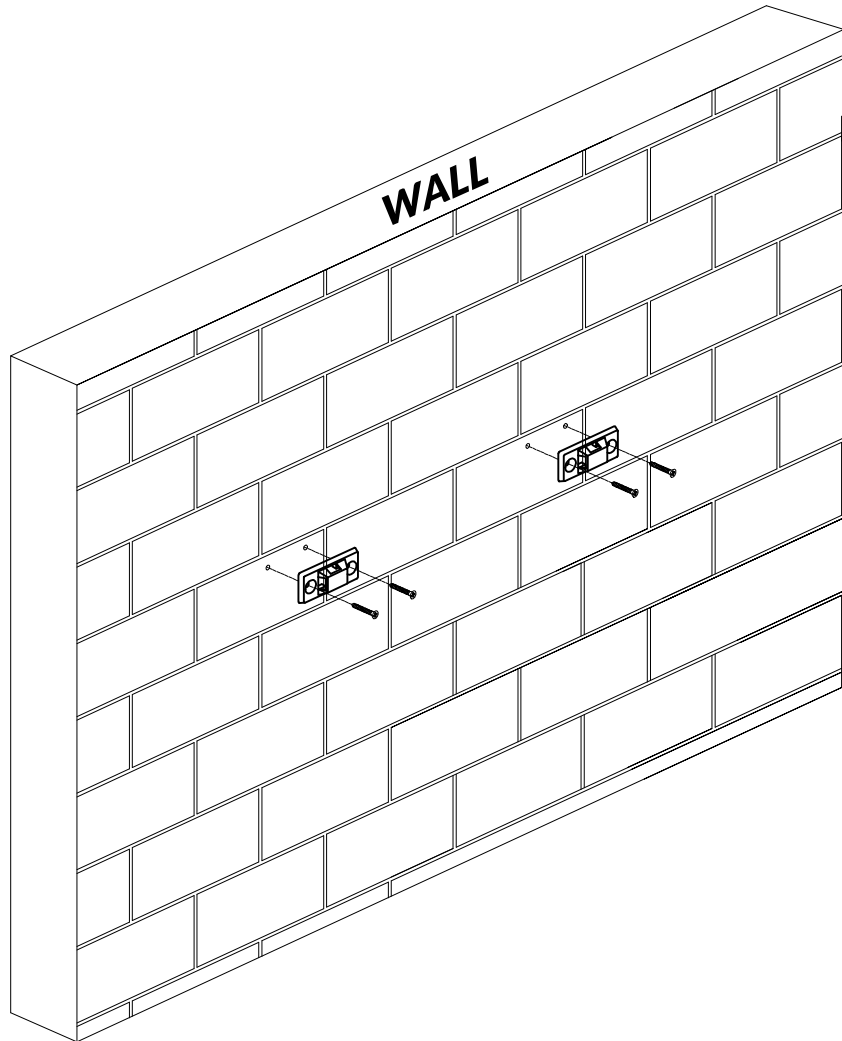
Use screw 12-2 to attach part 12-1 to back (A), tight screw with screwdriver 11.



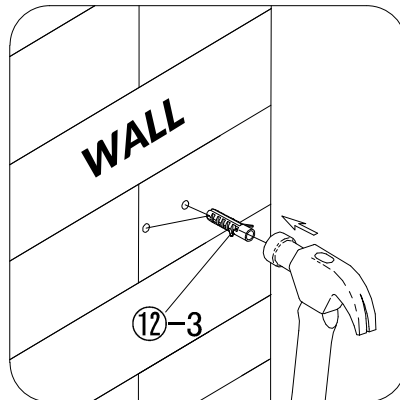
⑫-1x2	⑫-2x4	⑪x1
		
	Ø3x20mm	

## Step 18

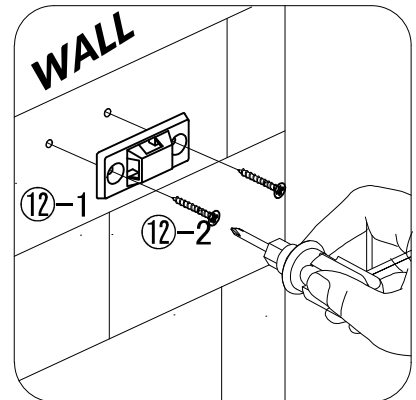
Install Anti-tip device ⑫-1 to the wall in this step.




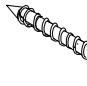
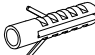
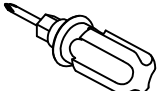
1. Drill a hole in the wall with an electric drill.



2. Tap the plastic wall anchor into the hole with a hammer.



3. Secure the Anti-tip device ⑫-1 to the wall with screws ⑫-2

⑫-1x2	⑫-2x4	⑫-3x4	⑪x1
			
	Ø4x39mm		

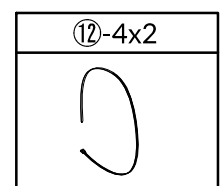
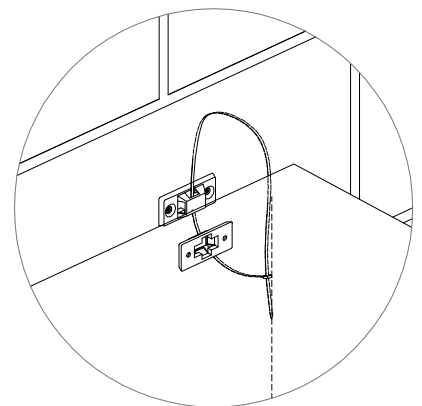
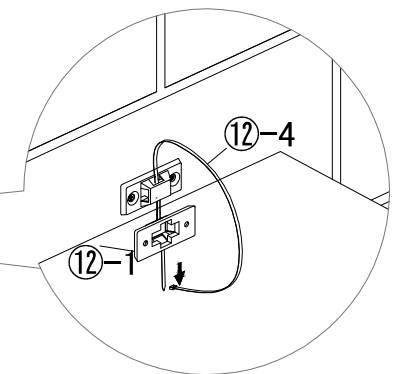
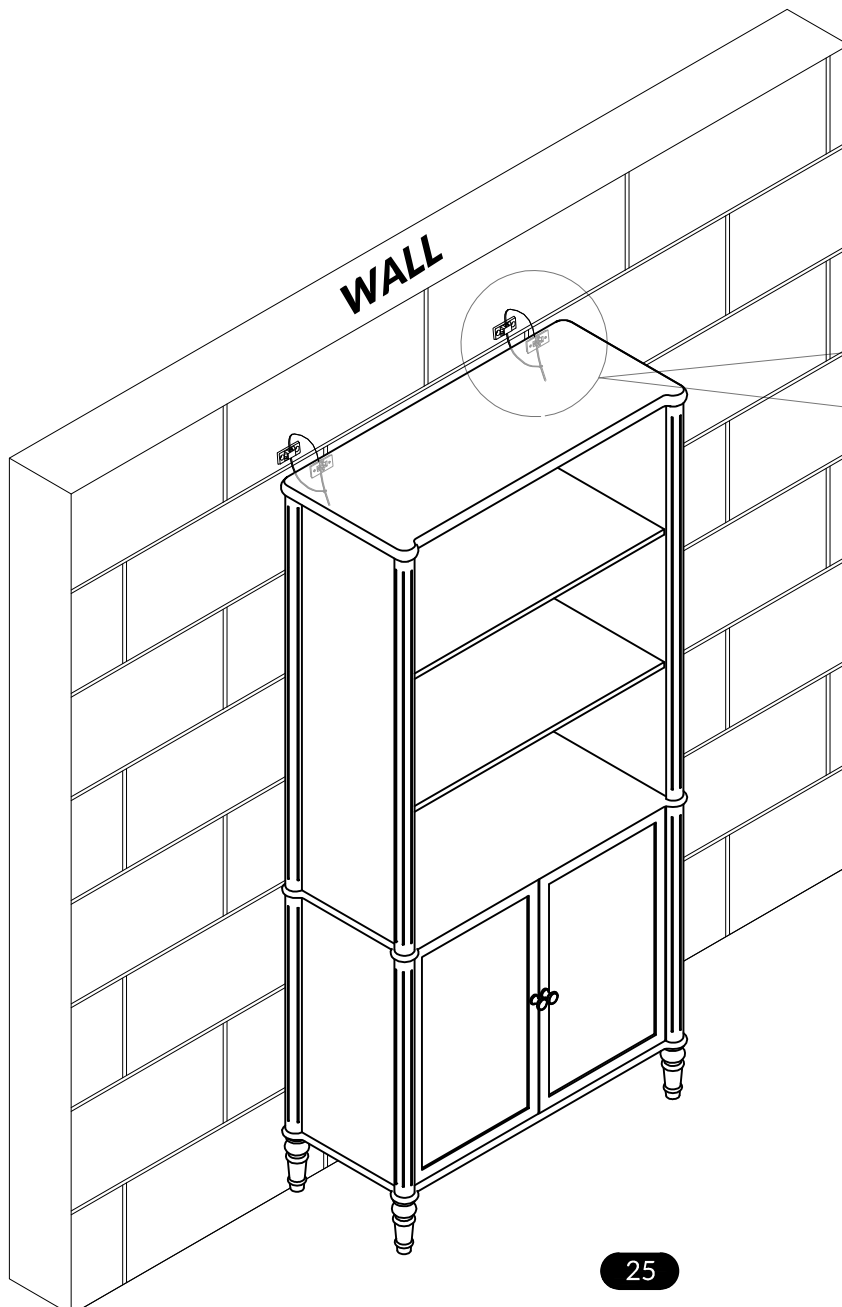
## Step 19

### WARNING

Children have died from furniture tipover.

To reduce the risk of furniture tipover:

- ALWAYS install Anti-tip device provided.
- For use with televisions weighing 35 lb or less. Use with heavier televisions may result in instability causing tip-over resulting in death or serious injury.
- NEVER allow children to stand, climb or hang on drawers, doors, or shelves.
- NEVER open more than one drawer at a time.
- Place heaviest items in the lowest drawers.



# WARRANTY

- We strive to offer quality products, and we also try our best to satisfy every customer who orders from us with products or services as needed.
- Replacement parts can be purchased from our company if available.
- For returns, please check the return policy with the retailer or marketplace where you purchased the item.

We appreciate your purchase.  
Brighten your life with our furniture!