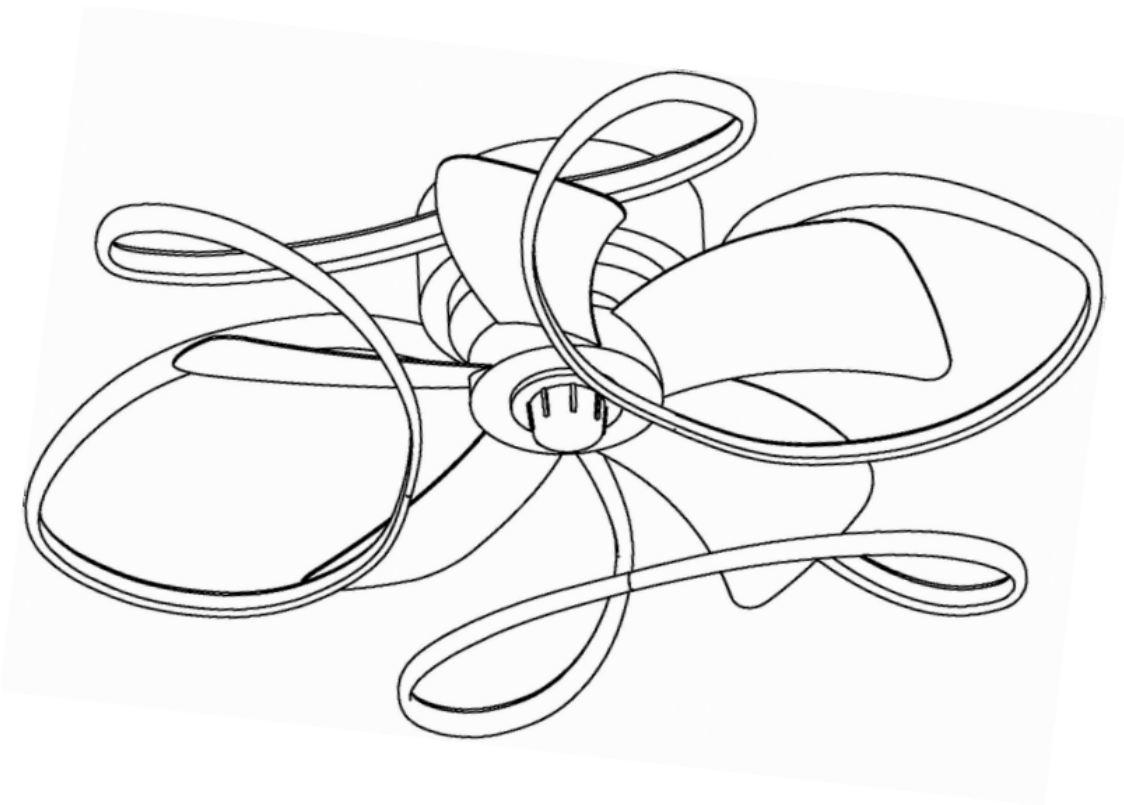
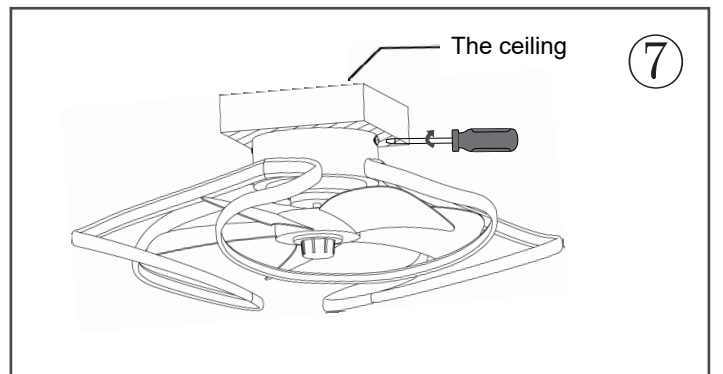
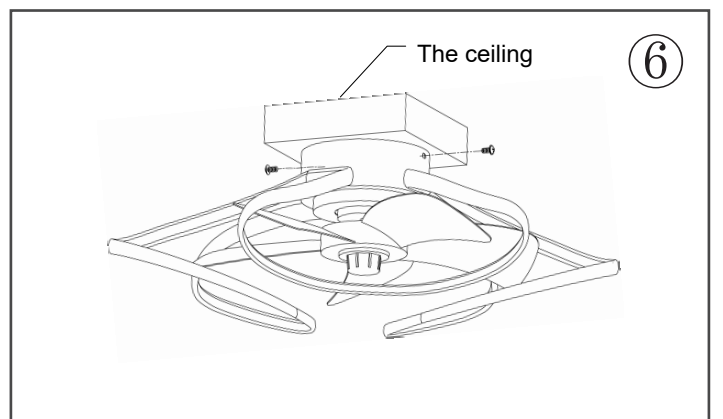
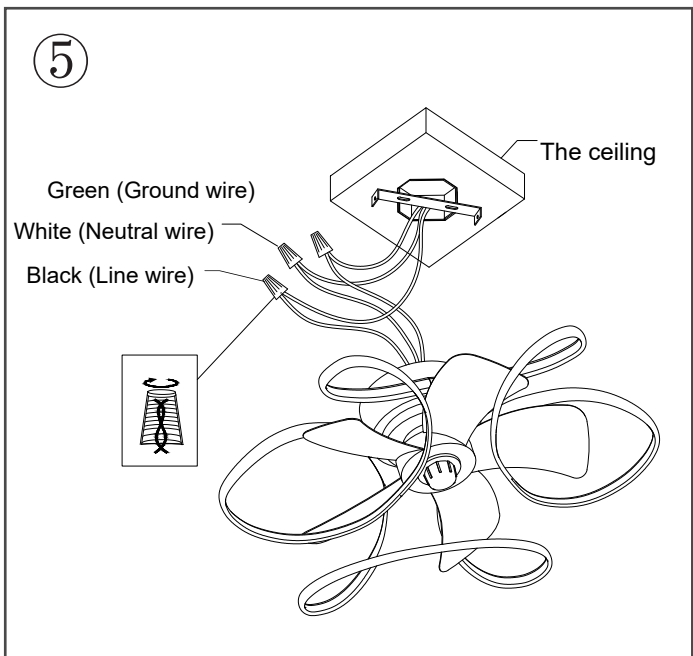
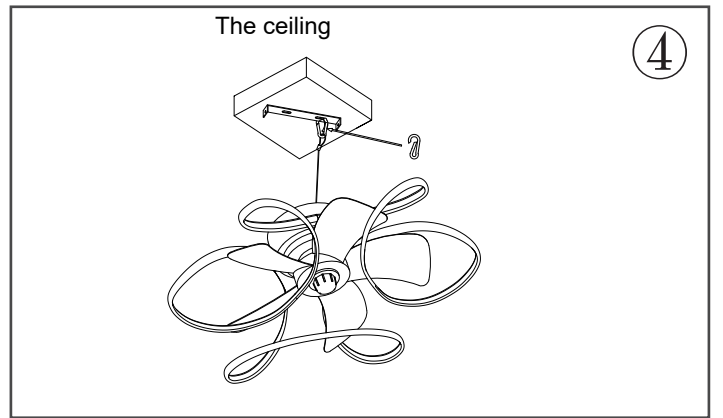
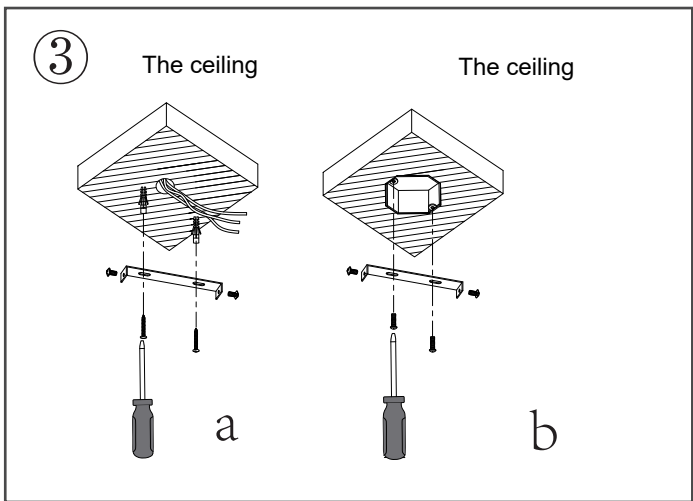
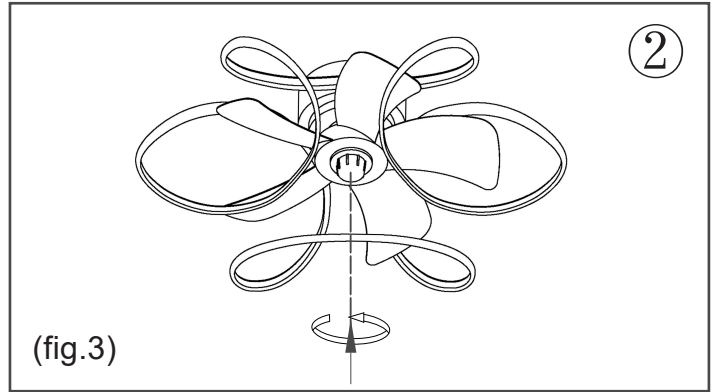
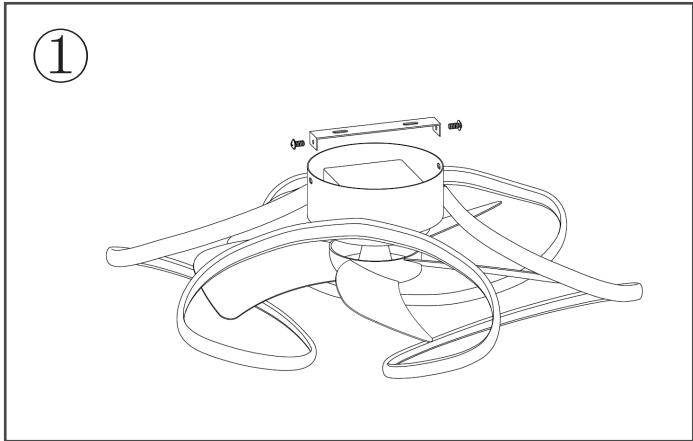
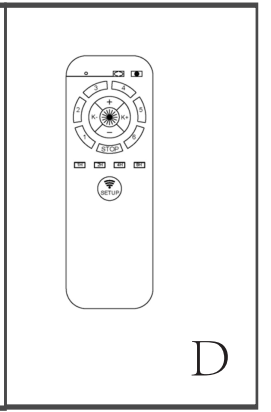
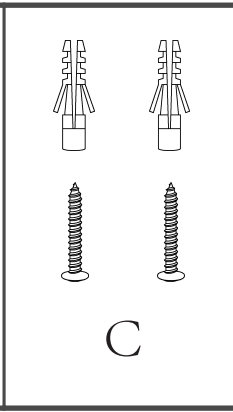
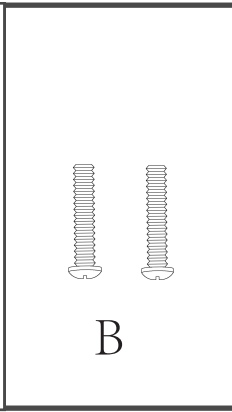
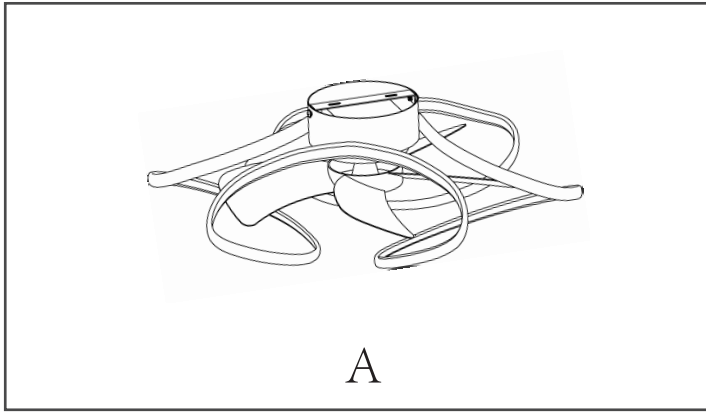


USER MANUAL



NOTE: THIS FAN MUST BE INSTALLED BY A LICENSED AND QUALIFIED ELECTRICIAN IN ACCORDANCE WITH LOCAL AUTHORITY REGULATIONS



Preparations:

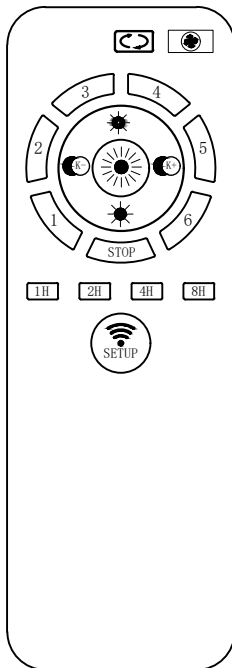
- 1.Prepare the required tools.
- 2.Turn off the switch.
- 3.Put all the parts in order.

Installation procedure:

- 1.Remove the bracket from the light fixture.
- 2.Tighten the component by turning it counterclockwise until secure.
- 3.For customers in the U.S. and Canada, refer to Figure B for bracket installation, ensuring it is firmly attached.
- 4.Hook the light fixture onto the bracket as shown in the image.
- 5.Wiring (see fig. 5):
 - a. Connect the black live wire to the black wire in the socket box.
 - b. Connect the white neutral wire to the white wire in the socket box.
 - c. Connect the ground wire (green) from the ceiling fan base to the bare ground wire in the socket box.
- 6.Align the holes in the lamp with those in the bracket and insert the screws.
- 7.Tighten the screws to ensure a secure installation.
- 8.Wipe the fan light with a clean cloth.
- 9.Turn on the switch.

Remote control description:

- 1.Install AAA batteries (batteries not included). If the remote control is not used for a long time, remove the battery to prevent damage to the battery.
- 2.The remote control function is shown below.



Link fan light (Normally, the remote control and fan light are already linked and can be used directly . If there is no link, follow the steps . 1.Turn off the main power supply to the fan light . 2.Turn on the main power of the fan light and press and hold this button within 5 seconds . 3.If you hear a beep, the remote is connected to the fan light . Try using a remote control to control the fan light .)



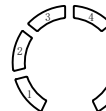
Turn on the light / Turn off the light



Turn up the lights/dim the lights



Turn down / turn up the color temperature of light



Different fan speeds
Setting 1 is the lowest speed, while Setting 6 is the highest speed.



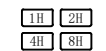
Turn off the fan



Wind switch to natural wind mode



Positive fan rotation / Fan reversal



Timer button, 1 hour / 2 hours / 4 hours / 8 hours



Turn off lights and fans together

Mobile APP control instructions:

- 1.Scan the QR code to install the app. Choose your preferred language within the app. The app includes operating instructions; please read them carefully to get started.

