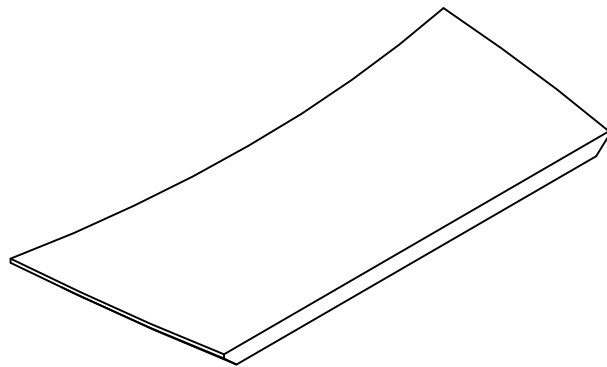


48" Bridge Top

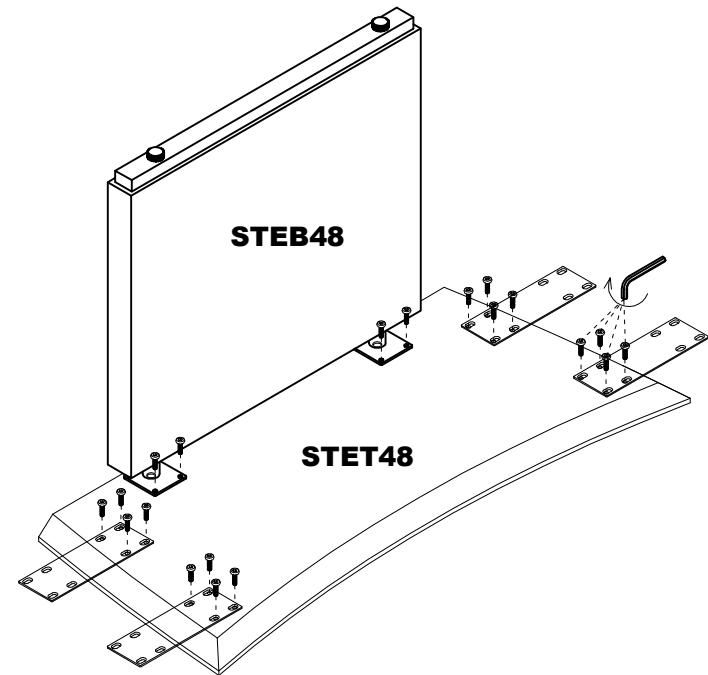


ASSEMBLY INSTRUCTIONS

IMPORTANT!

Review ALL instructions before beginning assembly. These instructions are provided to avoid problems that may occur from improper assembly or installation. Mayline and/or its distributor are not responsible for failure resulting from improper assembly or installation of this product. Moreover, all warranties are void for failure to follow these assembly instructions.

The top (STET48) match to the leg (STEB48)



Attach Mounting Plates to the underside of adjacent Main Desk using Screws and Wrench.

