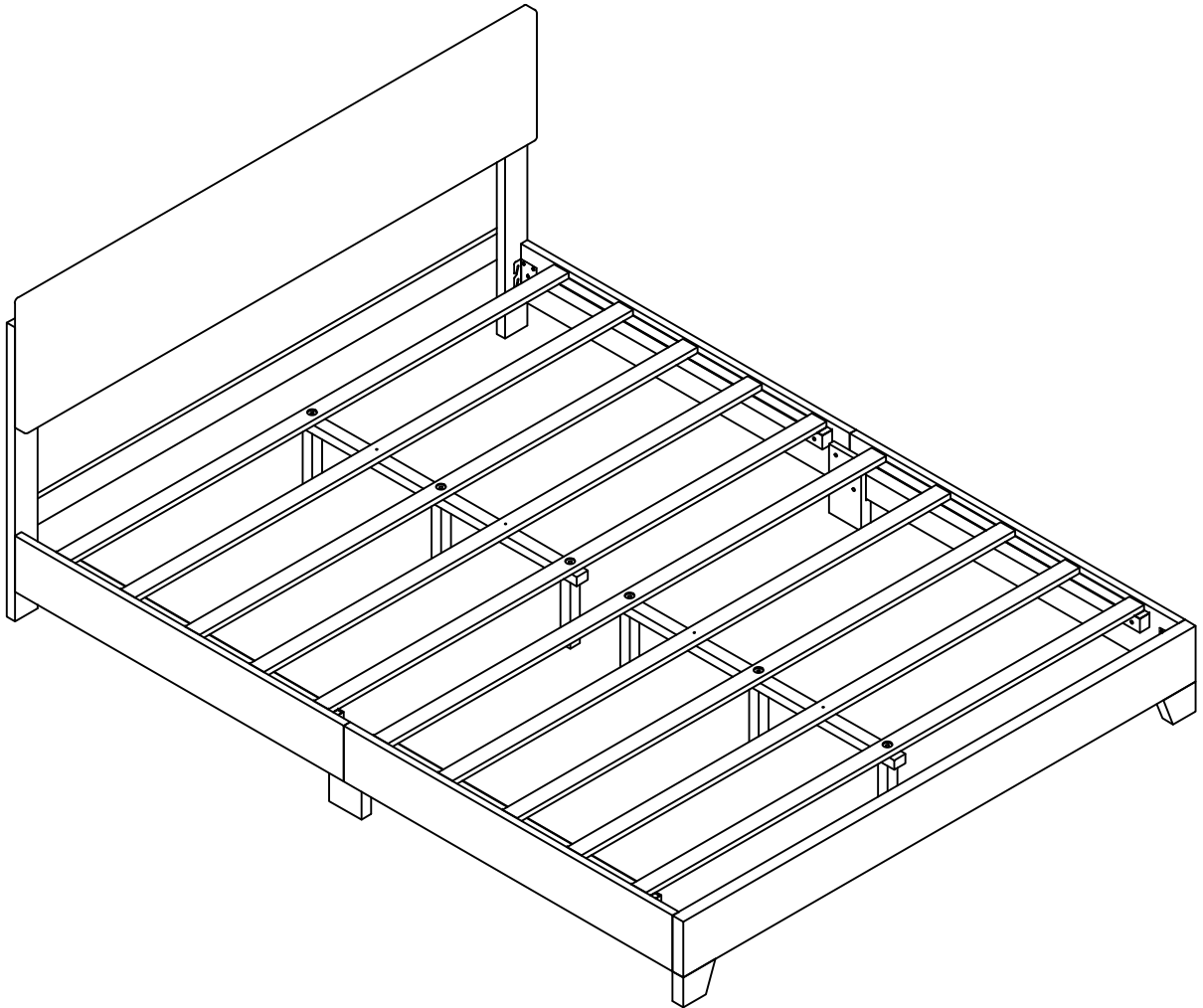


BED ASSEMBLY INSTRUCTIONS

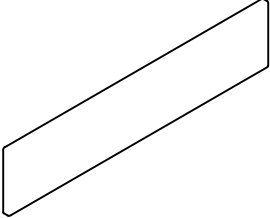
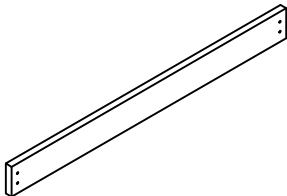
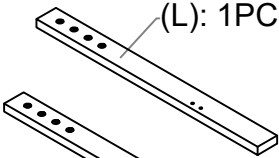
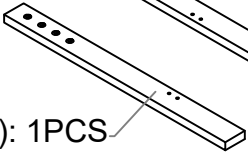
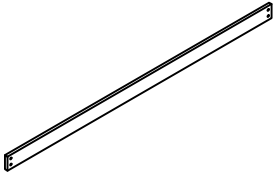
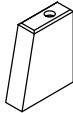
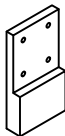
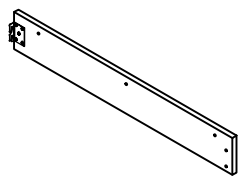
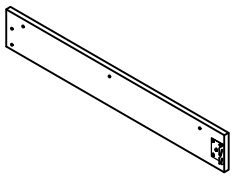
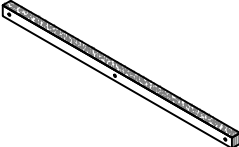
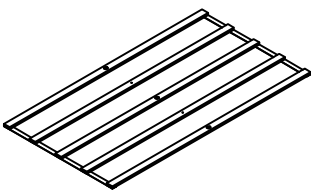
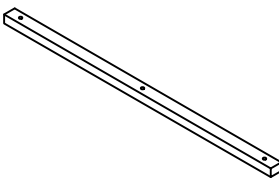



THANK YOU FOR PURCHASING BED

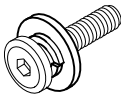
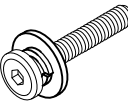
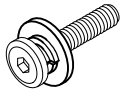
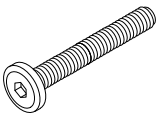
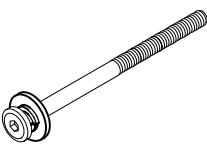


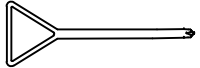
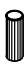
WARNING

- No rough tools or corrosive detergent for cleaning.
- The package contains some heavy parts and sharp-edged parts, please be careful when assembling to avoid any physical injury around you.
- Please strictly observe the steps of the instructions.
- Do not use a broken item and contact our customer service for guidance.

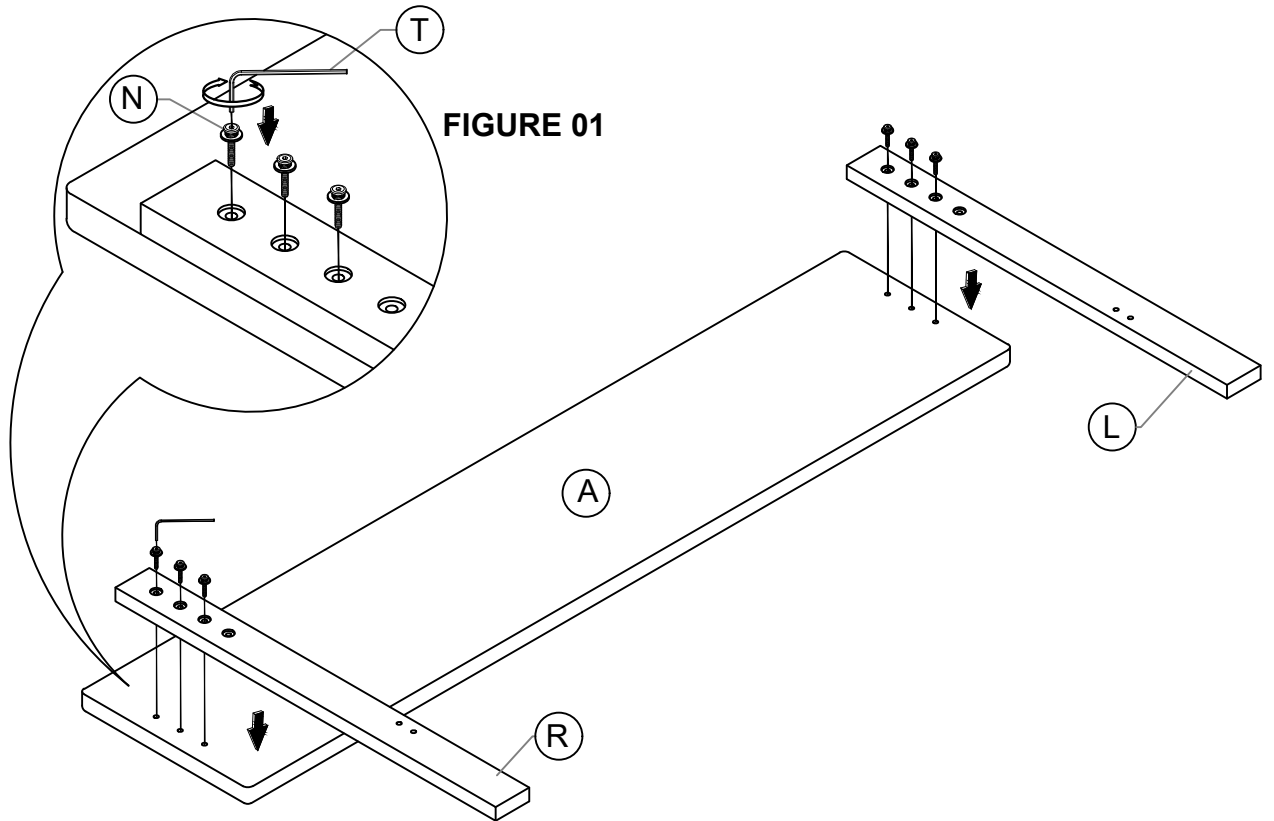
PART LIST

 <p>(A): 1PCS</p>	 <p>(B): 1PCS</p>	 <p>(L): 1PCS</p>  <p>(R): 1PCS</p>	 <p>(C): 1PCS</p>
 <p>(D): 2PCS</p>	 <p>(E): 2PCS</p>	 <p>(F): 2PCS</p>	 <p>(G): 2PCS</p>
 <p>(H): 4PCS</p>	 <p>(I): 2 SET</p>	 <p>(J): 2PCS</p>	 <p>(K): 6PCS</p>

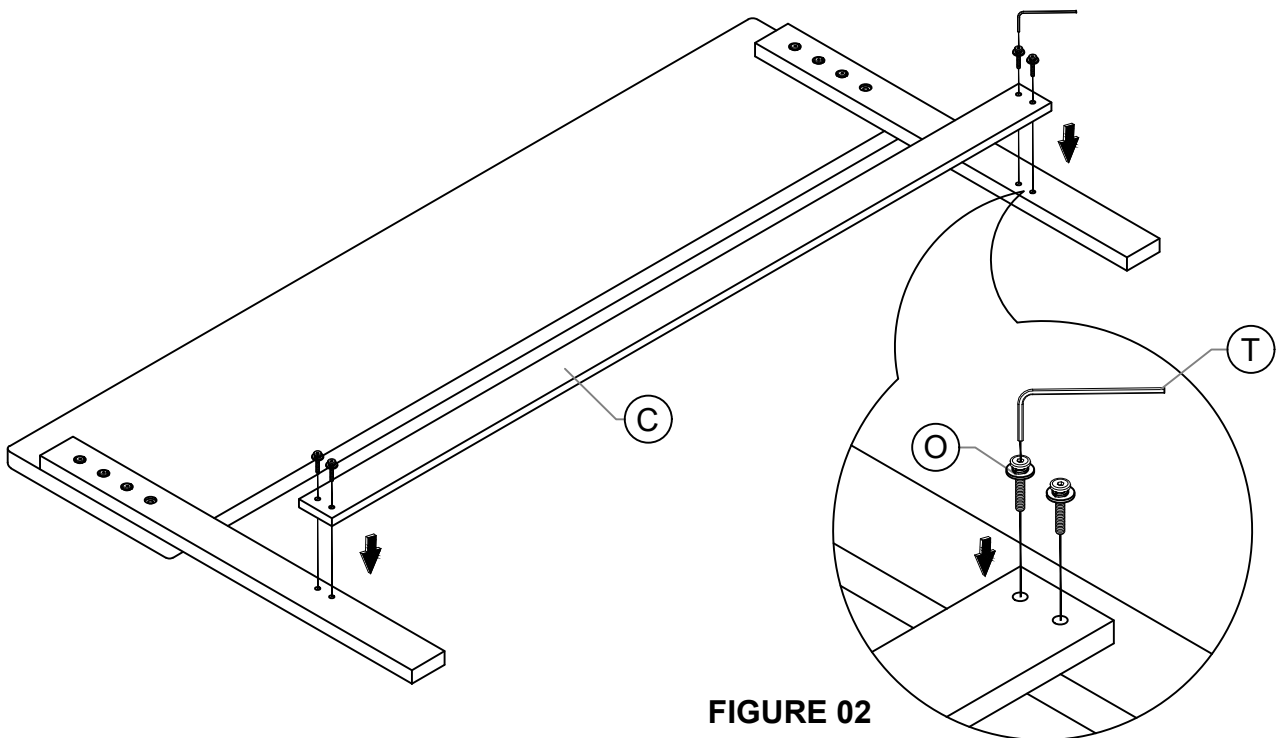
HARDWARE LIST

<p>5/16" x 25mm</p>  <p>(M): 8PCS</p>	<p>5/16" x 40mm</p>  <p>(N): 6PCS</p>	<p>1/4" x 35mm</p>  <p>(O): 12PCS</p>	<p>1/4" x 40mm</p>  <p>(P): 12PCS</p>
<p>1/4" x 110mm</p>  <p>(Q): 2PCS</p>	<p>4 x 35mm</p>  <p>(S): 4PCS</p>	<p>L5</p>  <p>(T): 1PCS</p>	 <p>(U): 1PCS</p>
 <p>(V): 2PCS</p>			

Step1: Install the leg (L/R) to the Headboard panel (A) by using the Allen bolt (N) with lock washer, flat washer and Allen key (T). See **FIGURE 01**.



Step2: Install the bottom rail (C) to the leg (L/R) by using the Allen bolt (O) with lock washer, flat washer and Allen key (T). See **FIGURE 02**.



Step3: Install the leg (D) wood dowel (V) to the Footboard panel (B) by using the Allen bolt (Q) with lock washer, flat washer and Allen key (T). See **FIGURE 03**.

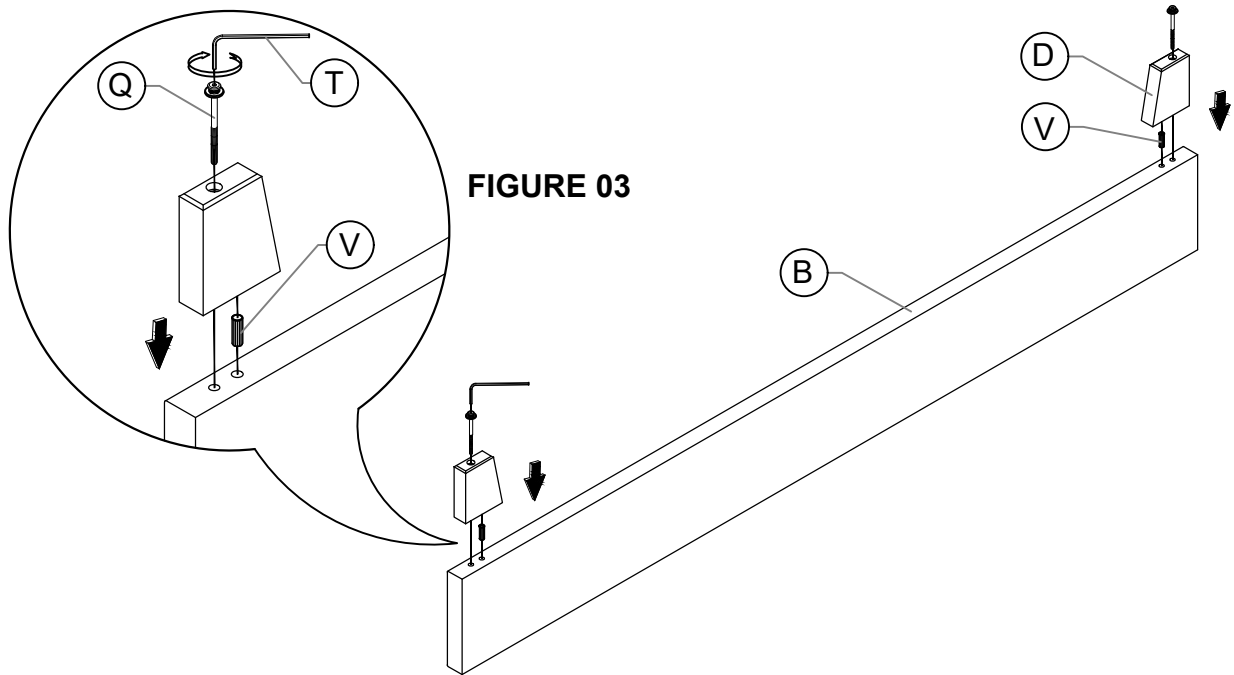


FIGURE 03

Step4: Insert set of the bolts (M) with lock washer, flat washer into the fixed nuts on the headboard/footboard by manually. **NOTE:** Do not fully tighten the bolts, leave at least 10mm visible so that you can hanger hook on the bolts. See **FIGURE 04**.

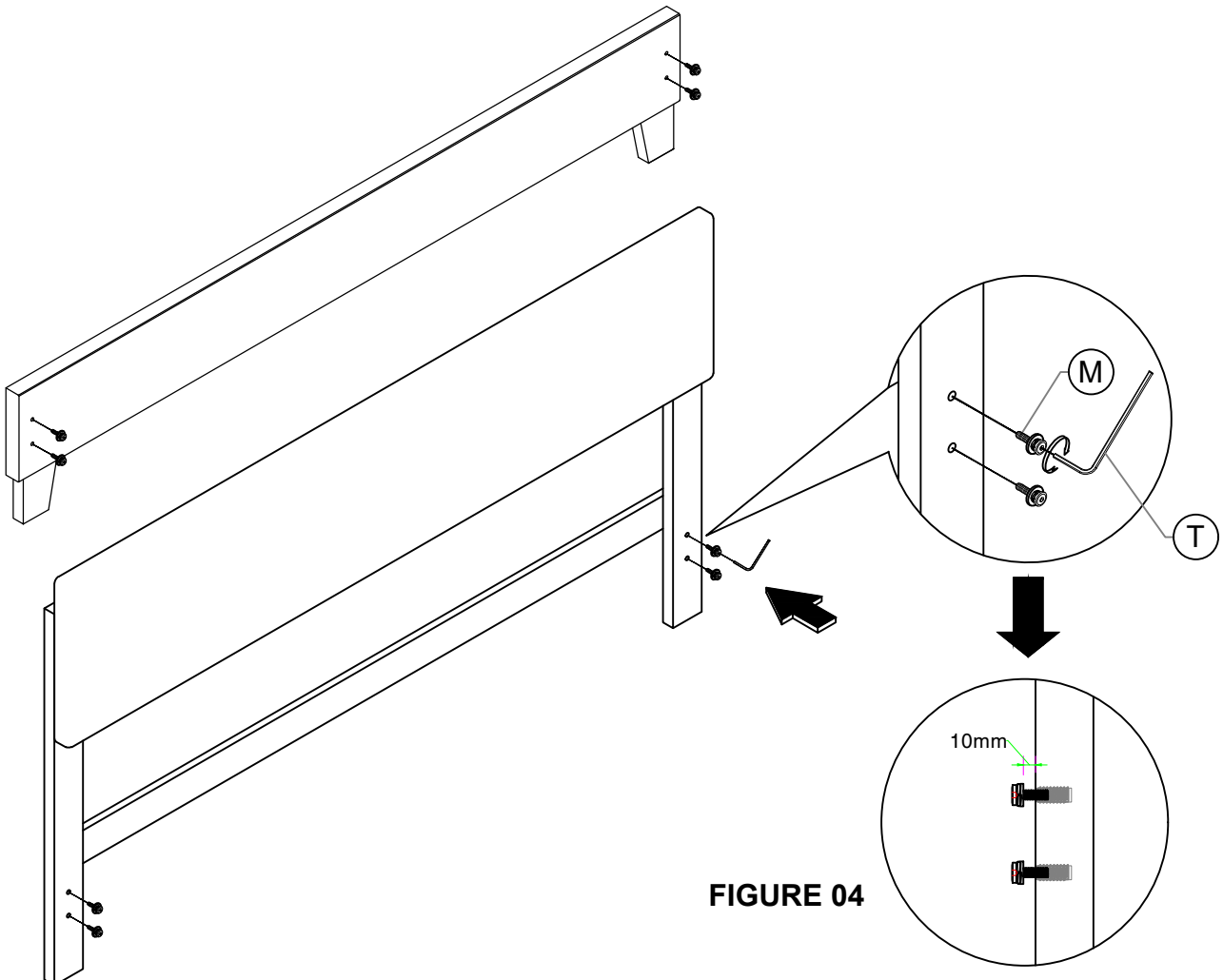
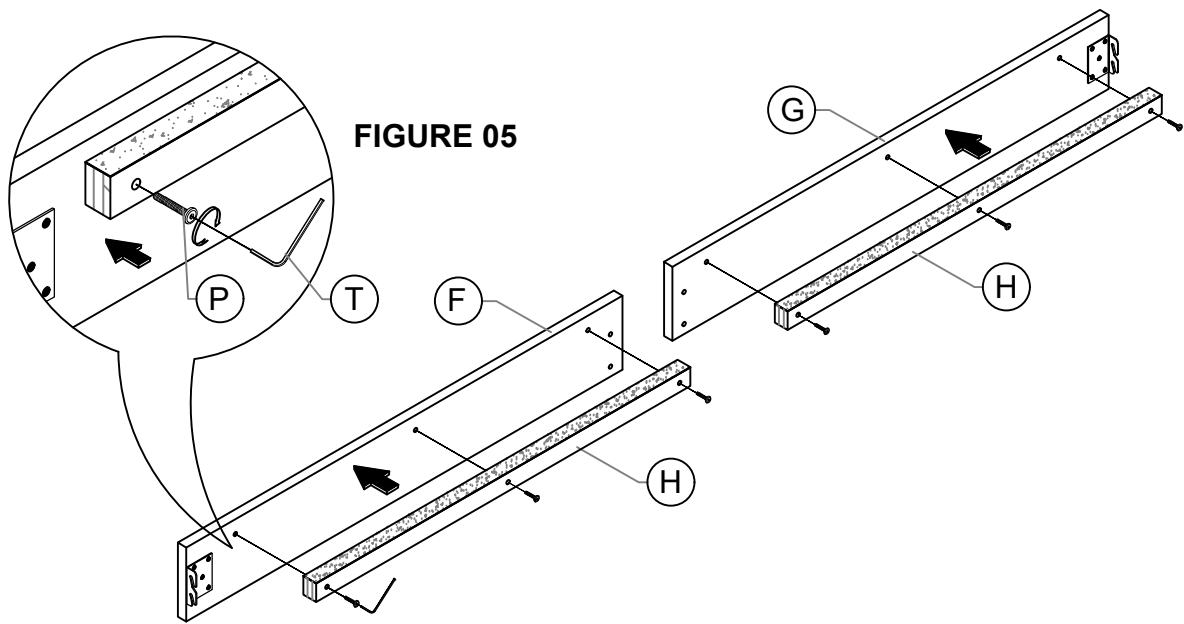
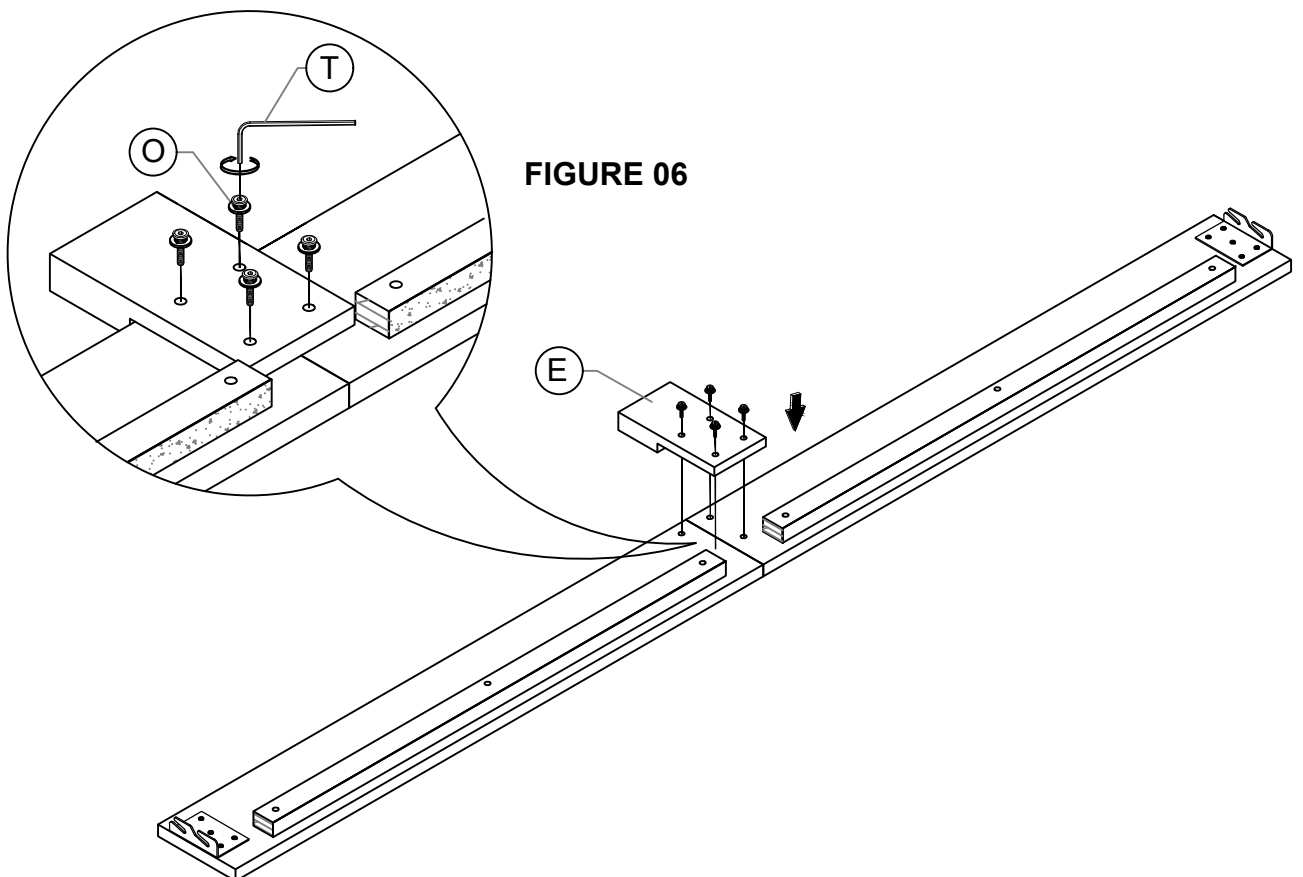


FIGURE 04

Step5: Install the rail support (H) to the side rail (F/G) by using the Allen bolt (P) and Allen key (T). See **FIGURE 05**.

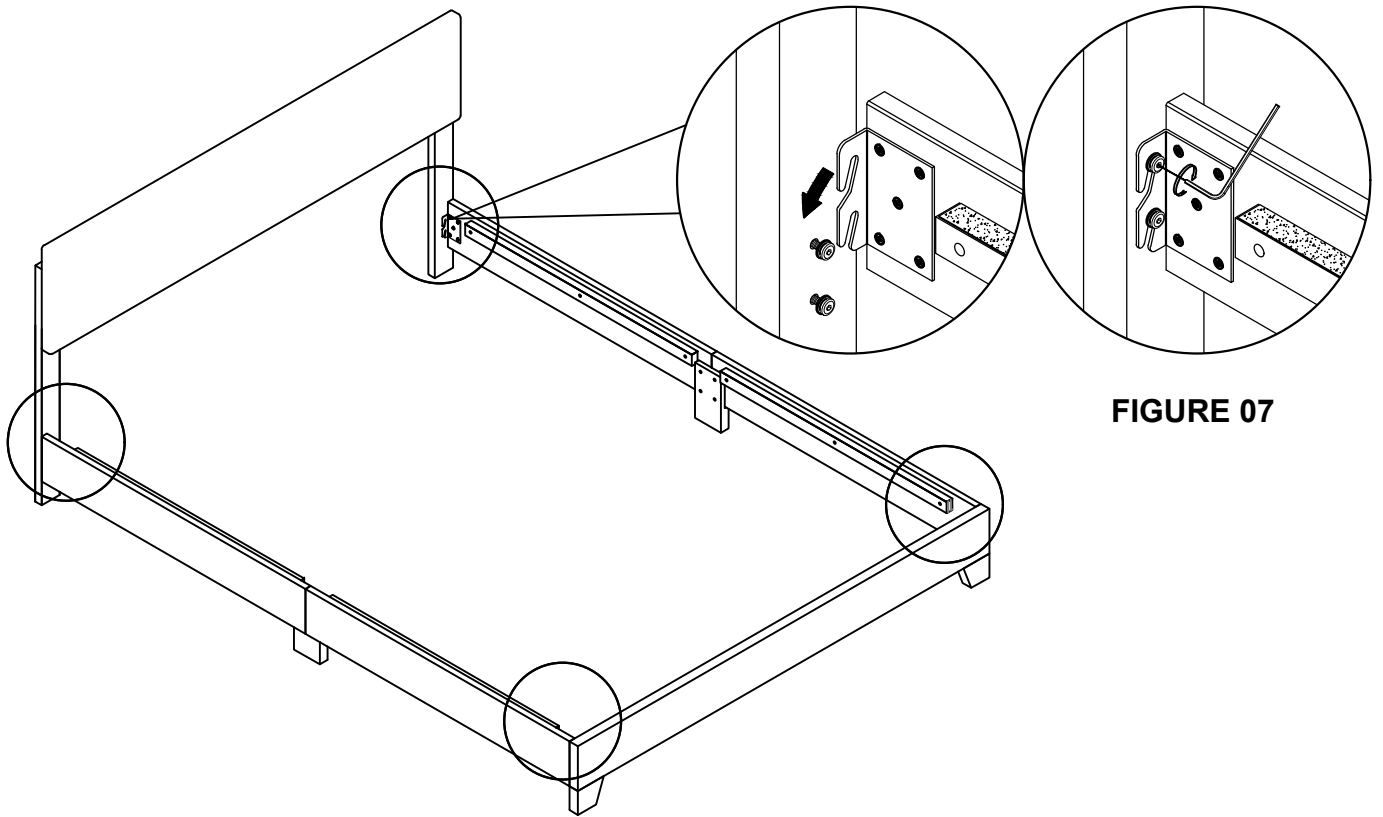


Step6: Install the leg support (E) to the side rail by using the Allen bolt (O) with lock washer, flat washer and Allen key (T). See **FIGURE 06**.

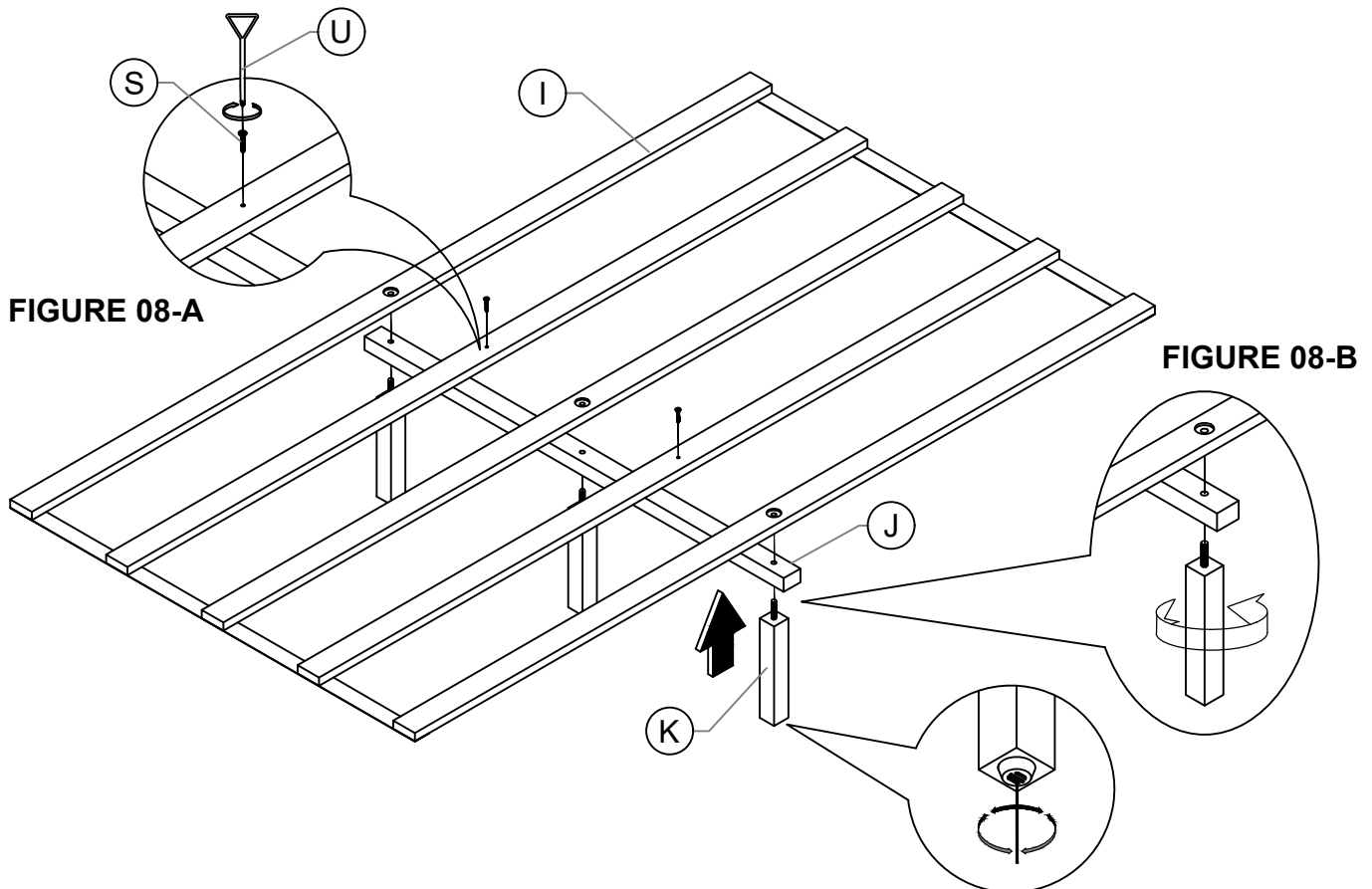


Step7: Raise the side rail (G/H) up , bring the side rail and align the hook on the side rail to the bolts. Once the side rail is set, tighten all bolts by using a Allen key (T) as **FIGURE 07**.

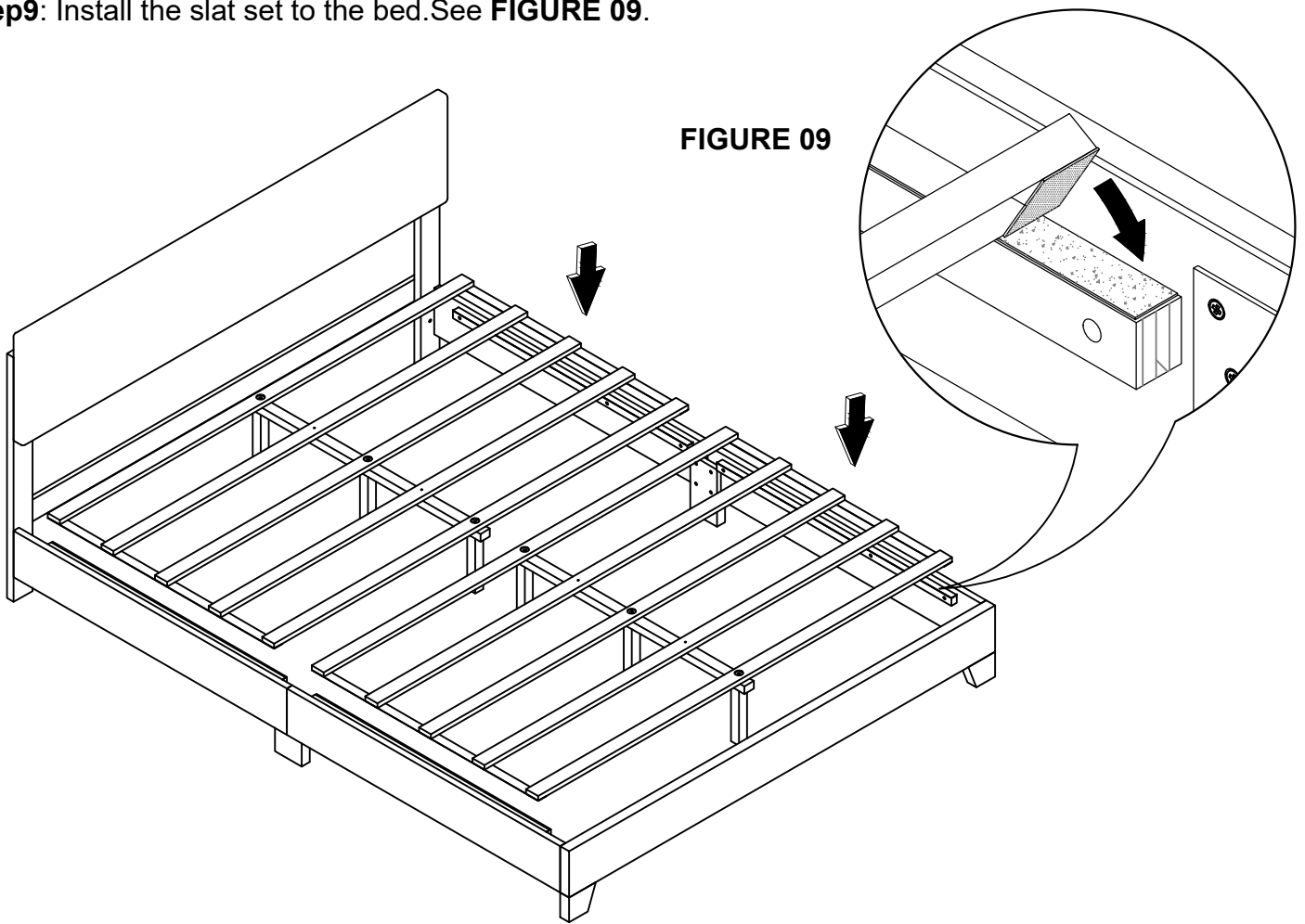
After assembly, re-tighten all bolts for a snug fit. DO NOT OVER TIGHTEN.



Step8: Install the center rail (J) to the slat set (I) by using the screw (S) and tighten by the center legs (K) .See **FIGURE 08-A/B**.



Step9: Install the slat set to the bed. See **FIGURE 09**.



ASSEMBLE COMPLETE.

