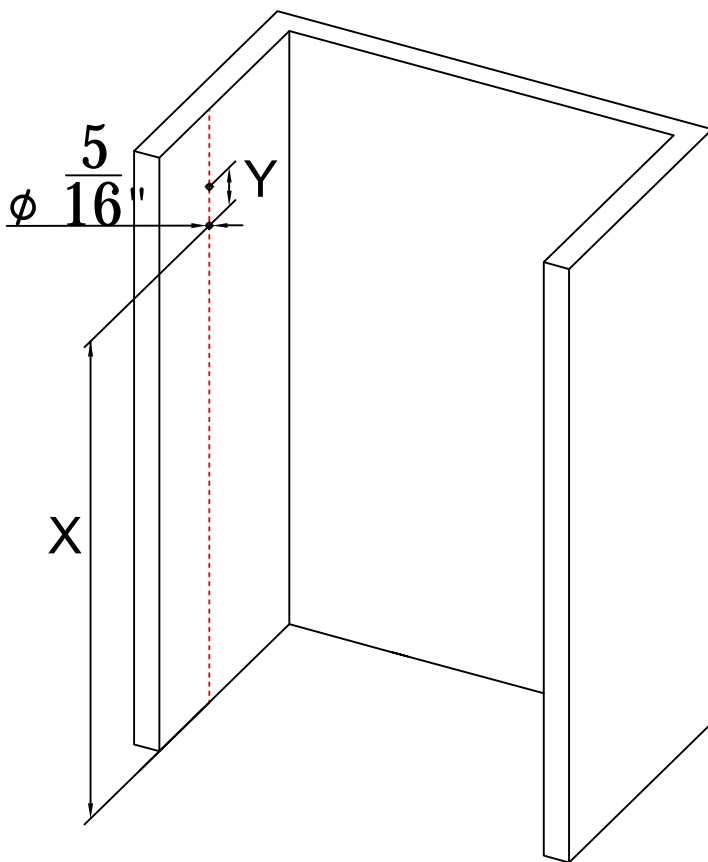


## DS01 Punch map



Product Height	X	Y
60"	55-9/16 "	7/8 "
66"	61-9/16 "	7/8 "
72"	67-9/16 "	7/8 "
76"	71-9/16 "	7/8 "
79"	74-9/16 "	7/8 "

Note: Same punching data for both walls