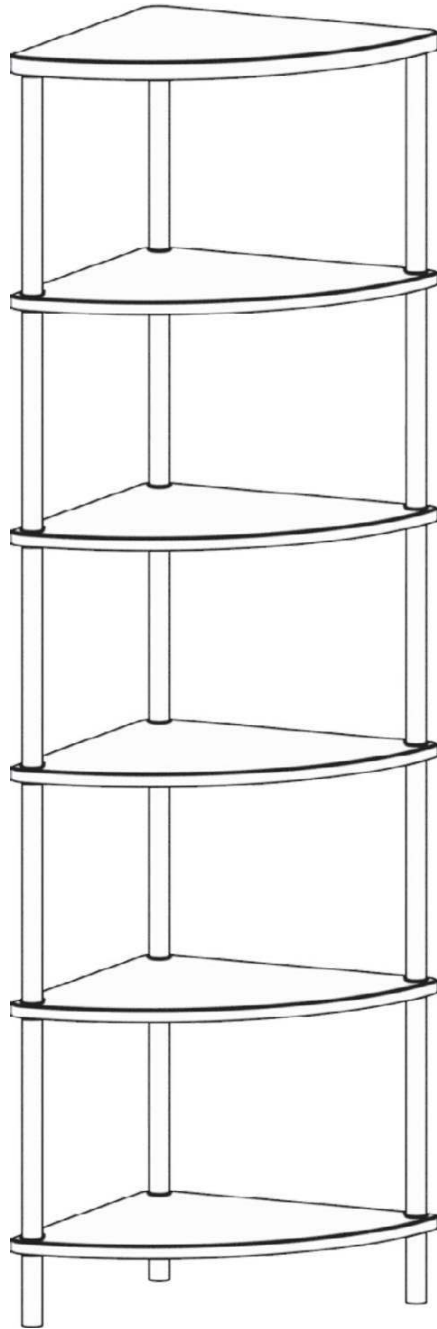
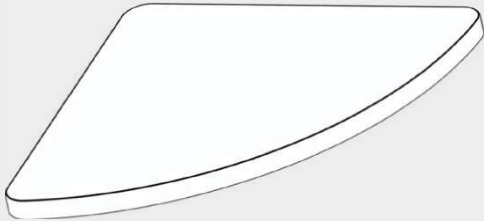

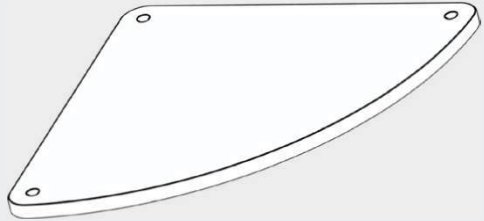




# Installation & Assembly



In order for warranty conditions to be valid, please follow the instructions on the manual. For an easy and efficient assembly, we recommend placing all the parts on a flat surface and reading the manual carefully. Once placed, match all the parts with the instruction manual

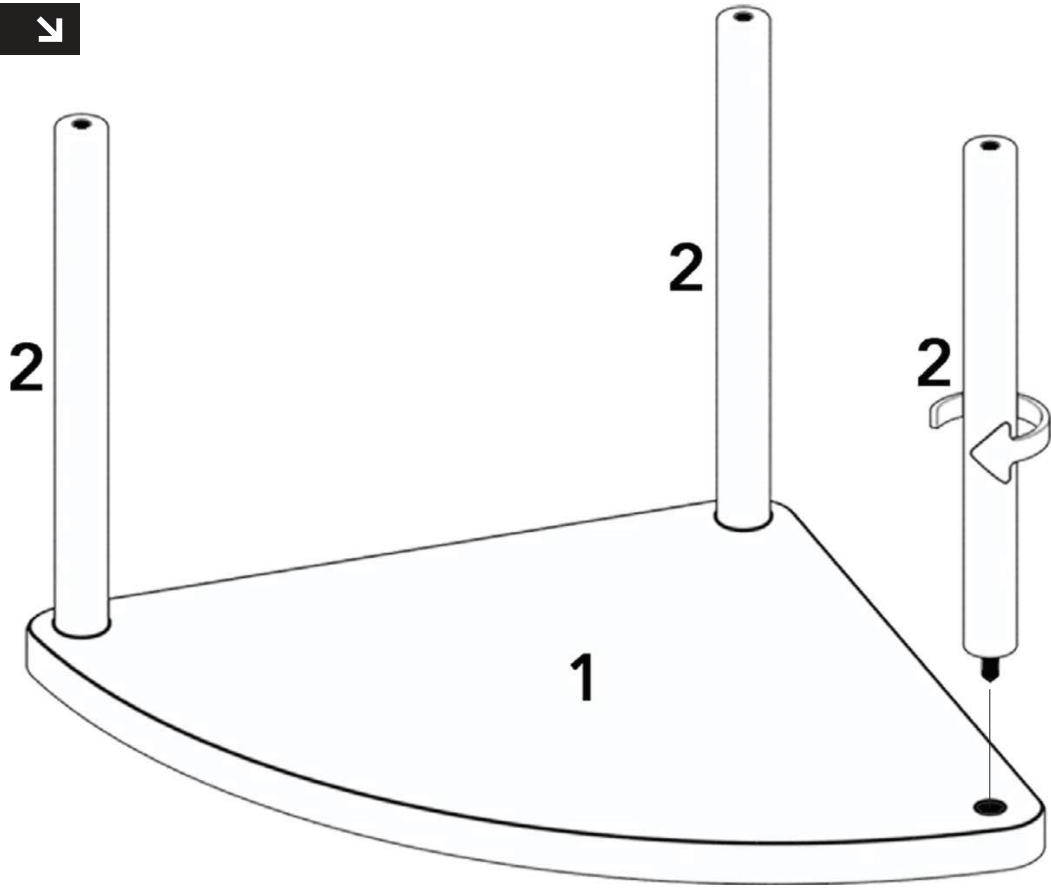
<b>Part List</b> ▾		Part No	<b>1</b>	Piece	<b>x1</b>
<b>1</b>		<b>2</b>			<b>x3</b>
<b>3</b>		<b>4</b>			<b>x12</b>
		<b>5</b>			<b>x3</b>
					<b>x5</b>

**Step 1** ▾ Remove the protective caps before assembly.

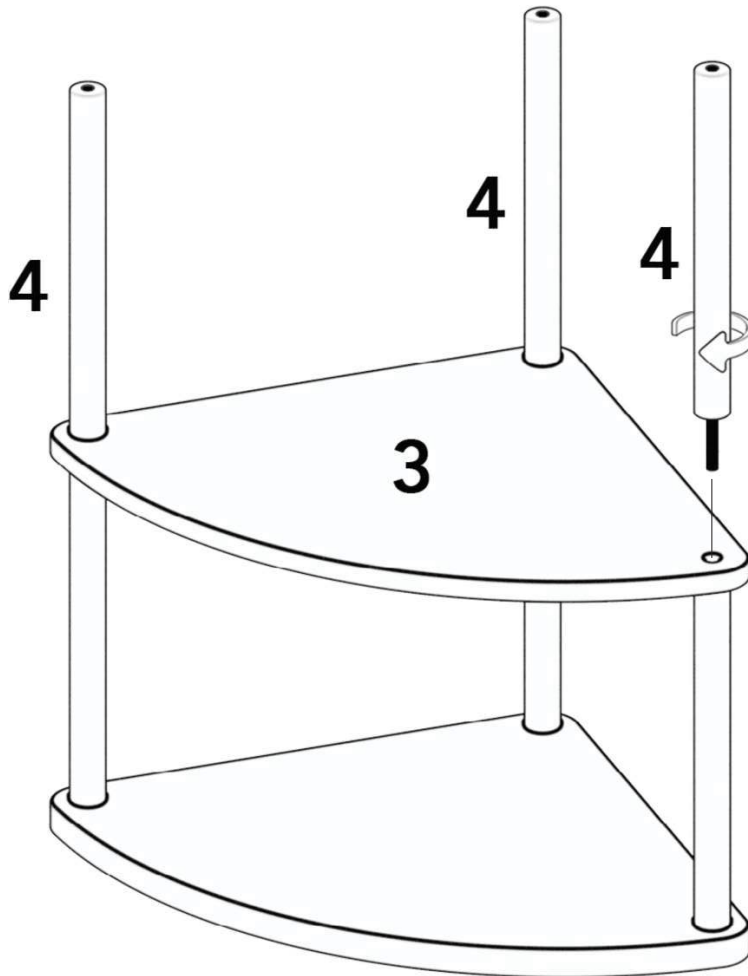


**2**

**Step 2** ↘



**Step 3** ↘



Step 4 ↘

