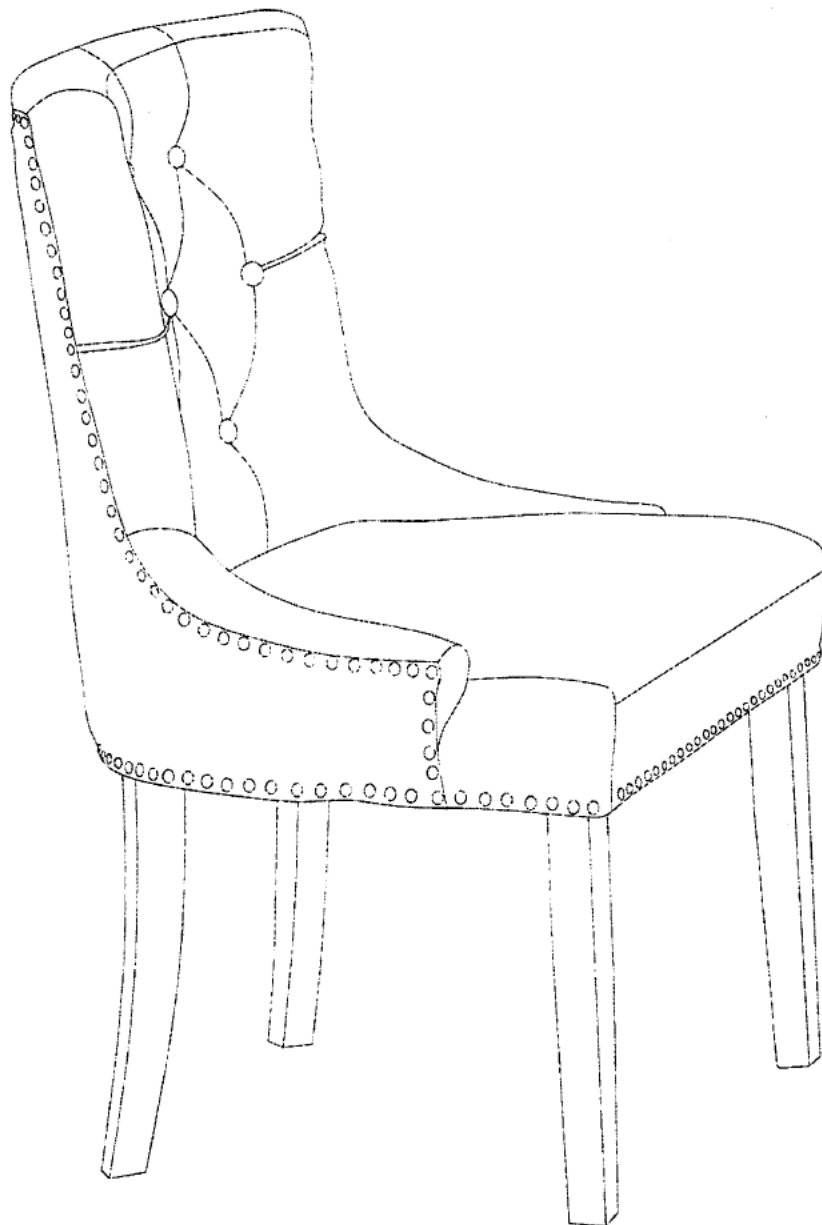


ASSEMBLY INSTRUCTIONS



Description : *PARSON CHAIR*
Product Dimension : *22"W x 22.2"D x 36.7"H*
Cube Size : *23.6"x23.2"x29.3"*

NW: 30.8 LBS

GW: 37.4 LBS

PARSON CHAIR

BEFORE ASSEMBLY

Thank you for purchasing our product. This product has been designed for easy assembly and long lasting use. Please take the time to read and follow the assembly instructions carefully

Be sure to check all packing material carefully for small parts which may have come loose inside the carton during shipment. Please separate, identify, and count all parts and metal hardware. Compare with part list to be sure all parts are present. If hardware is missing or you have difficulty assembling this product, please call for us.

IMPORTANT NOTE:

- Place all wooden parts on a clean and smooth surface such as a rug or carpet to avoid the parts from being scratched.
- Remove all wrapping material, including staples & packing straps before you start to assemble.
- DO NOT tighten all screws and bolts until completely assembled.
- Keep all hardware parts out of reach of children.

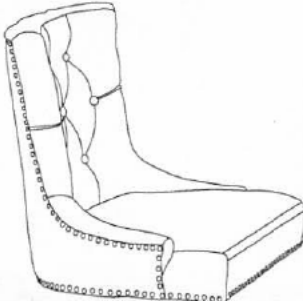
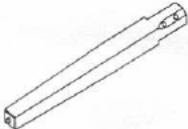

ASSEMBLY TOOLS REQUIRED

NOT INCLUDED








PART LIST

When unpacking, please be careful not to discard any parts with the packaging. Before continuing, please make sure you have the following parts:

NO	Description	Qty	Sketch	NO	Description	Qty	Sketch
A	Seat Frame	1		B	Front Leg	2	
				C	Back Leg	2	

HARDWARE LIST

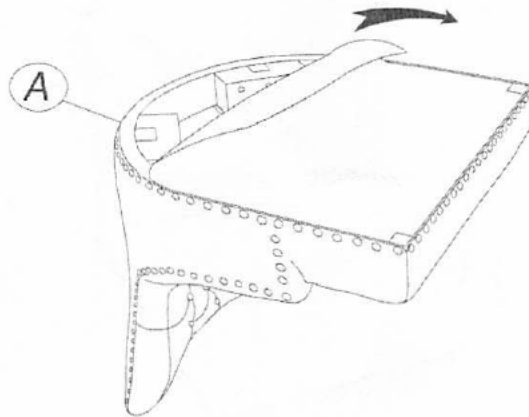
When unpacking, please be careful not to discard any parts with the packaging. Before continuing, please make sure you have all of the following hardware:

NO	Description	Qty	Sketch	NO	Description	Qty	Sketch
1	Short bolt (M6x50mm)	4		4	Flat Washer (ø6.5x19)	8	
2	Long bolt (M6x60mm)	4		5	Allen Key (4mm)	1	
3	Lock Washer (ø6.5x9)	8					

PARSON CHAIR

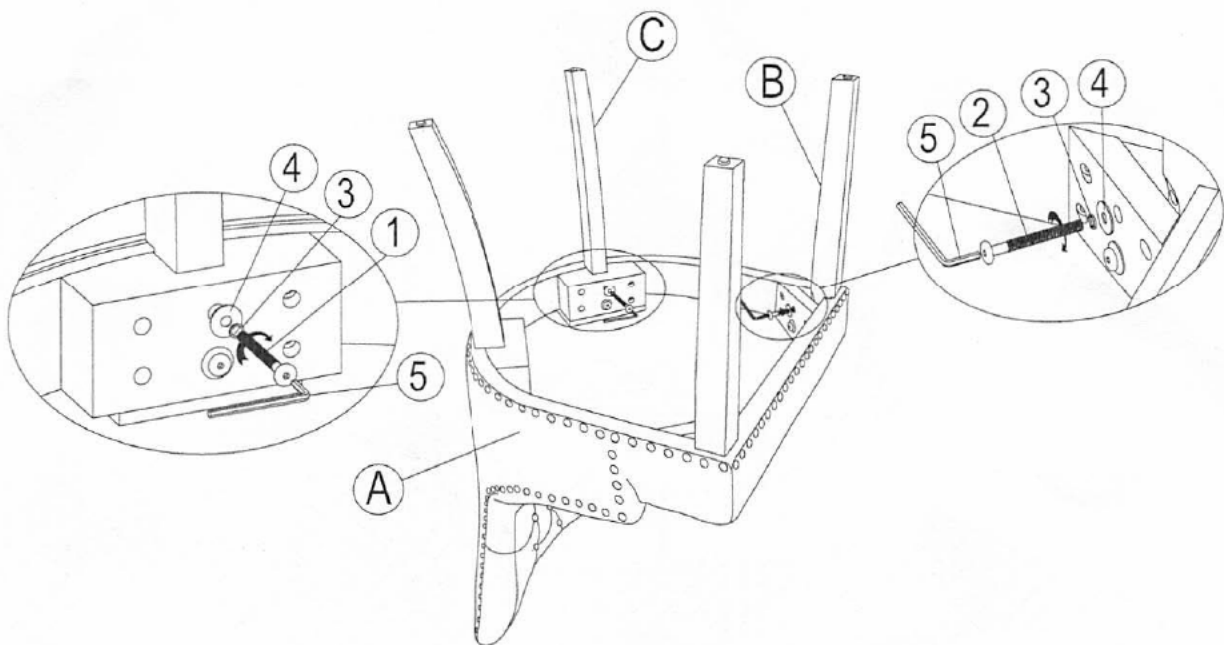
STEP 1

Remove bottom out seat frame (A) as shown below.



STEP 2

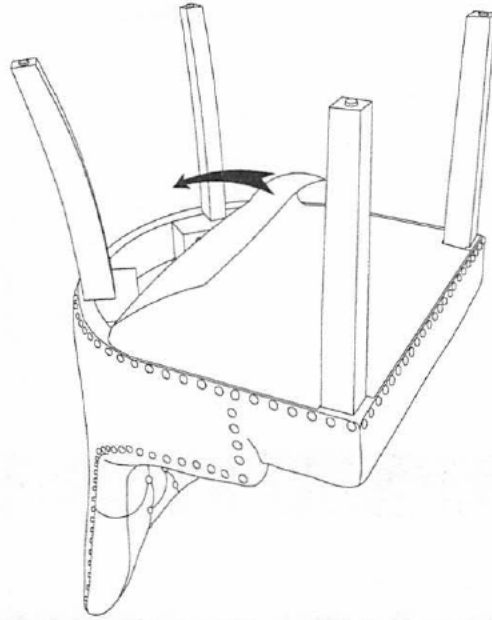
Attach Front legs (B) to the seat frame. Use bolts (2), washers (3) and (4). Tighten with Allen Key (6). Attach Back legs (C) to the seat frame. Use bolts (1), washers (3) and (4). Tighten with Allen Key (6).
Note: DO NOT tighten any of the bolts, until the chair is assembled



PARSON CHAIR

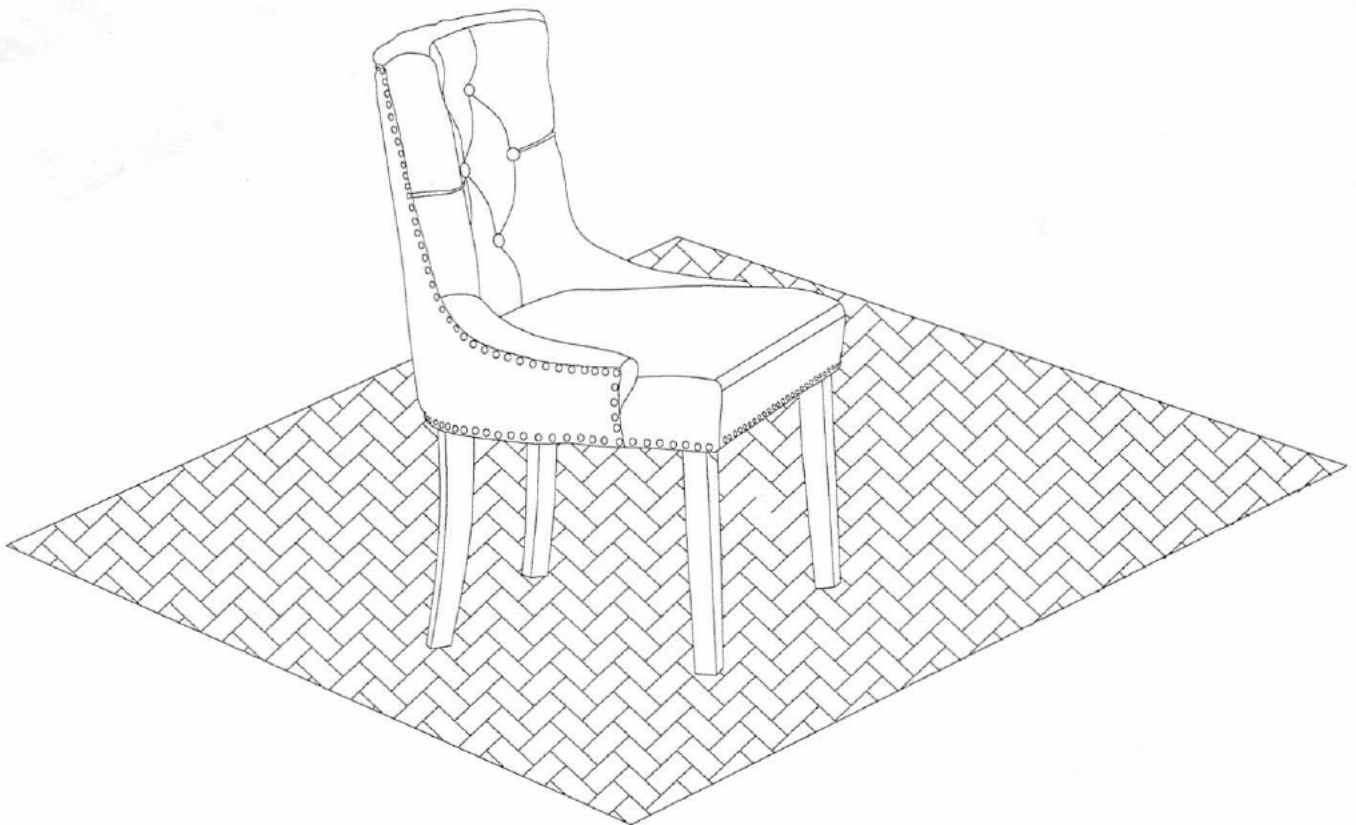
STEP 3

Attach bottom removed on the step 1 on seat frame.



STEP 4

Put the chair on a flat level surface to make sure the chair is level and then tighten the all bolts.



PARSON CHAIR