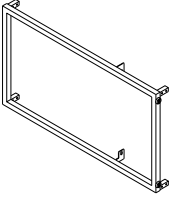
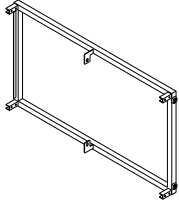
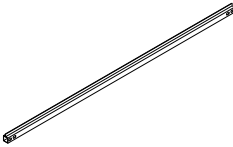
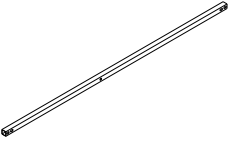
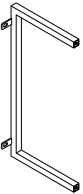
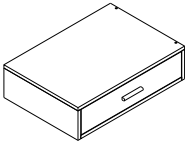
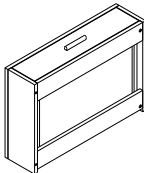
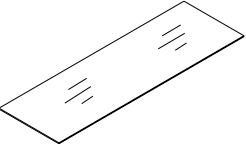
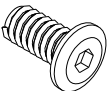
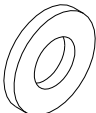

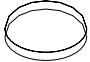
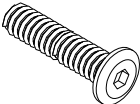

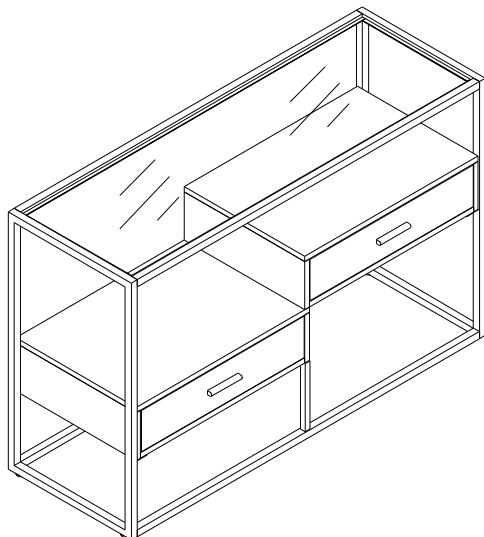


# ASSEMBLY INSTRUCTION

## 2-DRAWER SOFA TABLE

<b>A</b> Left Side Frame  1pc	<b>B</b> Right Side Frame  1pc	<b>C</b> Top Crossbar  2pcs	<b>D</b> Bottom Crossbar  2pcs
<b>E</b> Middle Frame  1pc	<b>F</b> Bottom Drawer  1pc	<b>G</b> Top Drawer  1pc	<b>H</b> Top Glass  1pc
<b>I</b> Bolt 1/4" x 15mm  22pcs	<b>J</b> Washer Φ16mm  24pcs	<b>K</b> Allen Wrench 1/4"  1pc	<b>L</b> Pad 10mm  6pcs
<b>M</b> Bolt 1/4" x 30mm  2pcs	<b>N</b> Wood Dowel Φ8mm x 30mm  2pcs		

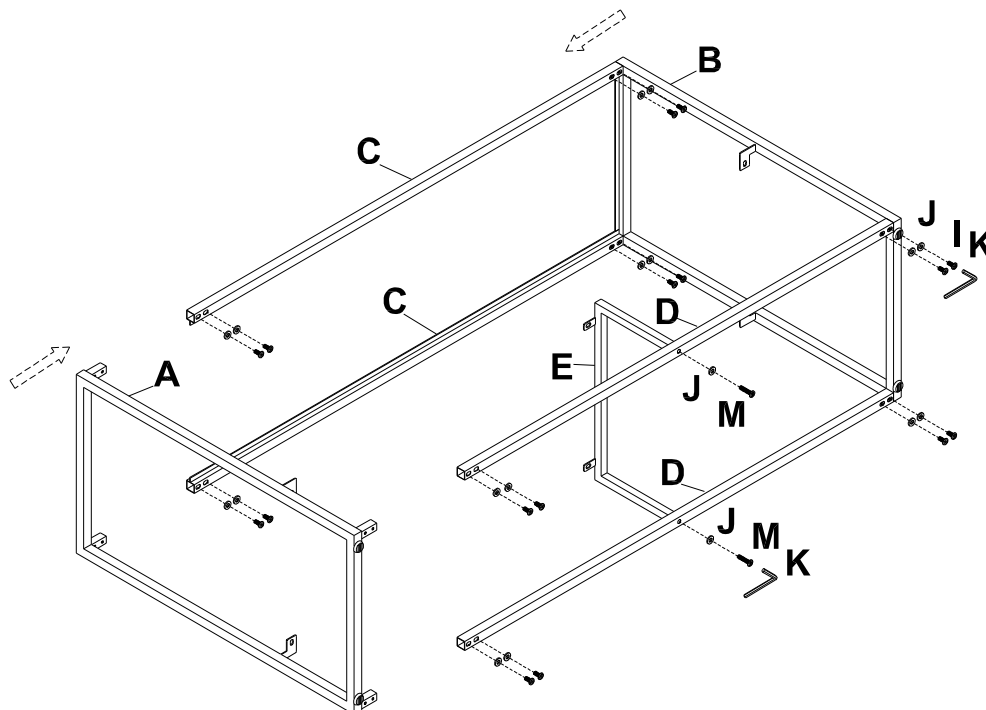


This page lists all the contents included in the box. Please take the time to identify the hardware as well as the individual components to this product. As you unpack and prepare for assembly, place the contents on a carpeted or padded area to protect them from damage.

**\*\*\* Do not tighten screws & bolts until the entire unit is completely assembled.**

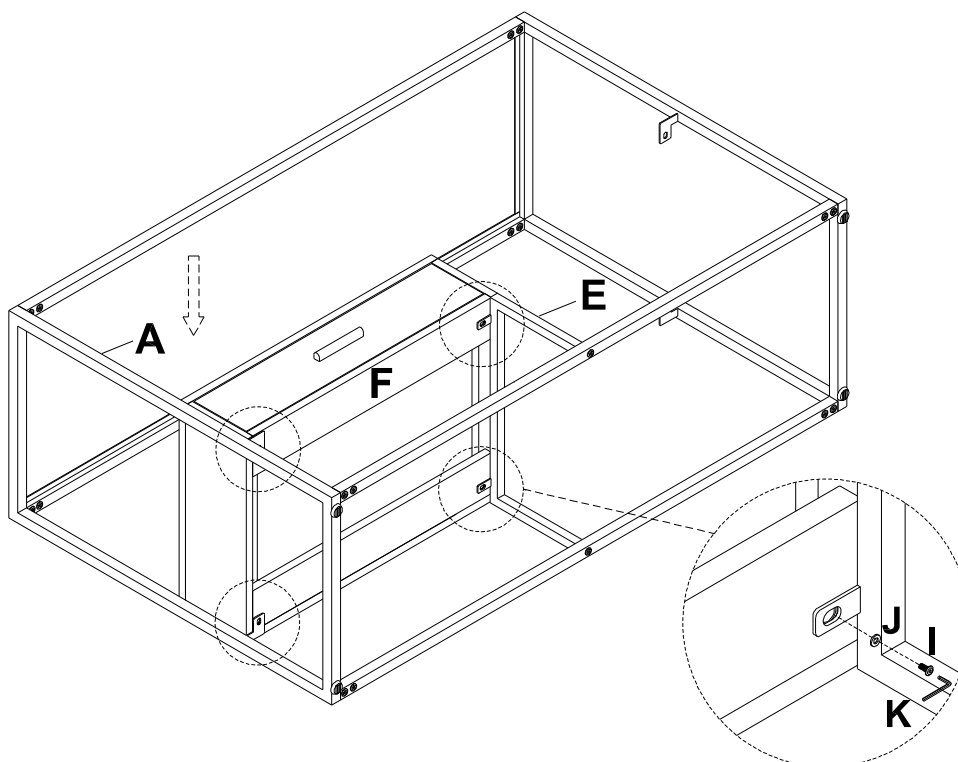
**1**

Attach Top & Bottom Crossbar (C & D) to Left & Right Side Frame (A & B) by Bolt (I) and Washer (J) with Allen Wrench (K). Then attach Middle Frame (E) to Bottom Crossbar (D) by Bolt (M) and Washer (J) with Allen Wrench (K) as shown.



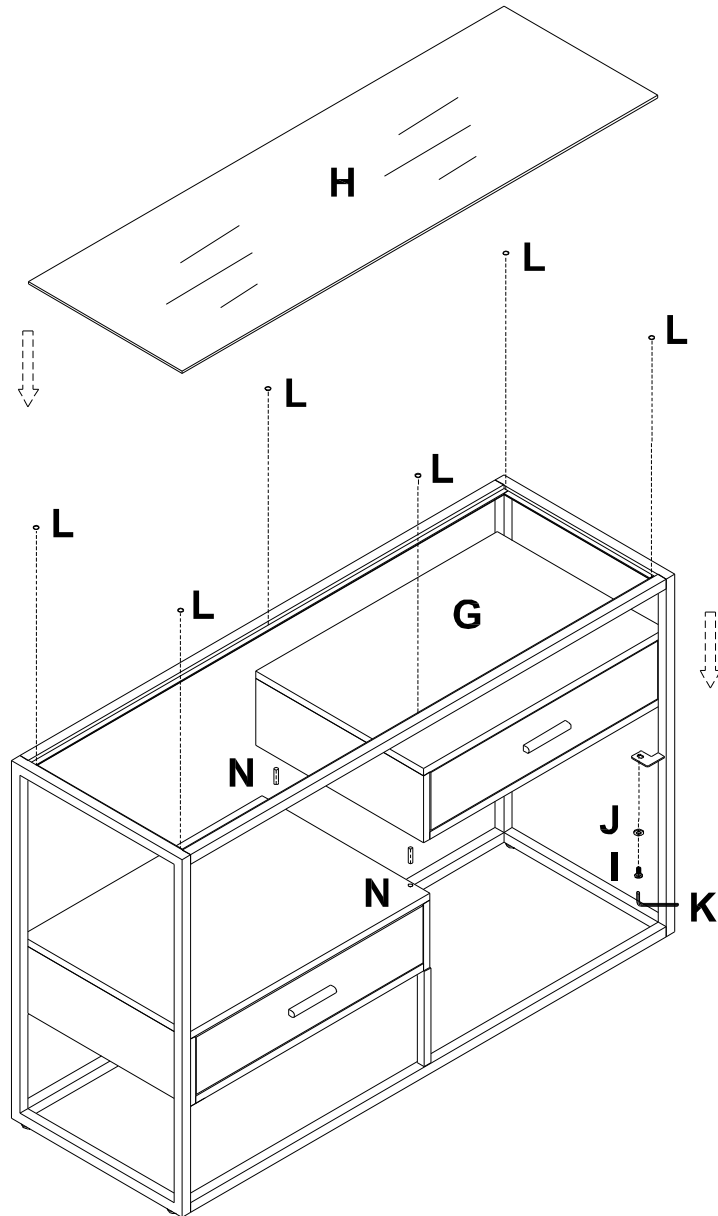
**2**

Attach Bottom Drawer (F) to the Left Side Frame (A) and Middle Frame (E) by Bolt (I) and Washer (J) with Allen Wrench (K) as shown.



**3**

Attach the Top Drawer (G) to the assembled unit by Wood Dowel (N), Bolt (I) and Washer (J) with Allen Wrench (K). Attach Pad (L) on Top Frame, then place Top Glass (H) as shown.



---

### Cleaning & Care

Treat surfaces with care. Surfaces are resistant to scratches but are not scratch resistant. Clean surfaces with a dry or damp soft cloth. Do not use abrasive cleaners. Hardware may loosen over time. Periodically check that all connections are tight.