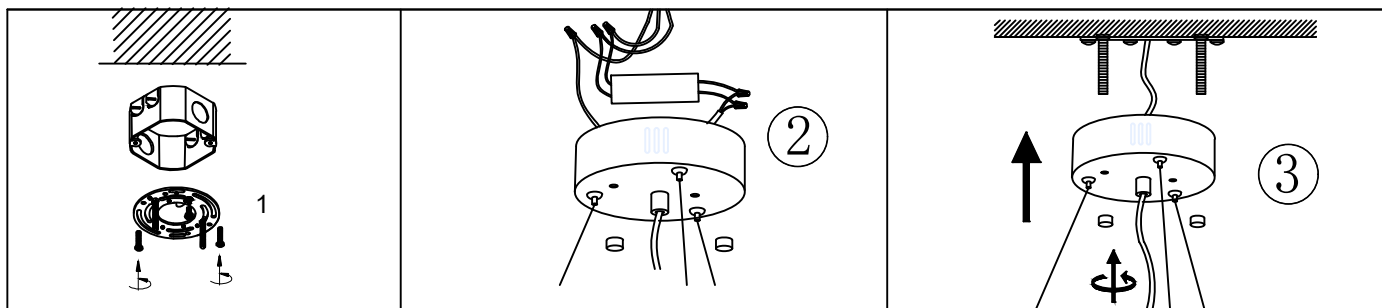
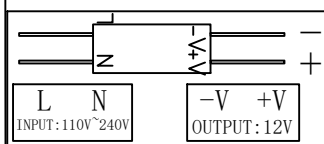
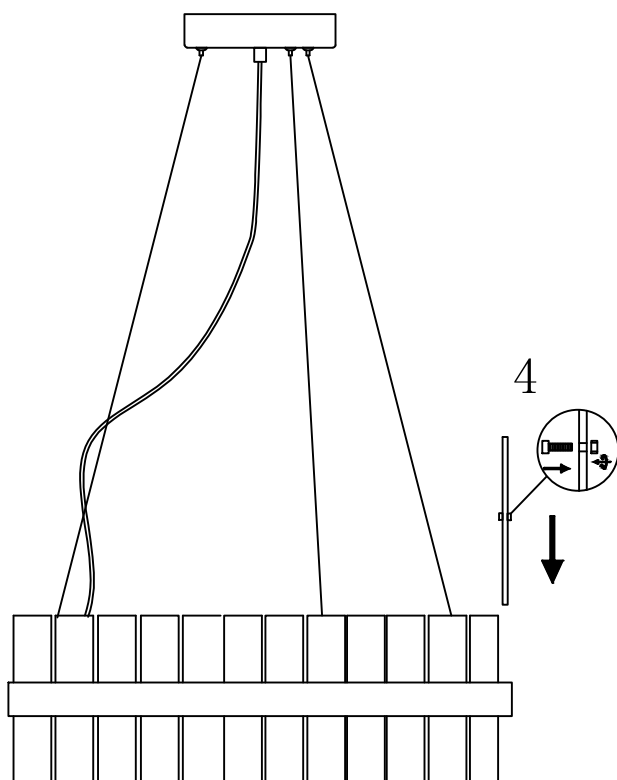


ASSEMBLY INSTRUCTIONS



REF/SKU : CH107

LIGHT SOURCE: LED 35W



Installation Program

1. Install the hanging board on the ceiling and tight it with screw.
2. Connect the positive and negative wires in the junction box to the external power cord.
3. Push canopy up to the ceiling and tight it by screw.
4. Insert the screw into the glass hole and tighten it, then insert it into the metal frame.

ATTENTIONS

⚠ WARNINGS

1. Do not disassembly this products.
2. Do not strike or shake strongly.
3. Do not wipe with ethyl alcohol, gasoline or paint thinners etc.

Assembling Attentions:

1. Components should be on desk, without any defect or out of shape.
2. The bearing of mounting plate should be enough for the lamp, expansion screw is needed for big chandeliers.
3. Once wight of chandelier is over 3kg, it should be fix with Embedded chain hoist to make sure not pressure to wire.
4. Incandescent light bulb can not be installed to combustibile hook directly, can not cling to fabric shade, power can not higher than maximum marked on lamp.

Call : 1-770-416-8188

<https://ella-home.com>