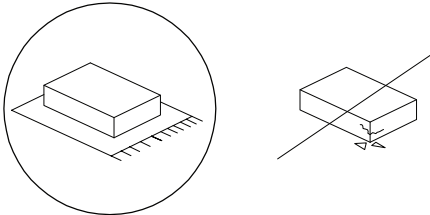

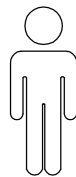
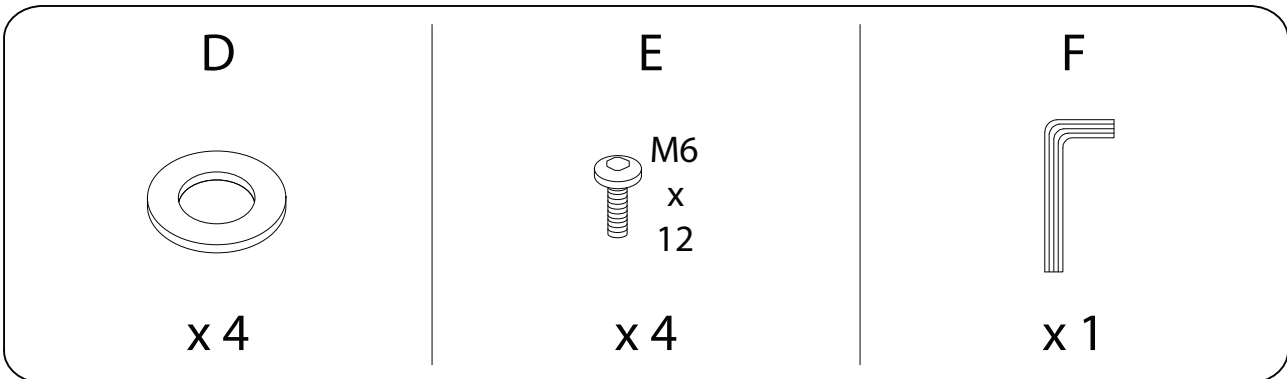
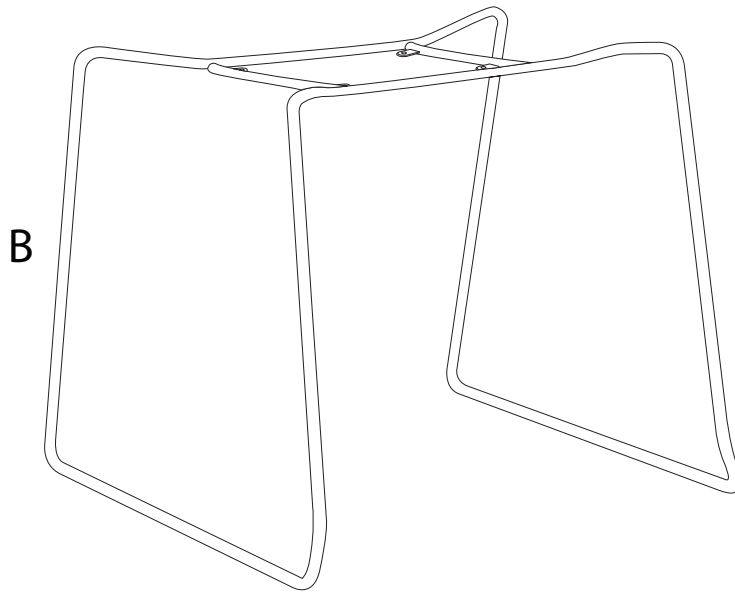
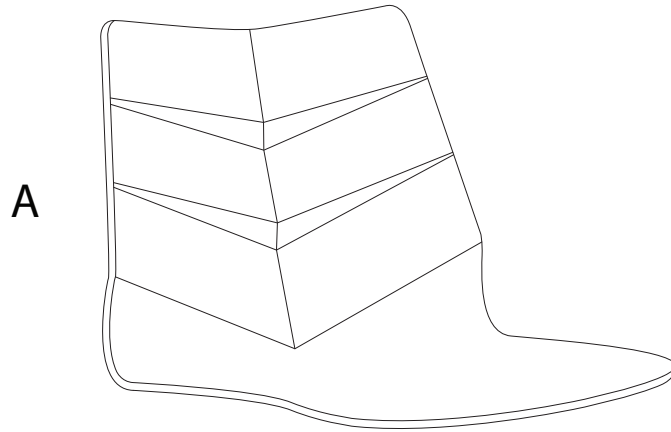
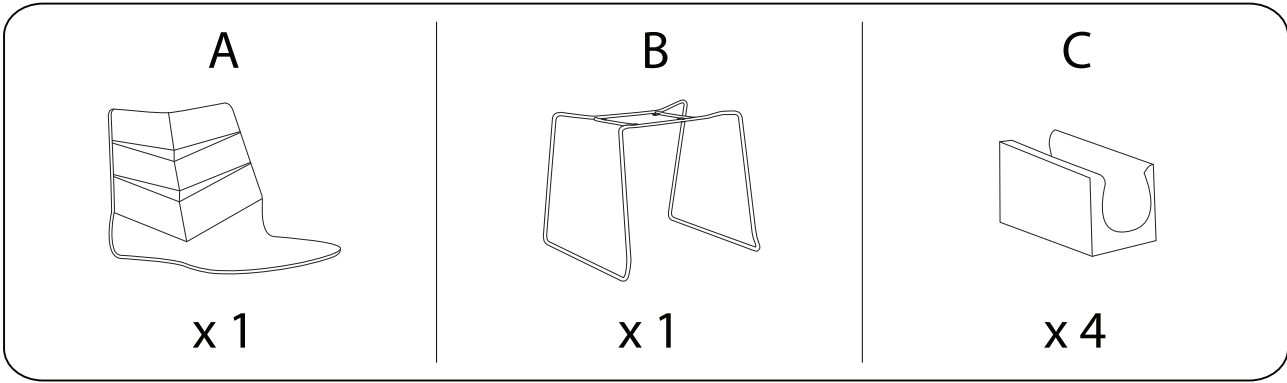
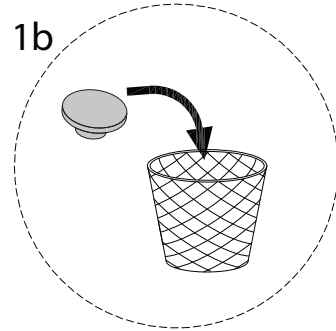
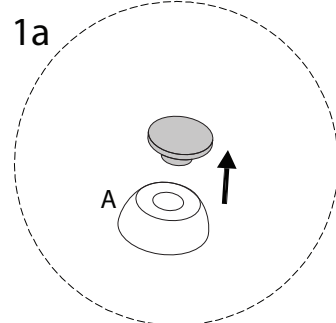
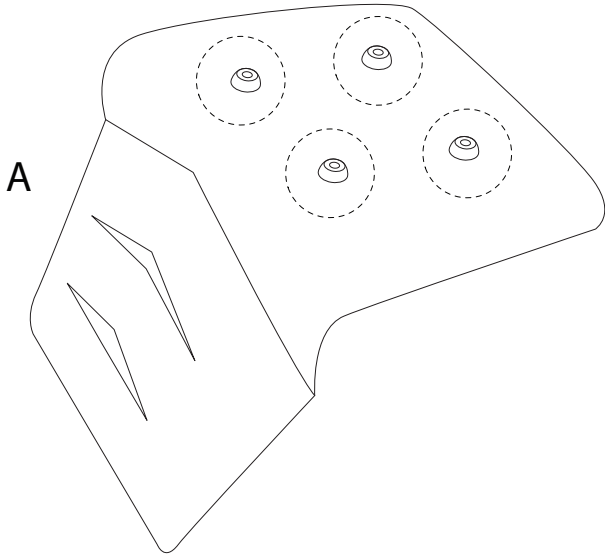
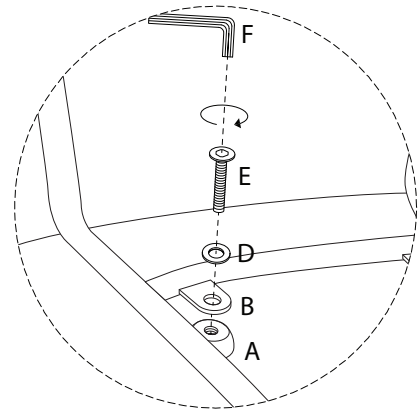
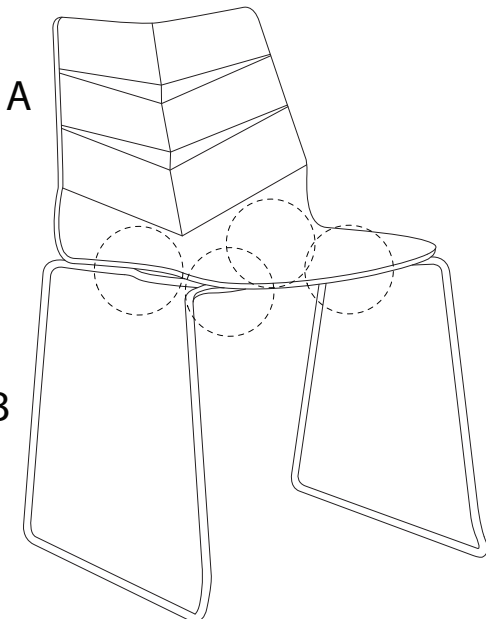
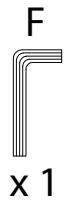
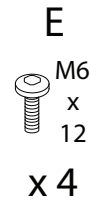
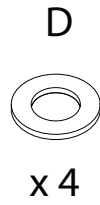
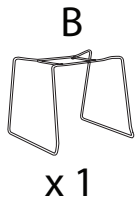
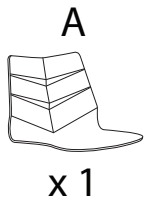

		10'
		
		2



!

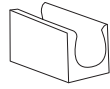


1



2

C



x4

