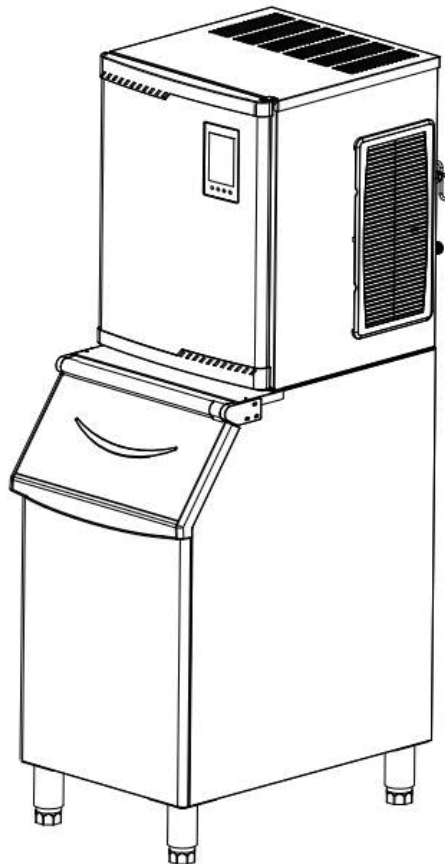


To protect your interests,  
please read this manual carefully before using the product.  
And keep this manual and warranty card properly.

## Commercial ice machine series

# User's manual



(The appearance and pattern of the ice maker are subject to the actual product.)

### NEED HELP? CONTACT US!



Have product questions? Need Technical Support?  
Please feel free to contact us.

✉ After-sales e-mail: [service@callsupports.com](mailto:service@callsupports.com)

🌐 After-sales website: [Callsupports.com](http://Callsupports.com)

📞 +1 888-968-7197 (US) 9AM - 6PM EST

# Contents

<b>I.Safety instructions.....</b>	<b>1-3</b>
<b>II.Installation instructions.....</b>	<b>3-5</b>
<b>III.Name of parts and installation instructions.....</b>	<b>5-7</b>
<b>IV.Operating instructions.....</b>	<b>8-10</b>
<b>V.Cleaning and maintenance.....</b>	<b>10-14</b>
<b>VI.Troubleshooting instructions.....</b>	<b>15</b>
<b>VII.Circuit diagram.....</b>	<b>16-17</b>

The company reserves the right to interpret the instructions.  
Please refer to the actual product appearance.  
Please keep it with the invoice after reading.  
In case of product technology or software upgrades, without notice.

# I. Safety instructions

Dear user,

Thanks for using our company's products. In order to use this product to prevent personal injury and property damage accidents, please read carefully and abide by the following symbols in this manual.



Actions or operations that must be prohibited



WARNING

If the operation is wrong, the user may be injured



Behavior or operation that must be observed



ATTENTION

It may cause damage to goods and property with wrong operation



ATTENTION

**Be sure to store this manual in a place that users can access at any time.**

## Electrical requirements

---



Be sure to use the power supply specified on the sticker of this ice machine. If the voltage fluctuation range is large, please install an automatic voltage stabilizer suitable for power according to the nameplate parameters.



An independent dedicated socket must be used and grounded reliably. The power cord of this series of ice machines is equipped with a three-wire (grounded) plug, and a standard three-wire (grounded) socket should be used. Do not cut or remove the third pin (ground) of the power cord under any circumstances.



The power cord plug should be kept firmly in contact with the socket, otherwise it may cause a fire. In order to prevent damage to the power cord, do not let the ice machine press the power cord or step on the power cord. When moving the ice machine, please be careful not to roll the power cord.



Never pull the plug of the ice maker by pulling the power cord. Hold the plug firmly and pull it out directly from the socket. Before cleaning, repairing and replacing damaged lighting equipment, the power plug of the ice maker must be unplugged to prevent electric shock. Do not use when the power cord is damaged or the plug is frayed.



When gas or other flammable gas leaks, please immediately close the gas leak valve, and then open the doors and windows. Do not unplug or plug in the plugs of electrical devices.



Please install a leakage circuit breaker before use it, to ensure personal safety and safe use of the product.

## Regarding to the use

---



Do not place any debris in the refrigerator, do not freeze any food in the refrigerator, and keep the ice shovel clean.



It is strictly prohibited to put flammable and explosive dangerous goods in the ice making machine, as well as strong corrosive acids, bases and other chemicals.

Do not store or use gasoline or other flammable materials near an ice maker to avoid fire.

Do not touch the surface of the evaporator of the ice maker with your hands after the ice maker is running. Especially when your hands are wet, your skin will stick to the surface of the evaporator and cause injury to your hands.



Do not spray or rinse the ice machine with water, and do not place the ice machine in a humid place where water is easily splashed, so as not to affect the electrical insulation performance of the ice machine. It may even cause accidents such as electric shock and fire.



It is strictly forbidden to disassemble or modify the ice machine without authorization, and it is forbidden to damage the refrigeration pipelines. Repairing the ice machine must be carried out by qualified personnel.

In the event of an abnormality or failure, please unplug the power plug and stop using it. If maintenance is required, you must contact the designated maintenance point.

When the ice machine is not used for a long time, please unplug the power plug, otherwise the aging of the insulation layer will cause leakage fire.



Please take care of children, stop them from putting hand and foot into the ice machine, back and other gold layer protection parts of the punching, side seam, so as not to cause harm to the body. When the ice maker is not in use, please close the ice maker door and do not let children play.



When not using the ice machine, please keep the ice machine away from fire to prevent accidents. And send the ice maker to the designated processing location for processing.



If some models use flammable foaming agent, beware of fires (the product is marked with "Beware of Fire"). When the product is abnormal, it must be repaired by qualified personnel and organizations.



This machine is not intended to be used by people who are physically weak, children, slow to respond, or have mental disorders, unless it is used safely under the guidance or help of persons responsible for their safety.

Children should be supervised to ensure that they do not play with machines.



If the power cord is damaged, it must be repaired by a professional person.

## Use of environment

---



The ice maker must be placed on a flat and firm ground and removed from the packaging base. If it needs to be elevated, a stable, hard, non-flammable pad should be selected. Do not use the

packaging foam of the ice maker to elevate the ice maker.



Ice makers should not be placed in wet or vulnerable landholders, or they will cause fire or risk of electrical shock.



This ice maker should not be installed near stoves, ovens or other high-temperature equipment, and try to avoid direct sunlight to avoid affecting the heat dissipation of the machine.



This series ice making machine is not suitable for outdoor use. Normal working ambient temperature 3°C-32°C. Normal working water temperature 0.6°C-32°C.



Do not install the ice machine in a place where dripping is not allowed. Condensation may drip from the outer shell of the machine in the rainy season or humid environment.



**WARNING**

This appliance is used for similar purposes such as kitchen areas in shops, offices or other workplaces; customers in farms, hotels, motor hotels, and residential environments; family hotel-type environments; catering and similar non-retail applications.

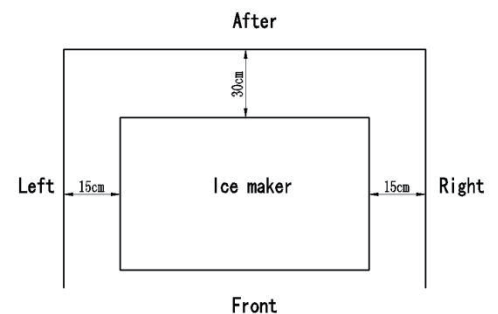
## II. Installation instructions

### Installation of ice maker

---

1. Remove all packaging components.
2. Check whether the machine is damaged during transportation, then take out the attachment.
3. This series of ice machines should be placed in a clean place with ventilated air, not in the open air, not exposed to direct sunlight and rain, and not near heat sources.
4. The ambient temperature around this machine should not be lower than 3°C and not higher than 38°C, and proper spacing should be kept around to maximize the efficiency of ice making and the heat dissipation of the machine.
5. When install the ice maker, please place the ice maker horizontally, and the items can not be placed on the top.

#### Top view:



**WARNING**

This series of machines is strictly prohibited to be placed below the freezing temperature to make ice, otherwise it will cause serious failures. When moving the ice maker, the maximum inclination angle cannot exceed 45 degrees (the angle before the vertical direction) to avoid failure of the refrigeration system and affect normal use.

## **Installation of water systems**

---

1. Water supplied to the ice maker must meet local drinking water standards.
2. The water supplied to the ice maker must be connected to a filter in order to improve the drinking standard of the water. Please do not directly connect to tap water. Our company will not be responsible for repairing ice-making failures caused by tap water quality.
3. Please connect the drain pipe to the drain port of the ice maker, and connect the other end of the drain pipe to the drain floor drain. The drain pipe should have a flow drop of 3 cm per meter.
4. The normal working water temperature of this series of ice machines is 0.6~32 (°C), and the normal working water inlet pressure is 130KPa~550KPa.

## **Installation of power supply**

---

1. Access power supply shall be consistent with the machine nameplate indicated.
2. Do not connect other electrical appliances to the same socket.
3. Y connection, the connection method that must be replaced by the manufacturer, service organization or qualified personnel for the power supply soft wire.
4. The power plug should be directly plugged into a power socket with a grounding wire, not a temporary wiring board. All lines must comply with national or regional standards.
5. Voltage fluctuation shall not exceed  $\pm 10\%$  of the rated voltage, otherwise a voltage regulator shall be installed.

## **Check before starting**

---

1. Whether the ice machine is placed horizontally.
2. There is no problem with the power outlet, whether the water pipe is connected correctly.
3. Whether the connected power source is consistent with the one on the nameplate of the machine.
4. Whether the ambient temperature and water temperature of the ice maker are within the indicated range.

## **Correct operation when used**

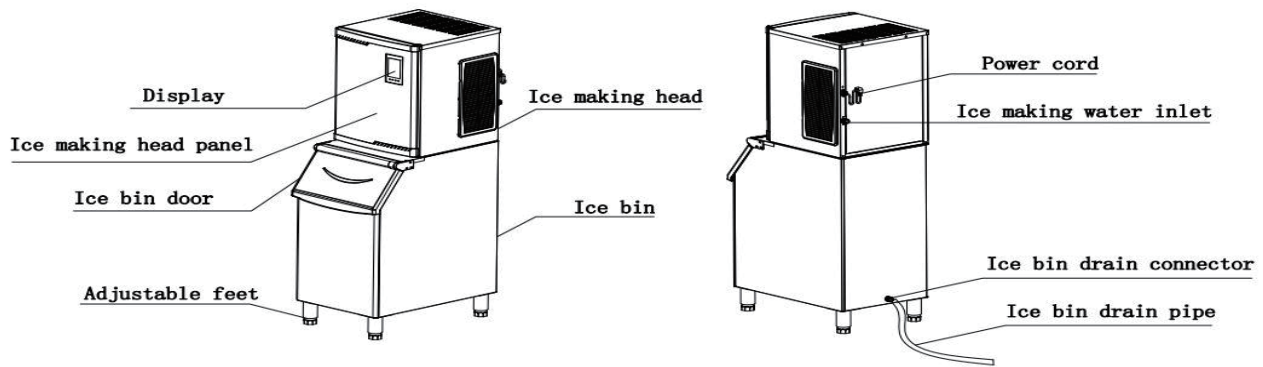
---

1. After installing the ice maker, do not need to switch on the power, let the ice maker stand for more than 30 minutes and then switch on the power to ensure that the ice maker operates normally.
2. Connect the ice maker to a dedicated socket.
3. After several hours of operation of the 3. refrigerator, the temperature in the refrigerator will be stable at the set value, during which time to minimize the number of open doors.
4. Ice storage drum around for the ice machine wind-cooled passage, no items placed around.

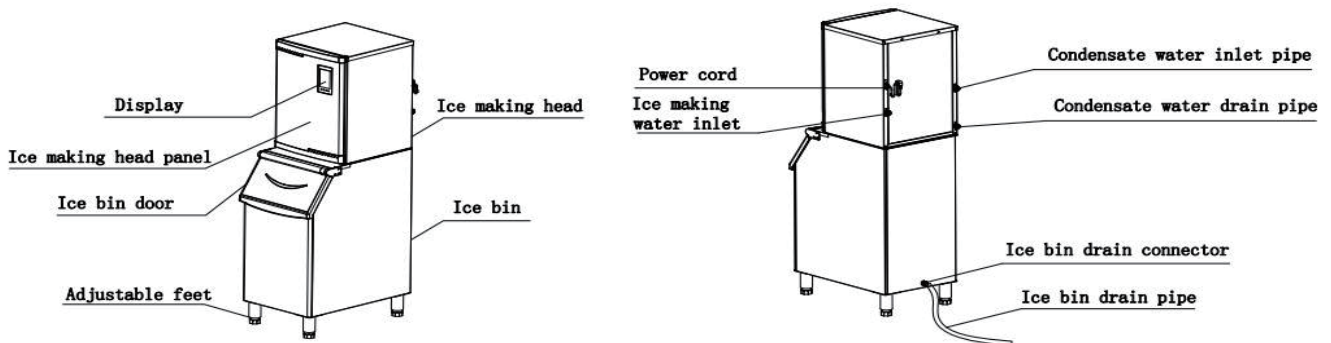
5. Ice machine to use independent water source, and regular inspection to prevent water pressure is too low, fluctuation or filter clogging.
6. Switch the refrigerator door, should be light open, do not slam the door, after the ice please close the refrigerator door.
7. Ice making machine should be away from heat source, strictly prohibited to use in high temperature or low temperature environment, should try to avoid sun value, so as not to affect the heat dissipation of the machine.
8. If the ice maker is left unused for a long time (more than one day), please discharge the ice maker to avoid bacteria growth. There is a possibility of icing in the place of use, please drain the ice machine.

### III. Name of parts and installation instructions

#### Appearance structure: air-cooling



#### Appearance structure: water-cooling



**Due to product improvement and serialization, the product you got may not be exactly the same as the picture in this manual. Apologize for this.**

## Water supply installation

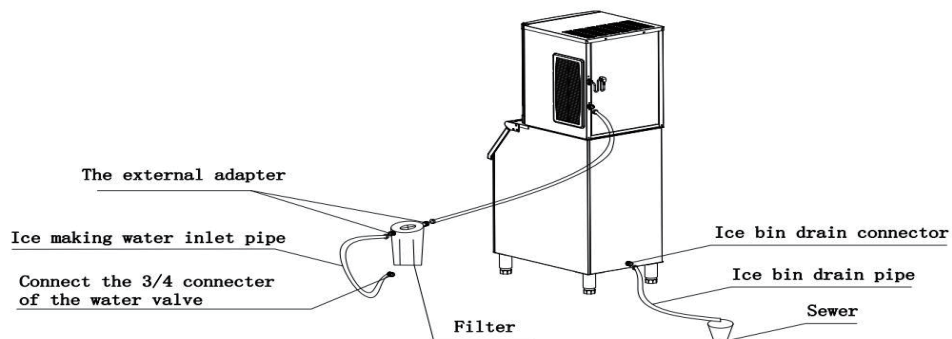
1. Ice maker must use potable water filtered at room temperature.
2. Water pressure must be controlled between 130 KPa~550 KPa, if overpressure needs to install pressure relief valve, do not make the inlet hose be squeezed.
3. There is a filter element inside the filter, unscrew it with a filter wrench before use, take out the filter element, tear off the packaging film of the filter element, install it back as it is and tighten it. The filter element is replaced with a brand new one every six months during use.
4. The filter cover is marked with inlet and outlet direction, please pay attention when installing.
5. For the ice machine with water-cooled configuration, two 3/4" male threaded water pipe joints, water-cooled water inlet and water-cooled water outlet, are added to the machine, and the supporting water inlet hose is connected.
6. Ice machine drains by gravity. Therefore, it is necessary to ensure that the drainage pipe has sufficient slope and drop.

**Warning: Only connecting to drinking water source!**

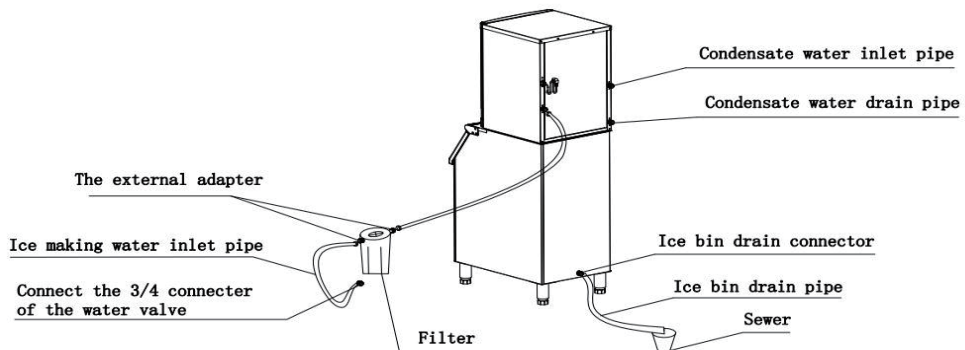
## Name of components and installation instructions

---

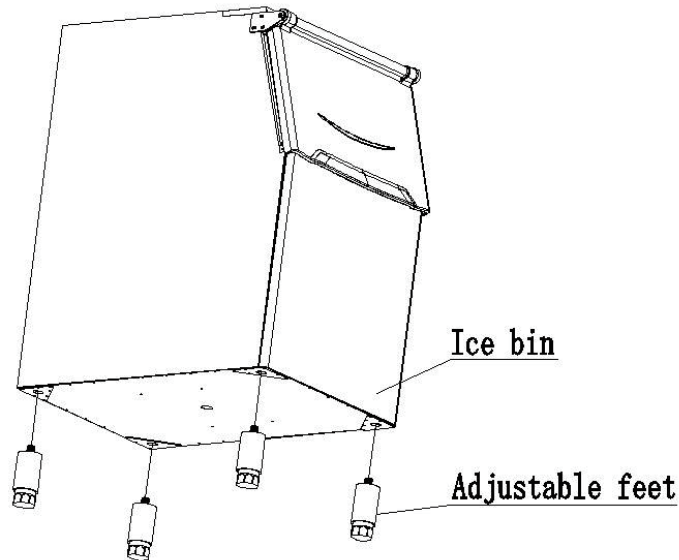
### Air-cooling external diagram:



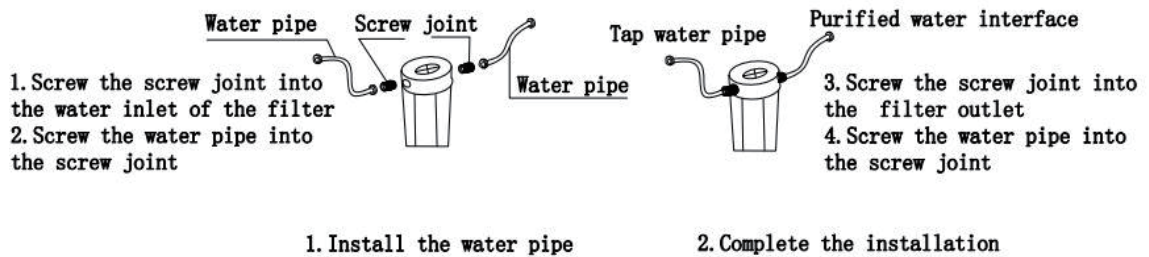
### Water-cooling external diagram:



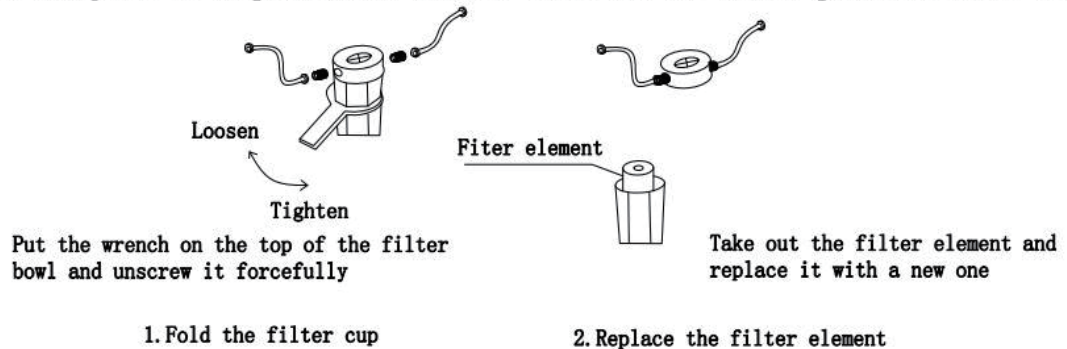
## Schematic diagram of ice bin installation:



## Installation diagram of water purification filter



## Schematic diagram of replacement filter element of water purification filter



# IV. Operating Instructions

## Operating Panel Function Description



## Ice Full Function

---

1. when the ice storage bucket is full, the falling ice gear plate can not be closed automatically, the machine automatically stops working.
2. when the ice is used, the ice drop gear plate is reset and the machine is automatically started after a delay of 3 minutes.



If the ice machine stops due to voltage and water pressure fluctuations, and does not brake or release the ice board, please unplug the power supply for 5 minutes before powering on and testing the machine. Due to changes in water temperature and ambient temperature, ice ridges may sometimes appear in the water tank. If the ice ridges are severe, please unplug the power supply for 10 minutes before turning on the power.

## Operating Instructions II

### **Warning**

1. This ice machine is designed to make edible ice. To keep the ice machine clean and hygienic, you should do the following:
  - \* Wash your hands before taking ice. Use the included plastic ice scoop (accessory) to remove ice.
  - \* The storage bin is for ice storage only. Do not store other items in the storage bin or use other electrical appliances in the storage bin.
  - \* The storage bin must be cleaned before use (see "5. Cleaning").
  - \* Keep ice shovel clean. Clean with neutral detergent and rinse thoroughly with water.
  - \* Close the bin door after removing ice to prevent dirt, dust or insects from entering the bin.
2. The use of electrical equipment requires compliance with some basic regulations, especially:
  - \* Using electrical equipment in high humidity environments increases the risk of short circuits and electric shock. If you suspect high humidity, unplug the ice machine.
  - \* Do not disconnect the ice machine's power supply by pulling on the ice machine's power cord.
  - \* This ice machine is a commercial ice machine and can only be operated and used by qualified personnel in accordance with the manufacturer's current operating procedures.

### **Notice**

After turning off the ice machine, wait at least 3 minutes before restarting the ice machine to prevent damage to the compressor.

All parts are adjusted before leaving the factory. Improper adjustment after installation may cause malfunction.

## Start up

The installer will usually give the ice machine a test run to start the automatic ice making process. To ensure that the ice machine can work continuously, please confirm the following:

\* The water supply tap has been opened.

\* The ice machine is plugged in.

## When the ice machine is not used for a long time

### Notice

This ice machine cannot operate at temperatures below freezing point. To prevent damage to the water supply line, drain the ice machine when the temperature is below freezing. If water remains in the ice machine when the temperature is below freezing, it may cause serious damage to certain parts and such damage is not covered by the warranty.

### Health

When the ice machine is shut down for 2 days or more, please drain the water inside to prevent waterway contamination.

1. Unplug the ice maker or disconnect the power source.
2. Close the water supply faucet and remove the water inlet hose.
3. Remove all ice cubes from the storage bin and clean the storage bin.
4. Ask professionals with appropriate knowledge to drain the ice machine.

## V. Cleaning and maintenance

### Cleaning

#### Warning

Before performing cleaning or maintenance work, unplug the ice machine from the power supply network.

Before cleaning or maintenance work, please clear the ice cubes in the ice storage tank.

Do not use water spray to flush this ice machine.

#### Be careful

When using neutral solutions or sodium hypochlorite solutions, be sure to fully read and understand the accompanying instructions to prevent potential health problems.

#### Notice

The ice machine water system should be cleaned and disinfected (at least twice a year) by trained maintenance personnel, and the condenser should be inspected and cleaned (at least once a year).

Do not put plastic parts into water with a temperature exceeding 40°C or wash them in a dishwasher to avoid damaging the parts.

### 1. Ice maker and storage bin casing

Wipe the ice machine casing with a clean soft cloth at least once a week, and wipe away grease and dirt with a damp cloth containing a neutral detergent.

#### Notice

Do not use hard-bristled brushes or wire brushes, nor use scouring powder, gasoline, banana water, acetone and other organic solvents. Do not use boiling water or cleaning agents containing acids or alkalis to clean the machine.

Do not spray with water when cleaning to avoid affecting the electrical insulation.

## 2. Cleaning and disinfection of ice shovel (daily)

Step 1: Pour 1 liter of water into a suitable container as required, then add 4 ml of 5.25% sodium hypochlorite solution or the disinfectant recommended by the manufacturer and mix.

Step 2: Soak the ice shovel in the solution for more than 3 minutes, then rinse thoroughly and shake off excess water.


Note: Drying with a rag may cause secondary contamination.

## 3. Cleaning and disinfection of ice machine (once a week)

Note: Due to different water quality in various regions, some areas may require more frequent cleaning and disinfection.

### Cleaning method

#### Before cleaning

 <b>Notice</b>	
Before starting the cleaning mode, be sure to remove the front frame. After all the ice cubes have slipped away at the end of the de-icing cycle, turn off the machine, open the storage bin door, and take out all the ice cubes.	
Please use a special ice shovel to remove ice cubes from the storage bin.	
Do not use tools to peel off the ice on the evaporator, otherwise the evaporator may be damaged.	
Do not use any alcohol-based liquids to clean or disinfect the ice machine, as this may cause cracks in the plastic parts.	
When handling chemicals, be careful not to spill them.	
Please wipe up any spilled liquid thoroughly. If not treated in time, it may cause rust around it.	

<b>ventilation</b>	Adequate ventilation	<b>prohibit</b>	Do not dilute or mix the medicine with anything other than room temperature water.
	Chlorine gas produced from chemicals can be hazardous to health. Please operate in a ventilated area.		Adding hot water will cause the medicine to evaporate, and mixing with other medicines or foreign matter will produce gases that are harmful to the human body and endanger health.
<b>Wear protective equipment</b>	When handling chemicals, wear goggles and protective gloves.	<b>storage</b>	Please keep medicine out of the reach of children.
	May cause inflammation if in contact with eyes and skin. For relevant details, please follow the precautions of the medicine.		If swallowed accidentally, rinse your mouth immediately with water. Please do not drink water to induce vomiting, and seek medical advice promptly.
<b>prohibit</b>	The potion is not drinkable	<b>prohibit</b>	Do not discharge chemicals directly into drainage ditches, waterways or the ground.
	Not a drink. Please do not use it for purposes other than cleaning. To avoid harming health.		May cause environmental pollution. Please dispose in accordance with local regulations.

Before starting cleaning, please carefully read this [Cleaning Method] and the [Precautions], [Usage], and [Emergency Measures] written on the medicine package, and then use it correctly. Please observe the following [Notes].

### Things to note before washing

1. Please read these instructions carefully before starting washing, and follow these instructions to operate correctly:

\*After cleaning your hands, use a special ice shovel to remove all the ice from the storage bin. When taking out ice, be sure to do it with all the ice cubes falling off and the machine turned off.

\*Please prepare a container for dissolving the medicine in advance.

\* Please ensure that the container used to dissolve the medicine is clean before use. There should be no dirt, oil stains or other unclean things attached to it.

\*Please use a container to fully dissolve the quantitative medicine and set it aside for later use.

2. When the injected medicine is spilled, please wipe it with a wet rag.

3. Please wash your skin carefully after handling the agent.

4. Please clean the work clothes worn when operating chemicals.

## About potions

1. It is recommended to use the agent recommended by the manufacturer.

2. If you have any other questions, please contact the pharmaceutical manufacturer.

## Precautions

1. Regarding the order of use of chemicals, please disinfect before cleaning. Wrong order or using only one of them will reduce cleaning and disinfection effectiveness.

2. Please do not eat, drink or smoke when using the medicine.

3. Please stir the medicine and normal temperature water thoroughly to dissolve and then pour it into the equipment.

4. Please open the ice guide plate cover a little and slowly pour the dissolved medicine into the sink. Please keep the medicine from spilling during the pouring process.

5. When it is inconvenient to put in the medicine, tools such as funnels can be used to assist the input.

6. The auxiliary tools used to put in the medicine must be clean and free from dirt, oil stains and other unclean things.

7. When the injected liquid drops hang on the ice machine, please wipe them clean with a rag to prevent corrosion.

## Cleaning and disinfection step

Please perform cleaning and disinfection in the following step.

Order of use	Type of medicine	Use
1	Descaling agent (citric acid concentration range 60~100%)	Clean
2	Disinfectant (effective chlorine concentration 3~3.8%)	Disinfect

### (1) Cleaning

Step 1: After all the ice cubes have slipped away at the end of the de-icing cycle, disconnect the power supply and water supply, open the refrigerator door, remove the front frame, and take out all the ice cubes.

## Notice

Do not use tools to peel off the ice on the evaporator, otherwise the evaporator may be damaged.

Do not use any alcohol-based liquids to clean or disinfect the ice machine, as this may cause cracks in the plastic parts.

Drain the water from the sink. Mix in a suitable container in a 1:10 ratio of detergent and water to assist in dissolution, and pour it into the ice maker sink. Press and hold the "THICK" button for 5 seconds in standby mode to start the self-cleaning program, which takes about 30 minutes. After the self-cleaning process is completed, turn off the ice machine power.

Step 2: Open the drain outlet of the sink, drain the water in the sink and pipes, and then remove the ice shield, water pump pipe, water distribution pipe, sink, etc. inside the unit.

Step 3: Use a soft brush, sponge or cleaning cloth soaked in neutral detergent to carefully clean the surface of the removed parts (water pipes including the inner surface). Then rinse with clean water.

Step 4: Since the ice tray, water pump, and float components cannot be disassembled, please wipe and clean them with a soft brush, sponge or cleaning cloth soaked in neutral detergent, and then fill a watering can with clean water.

Note: To clean the water distribution pipe, the inner pipe must be removed, cleaned with a soft brush, sponge or cleaning cloth soaked in neutral detergent, and then rinsed with clean water.

Only parts such as the pump motor and float assembly should be cleaned in the water circulation part. Electrical parts cannot be immersed in the cleaning agent, so please be careful to avoid them.

The detergent used for cleaning must be food grade or a detergent recommended by the manufacturer.

Some solutions may damage the surface of the ice machine liner or corrode metal parts. Cleaning fluid should be removed at all times unless otherwise specified by the manufacturer.

### **(2) Disinfection**

Step 5: Pour 10 liters of water into a suitable container, then add 50 ml of 5.25% sodium hypochlorite solution or the disinfectant recommended by the manufacturer and mix. Immerse the removed parts (ice baffle, water pump pipe, water distribution pipe, water tank) in the disinfectant for about 3 minutes.

Since the ice tray, water pump, and float components cannot be disassembled, use a spray bottle to fill the prepared disinfectant solution and spray the corners that are not easily accessible with the cleaning cloth.

Note: Do not immerse electrical components in disinfectant when disinfecting the pump motor.

Step 6: Use a clean sponge or rag soaked in the solution to wipe the liner and door of the refrigerator.

Step 7: After disinfection, please fill the water bottle with clean water and rinse thoroughly to confirm that no disinfectant remains.

Step 8: Install the dismantled parts in the reverse order of disassembly, and finally close the refrigerator door to restore water and power supply.

Steps: After starting the ice machine, take out all the ice cubes from the first three blocks and discard them. Cleaning is complete.

Note: **When you only need to disassemble the sink for cleaning, you can just disassemble the sink for cleaning.**

#### 4. Air filter and condenser cleaning

Plastic mesh air filters filter out dirt or dust from the air and prevent the condenser from clogging. If the filter becomes clogged, the ice machine's performance will decrease. Please remove and clean the air filter at least twice a month:

Step 1: Pull out the air filter from the filter guide.

Step 2: Please use a vacuum cleaner to clean the air filter. If the air filter is severely clogged, clean the filter with neutral soapy water or detergent to ensure that the mesh is not blocked by dust or dirt.

Step 3: Rinse and dry the air filter thoroughly

Step 4: For the condenser of the air-cooled ice machine, use a soft brush or a vacuum cleaner with a brush to scrub the condenser fins up and down along the direction of the fins at least once every six months to avoid damaging the condenser fins and affecting the cooling effect.

<b>Notice</b>
The condenser should be cleaned regularly, otherwise it will lead to reduced ice production and malfunction.
If there is oil on the condenser heat sink, you can use a special cleaning agent to clean it in a certain proportion.
Do not bend the radiator fins when cleaning the condenser. If you find any bent or deformed radiator fins, straighten them. The radiator fins are very sharp, so be careful not to get scratched.
Do not touch the condenser fins directly with your hands, as this may cause injury.
After cleaning, be sure to replace the air filter.

**Note: Some models are not equipped with air filters. Generally, the condenser should be cleaned once every 1-2 months.**

#### **Before contacting service personnel:**

If there is a problem with your machine, please confirm the content before contacting:

1. Is the water source of the ice machine normal?

The inspection method is to loosen the water inlet (6 tap) of the ice maker on the back of the machine. When it is loosened to a certain extent, water will leak out. When the water leaks out for a long time, the water source is normal, otherwise it means there is no water.

2. Is the ice maker connected to the power?

The ice machine produced by our company is fully automatic and does not require manual operation. Therefore, some models do not have a power switch. Please ask professionals to judge whether the machine is powered on.

3. The model and number of the ice maker

There is a nameplate on the rear panel of the machine, please check and record by yourself

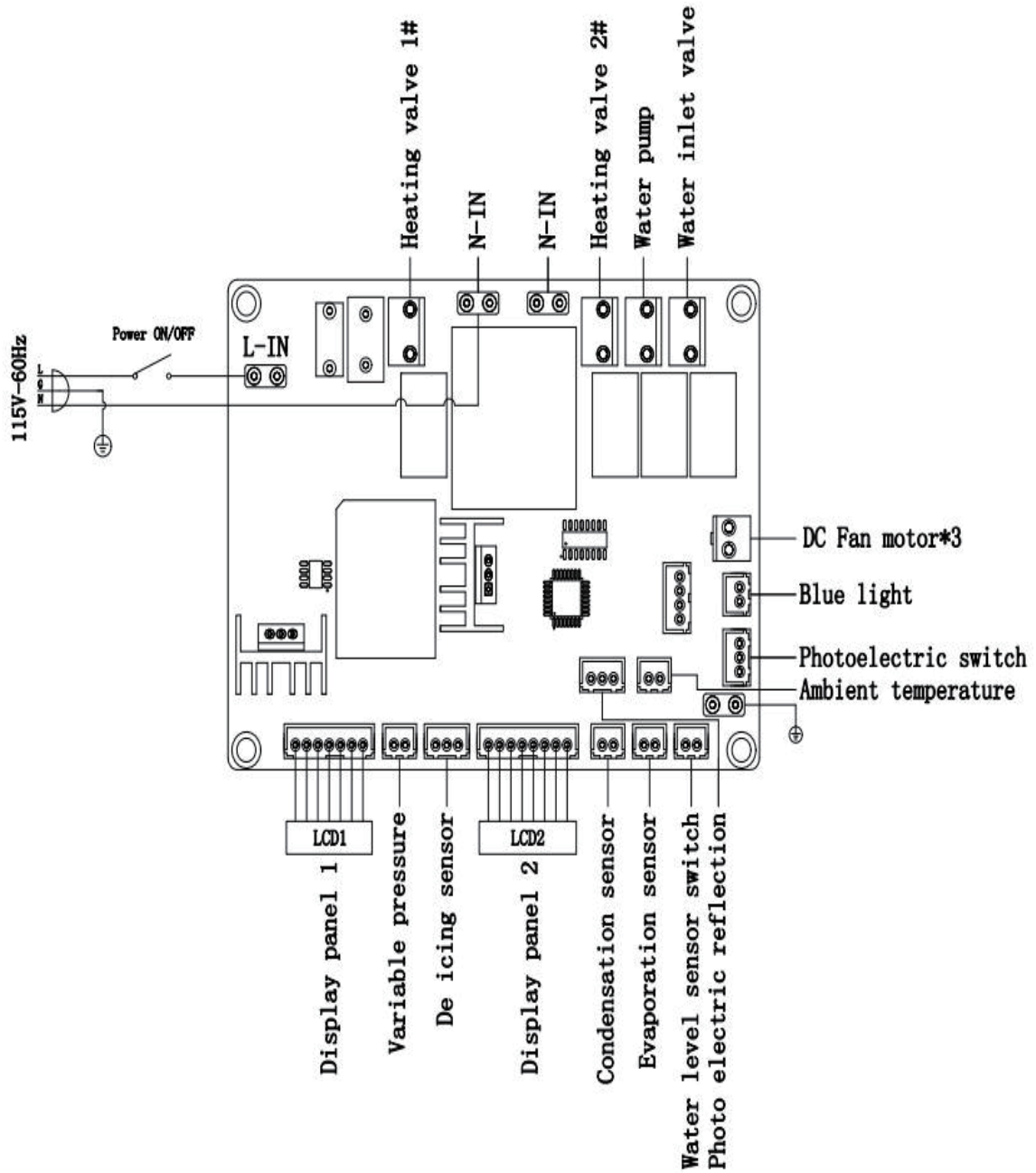
# VI. Troubleshooting instructions for this series of ice machines

If there is a problem with your ice machine during operation, please check the troubleshooting table below before calling the service department:

## Common faults and solutions

Fault	Possible reasons	Inspect the following areas for damage
Machine doesn't work	The ice maker is not connected to the power supply or water source	1. Socket 2. Power socket 3. Fuse wire 4. Mother board 5. Water switch
Full of ice but no ice	Ice baffle in open position	1. Whether the ice baffle is free to rotate 2. Whether the ice full switch or the line falls off
Deicing timeout Do not deice when the ice falls	Ice cube dirty	Clean and disinfect the ice machine
	Machine is not balanced	Put the ice maker flat
	Ambient temperature is too low	The ambient temperature is at least 5 ° C
	The solenoid valve has a problem	Change the solenoid valve
	The ice thickness is not adjusted properly	Refer to "Ice Thickness Adjustment"
Always show add water	Sink level is too low	Check the water level for leaks
	Water inlet valve does not work	Check the water inlet valve is damaged
	Insufficient water pressure	Water pressure must be 0.13-0.55Mpa
	Water obstruction	Check Water pipes and joints are stained
Ice making is over time or too slow	Condenser is dirty	Clean the condenser
	The ambient temperature is high and debris blocks the ventilation	The ambient temperature should not exceed 38 ° C. Remove the debris and ensure ventilation
	Compressor is not started	1. Whether the compressor cable is connected properly 2. Whether the capacitor is damaged
	Water inlet valve can not be completely closed, leakage	Clean or replace the water inlet valve
High temperature fault	ADSL (Poor heat dissipation)	1. Whether fan is damaged 2. Whether the ring temperature is too high 3. Whether the air outlet is blocked
The evaporation or condensation sensor is faulty	Sensor of evaporation or condenser is damaged	Change sensor
Water depletion	Incorrect float detection or no water in the sink	1. The sink not enough water, check whether filling with water is normal 2. Whether the float is stuck 3. Float assembly is too high.

# VII. Circuit diagrams



## Warranty card

Sales information	User information	
Dealer:	User name:	
Contact:	Model:	
Telephone/fax:	Date of purchase:	
Mobile phone:	Mobile phone:	
Notice:		
1. Please keep it properly and read this card carefully as soon as possible.		
2. It is strictly forbidden to change the power phase by yourself to prevent serious equipment failure.		
3. Please check the power supply regularly to ensure the reliable connection of the ground wire and prevent phase loss or excessively high and low voltage.		
4. Please keep the exterior clean, ensure a good use environment, and regularly check the operating conditions of the equipment.		
5. The maintenance service guarantee will be canceled when the following actions occur:		
A. Subject to abnormal use, improper storage and handling, the temperature is too high or too low, and it is exposed to a humid environment.		
B. Unauthorized modification and repair, misuse, abuse and wrong adjustment.		
6. After the equipment is abnormal, please immediately notify the equipment supplier .		
Maintenance Service Warranty Card (copy)		
Name of user:	Contact number:	Product Model:
Address:		
Factory Number:	Date of purchase:	
Maintenance date:	Maintenance signature:	
Cause of failure and test result:		