

ASSEMBLY INSTRUCTIONS



READ THIS MANUAL

Do not use this product until you read and understand the instructions in this manual.

KEEP THIS MANUAL FOR FUTURE REFERENCE.

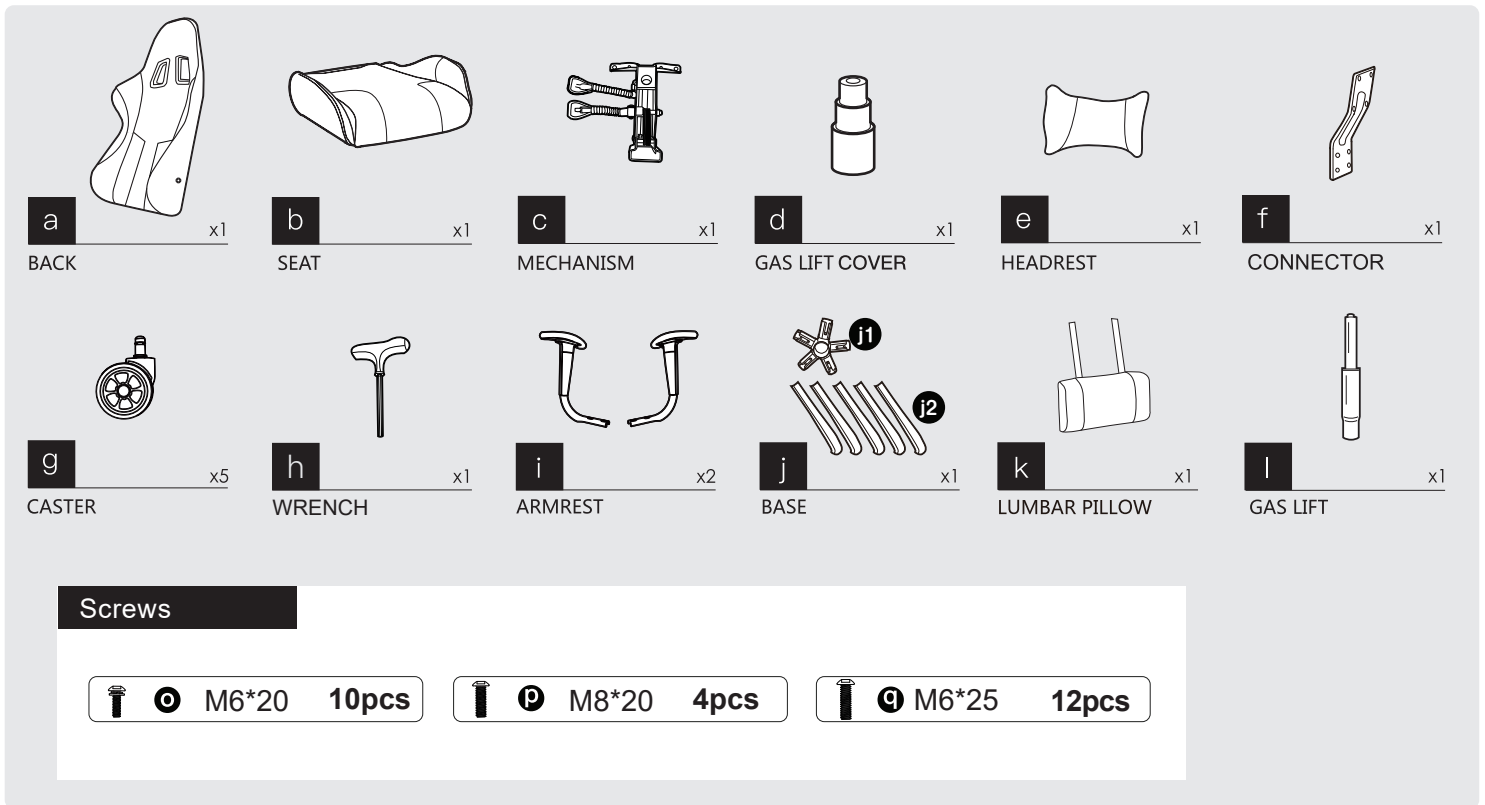
This manual is intended for installation and use. The pattern should be subject to the product you receive.

If you have any questions about the product, please contact us through the contact information on the left. We will try our best to solve your problem within 24H (except weekends and holidays).

01 Check Various Accessories

Details of accessories

Please check and ensure all the things are in the package.
Please contact us for help if something is not included.

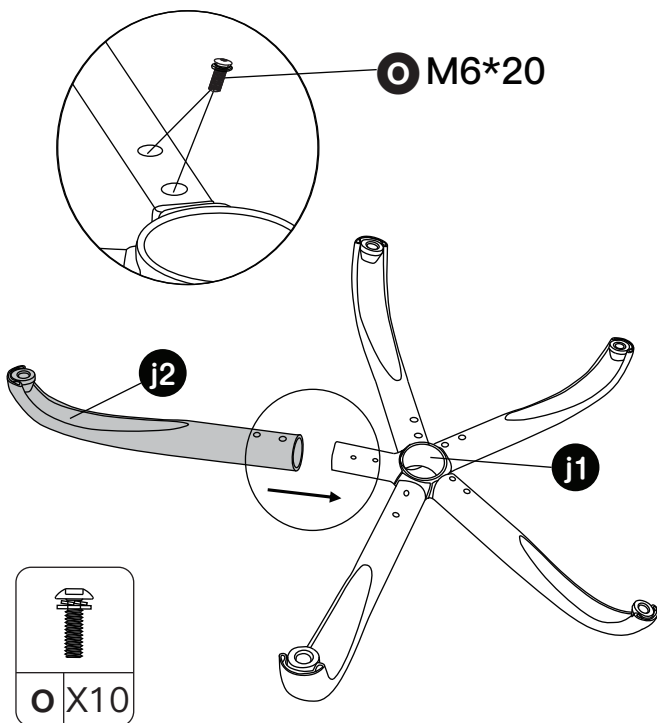


02 Instructions Before Using

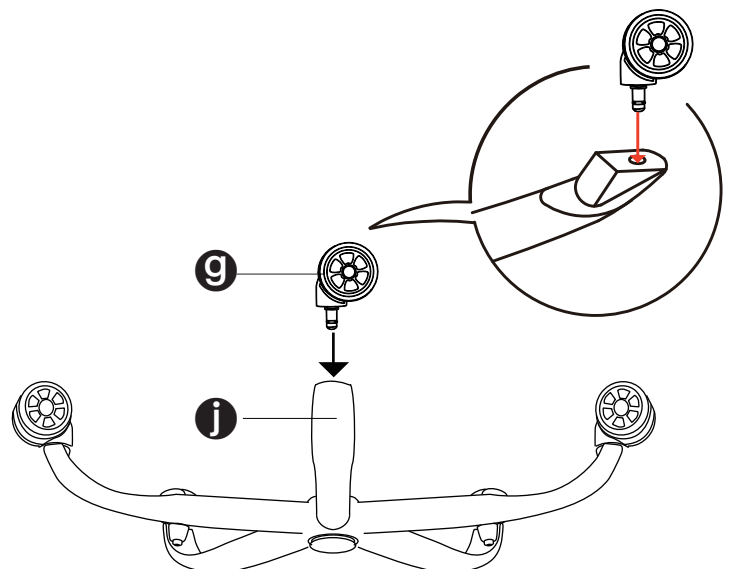
Chair Installation

Please keep the original box in case you might need to return or replace the product.

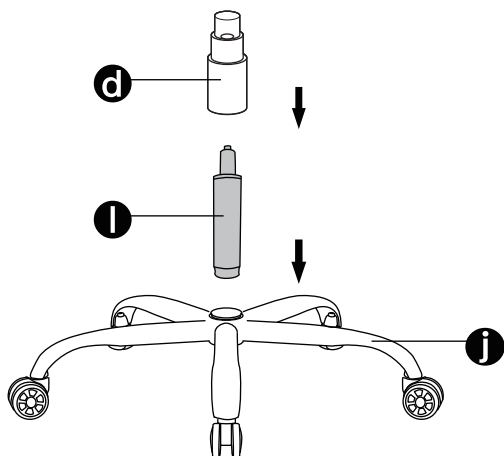
1 Combine j1 and j2 with screws (10pcs).



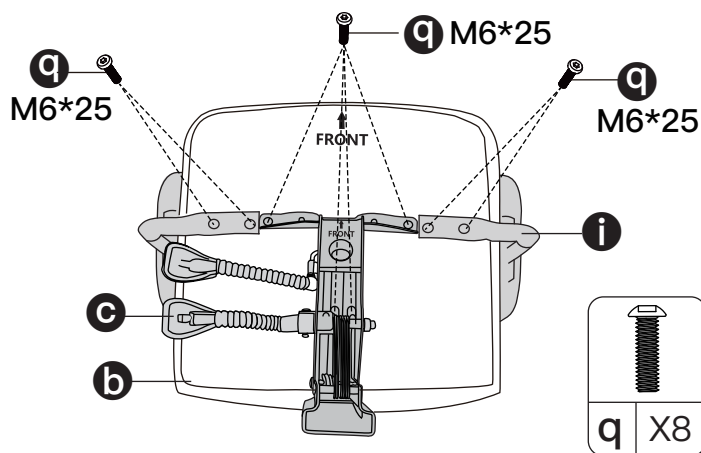
2 Install the casters.



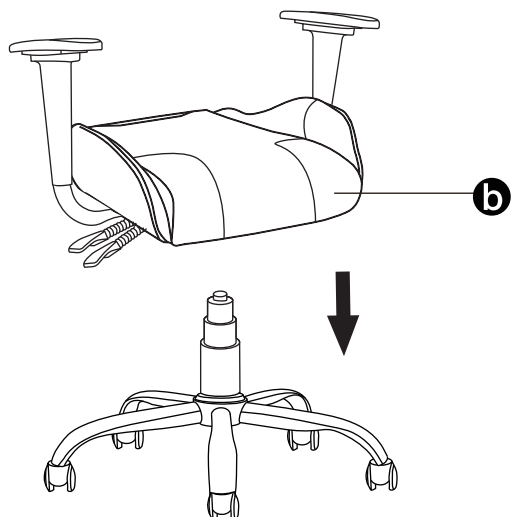
3 Install the gas lift and the gas lift cover.



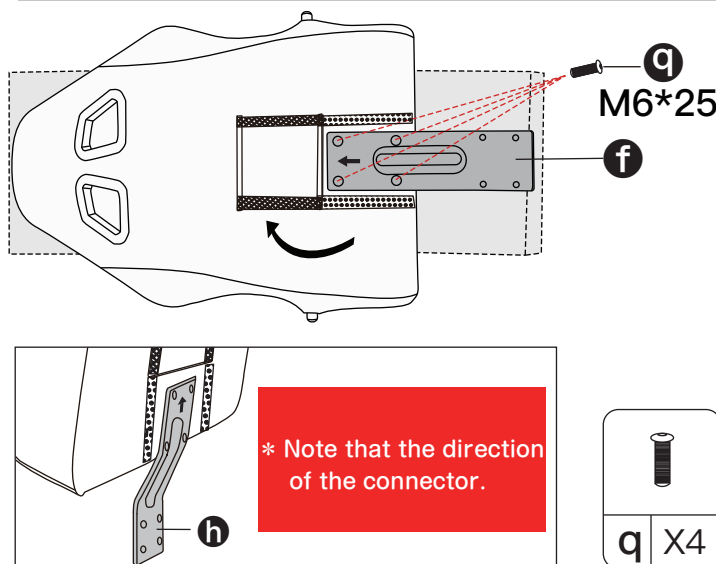
4 Install the mechanism and the armrests.



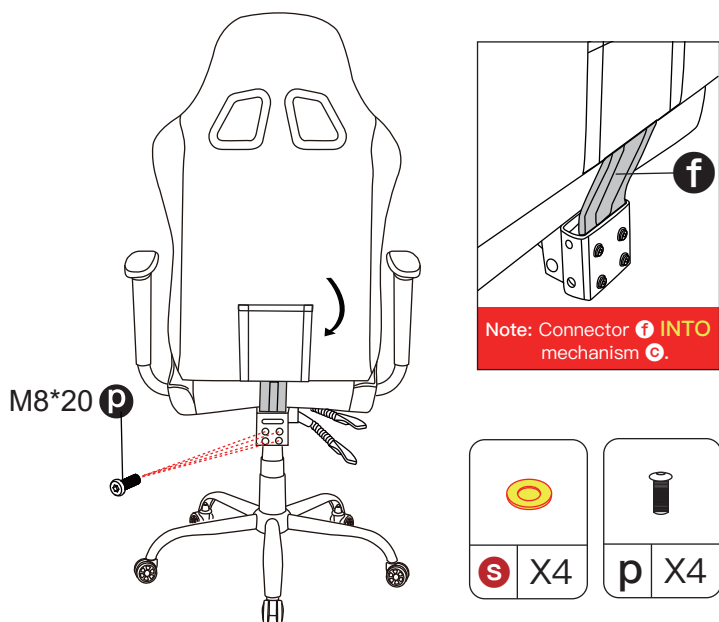
5 Place the seat on the gas lift.



6 Install the connector on the chair back.



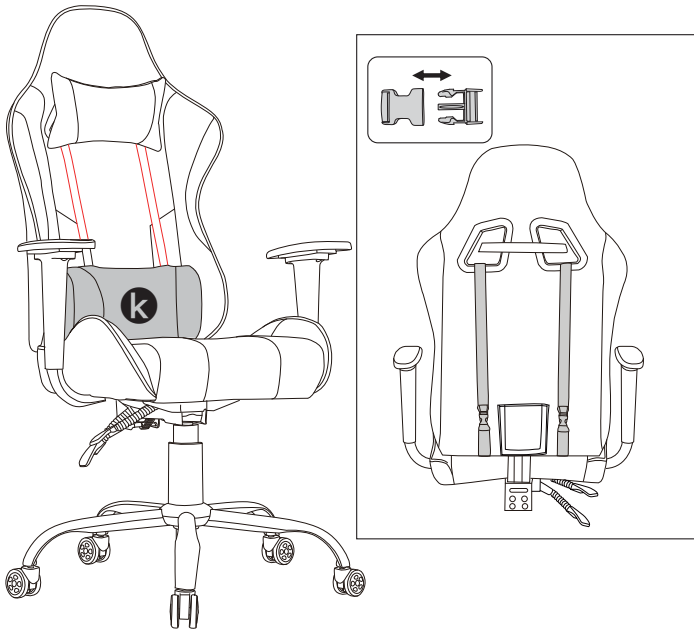
7 Install the connector into the rear end of mechanism.



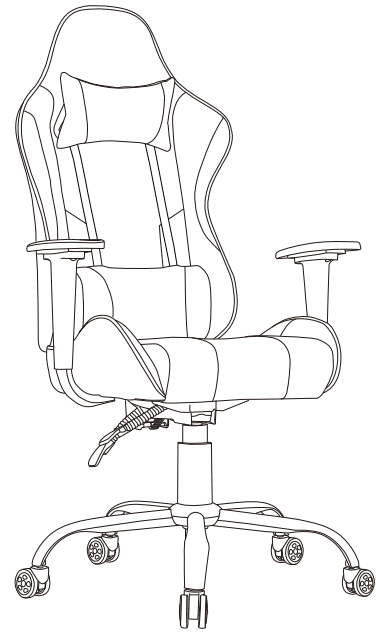
8 Attach the headrest.



9 Attach the lumbar pillow.



10 Assembly is complete.



Frequently Asked Questions :

Q: Why do I hear a creaking sound after using it for a period of time?

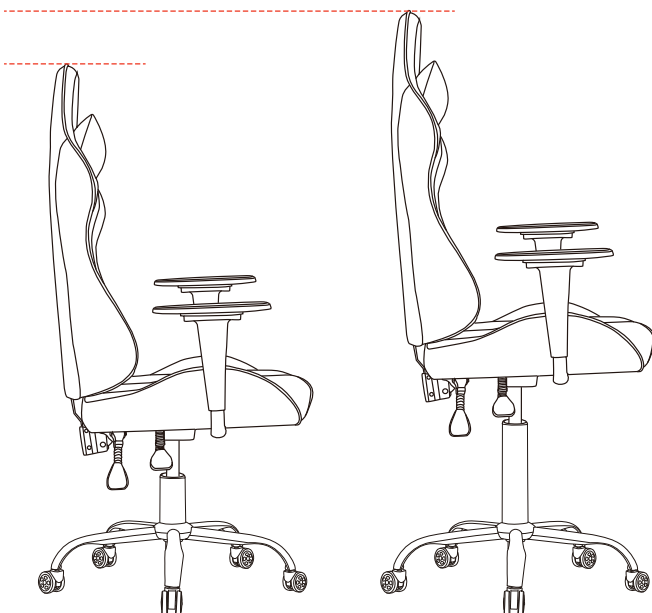
A: The mechanism may not fit the seat base. If you hear a creaking sound, please remove the mechanism and reassemble again. Please ensure all the screws are securely tightened.

03

Instructions For Use

Functions Display

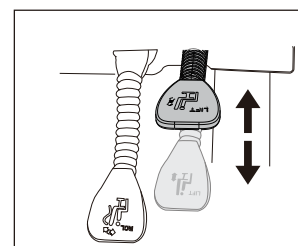
Please read the function introduction carefully.



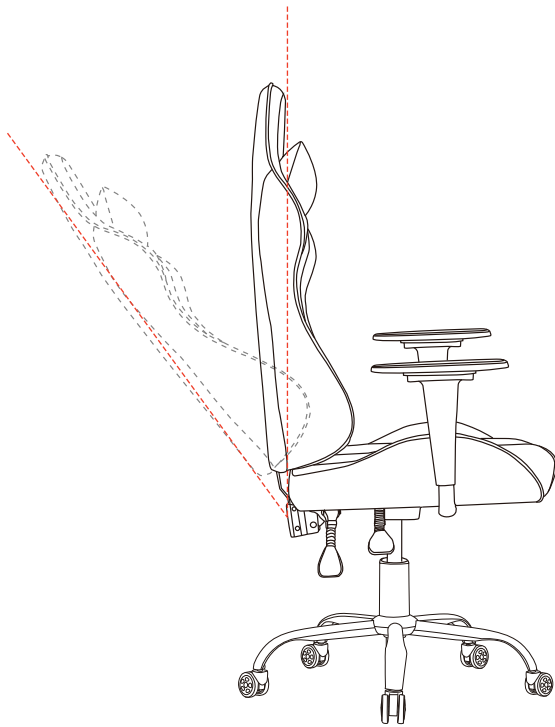
A Height Adjustment

Lift up the "LIFT" lever to adjust the height of chair, and release the "LIFT" lever at a desired height.

Lift body slightly off the seat when adjusting the height.



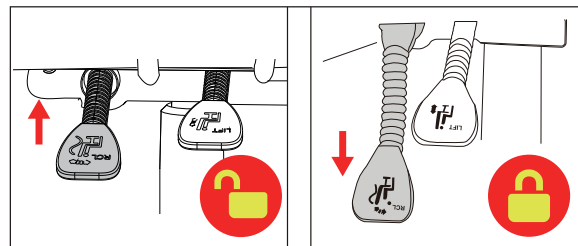
B Back Recline Function



Lift up the “RCL” lever and the back angle tilts independently with user's motion.

Push down the “RCL” lever and the back angle is locked in position.

Rest on the back when resetting back to its normal position, otherwise the back may rebound rapidly.



SAFETY INFORMATION

- Use this chair for seating only one person at a time.
- ☒ DO NOT stand on the chair, DO NOT use the chair as a stepladder.
- ☒ DO NOT use the chair unless all screws are firmly secured.
- ☒ Avoid contact with sharp objects to prevent puncturing the fabric.
- ☒ Every 6 months, check all screws to ensure they are all tight.
- ☒ To clean, spot clean only needs a damp towel and mild cleaner, first test on a small obscure area of fabric.

Dear Customer,

Thank you for choosing us.

Has been implementing its brand and design concept “BE COOL BE FREE”, GTPLAYER is dedicated to enriching gaming and shopping experience for customers.

For safe use, please read this manual before installation, and keep it for after use. Please feel free to email us if you have any concerns about our products. We'll reply within 24 hours.

The following are the things you need to pay attention to so that we can provide you with services when you encounter problems during the installation and use of the product:

- When the product is damaged due to courier problems, please contact our customer service in time for verification.
- We will rectify the issue as soon as possible;
- We give a 2-year quality assurance.

We offer product explanations, installation instructions, product maintenance and maintenance methods.

If you feel satisfied with our product and service,

- Please set our store as your favorites;
- Please recommend our products to your friends;
- Please leave us your purchase experience in our store or product page.

Feedback or reviews from you will greatly help us offer better services to players around the world.

Best regards!

*** ATTENTION! During installation, DO NOT tighten all the screws completely until all the screws are fixed in the correct position.**



If you have any questions about the product, please contact us through the contact information on the left. We will try our best to solve your problem within 24H (except weekends and holidays).