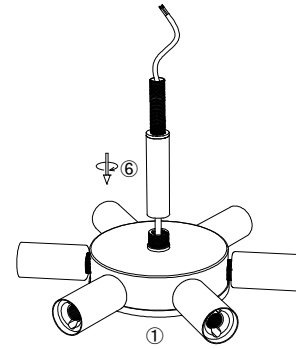
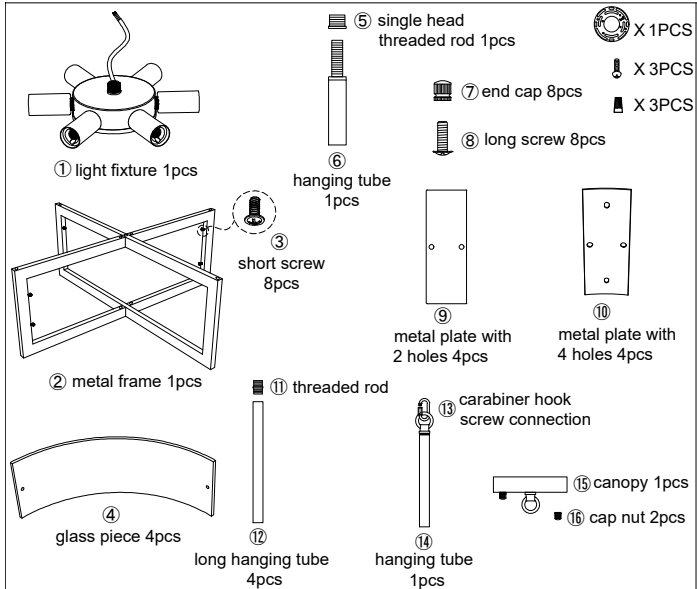
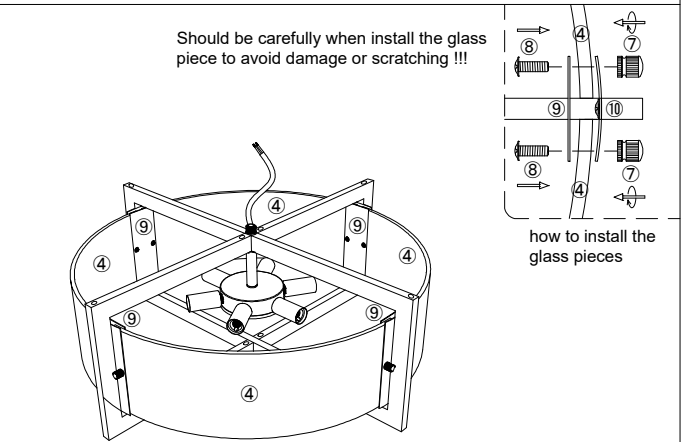
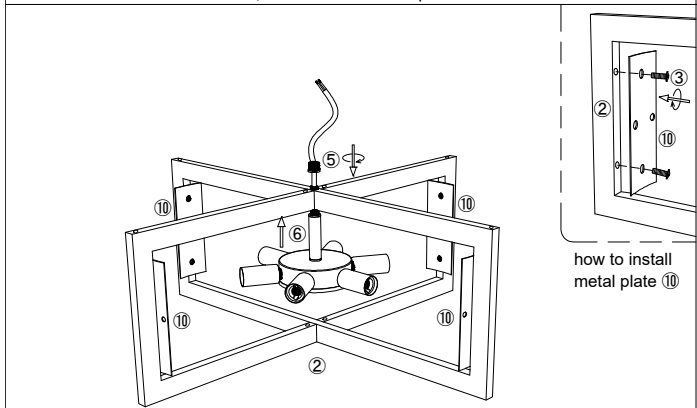


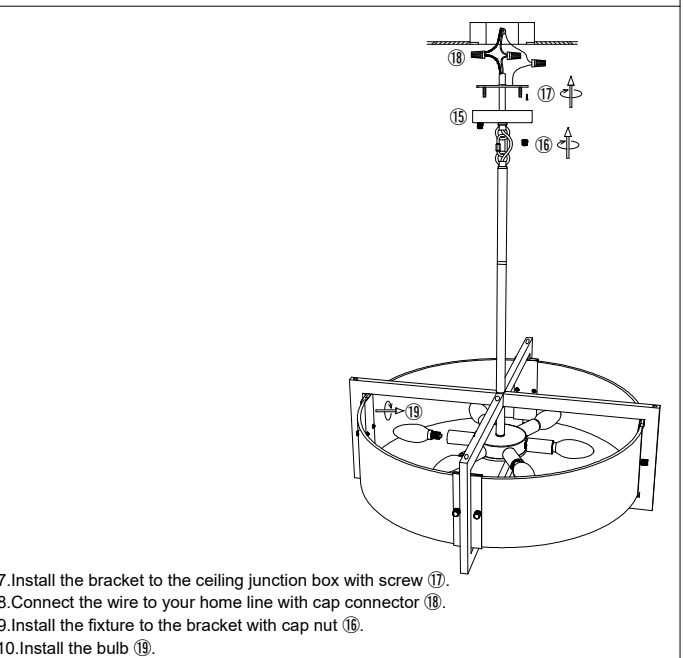
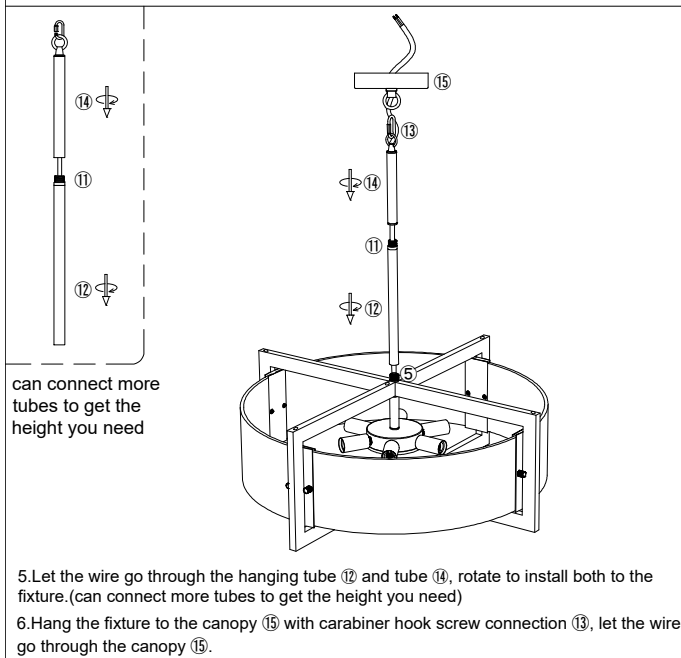
Installation & Assembly



1. Let the wire of the fixture ① go through the hanging tube ⑥, rotate to install the tube ⑥ to the fixture.



4. Install the glass pieces ④ and metal plate ⑨ to the frame ② with screw ⑧ and end cap ⑦, please don't tighten the end cap ⑦ until all screws ⑧ are ready in the holes, adjust the position of glass pieces to make it straight, rotate to fasten the end cap ⑦ at last.



7. Install the bracket to the ceiling junction box with screw ⑰.
 8. Connect the wire to your home line with cap connector ⑱.
 9. Install the fixture to the bracket with cap nut ⑯.
 10. Install the bulb ⑲.

Please read carefully before installation!!!

Note : Please make sure that the electricity is powered off during installation !

Only a professional electrician should install this kind of product !