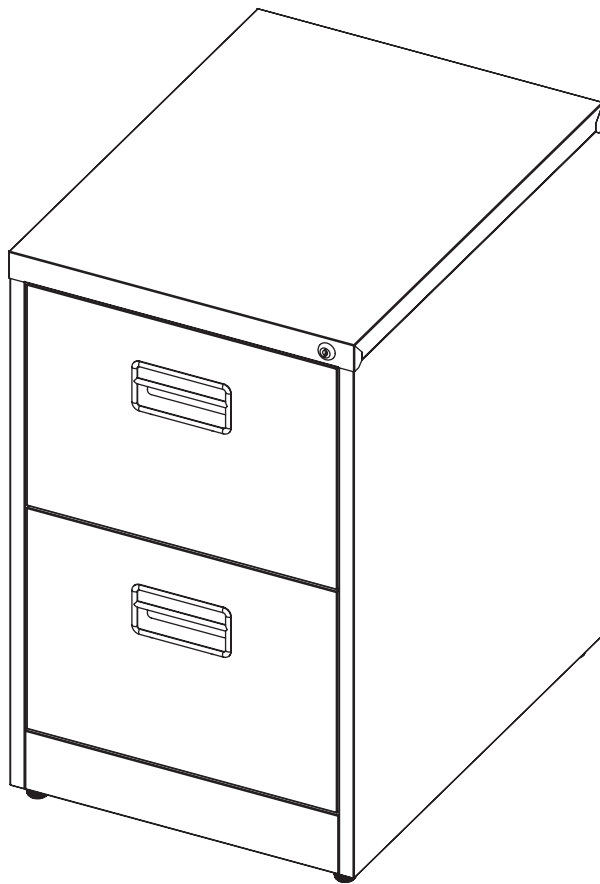
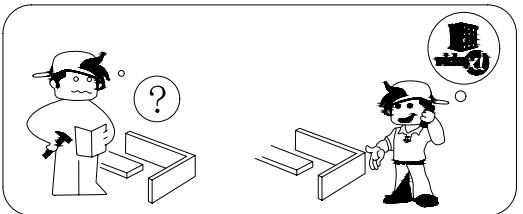
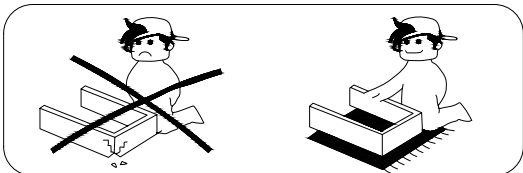
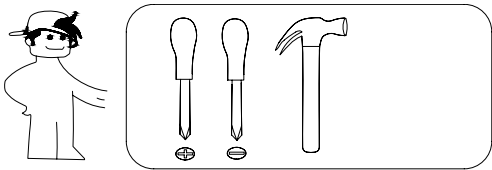
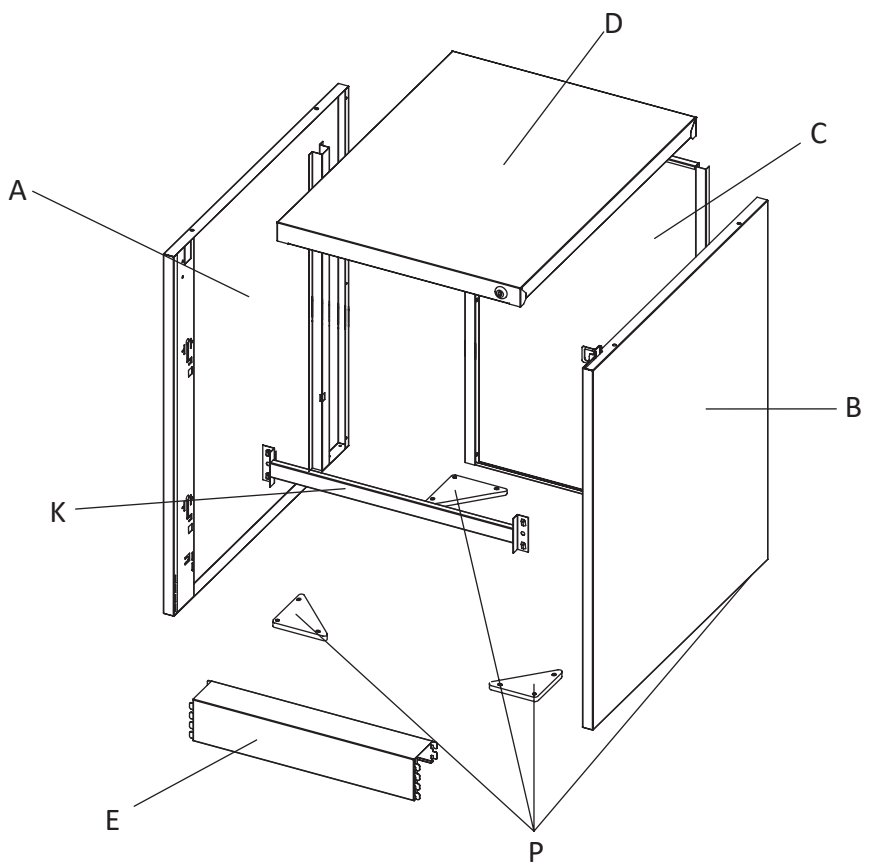
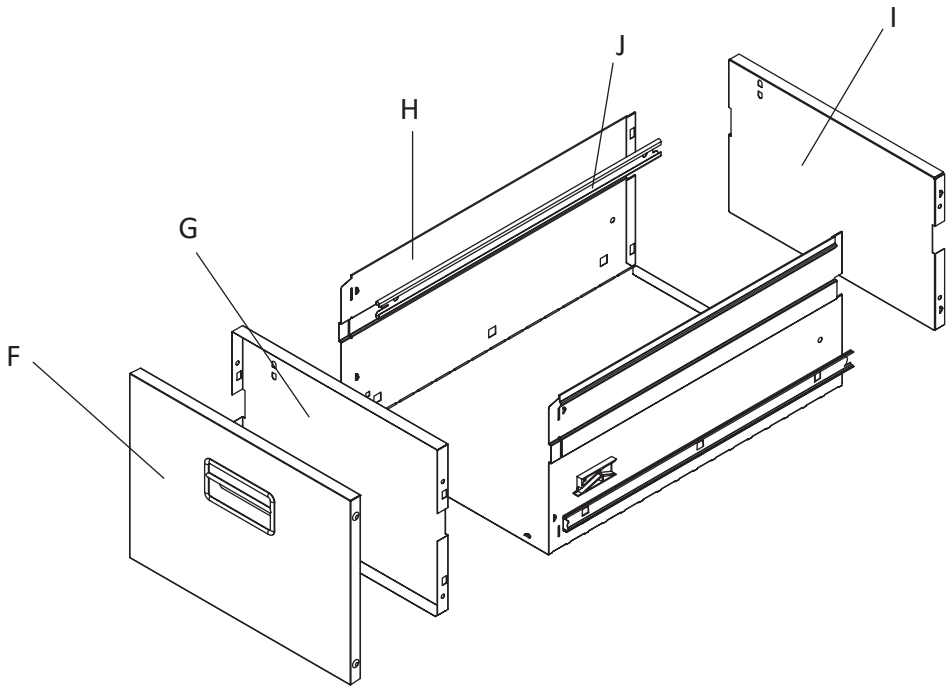
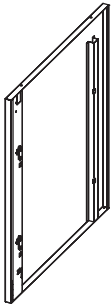
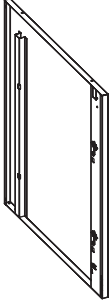
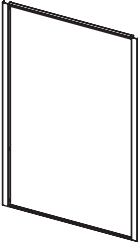
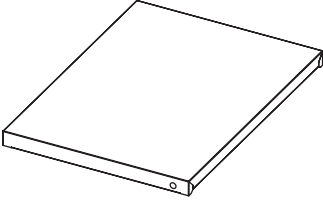

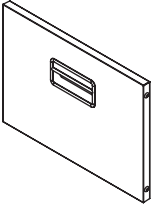
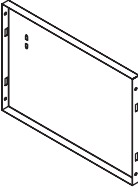
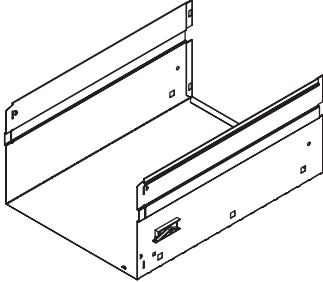
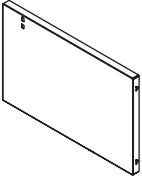
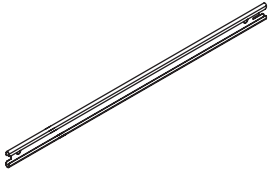

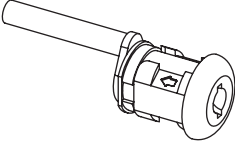
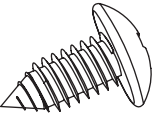
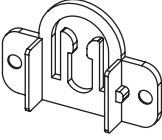
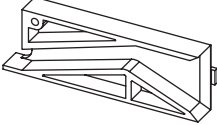
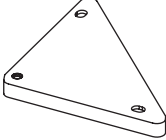
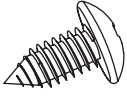
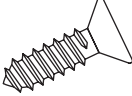
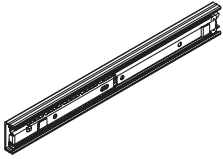
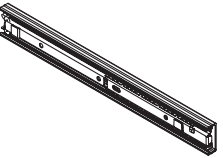
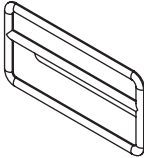


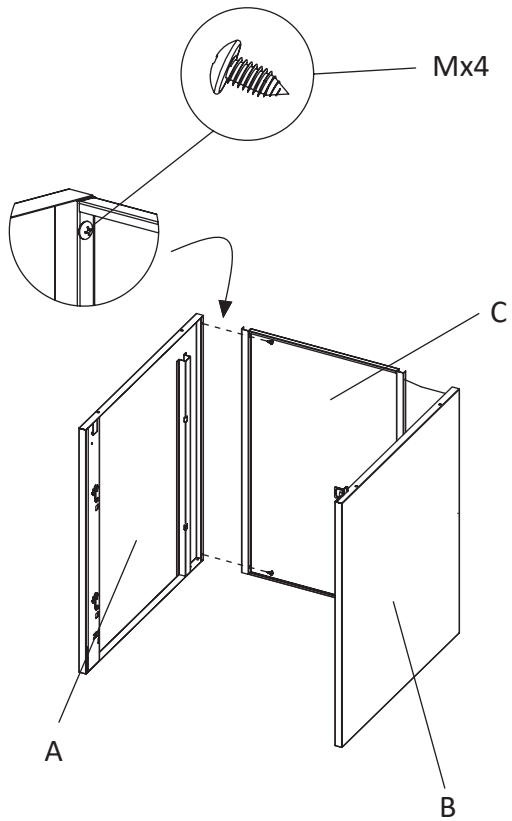
mm  
inch  
x2



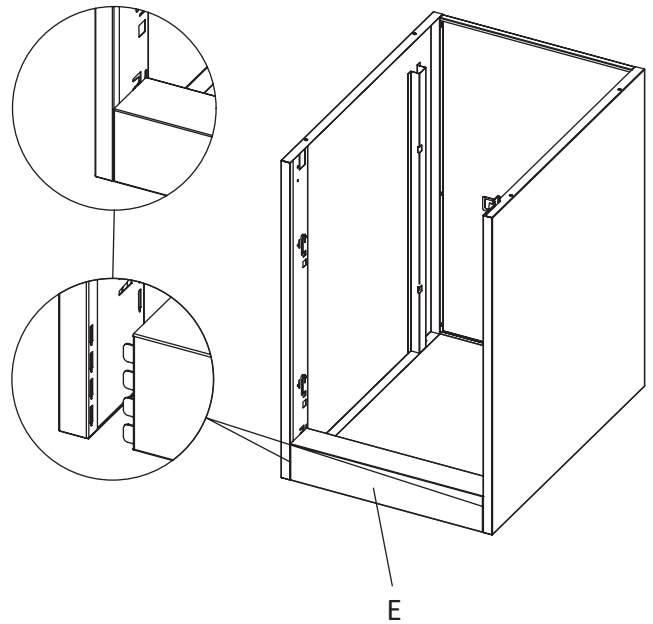


<p>A</p> 	<p>B</p> 	<p>C</p> 	<p>D</p> 
<p>E</p> 	<p>Fx2</p> 	<p>Gx2</p> 	<p>Hx2</p> 
<p>Ix2</p> 	<p>Jx2</p> 	<p>K</p> 	<p>Lx1</p> 
<p>Mx20</p>  <p>M5x <math>\frac{12}{0.5}</math></p>	<p>Nx1</p> 	<p>Ox2</p> 	<p>Px4</p> 
<p>Qx2</p>  <p>M4x <math>\frac{8}{0.3}</math></p>	<p>Rx2</p>  <p>M4x <math>\frac{16}{0.6}</math></p>	<p>Sx2</p>  <p>Tx2</p> 	<p>Ux2</p> 

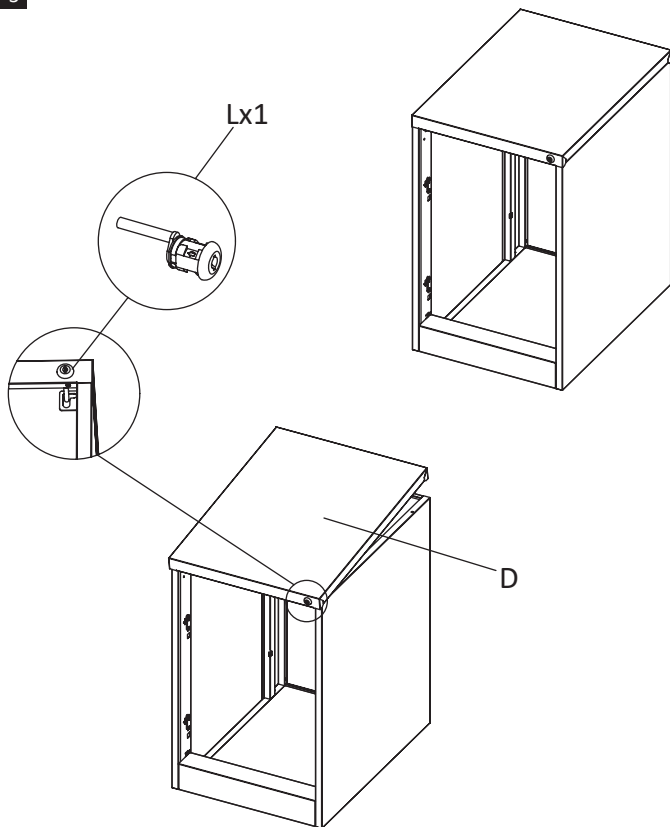
1



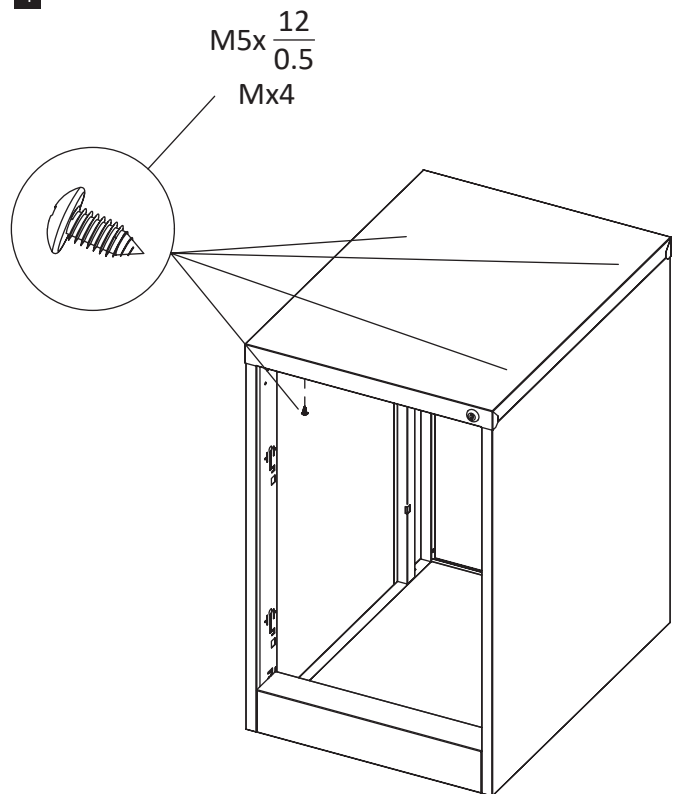
2



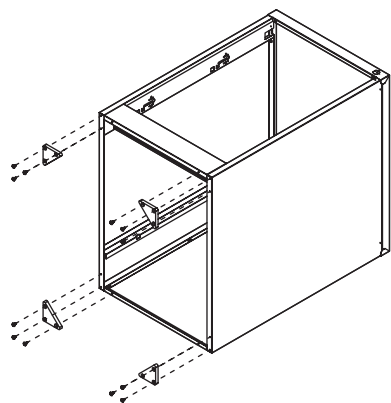
3



4



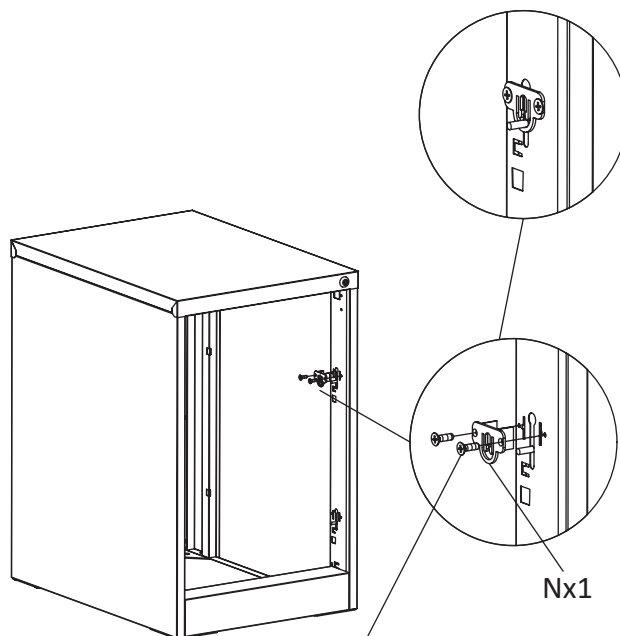
5



Px4

M5x  $\frac{12}{0.5}$   
Mx12

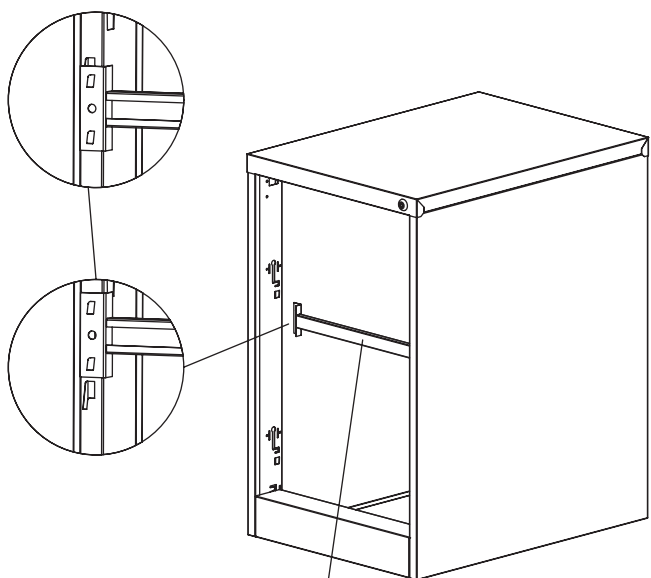
6



Nx1

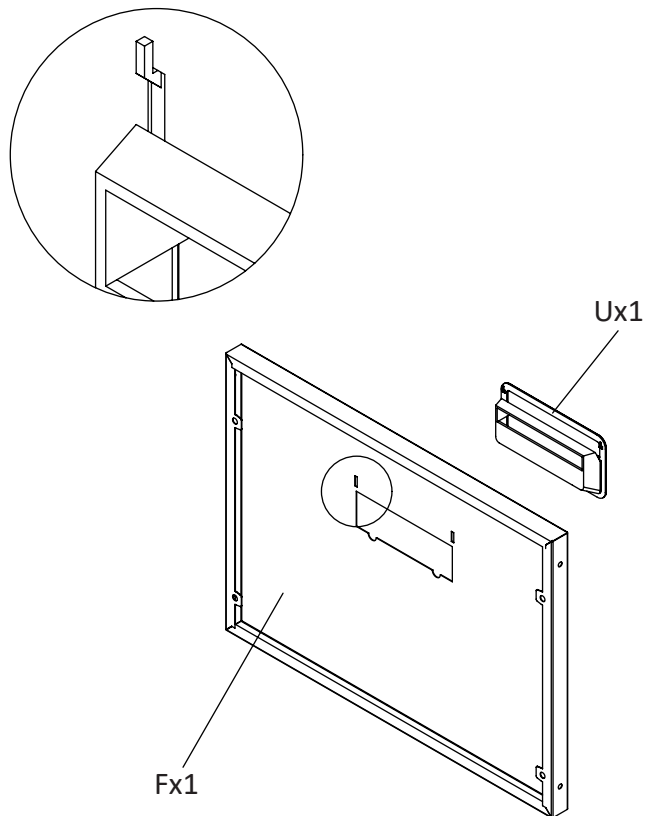
M4x  $\frac{16}{0.6}$   
Rx2

7



K

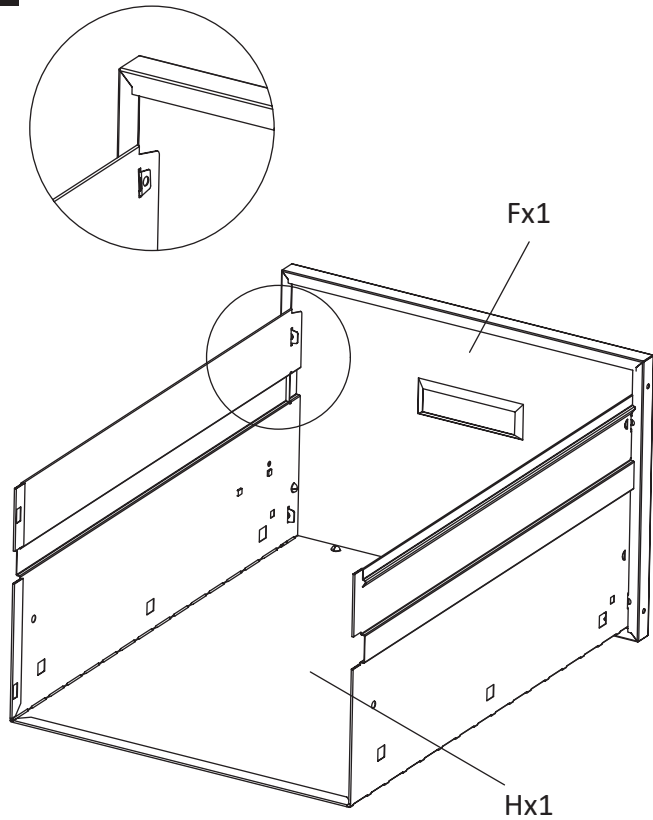
8



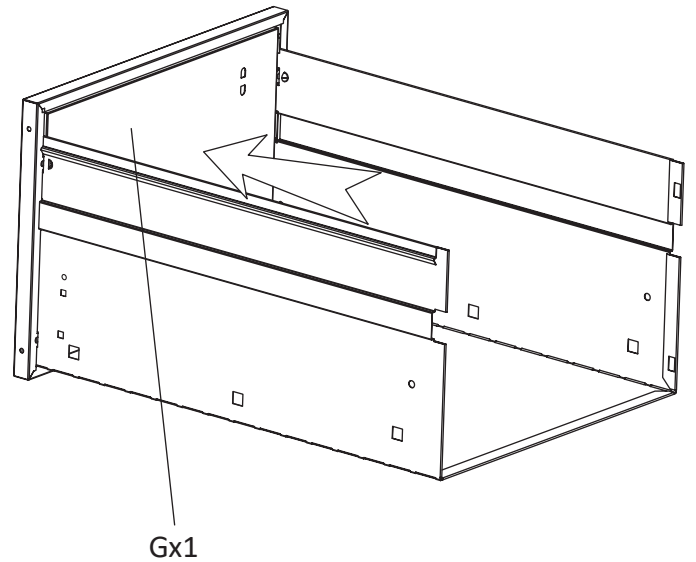
Ux1

Fx1

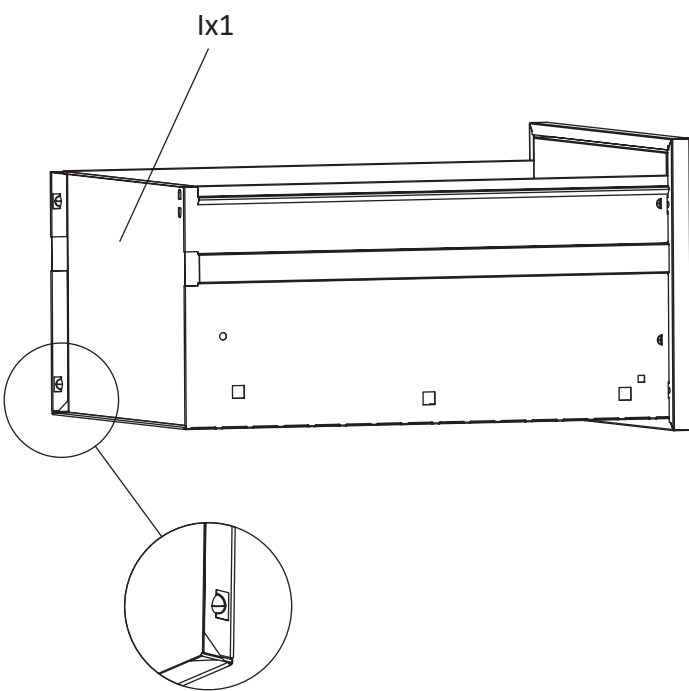
9



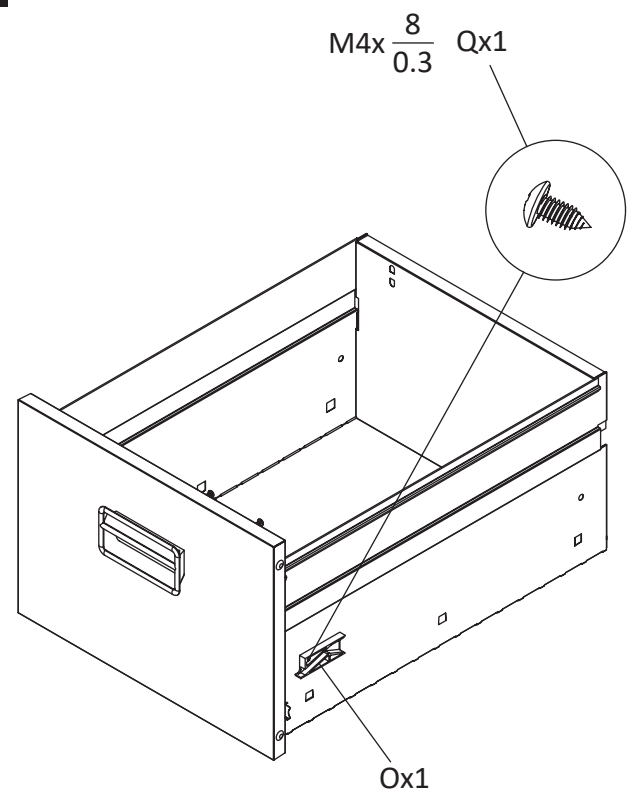
10



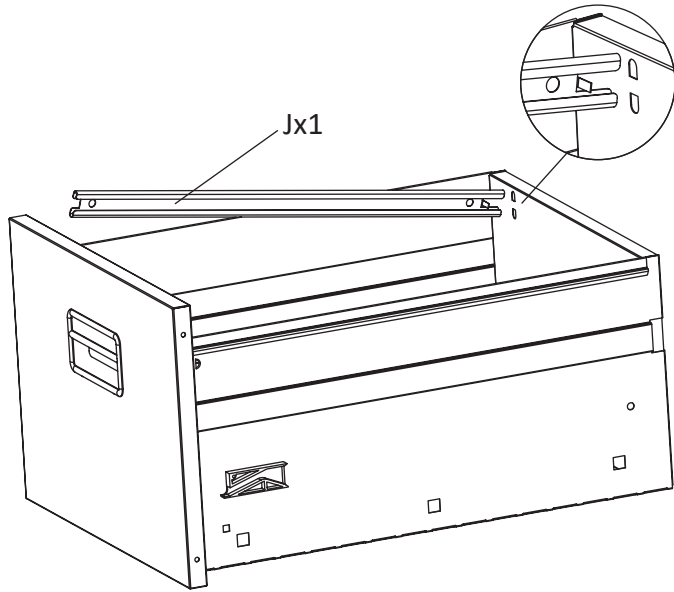
11



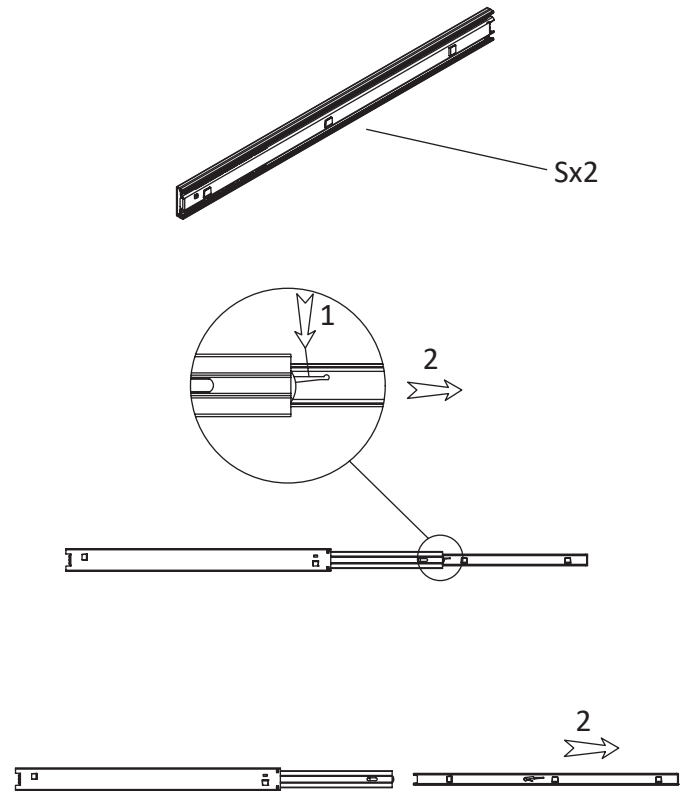
12



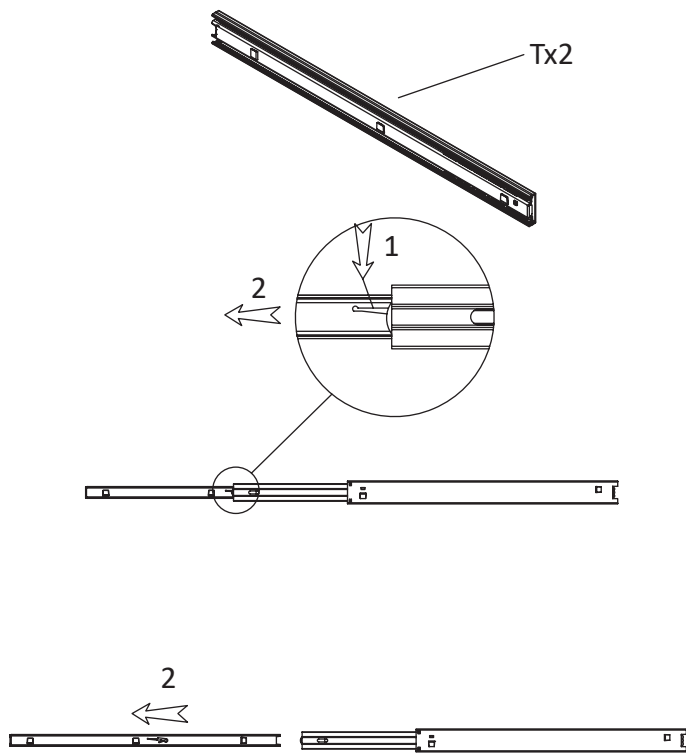
13



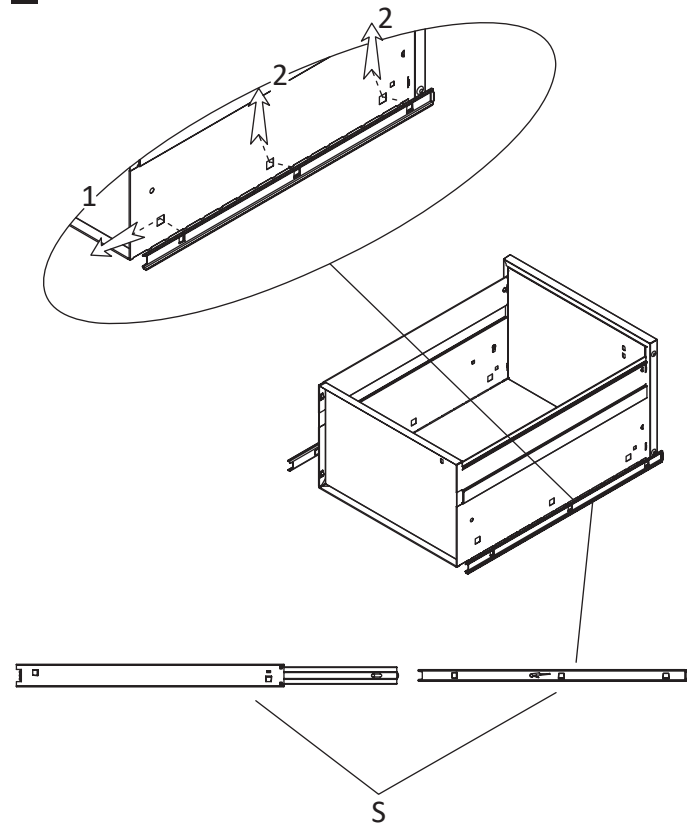
14



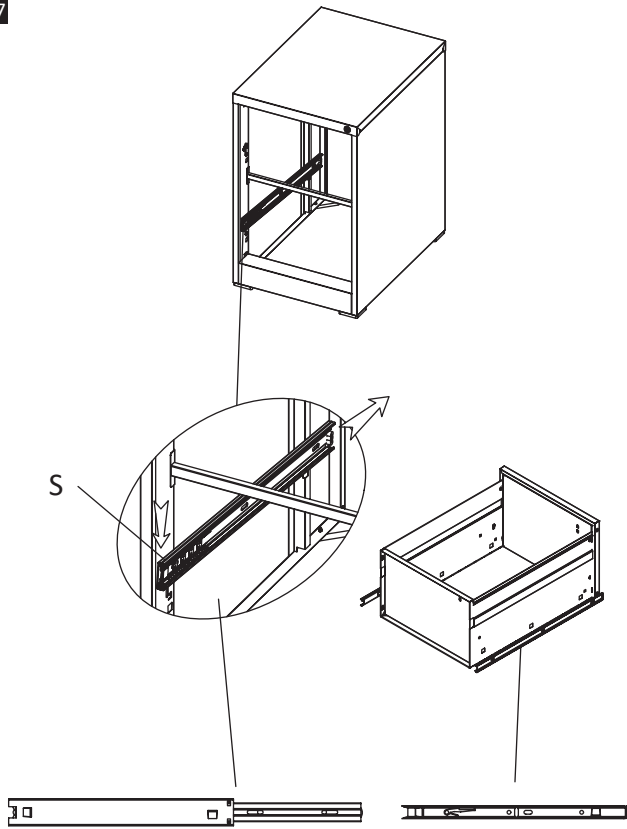
15



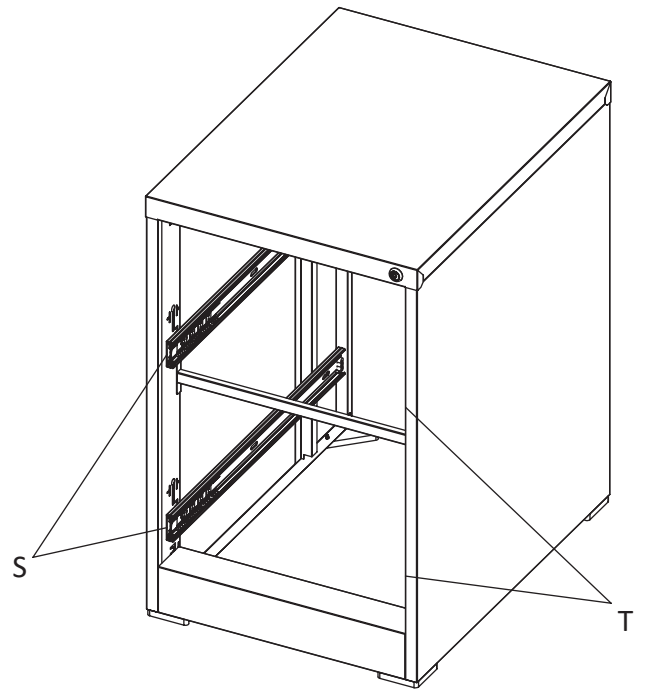
16



17



18



19

