

# RVA1288

## Mixing Bowl Platform

**RUVATI**<sup>®</sup>  
SPECIFICATION SHEET

**Material:** Sapele Wood / Stainless Steel

**Wood Platform Dimensions:**

17-1/4" (length) x 15-3/4" (width) x 1" (thick)

**Items Included:**

Solid wood platform, 5 quart mixing bowl, perforated colander, black plastic lid, slicer attachment, and 2 different size grater attachments

**Compatible with all LedgeFit Ruvati sinks**

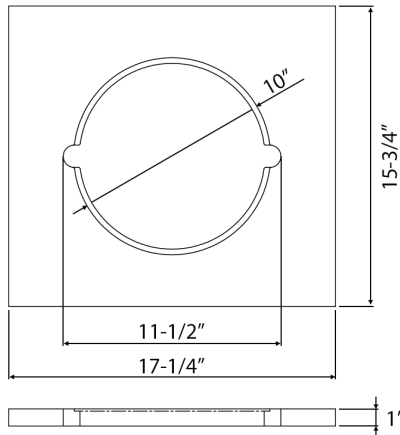



**Care Instructions:**

- Bowl, Colander and lid attachments are all dishwasher safe.
- Wood platform should only be hand-washed. Dry thoroughly after washing.

**Purpose:**

- **5 Quart Mixing Bowl:** Perfect for tossing salad, mixing batter or whipping cream.
- **Stainless Steel Colander:** Perforated colander is perfect for draining pasta or washing vegetables right on top of your sink.
- **Lid Included:** BPA-free plastic lid that fits tightly on both the mixing bowl or the colander allows you to easily store your leftover mix in the fridge.
- **Additional Attachments:** Perfect for slicing carrots or grating Parmesan onto tossed salads.



 California Prop 65 Warning:  
Cancer and Reproductive Harm



X002HXDU0V

**RUVATI USA**

[WWW.RUVATI.COM](http://WWW.RUVATI.COM)

SCAN TO REGISTER  
YOUR WARRANTY



PHONE: 1.855.478.8284  
EMAIL: [SUPPORT@RUVATI.COM](mailto:SUPPORT@RUVATI.COM)

[www.ruvati.com/register](http://www.ruvati.com/register)